

ANCONA

A decorative swirl graphic that starts from the left side of the page, loops around the 'A' and 'N' of 'ANCONA', and then spirals inward towards the 'O'.

USER INSTRUCTIONS

A large, light gray decorative swirl graphic that frames the central text. It starts from the left side, loops around the top and right, and then spirals inward towards the bottom right.

**MODEL:
CHEF BUILT IN
28" & 34"**

IMPORTANT SAFETY INSTRUCTIONS

**Carefully read the following important information regarding
installation safety and maintenance.**

Keep these instructions for future reference.



IMPORTANT SAFETY NOTICE



READ AND SAVE THESE INSTRUCTIONS

READ ALL INSTRUCTIONS BEFORE INSTALLING AND OPERATING THIS APPLIANCE

- The installation in this manual is intended for qualified installers, service technicians or persons with similar qualified background. Installation and electrical wiring must be done by qualified professionals and in accordance with all applicable codes and standards, including fire-rated construction.
- Range hood may have very sharp edges; please wear protective gloves if it is necessary to remove any parts for installing, cleaning or servicing.
- Activating any switch ON before completing installation may cause ignition or an explosion.
- Due to the size and weight of this range hood, two people installation is recommended.
- Before servicing or cleaning unit, unplug and disconnect the hood from the power supply.

WARNING: to Reduce The Risk Of Fire Or Electric Shock, Do Not Use This Fan With Any Solid-State Speed Control Device

WARNING: TO REDUCE RISK OF FIRE, ELECTRIC SHOCK, OR INJURY TO PERSONS, OBSERVE THE FOLLOWING:

- a) Use this unit only in the manner intended by the manufacturer. If you have questions, contact the manufacturer.
- b) Before servicing or cleaning unit, switch power off at service panel and lock the service disconnecting means to prevent power from being switched on accidentally. When the service disconnecting means cannot be locked, securely fasten a prominent warning device, such as a tag, to the service panel.

CAUTION: For General Ventilating Use Only. Do Not Use To Exhaust Hazardous Or Explosive Materials And Vapors.

WARNING: TO REDUCE RISK OF FIRE, ELECTRIC SHOCK, OR INJURY TO PERSONS, OBSERVE THE FOLLOWING:

- a) Installation work and electrical wiring must be done by qualified person(s) in accordance with all applicable codes and standards, including fire-rated construction.
- b) Sufficient air is needed for proper combustion and exhausting of gases through the flue (chimney) of fuel burning equipment to prevent back drafting. Follow the heating equipment manufacturer's guideline and safety standards such as those published by the National Fire Protection Association (NFPA), and the American Society for Heating, Refrigeration and Air Conditioning Engineers (ASHRAE), and the local code authorities.
- c) When cutting or drilling into wall or ceiling, do not damage electrical wiring and other hidden utilities.
- d) Ducted fans must always be vented to the outdoors.
- e) If this unit is to be installed over a tub or shower, it must be marked as appropriate for the application and be connected to a GFCI (Ground Fault Circuit Interrupter) – protected branch circuit.
 - USE ONLY WITH RANGE HOOD CORD CONNECTION KITS THAT HAVE BEEN INVESTIGATED AND FOUND ACCEPTABLE FOR USE WITH THIS MODEL RANGE HOOD.

WARNING-TO REDUCE THE RISK OF FIRE, USE ONLY METAL DUCTWORK

- Clean grease laden surfaces frequently. To optimize performance and to disperse air properly, make sure to vent air outside. **DO NOT** vent exhaust into spaces between walls, crawl spaces, ceiling, attics or garages.
- All electrical wiring must be properly installed, insulated and grounded.
- Old duct work should be cleaned or replaced if necessary to avoid the possibility of a grease fire.
- Check all joints on duct work to ensure proper connection and all joints should be properly taped.



IMPORTANT SAFETY NOTICE



READ AND SAVE THESE INSTRUCTIONS

READ ALL INSTRUCTIONS BEFORE INSTALLING AND OPERATING THIS APPLIANCE

WARNING: TO REDUCE RISK OF A RANGE TOP GREASE FIRE:

- a) Never leave surface units unattended at high settings. Boilovers cause smoking and greasy spillovers that may ignite. Heat oils slowly on low or medium settings.
- b) Always turn hood ON when cooking at high heat or when flambeing food (i.e. Crepes Suzette, Cherries Jubilee, Peppercorn Beef Flambé).
- c) Clean ventilating fans frequently. Grease should not be allowed to accumulate on fan or filter. Before servicing or cleaning unit, unplug and disconnect the hood from the power supply.
- d) Use proper pan size. Always use cookware appropriate for the size of the surface element.

WARNING: TO REDUCE RISK OF INJURY TO PERSONS IN THE EVENT OF A RANGE TOP GREASE FIRE, OBSERVE THE FOLLOWING^a:

- a) SMOTHER FLAMES with a close-fitting lid, cookie sheet, or metal tray, then turn off the burner. BE CAREFUL TO PREVENT BURNS. If the flames do not go out immediately, EVACUATE AND CALL THE FIRE DEPARTMENT.
- b) NEVER PICK UP A FLAMING PAN - You may be burned.
- c) DO NOT USE WATER, including wet dishcloths or towels - a violent steam explosion will result.
- d) Use an extinguisher ONLY if:
 - 1) You know you have a Class A, B, C extinguisher, and you already know how to operate it.
 - 2) The fire is small and contained in the area where it is started.
 - 3) The fire department is being called.
 - 4) You can fight the fire with your back to an exit.

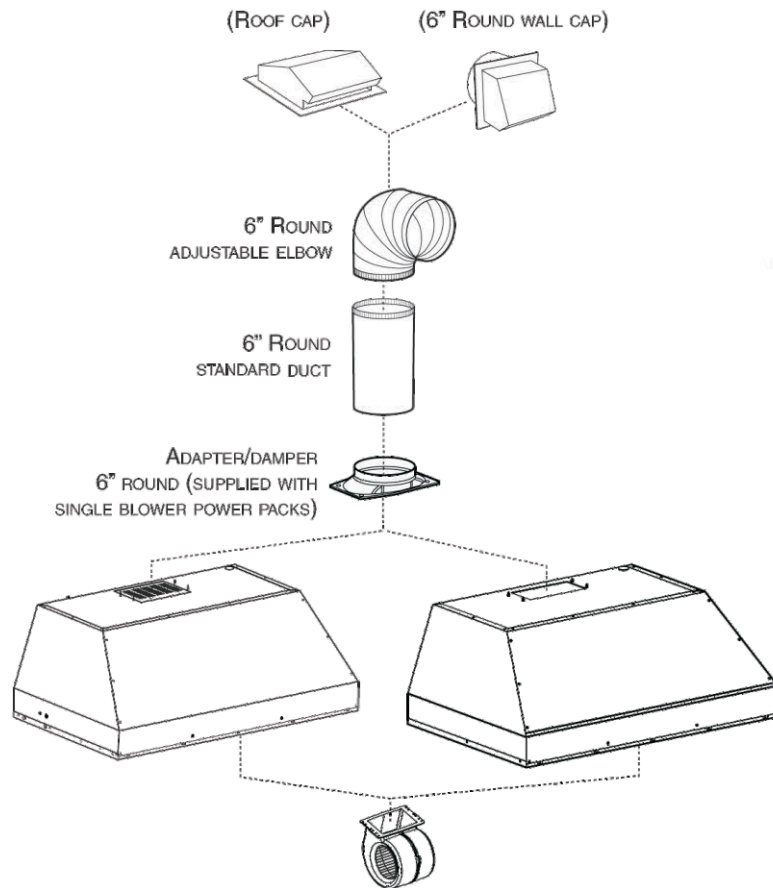
^aBased on “Kitchen Firesafety Tips” published by NFPA.

To reduce the risk of injury to persons in the event of a gas leak:

- Extinguish any open flame.
- DO NOT turn on the lights or any type of appliance.
- Open all doors and windows to disperse the gas. If you still smell gas, call the gas company and fire department.

Your safety and the safety of others is very important. We have provided many important safety messages in this manual and on your appliance. Always read and obey all safety messages. All safety messages will tell you what the potential hazard is, tell you how to reduce the chance of injury, and tell you what can happen if the instructions are not followed.

PARTS SUPPLIED:



Hardware Note: For safety reasons, range hood mounting screws and anchors will not be included due to the variation of cabinetry constructions and wall material. Please consult your installation specialist regarding the optimal type of mounting screws and wall anchors to suit your home's construction.

VENTING REQUIREMENTS:

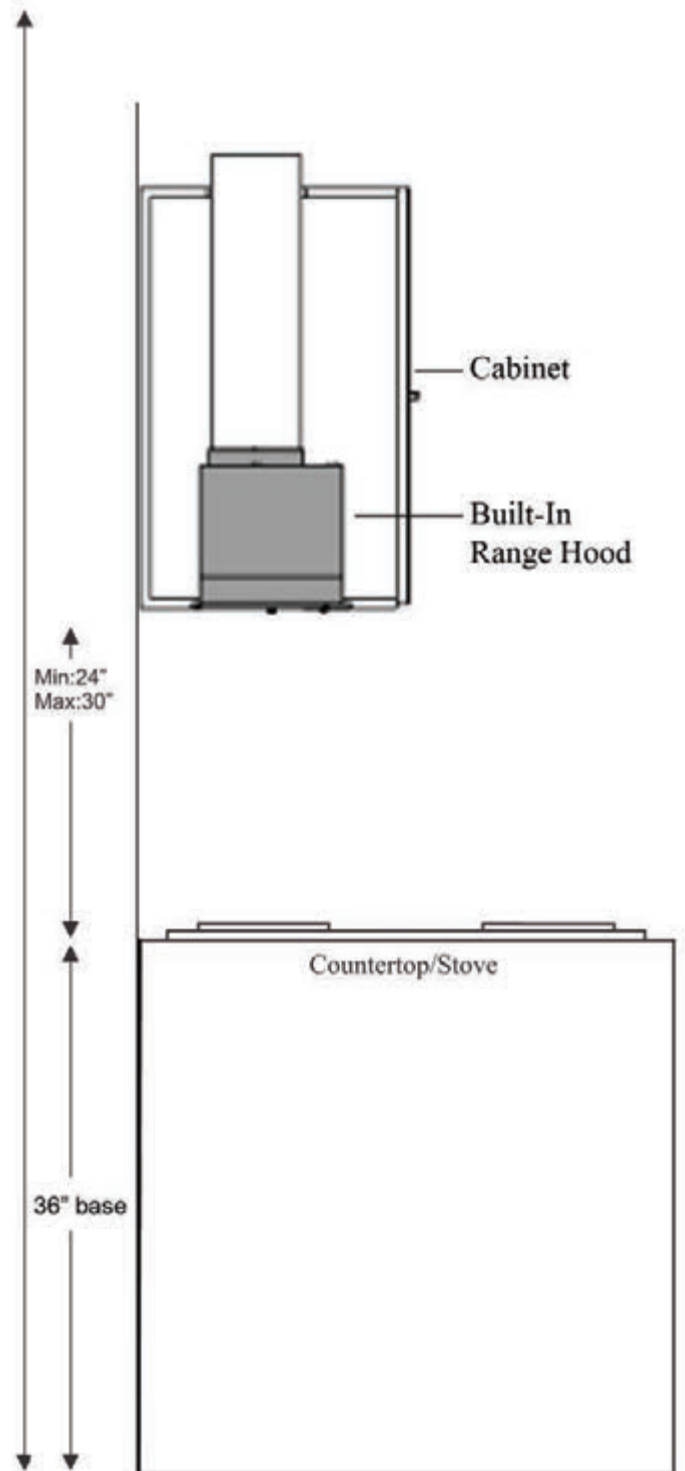
- Vent system must terminate to the outside (Roof or side wall).
- DO NOT terminate the vent system in an attic or other enclosed area.
- DO NOT use 4" (10.2 cm) laundry-type wall caps.
- Use metal/aluminum vent only. Rigid metal/aluminum vent is recommended.
- DO NOT use plastic vent.
- Always keep the duct clean to ensure proper airflow.
- Calculate the following figures before installation:

1. Distance from the floor to the ceiling; Distance
2. between the floor to the countertop/stove;
3. Distance between the cooking surface to the range hood (recommend 24" to 30") minimum of 30" is required for gas cook top;
4. Height of hood and duct cover.

For the most efficient & quiet operation:

- A distance of 24" to 30" is recommended between stove top and the bottom of range hood. 30" minimum is required for gas stove tops.
- It is recommended that the range hood be vented vertically through the roof through 6" (15.3 cm) or bigger round metal/aluminum vent work.
- The size of the vent should be uniform.
- Use no more than three 90° elbows.
- Make sure there is a minimum of 24" (61 cm) of straight vent between the elbows if more than one elbow is used.
- DO NOT install two elbows together.
- The length of vent system and number of elbows should be kept to a minimum to provide efficient performance.
- The vent system must have a damper. If roof or wall cap has a damper, DO NOT use damper (if supplied) on top of the range hood.
- Use silver tape or duct tape to seal all joints in the vent system.
- Use caulking to seal exterior wall or roof opening around the cap.

HEIGHT & CLEARANCE:



IMPORTANT:

- A minimum of 6” round or 3-1/4 x 10” rectangular duct (purchased separately) must be used to maintain maximum airflow efficiency.
- Always use rigid type metal/aluminum ducts if available to maximize airflow when connecting to provided duct.
- Please use Duct Run Calculation below to compute total available duct run when using elbows, transitions and caps.
- ALWAYS, when possible, reduce the number of transitions and turns. If long duct run is required, increase duct size from 6” to 7” or 8”. If a reducer is used, install a long reducer instead of a pancake reducer. Reducing duct size will restrict airflow and decrease airflow, thus reduce duct size as far away from opening as possible.
- If turns or transitions are required, install as far away from opening and as far apart, between two (2), as possible.
- Minimum mount height between stove top to hood bottom should be no less than 24-inches and no higher than 30-inches.
- It is important to install the hood at the proper mounting height. Hoods mounted too low could result in heat damage and fire hazard; while hoods mounted too high may be hard to reach and will lose its performance and efficiency.
- If available, also refer to stove top manufacturer’s height clearance requirements and recommended hood mounting height above range.

CALCULATING VENT SYSTEM LENGTH:

To calculate the length of the system you need, deduct the equivalent feet for each vent piece used in the system from the recommended maximum duct run.

Duct Run Calculation example:

One roof cap, two 90° elbows, and one 45° elbow use

0ft + 9ft + 9ft + 5ft = 23ft used.

Deduct 23ft from 30ft, 7ft maximum available for straight duct run.

Duct Run Calculation:	
Recommended maximum run	
6” or 3-1/4 x 10” duct	30 ft
Vent piece deduction	
Each 90° elbow used	9 ft
Each 45° elbow used	5 ft
Each 6” to 3-1/4 x 10” transition used	7 ft
Side wall cap with damper	0 ft

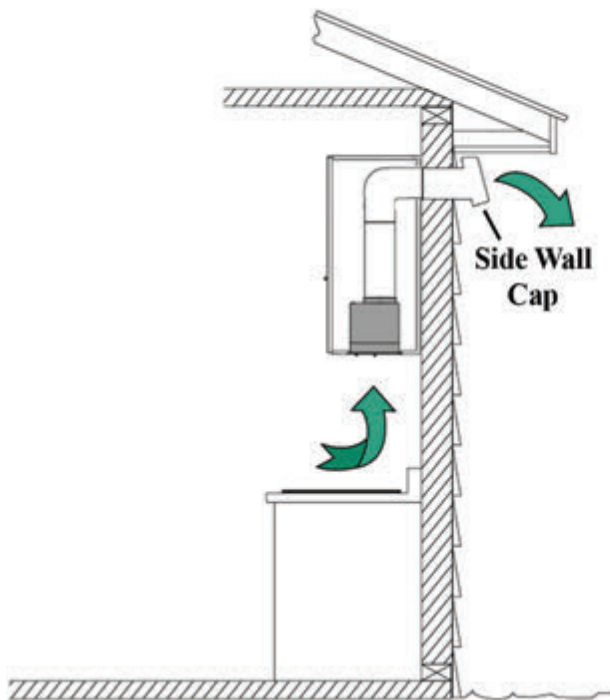
VENTING METHODS:

- This range hood is factory set for venting through the roof or wall.
- Vent work can terminate either through the roof or wall. To vent through a wall, a 90° elbow is needed.

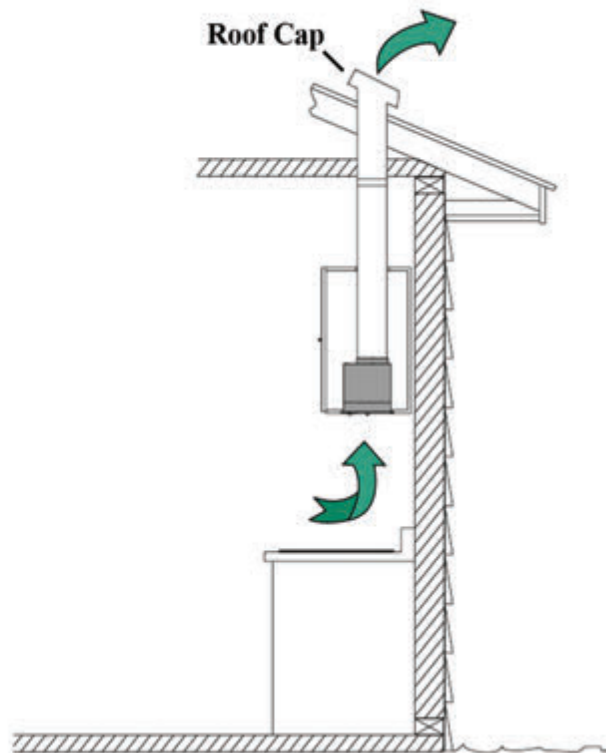
IMPORTANT:

- NEVER exhaust air or terminate duct work into spaces between walls, crawl spaces, ceiling, attics or garages. All exhaust must be ducted to the outside.
- Use metal/aluminum duct work only.
- Fasten all connections with sheet metal screws and tape all joints with certified aluminum or foil tape. Please check the building codes in your city to learn which tape product is recommended
- Use caulking to seal exterior wall or roof opening around the cap.

Horizontal Wall Venting



Vertical Roof Venting



ELECTRICAL REQUIREMENTS:

IMPORTANT:

Observe all governing codes and ordinances.

It is the customer's responsibility to contact a qualified electrical installer.

If codes permit and a separate ground wire is used, it is recommended that a qualified electrician determine that the ground path is adequate.

A 120-Volt, 60 Hz, AC-only, fused electrical supply is required on a separate 15-amp circuit, fused on both sides of the line.

DO NOT ground to a gas pipe.

Check with a qualified electrician if you are not sure that the range hood is properly grounded.

DO NOT have a fuse in the neutral or ground circuit.

IMPORTANT: Save this Installation Guide for electrical inspector's use.

The range hood must be connected with copper wire/plug only.

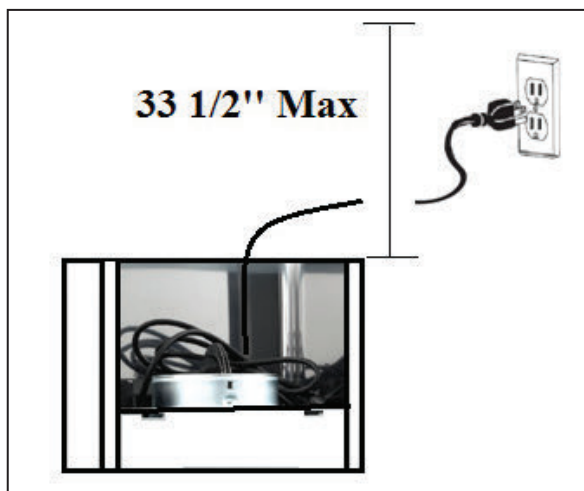
The range hood should be connected directly to the fused disconnect (or circuit breaker) box through flexible armored or non-metallic sheathed copper cable. UL/CSA listed strain relief must be provided at each end of the power supply cable.

GROUNDING INSTRUCTIONS

This appliance must be grounded. In the event of an electrical short-circuit, grounding reduces the risk of electric shock by providing an escape wire for the electric current. This appliance is equipped with a cord having a grounding wire with a grounding plug. The plug must be plugged into an outlet that is properly installed and grounded.

WARNING - Improper grounding can result in a risk of electric shock.

Consult a qualified electrician if the grounding instructions are not completely understood, or if doubt exists as to whether the appliance is properly grounded. DO NOT use an extension cord. If the power supply cord is too short, have a qualified electrician install an outlet near the appliance.



Place the outlet at a maximum distance of 33 1/2" from where the cord exits on the hood

PREPARATIONS:

Advanced Preparations:

- Be familiar with the controls of the range hood by reading through *Range Hood Operations*, Page 14.
- Place the range hood on a flat, stable surface. Connect the range hood to a designated standard outlet (120-Volt, 60Hz, AC only) and turn on the range hood. Verify all operations of the range hood by referring to *Range Hood Operations*.
- Place all supplied parts and required hardware on a flat, stable surface and verify the existence of all supplied parts listed on Page 4.

Preparations:

NOTE: To avoid damage to your hood, prevent debris from entering the vent opening.

- Determine and mark the center line on the ceiling or wall where the range hood will be installed. Make sure there is proper clearance within the ceiling or wall for exhaust vent.
- Due to the weight and size of this unit, please make sure that the support system or framework being used is stable and secure in the ceiling or wall.
- Put a thick, protective covering over counter top, cook top or range to protect from damage or dirt. Remove any hazardous objects around the area when installing.



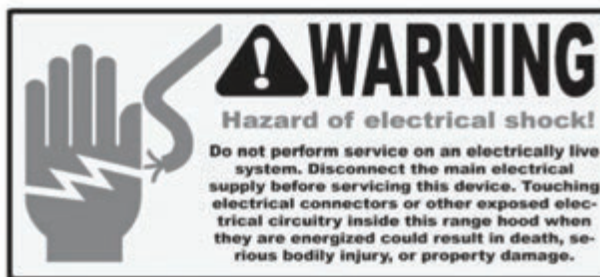
CAUTION

If moving the cooking range is necessary to install the hood, turn OFF the power on an electric range at the main electrical box. SHUT OFF THE GAS BEFORE MOVING A GAS RANGE

INSTALLATION:

Installations (refer to Page 4 for parts):

NOTE: Use threaded drywall anchors only when mounting the hood on sheet rock. Mounting the hood on wall studs or lumbers is highly recommended.



Hardware Note: For safety reasons, range hood mounting screws and anchors will not be included due to the variation of cabinetry constructions and wall material. Please consult your installation specialist regarding the optimal type of mounting screws and wall anchors to suit your home's construction. Always follow all applicable construction codes and standards.

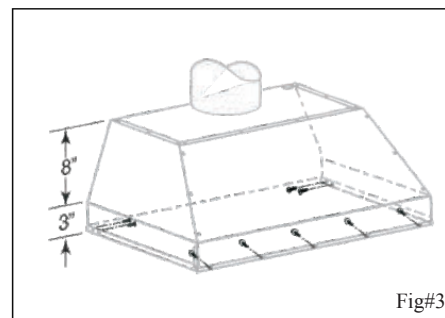
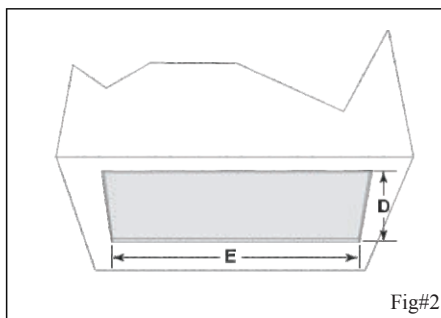
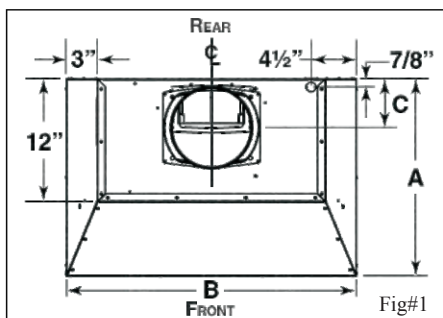
Step 1: Measuring

- The custom hood must be constructed to fit the size and shape

Step 2: Preparing the cabinet

- To minimize the gap around the power pack, take actual width and depth measurements of power pack and add 1/16" to get D and E measurements. Cut the hole in the bottom of the cabinet according to dimensions. (See Fig #2)

SAFETY WARNING: The framework must be positively secured to wall studs or other wooden framework behind the drywall. Make sure it is capable of supporting its own weight and the weight of the CP34, CP 35 or CP37. Failure to do so may cause personal injury or damage to countertop or cooktop.

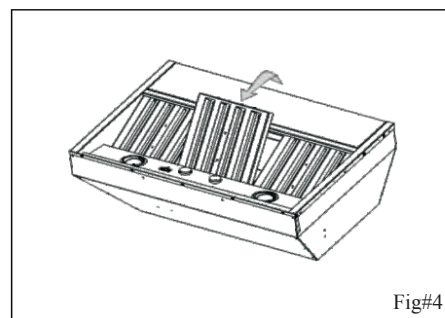


Step 3: Remove Filters

- Remove tape on filters. Remove filters from power pack and set aside.
NOTE: It is recommended to start with the center one(s).

Step 4: Remove Bottom Panel

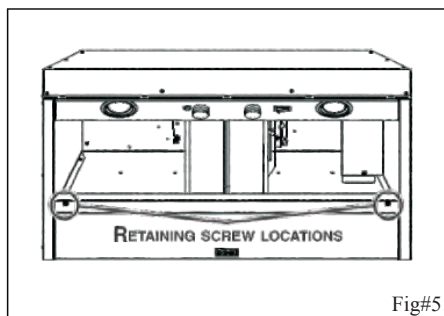
- Using a Phillips screwdriver, remove both bottom panel retaining screws and set aside.
- Disassemble bottom panel from power pack and set aside.



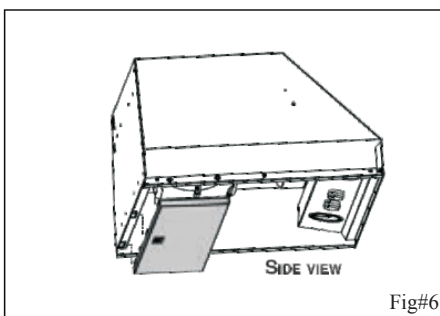
INSTALLATION:

Step 5: Remove Knock-Out Opening

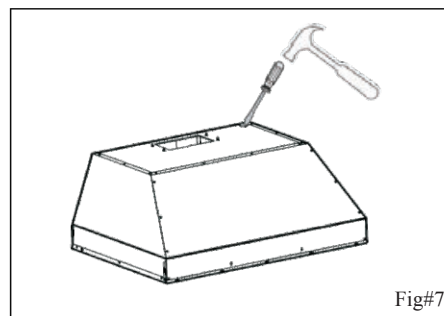
- From inside the power pack, remove the wiring cover by removing 2 retaining screws and set aside. Punch out the electrical knockout hole on top of the power pack. Install the wire clamp (included in parts bag).



Fig#5



Fig#6



Fig#7

Step 6: Install Adapter/Damper

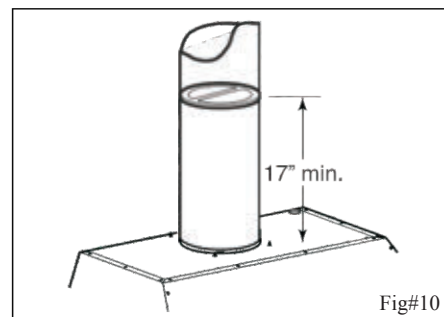
- Using 4 no. 8 x 3/8" screws from parts bag, assemble the adapter/damper on the top of the power pack. To ensure proper opening of the dampers, remove shipping tape if present. Seal all joints with metal foil duct tape to eliminate air leaks.
- Using 2 no. 8 x 3/8" screws from parts bag, assemble the adapter on the top of the power pack. Seal all joints with metal foil duct tape to eliminate air leaks.
- Install 8" damper inside the VERTICAL ductwork that will be attached to power pack. Do not install in a horizontal ductwork or it will not open and close properly. Remove shipping tape if present. To optimize airflow and quiet sound, position the damper at least 17" above the top of the power pack; or as far as the duct will allow (see Fig#10). Secure the damper to the duct with 3 no. 8 metal screws (not provided). Ensure damper opens and closes freely. Seal all joints with metal foil duct tape to eliminate air leaks.



Fig#8



Fig#9



Fig#10

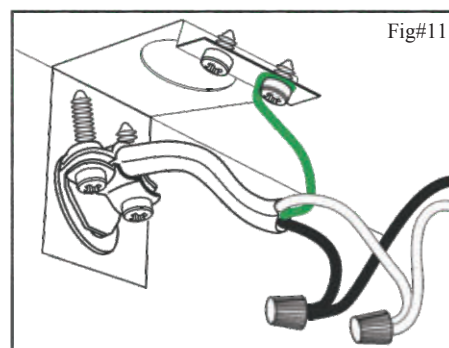
SAFETY WARNING:

Risk of electrical shock. This range hood must be properly grounded. Make sure this is done by a qualified electrician in accordance with all applicable national and local electrical codes. Before connecting wires, switch power off at service panel and lock service panel to prevent power from being switched on accidentally.

INSTALLATION:

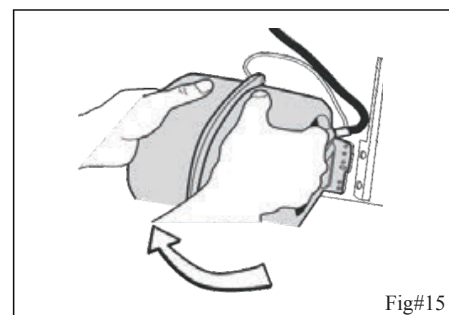
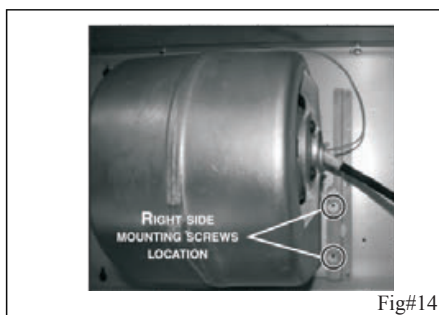
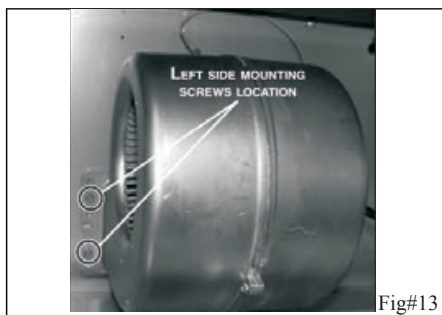
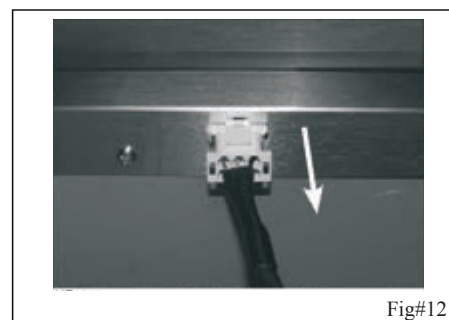
Step 7: Connect Wiring

- Position the power pack below the installed custom hood. Insert the house wiring cable through the wire clamp previously installed in step 7. Tighten the wire clamp to secure the cable.
- Using the provided wire connectors, connect power pack wires to power cable into wiring box
- Connect wires as follow: BLACK to BLACK, WHITE to WHITE and GREEN or bare wire under ground screw. **DO NOT FORGET TO CONNECT THE GROUND.** Reinstall wiring cover.



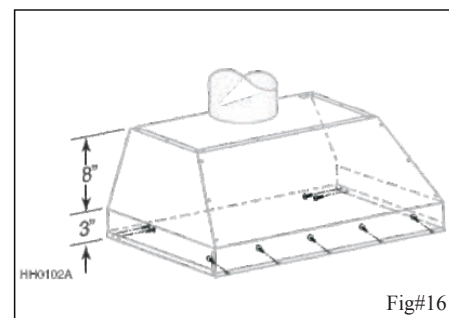
Step 8: Remove blower

- In order to ease the power pack alignment with existing ductwork, unplug and disassemble the blower from the power pack before installing the custom hood.
- Unplug the blower(s)
- Using a 5/16" socket, remove all blower mounting screws from the inner top of the power pack. Set the screws aside.
- Slide the blower to disengage its flange from the retaining bracket. Set the blower aside.



Step 9: Install Power Pack

- Using provided no. 8 x 1/2" chrome plated screws, install the power pack inside the custom hood. Start with 2 screws on the front corners, then use 4 screws for sides and use the remaining ones to finalize securing the front power pack. (See figure at right for mounting screw specific locations.)
Make sure the adaptor/damper (or the adapter) enters the ducting. When there is access to the top of the power pack, seal connections with metal foil duct tape.



CAUTION: Take care not to kink ducting when installing power pack

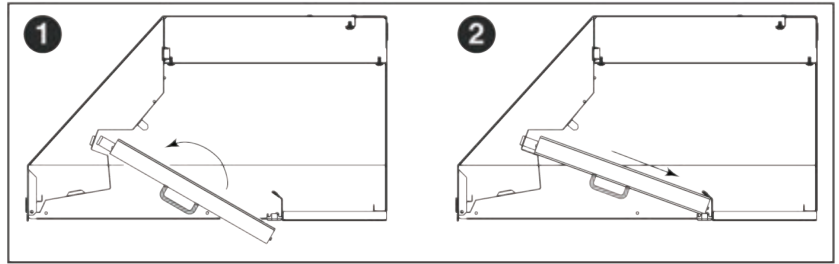
INSTALLATION:

Step 8: Reinstall Baffle Filter

CAUTION: Remove plastic film covering filters before installing them.

NOTE: Assemble the metal handles to the filters, using provided no. 8-32 x 1/4" screws, before installing them in the power pack. It is recommended to install side filters first and finish with center one(s).

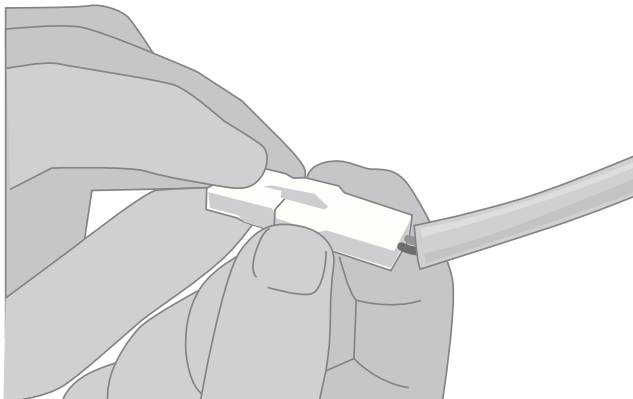
- 1 Insert one end of the filter into the upper channel of the power pack.
- 2 Raise the other end towards the inside of power pack and insert in the grease drip rail of the power pack.



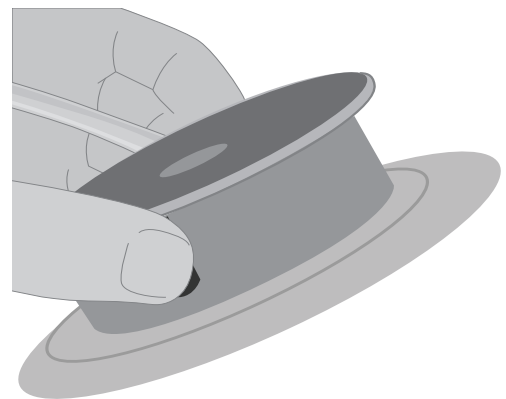
- The baffle filters channel grease released by cooking foods, preventing flaming foods on the cook top from damaging the inside of the range hood. For this reason, the baffle filters must be installed during range hood use.
- The baffle filters should be cleaned once a month, or as needed.

Replacing the light bulb:

- 1 Remove baffle filter as per installation.
- 2 Make sure the hood is disconnected or close the circuit breaker. Reach into the range hood and disconnect power clip.

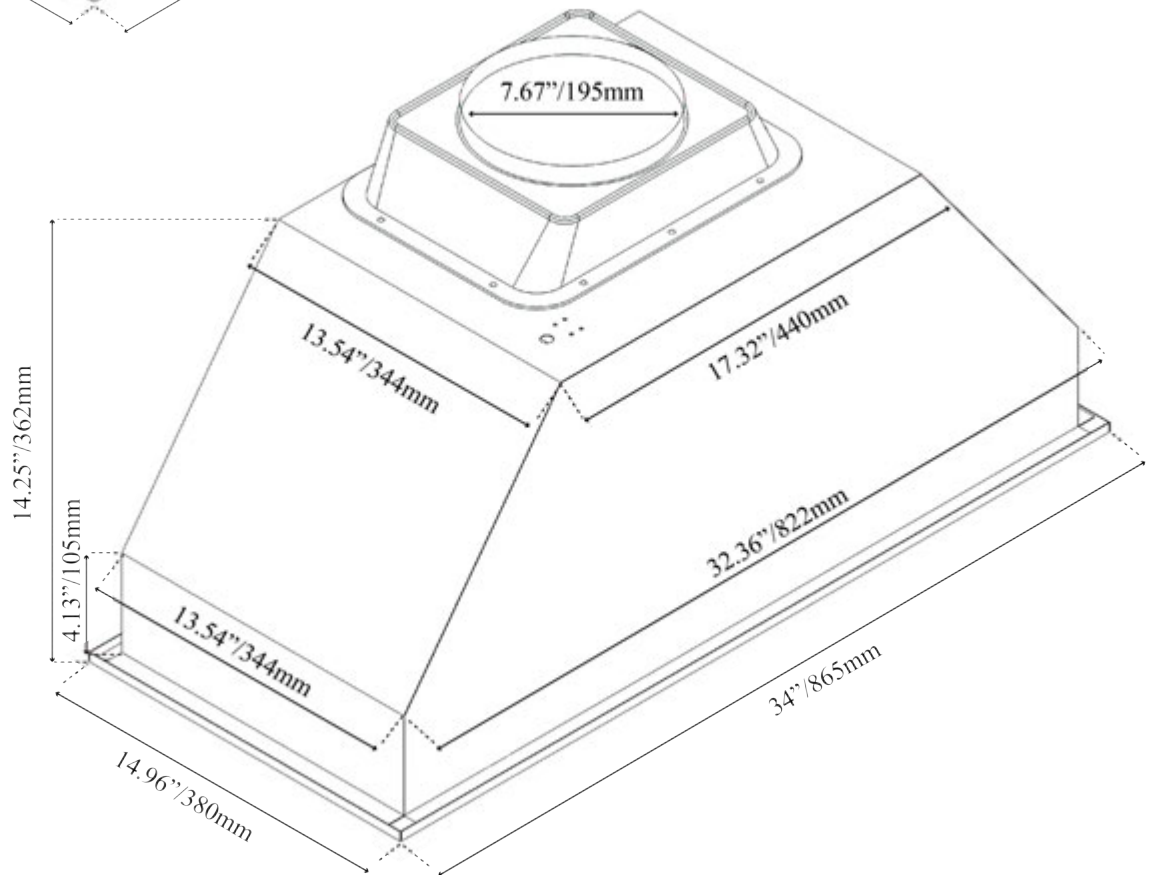
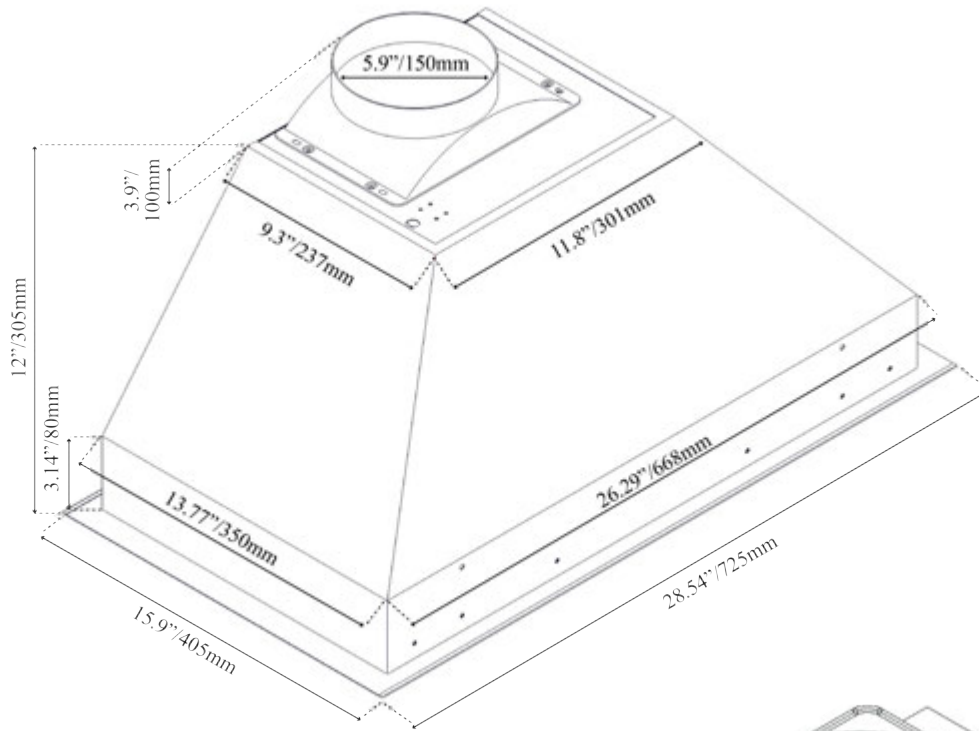


- 3 Reach into interior of range hood until touching both lateral clips located on the side of the puck light. Gently squeeze and push down until puck pops out from its location.

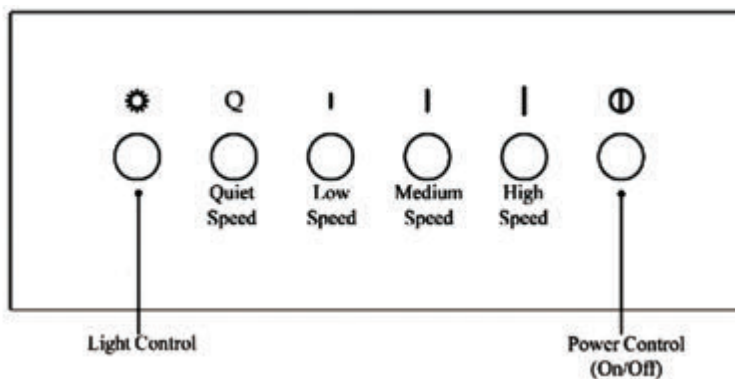


- 4 To reinstall new puck light, follow instruction 3 in reverse order.

MEASUREMENTS AND DIAGRAMS:



CONTROL PANEL OPERATION:



This range hood is equipped with six electronic controls, two stainless steel baffle filters, and two bright LED lights.

The six electronic buttons control the intensity of the Lights, Speeds (Quiet, Low, Medium and High) and Power (On/Off). The Power Control (On/Off) offers startup, 3-minute delay or immediate power-off. The Light Control operates independently from the Power Control (On/Off) and is not affected by the delay shutoff.

Turning Fan ON:

Always turn fans ON before cooking to establish air flow and allow fans to run for a few minutes after cooking for cleaner air in the kitchen. The Power Control (On/Off) button must be pressed before a Speed Control button can be activated. NOTE: The light setting will not be affected by the Power Control (On/Off) button.

- Press the Power Control (On/Off) button once.
- Press a Speed Control button to activate the desired speed.
- To change the fan speed, press another Speed Control button.

Turning Fan OFF:

The 3-minute power-off delay function will only turn OFF fans. The light settings will not be affected by the delay function.

Three-Minute Delay

- While the fans are operating, press Power Control (On/Off) button once and fans will turn OFF after 3-minutes.
- During this 3-minutes delay, changing speeds will not affect the countdown.

Immediate Power-off

- While the fans are in 3-minute power-off delay mode, press the Power Control (On/Off) button once to turn OFF the fans immediately.
- When the fans are operating in normal mode, press the Power Control (On/Off) twice to turn OFF the fans.

Light Control:

Light Control button operates independently from the Power Control (On/Off) and power-off delay function. Pressing the Power Control (On/Off) button or activating the delay function will not turn the lights ON or OFF. The lights have two settings: ON and OFF. CAUTION: DO NOT touch the lights until switched OFF.

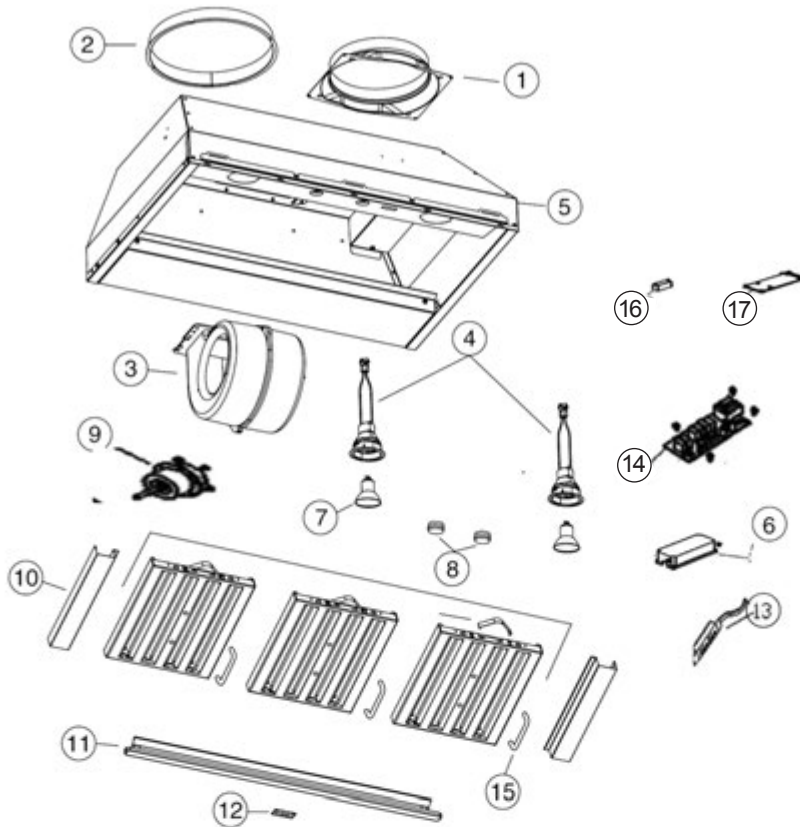
- While the lights are OFF, press the Light Control button once to turn the lights ON.
- Touch the Light Control button again to turn the lights OFF.

TROUBLE SHOOTING:



- | | |
|---|--|
| 1) If the range hood or LED light does not operate after installation: | <ul style="list-style-type: none">• Check if the range hood has been plugged in, make sure that all power has been turned back ON, fused not blown and all electrical wiring are properly connected. |
| 2) The range hood vibrates when the blower is on: | <ul style="list-style-type: none">• The range hood might not have been secured properly on to the ceiling or wall. |
| 3) The blower or fan seems weak: | <ul style="list-style-type: none">• Check that the duct sized used is at least 6". Range hood WILL NOT function efficiently with insufficient duct size. For example: 7" duct over 6" hole and loosely secured.• Check if duct is clogged or if damper unit (half-circular flange) is not installed correctly or opening properly. A tight mesh on a side wall cap unit might also cause restriction to the air flow. |
| 4) The lights work but the fan is not spinning at all, is stuck or is rattling: | <ul style="list-style-type: none">• The fan might be jammed or scraping the bottom due to shipping damage. Please contact us immediately at 1-888-686-0778.• Make sure the distance between the stove top and the bottom of the hood is within 24" and 30" in distance; with minimum 30" for gas stove top. |
| 5) The hood is not venting out properly: | <ul style="list-style-type: none">• Reduce the number of elbows and length of duct work. Check if all joints are properly connected, sealed, and taped. |

RANGE HOOD ASSEMBLY:



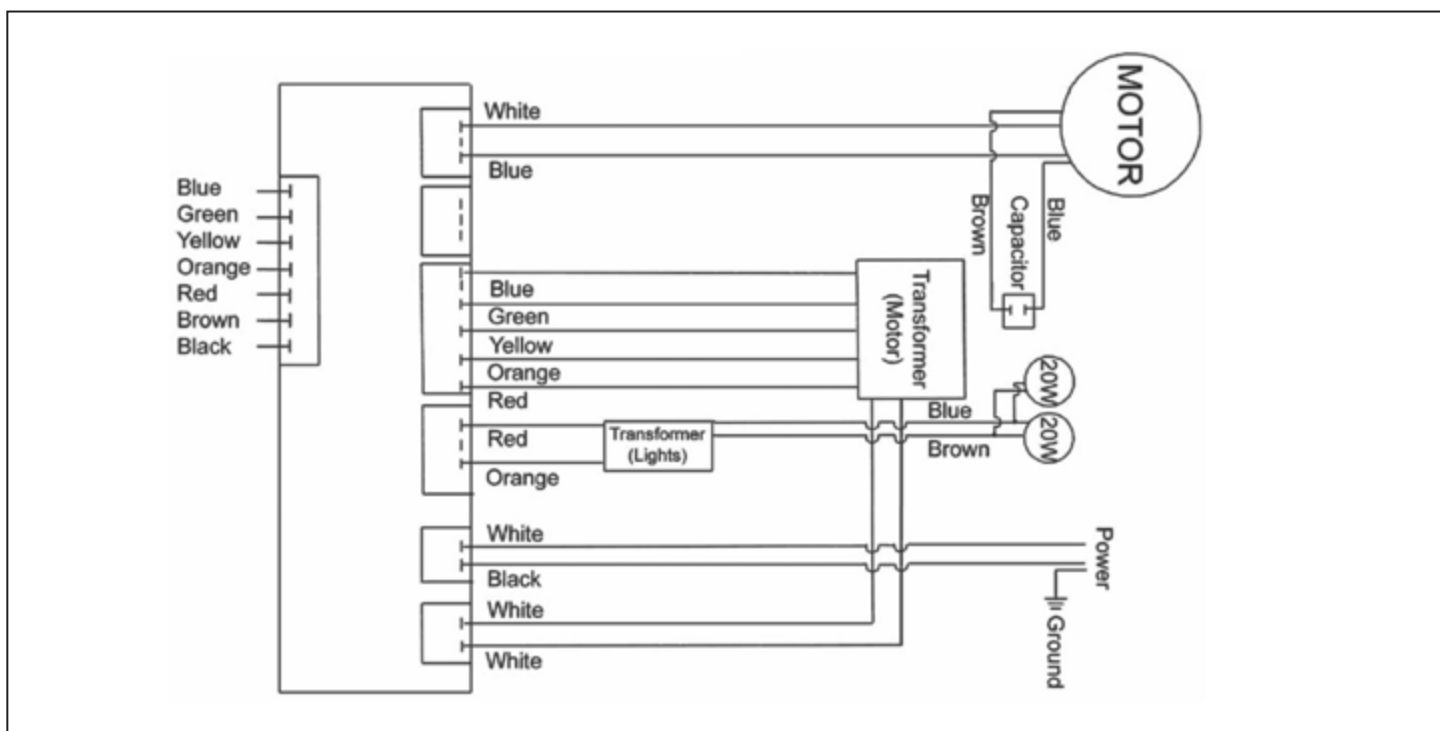
Range Hood Assembly:

No.	Description	No.	Description
1	Adapter/Damper	13	Control Panel Assembly
2	Adapter/Damper Round	14	Processor Board
3	Blower	15	Baffle Handle
4	Light Scket	16	Electrical Box Cover
5	Hood Casing	17	Electrical Box Base
6	Electrical Box		
7	Light		
8	Screws		
9	Motor		
10	Spacer		
11	Light Panel		
12	Capacitor		

SPECIFICATIONS

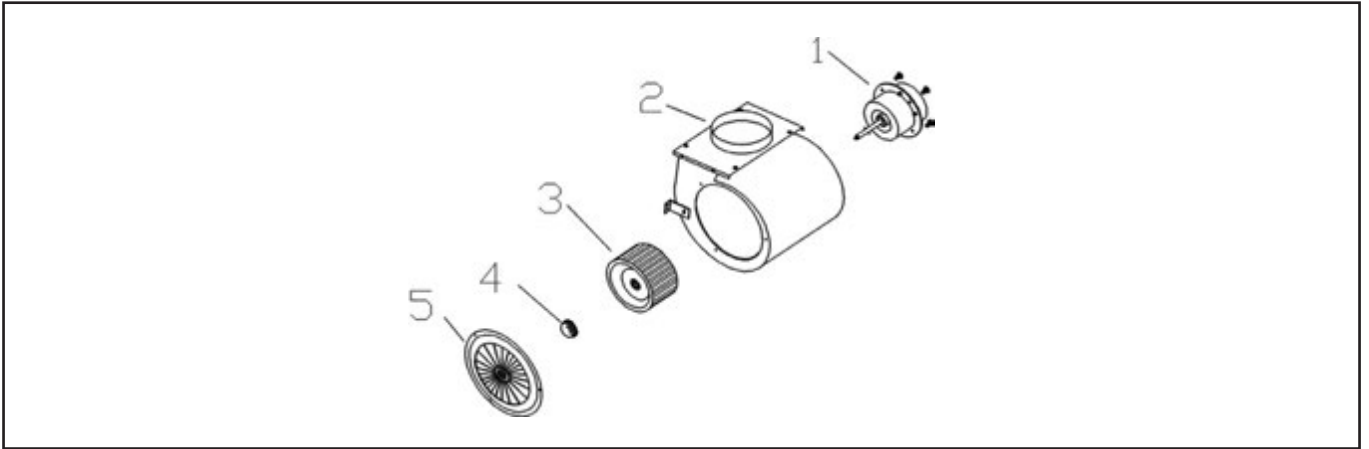
Specifications:	
Body Design	Stainless Steel 430
Power Rating	120V / 60Hz (USA & Canada standard) cULus
General Input Power	224 W
Motor Input Power	218 W
Ampere	2.5 A
Levels Of Speed Control	4 Levels
Number Of Motors	Single Motor
Motor Type	Single Chamber Quiet
Fan Type	Centrifugal Squirrel Cage
Control Type	Electronic Button Control
Filtration Type	Stainless Steel Baffle Filter
Illumination	2 x 3W LED
Venting Size	Top, 6 inches Round
Interference Protection	Radio Frequency Interference Protected

CIRCUIT DIAGRAM:



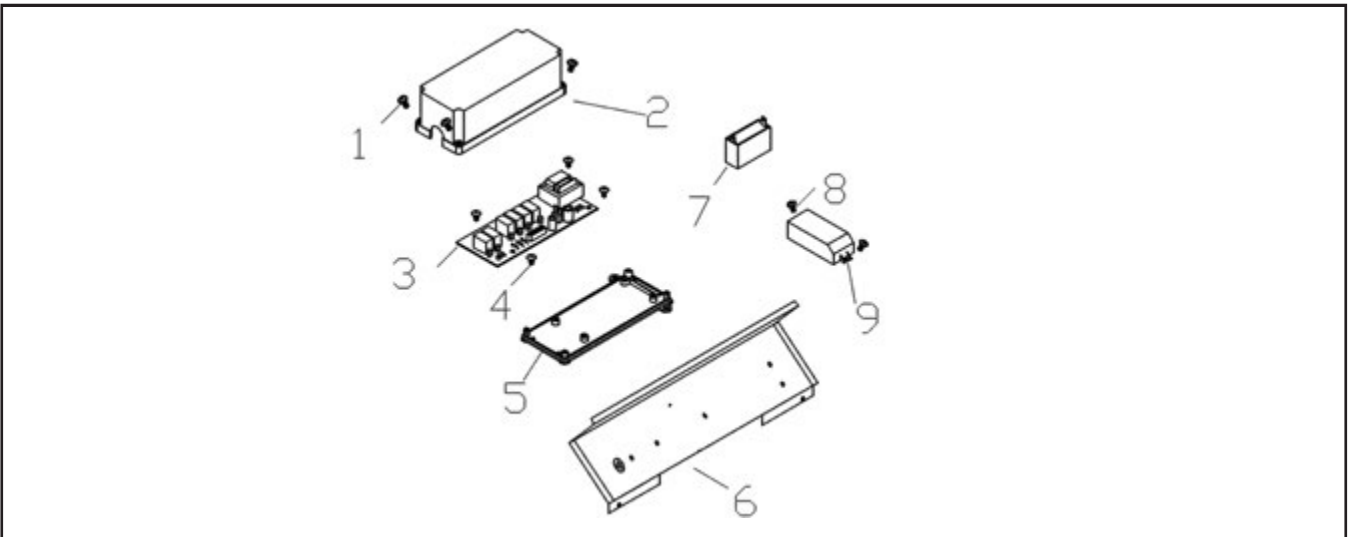
BLOWER ASSEMBLY:

No.	Description	No.	Description
1	Motor		
2	Air Chamber		
3	Squirrel Cage		
4	Locknut		
5	Safety Screen		



ELECTRICAL ASSEMBLY:

No.	Description	No.	Description
1	Screws (3/16" x 3/8")	6	Electrical Panel
2	Electrical Box Cover	7	Capacitor
3	Processor Board	8	Screws (3/16" x 3/8")
4	Screws (3/16" x 3/8")	9	LED Light Transformer
5	Electrical Box Base		



USE AND CARE INFORMATION:

Operations:

- Read and understand all instructions and warnings in this manual before operating the appliance. Save these instructions for future reference.
- Always leave safety grills and filters in place. Without these components, operating fans could catch on to hair, fingers and loose clothing.
- NEVER dispose cigarette ashes, ignitable substances, or any foreign objects into fans.
- NEVER leave cooking unattended. When frying, oil in the pan can easily overheat and catch fire. The risk of self combustion is higher when the oil has been used several times.
- NEVER cook on “open” flames under the range hood. Check deep-fryers during use; superheated oil may be flammable.

Cleaning:

- The saturation of greasy residue in the fan and filters may cause increased inflammability. Keep unit clean and free of grease and residue build-up at all times to prevent possible fires.
- Filters must be cleaned periodically and free from accumulation of cooking residue (see Cleaning Instructions below). Old and worn filters must be replaced immediately.
- DO NOT operate fans when filters are removed. Never disassemble parts to clean without proper instructions. Disassembly is recommended to be performed by qualified personnel only. Read and understand all instructions and warnings in this manual before proceeding.

SAFETY WARNING: Never put your hand into area housing the fan while the fan is operating!

For optimal operation, clean range hood and all baffle/spacer/filter/oil container regularly. Regular care will help preserve the appearance of the range hood.

Cleaning Exterior Surfaces:

- Clean periodically with hot soapy water and clean cotton cloth. DO NOT use corrosive or abrasive detergent (e.g. Comet Power Scrub®, EZ-Off® oven cleaner), or steel wool/scoring pads, which will scratch and damage the stainless steel surface. For heavier soil use liquid degrease such as “Formula 409®” or “Fantastic®” brand cleaner.
- If hood looks splotchy (stainless steel hood), use a stainless steel cleaner to clean the surface of the hood. Avoid getting cleaning solution onto or into the control panel. Follow directions of the stainless steel cleaner. **CAUTION: DO NOT leave on too long as this may cause damage to hood finish.** Use soft towel to wipe off the cleaning solution, gently rub off any stubborn spots. Use dry soft towel to dry the hood.
- After cleaning, you may use non abrasive stainless steel polish such as 3M® or ZEP®, to polish and buff out the stainless luster and grain. Always scrub lightly, with clean cotton cloth, and with the grain.
- DO NOT allow deposits to accumulate or remain on the hood.
- DO NOT use ordinary steel wool or steel brushes. Small bits of steel may adhere to the surface and cause rusting.
- DO NOT allow salt solutions, disinfectants, bleaches, or cleaning compounds to remain in contact with stainless steel for extended periods. Many of these compounds contain chemicals, which may be harmful. Rinse with water after exposure to these compounds and wipe dry with a clean cloth.

Cleaning Filters:

IMPORTANT: Drain oil from baffles, spacers, filters, oil tunnels, oil containers before oil and residue overflow!

- Remove all baffles, spacers, filters, and oil containers and discard oil and residue.
- Wash with warm soapy water. NOTE: Stainless steel baffles, spacers and oil tunnel are top rack dishwasher safe.
- Dry thoroughly before replacing and follow directions for installation in reverse.
- Filters should be cleaned after every 30 hours of use.
- Should filters wear out due to age and prolonged use, replace with a new filter.

LED Replacement:

- In the event the LED lights require servicing, please contact us at 1-888-686-0778 or email us at service@anconahome.com