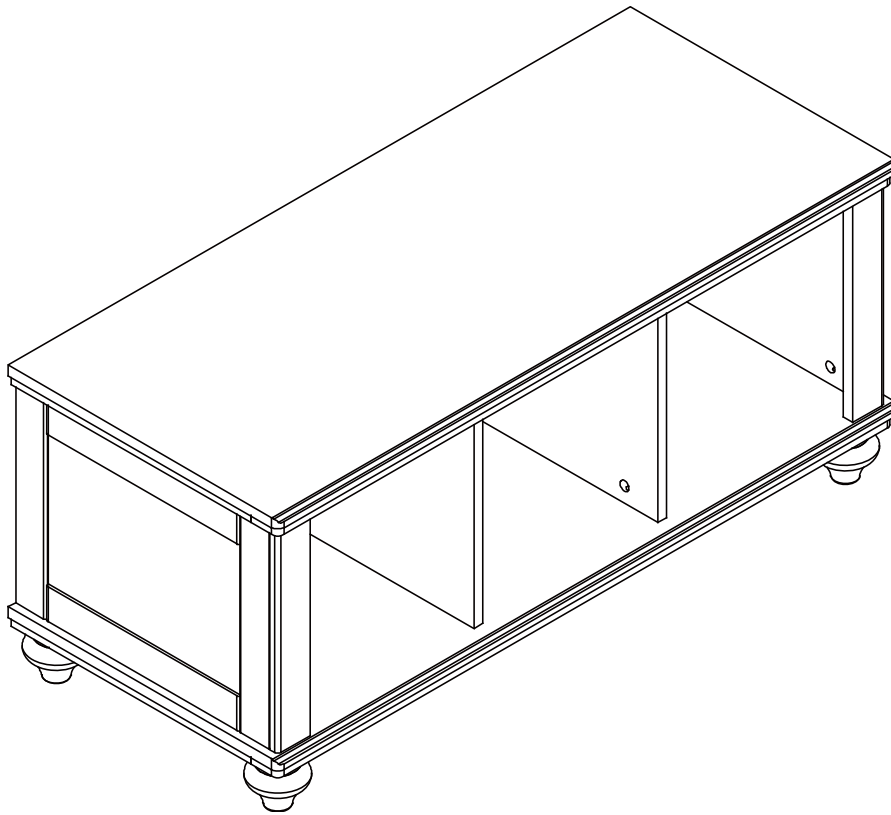


Item # 760274
Model # HS1060.2A

ASSEMBLY INSTRUCTIONS

Bench



Questions, problems, missing parts? Before returning to the store,
call Customer Service
8 a.m. – 6 p.m., EST, Monday - Friday

1-877-527-0313

WWW.HOMEDEPOT.COM

THANK YOU

We appreciate the trust and confidence you have placed through the products of this bench. We strive to continually create quality products designed to enhance your home. Visit us online to see our full line of products available for your home improvement needs.

Table of Contents

Table of Contents.....	2	Hardware Included.....	3
Safety Information.....	2	Package Contents.....	4
Warranty.....	2	Assembly.....	5
Pre-Assembly.....	3	Weight Limits.....	8
Tools Required.....	3		
Planning Assembly.....	3		

Safety Information

Please read and understand these instructions before assembling and using this bookcase. Save these instructions for future reference.



WARNING: Anchor the bench to the wall after assembly to prevent accidental tipping and injury.

Warranty

LIMITED ONE YEAR PRODUCT WARRANTY

WHAT IS COVERED

This limited warranty covers the original purchase of this product used for normal commercial, personal, or household use. The supplier warrants its products will be free from defects in materials and workmanship (normal wear and tear excepted) for a period of one (1) year from the date of purchase, except as provided below. The supplier, at its option, will replace with a comparable product, free of charge, any product purchased from it that fails under normal use as a result of such defect.

Materials are warranted for one year from date of purchase. Proof of purchase is required in the form of a receipt (copy or original) to validate the warranty.

The supplier provides this limited warranty in lieu of all other warranties either expressed or implied. Expressly excluded are all warranties of fitness for a particular purpose or merchantability. The supplier's sole obligation and the user's exclusive remedy under this warranty shall be limited to the repair, refund or replacement at the supplier's sole discretion and cost, of product or components.

THIS WARRANTY APPLIES ONLY TO THE U.S. AND CANADA.

WHAT IS NOT COVERED

This warranty does not apply to damage caused by fire, accident, negligence, misuse, or use other than as stated in product instructions, improper cleaning or other circumstances not directly attributable to defects in materials and workmanship.

Natural variations occurring in wood or other materials will not be considered defects, and the supplier does not warrant the color-fastness or matching of colors, grains, or textures of such materials. This warranty does not apply to modifications of the product, attachments to the product not approved, and products that were not installed, used, or maintained in accordance with product instructions and warnings.

Contact the Customer Service Team at 1-877-527-0313 or visit www.homedepot.com

Pre-Assembly

PLANNING ASSEMBLY

Compare all parts with the Hardware Included and Package Contents list. If any part appears missing or damaged, do not assemble this product and contact the Customer Service Team at 1-877-527-0313 or visit www.homedepot.com.

TOOLS REQUIRED



Phillips
screwdriver
(not provided)

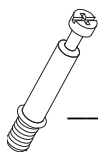
HARDWARE INCLUDED



NOTE: Hardware not shown to actual size.



__ I



__ J



__ K

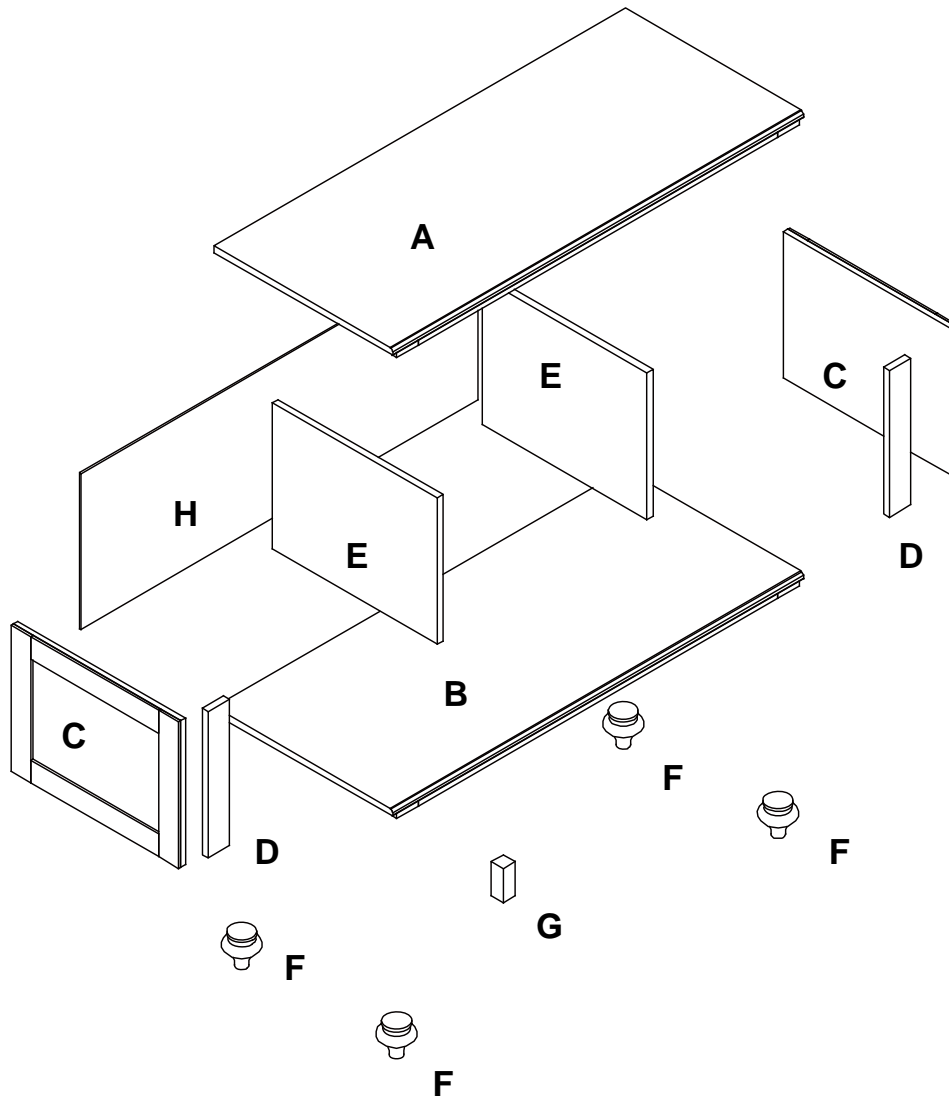


__ L

Part	Description	Quantity
I	Wood dowel	20 + 1 extra
J	Cam bolt	20 + 1 extra
K	Cam lock	20 + 1 extra
L	Screw	16 + 1 extra

Pre-Assembly (continued)

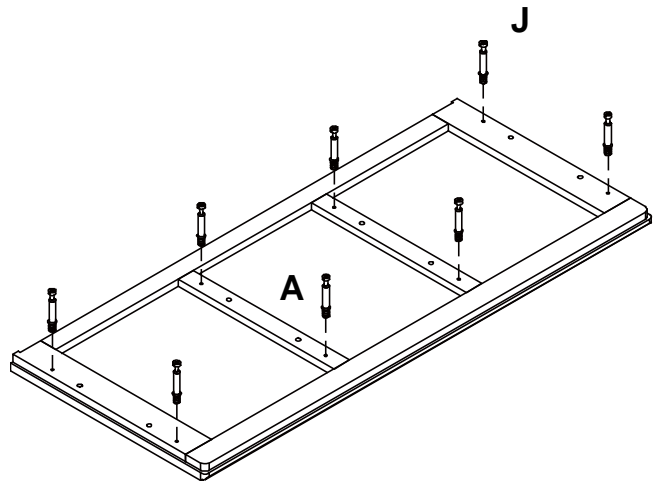
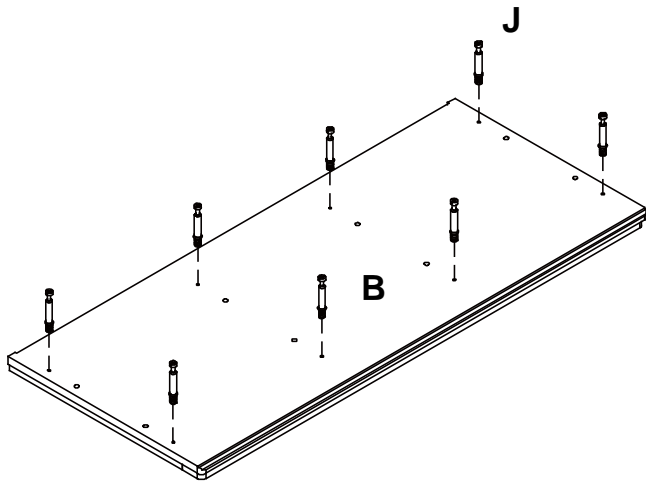
PACKAGE CONTENTS



Part	Description	Quantity
A	Top panel	1
B	Bottom panel	1
C	Side panel	2
D	Side vertical	2
E	Partition	2
F	Foot	4
G	Support foot	1
H	Back panel	1

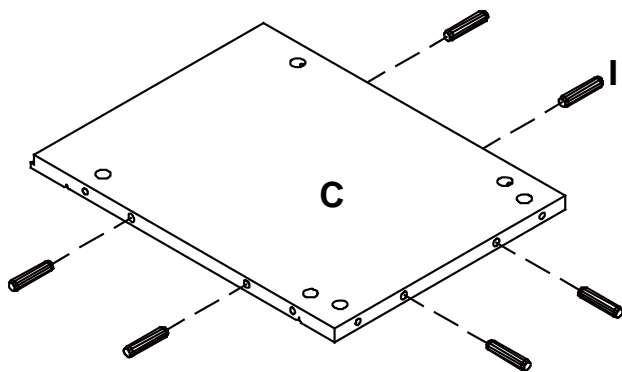
1 Preparing the top panel and bottom panel

- Securely screw cam bolts (J) into the designated small holes on the bottom panel (B).
- Follow the same step to assemble the top panel (A).

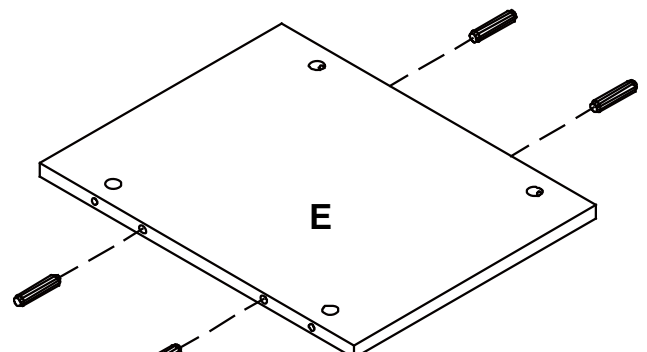


2 Preparing the side panel, partition and side vertical

- Insert wood dowels (I) into the top, bottom and front inner holes of the side panel (C).
- Insert wood dowels (I) into the top and bottom inner holes of the partition (E).
- Securely screw two cam bolts (J) into the designated small holes on the side vertical (D).

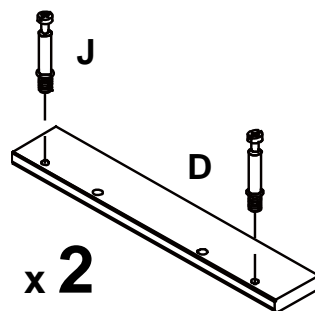


x 2



I

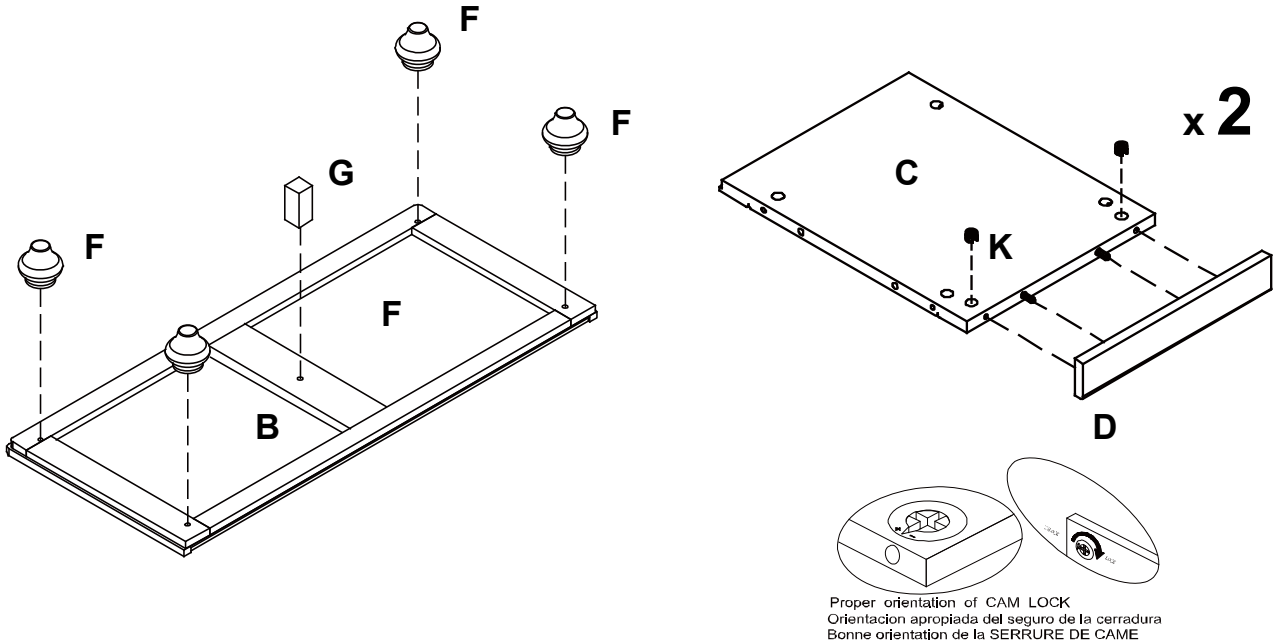
x 2



x 2

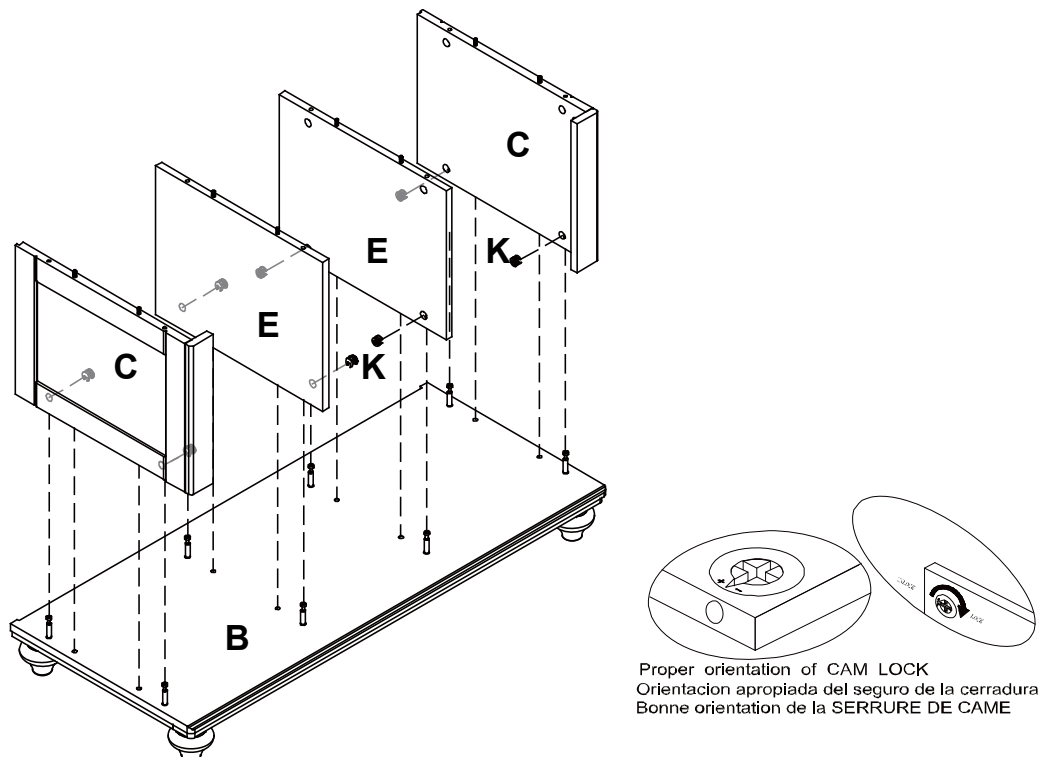
3 Installing the feet and the side vertical

- Screw four feet (F) and supporting foot (G) into the bottom of the bottom panel (B).
- Fasten the side vertical (D) to the side panel (C) with two cam locks (K).



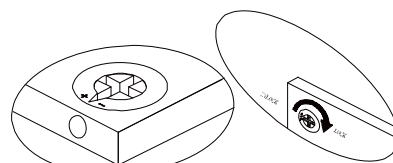
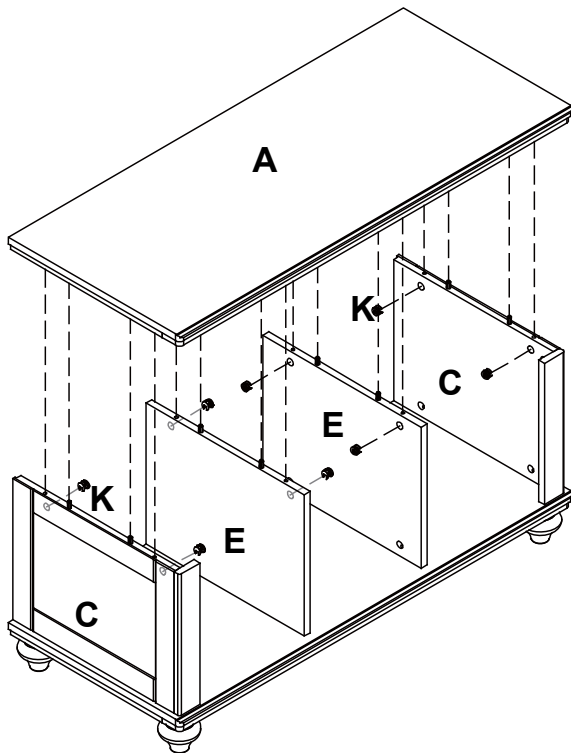
4 Installing the side panel and the partition

- Align the bottom panel (B) with the side panel (C), partition (E) with eight cam locks (K), and press them together. Attach the side panel (C) and partition (E) in place by engaging eight cam locks (K).



5 Attaching the top panel

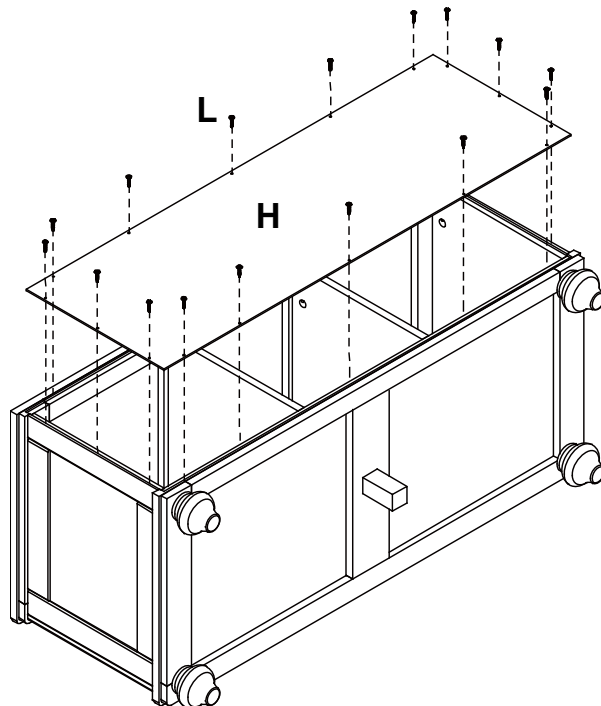
- Position the top panel (A) onto the side panel (C) and partition (E), and fasten it in place with eight cam locks (K).



Proper orientation of CAM LOCK
Orientación apropiada del seguro de la cerradura
Bonne orientation de la SERRURE DE CAME

6 Attaching the back panel

- Pick up the back panel (H) and align the drilled holes against the upper long edge with the pilot holes on the back stretcher of the top panel (A). Attached the back panel (H) in place using the provided sixteen screws (L).



Assembly (continued)

WEIGHT LIMITS

This unit has been designed to support the maximum loads shown. Exceeding these load limits could cause sagging, instability, product collapse, and/or serious injury.



WARNING: Please ensure that all the objects are removed before moving the assembled unit. The unit must be lifted by more than one person, not dragged or pushed. Failure to do so will cause product damage, instability, product collapse, and/or serious injury.

