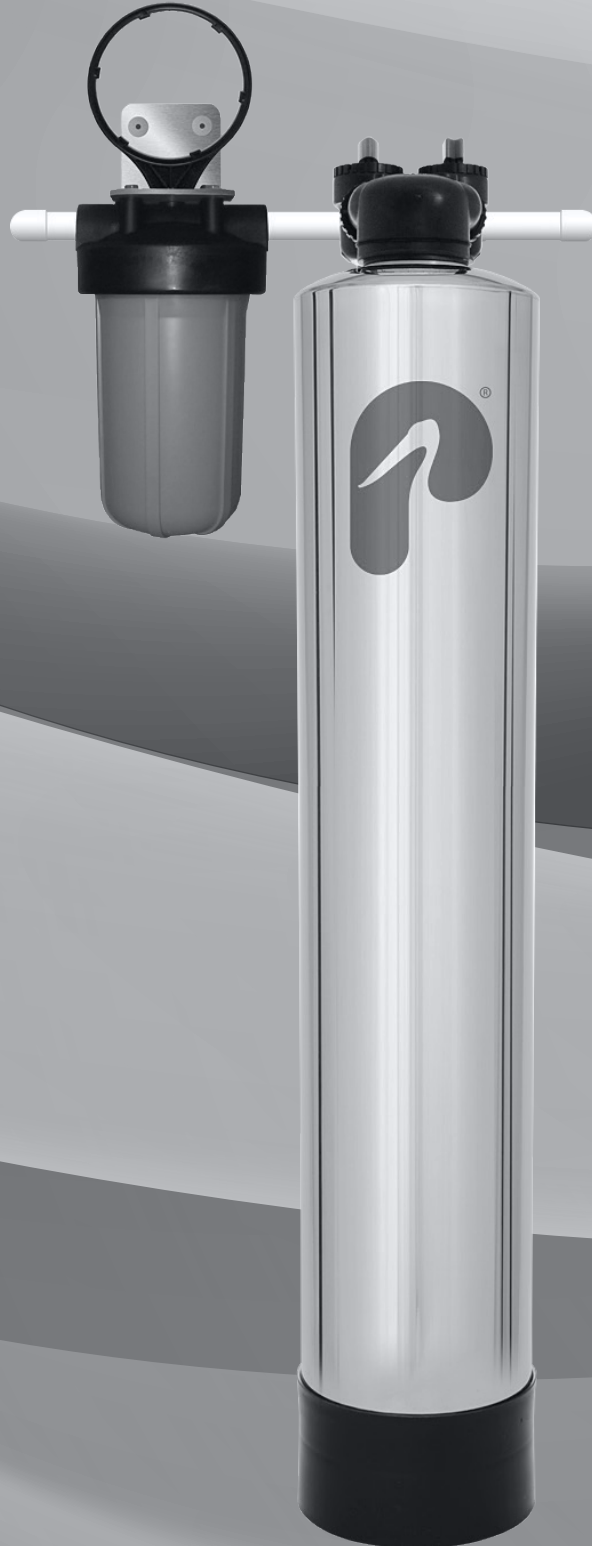




**Pelican**  
Water Systems

[PelicanWater.com](http://PelicanWater.com)



**Owner's Manual | Model: PC600/PC1000**

© Copyright 2018 Enviro Water Solutions LLC. All rights reserved.

All information contained herein is the property of Pelican Water Systems. Pelican Water Systems makes no warranty of any kind with regard to this material, including, but not limited to, the implied warranties of merchantability and fitness for a particular purpose. Pelican Water Systems shall not be liable for technical or editorial errors or omissions contained herein or for incidental or consequential damages in connection with the furnishing, performance, or use of this material. The information is provided "as is" without warranty of any kind and is subject to change without notice. This document contains proprietary information which is protected by copyright. No part of this document may be photocopied, reproduced, or translated into another language without the prior written consent of Pelican Water Systems. Pelican Water Systems is an Enviro Water Solutions, LLC. company.

---

## Table of Contents

<b>Table of Contents</b> .....	<b>3</b>
<b>Product Operation and Specifications</b> .....	<b>4</b>
<b>Important Information</b> .....	<b>4</b>
<b>Complete Parts List</b> .....	<b>5</b>
<b>Installation Overview</b> .....	<b>6</b>
<b>Pre-Installation</b> .....	<b>6</b>
Bypass Valve Installation .....	6
Water Filter - Carbon Soak .....	7
Water Filter - Carbon Flush .....	8
<b>Installation</b> .....	<b>9</b>
Sediment Filter Assembly .....	9
Sediment Filter Installation .....	9
Whole House Water Filter Tank Installation .....	10
Bypass Valve Operations .....	11
<b>Complete the Installation</b> .....	<b>12</b>
<b>Maintenance</b> .....	<b>13</b>
Premium Whole House Water Filter .....	13
Sediment Filter .....	13
Replacing the Sediment Filter .....	13
<b>Troubleshooting</b> .....	<b>14</b>
<b>Warranty</b> .....	<b>15</b>
Warranty Registration Form .....	16
<b>Product Certifications</b> .....	<b>17</b>

## Product Operation and Specifications

Specification Description	PC600	PC1000
<b>Rated Service Flow Rate</b>	8 GPM	12 GPM
<b>Peak Flow Rate</b>	12 GPM	16 GPM
<b>Minimum Working Pressure</b>	25 PSI	
<b>Maximum Working Pressure</b>	80 PSI	
<b>Maximum Vacuum</b>	5 inch/127 mm Hg	
<b>Operating Temperatures</b>	36°F – 120°F	
<b>pH Range</b>	6 – 11	

### Important Information

- Read these instructions carefully and determine the location of all system components before beginning installation.
- Check all applicable plumbing, building, and electrical codes for installation compliance.
- Install the system on the main water supply.
- The use of Teflon Tape and/or Pipe Thread Seal Paste will be needed on all threaded connections.

#### **WARNING:**

If this or any other system is installed in a metal (conductive) plumbing system, i.e. copper or galvanized metal, the plastic components of the system will interrupt the continuity of the plumbing system. As a result any errant electricity from improperly grounded appliances downstream or potential galvanic activity in the plumbing system can no longer ground through contiguous metal plumbing. Some homes may have been built in accordance with building codes, which actually encouraged the grounding of electrical appliances through the plumbing system. Consequently, the installation of a bypass consisting of the same material as the existing plumbing, or a grounded "jumper wire" bridging the equipment and re-establishing the contiguous conductive nature of the plumbing system must be installed prior to your systems use.

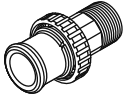
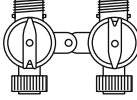
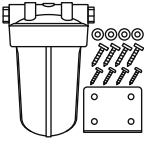





#### **CAUTION:**

When adding a filtration/softening system to homes/buildings supplied by well water, the system should be installed following the pressure tank. **DO NOT USE this system for pneumatic or hydro pneumatic applications. If you are using a booster pump, then install this system following the booster pump.** If you have questions, please call customer service.

## Complete Parts List

**Note:** Pelican supplies the parts below to accommodate a variety of water supply lines.

**Table 1: Parts List**

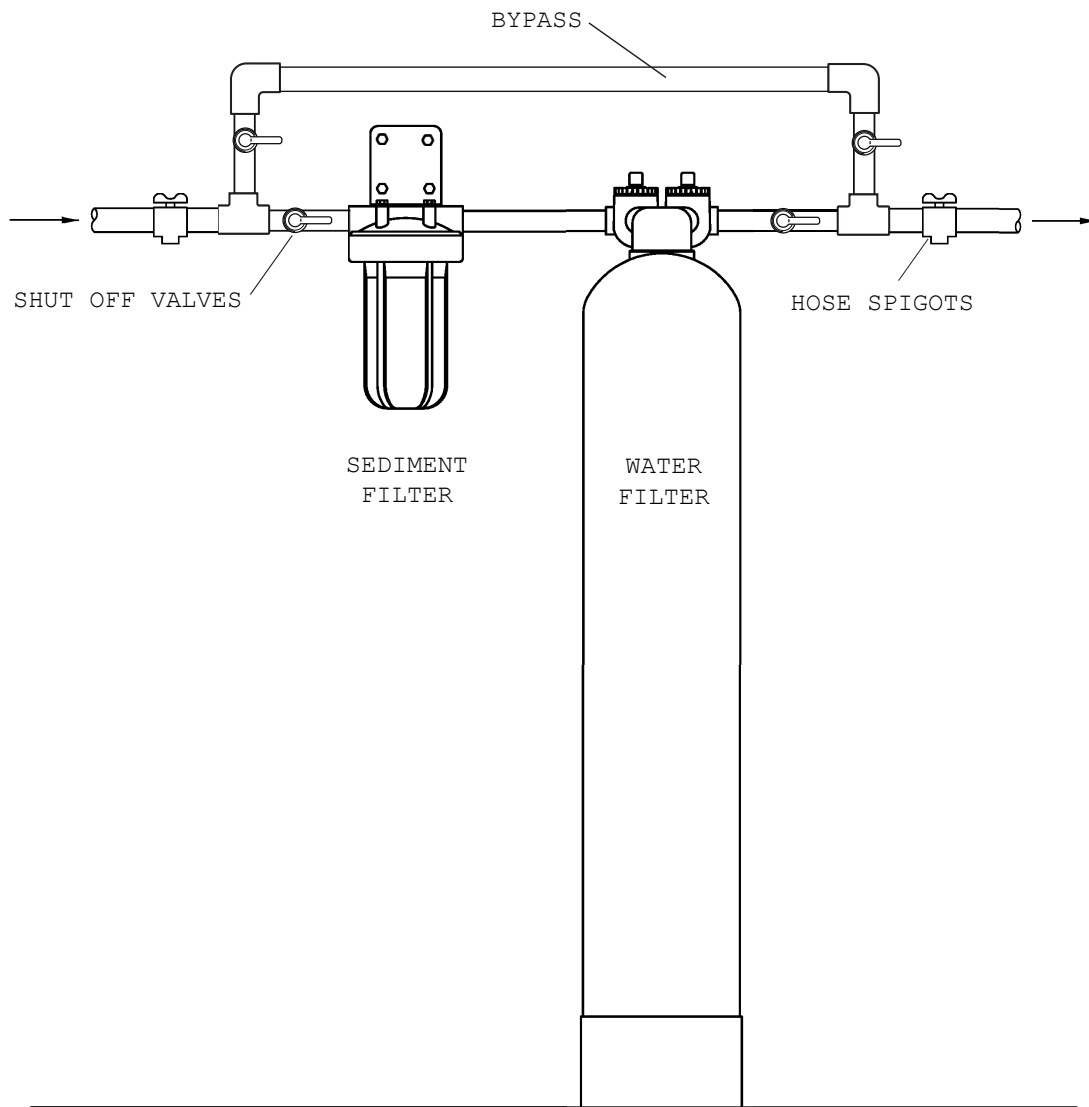
Part	Description	Qty.	Part	Description	Qty.
	<b>1" Plastic Male NPT Assembly:</b> V3007-04 WS1 Fitting 1" Plastic Male NPT Assembly (2): O-Rings (2), Split Rings (2), and Connectors (2)	1		<b>Bypass Valve:</b> In/Out Bypass Valve with Red Arrow Handles	1
	<b>Sediment Filter System:</b> Blue Sediment Filter Housing, Mounting Bracket, Phillips Head Screws (4), Bolt Head Screws (4), and Washers (4)	1		<b>Hose Bib Assembly</b>	1
	<b>Sediment Filter:</b> 5 Micron Poly-Spun Sediment Filter	1		<b>Pelican Whole House Water Filter</b>	1
	<b>Sediment Filter Wrench</b>	1			
	<b>Non-Abrasive Auto Wax</b> 4 oz. Bottle	1			

**Note:** Drawings are not to scale.

Additional fittings will be needed to adapt to your plumbing.

 **Notice:**

**Head may come loose in transit. Please check head by tightening clock-wise, hand tight only, no more than 1/4 turn. Head may not move at all or less than 1/4 turn.**



**Pelican**  
Water Systems

3060 PERFORMANCE CR  
SUITE 2  
DELAND, FL 32724  
1-877-842-1635  
www.pelicanwater.com

**DO NOT SCALE DRAWING**

THIS DRAWING IS ISSUED IN CONFIDENCE AND CANNOT BE REPRODUCED OR USED TO MANUFACTURE ANYTHING SHOWN OR REFERRED TO WITHOUT DIRECT WRITTEN PERMISSION FROM PELICAN WATER SYSTEMS.

CONNECTION SIZE: 1"  
MAX PRESSURE OPERATING: 80 PSI  
MAX TEMPERATURE: 120°

**INSTALLATION OVERVIEW**  
**SINGLE TANK SYSTEM**

## Installation Overview

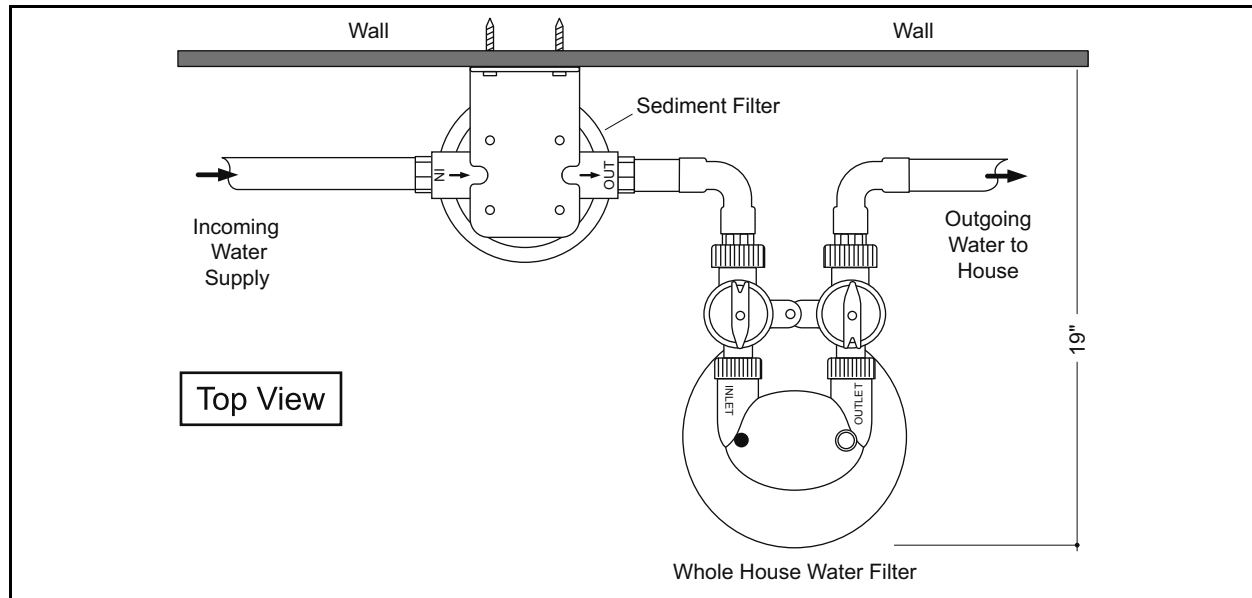


Figure 1

## Pre-Installation

### Bypass Valve Installation

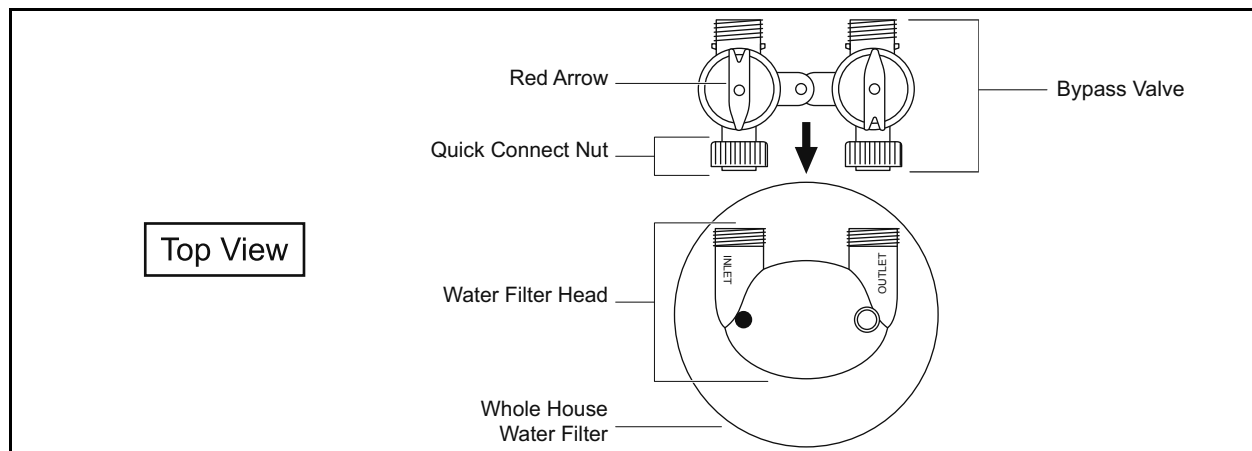


Figure 2

The Bypass Valve comes pre-assembled and ready to install with the O-Rings, Split Rings, and Quick Connect Nuts. Push the Bypass Valve into the head of the Whole House Water Filter with the unthreaded ends oriented toward the tanks and hand-tighten the Quick Connect Nuts.



### Notice:

The bypass valve(s) included with this system are designed for multiple Pelican water systems. This may result in the arrows on the bypass valve(s) pointing differently than shown. If the arrows on your bypass valve(s) do not match the diagram, remove the red arrows by pulling them straight up, turn them 180° to match the drawing, and push them back down onto the stem.

## Water Filter - Carbon Soak

### !!IMPORTANT!

Your system will not be ready for use for a minimum of 48 hours while the Carbon Soak process takes place. Please plan your installation accordingly.



### Notice:

Water will flow out of the outlet side of the Bypass Valve during this process. Be sure you perform this series of steps in a location suitable for water flow.

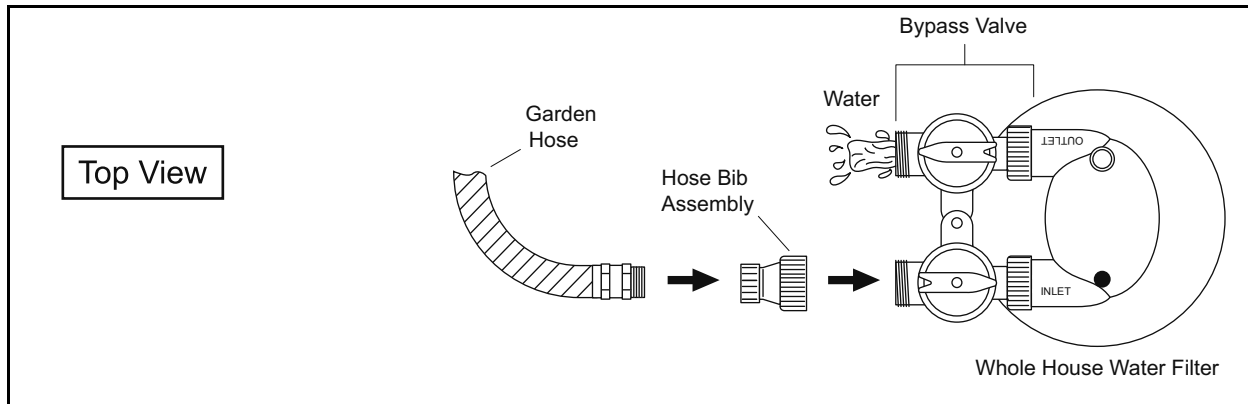


Figure 3

1. Attach a garden hose to the Hose Bib Assembly
2. Connect the Hose Bib Assembly to the inlet side of the Bypass Valve and hand tighten
3. Fill the Whole House Water Filter until water comes out of outlet side of the Bypass Valve.
4. Turn the water off.
5. Remove the garden hose from the Hose Bib Assembly. Do not remove the fitting.
6. Allow the carbon in the Water Filter to soak for a minimum of 48 hours prior to installation.

**NOTE:** Allowing the Whole House Water Filter to soak longer than 48 hours is completely fine as it will help with further saturation and minimize the break in period.



## Water Filter - Carbon Flush

### !!IMPORTANT!

Do not perform the Carbon Flush until the Carbon Soak process is complete.



### Notice:

Water will flow out of the outlet side of the Bypass Valve during this process. Be sure you perform this series of steps in a location suitable for water flow.

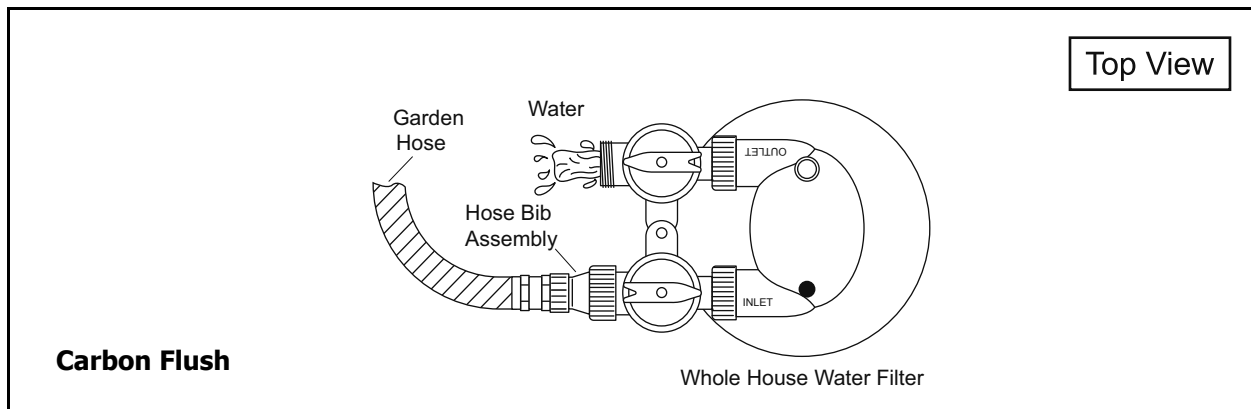
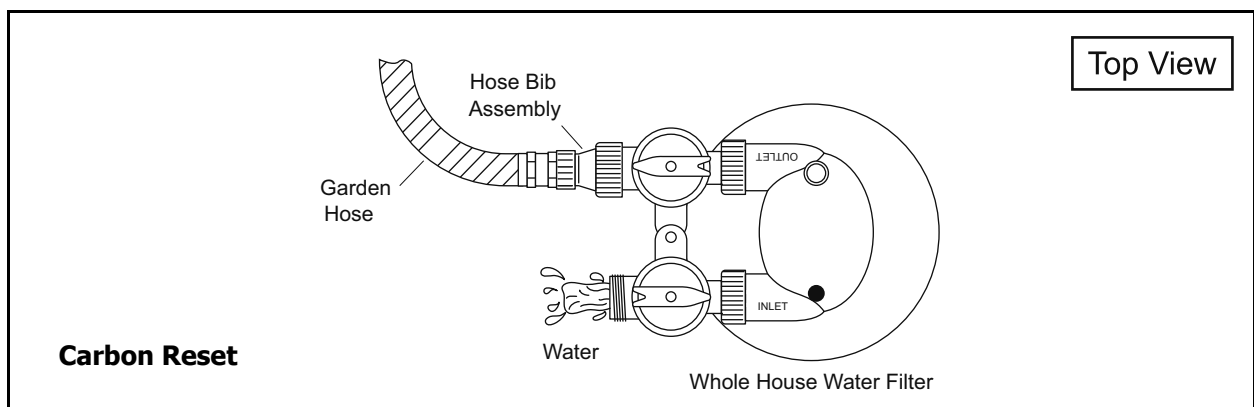


Figure 4

1. Reattach the garden hose to the Hose Bib Assembly.
2. Slowly turn on the water less than a 1/4 turn on the hose spigot.
3. Run water through the inlet side of the Bypass Valve for 30 minutes to expel any carbon fines.
4. Turn off the water.
5. Remove the Hose Bib Assembly from the inlet side and attach it to the outlet side of the Bypass Valve.
6. Slowly, fully open the hose spigot.
7. Run the water through the outlet side for 3 minutes to back-flush and reset the carbon.
8. Turn off the water.
9. Remove the Hose Bib Assembly from the Bypass Valve and disconnect the garden hose.

**Note:** Please save the Hose Bib Assembly as this will be used in the future for the carbon replacement.



## Installation

### Sediment Filter Assembly

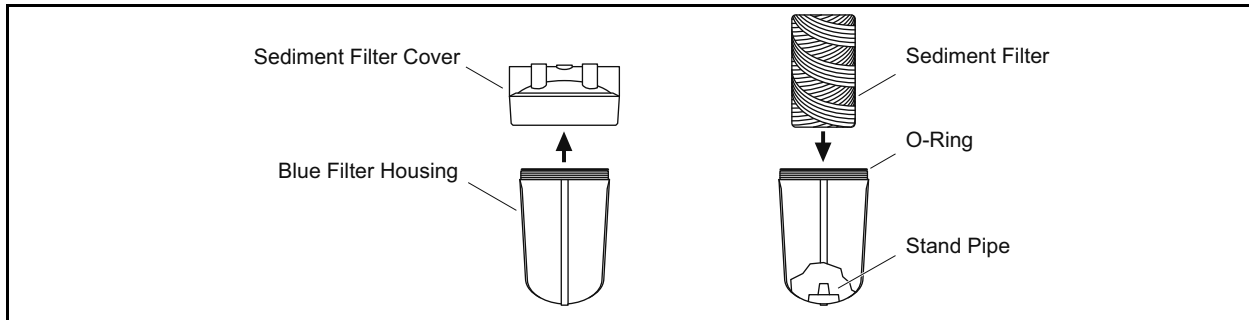


Figure 5

1. Unscrew the cover from the Blue Filter Housing.
2. Remove the plastic covering from the Sediment Filter.
3. Place the Sediment Filter onto the Stand Pipe in the Blue Filter Housing and set aside.

### Sediment Filter Installation

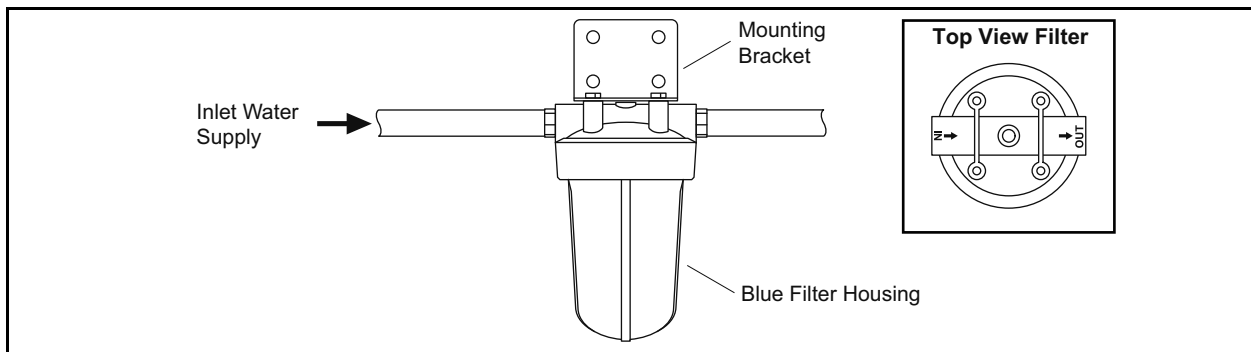


Figure 6

1. Shut off the water.
2. Attach the Filter Cover to the Mounting Bracket using the supplied Bolt Head Screws and Washers. Make sure to properly orientate the IN and OUT to match your flow pattern.
3. Attach the Mounting Bracket to the wall using the supplied Phillips Head Screws.
4. Hand tighten the Blue Filter Housing and then using the supplied Filter Wrench lightly snug the housing making sure not to over-tighten. (counter clockwise).
5. Determine the size of your inlet water supply line.



#### Notice:

The Sediment Filter Housing comes with a 1" threaded female inlet/outlet and will require additional fittings to adapt to your plumbing. A shut-off valve is recommended prior to the Sediment Filter System.

## Whole House Water Filter Tank Installation

1. Level the Pelican Whole House Water Filter.



### Notice:

If the tank is not level, lift the tank straight up 6 inches and tap it on the ground until the tank stands vertical. The bottom of the tank is round and the boot allows the tank to stand upright.

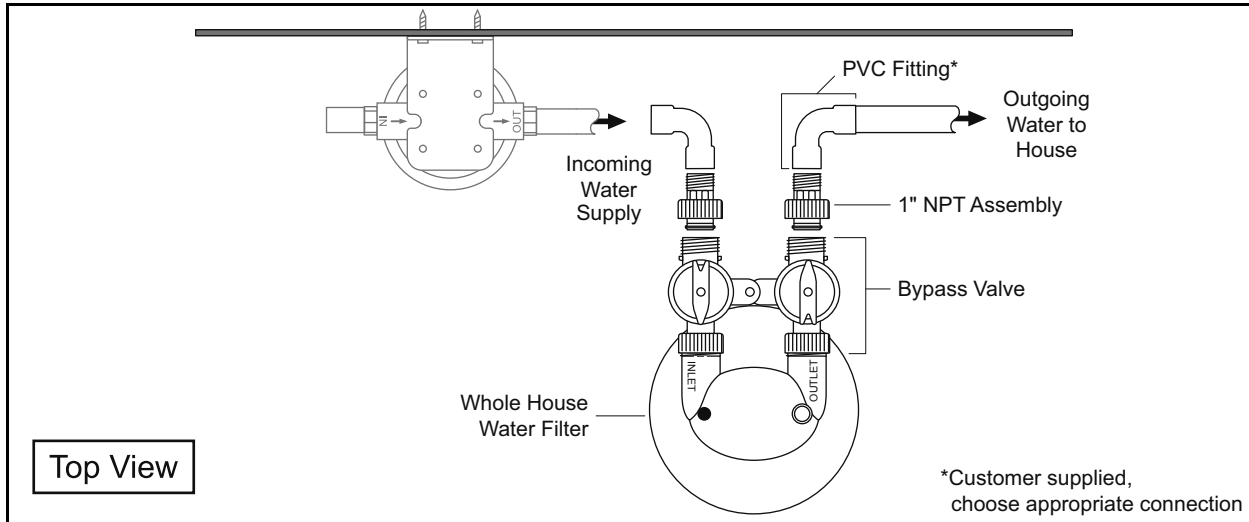


Figure 7

2. Determine the size and material of your incoming water supply line from the Pre-Filter System and choose the appropriate plumbing required to adapt to the 1" Male NPT Assembly.

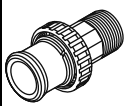


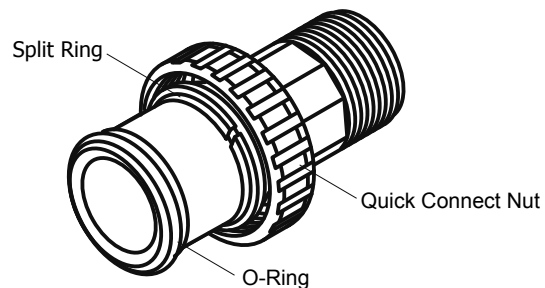
### CAUTION:

Do not over-tighten any of the fittings during installation.

### Table 2: Bypass Valve Fittings

**Note:** The fitting below is designed with a ¼" give to allow for proper pipe alignment. It will not leak and is intended to have some flexibility.

Part	Description	Qty.
	<b>1" Plastic Male NPT Assembly:</b> V3007-04 WS1 Fitting 1" Plastic Male NPT Assembly (2): O-Rings (2), Split Rings (2), and Connectors (2)	1 bag



3. Install the fitting onto the inlet and outlet sides of the Bypass Valve. Follow the diagram supplied with the fitting.
4. Connect the incoming water supply from the Sediment Filter system to the fitting on the inlet side of the Bypass Valve.
5. Connect the outgoing water supply to the outlet side of the Bypass Valve.

## Bypass Valve Operations

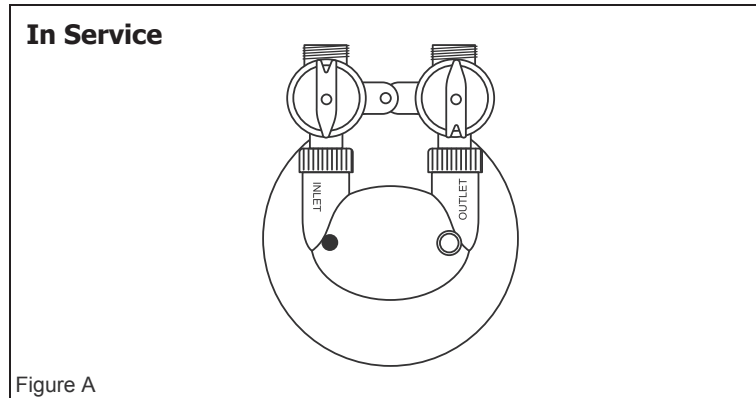


Figure A shows the system "in service" which allows water to flow in and out of the tank. In this position the system would be considered ON.

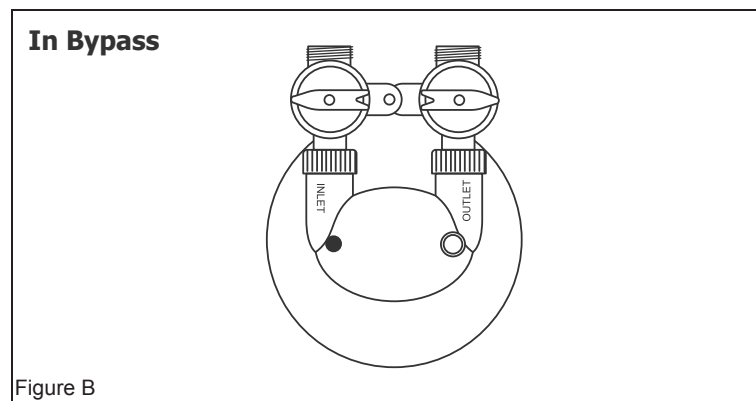
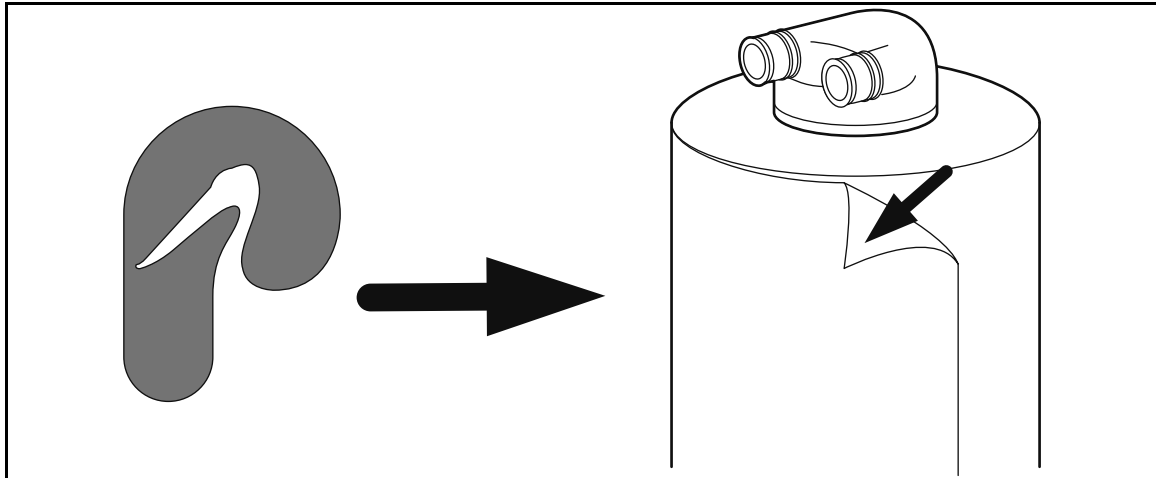


Figure B shows the system "in bypass" which will direct water straight to the home without going in and out of the tank. In this position the system would be considered OFF.

## Complete the Installation

1. Turn on the main water supply.
2. Check for leaks.
3. Peel off the protective plastic wrap from the stainless steel tank jackets.
4. Add the Pelican logo sticker in the desired location on the tank.



5. Wax stainless steel tank jacket(s) with wax provided or any other non-abrasive auto wax a minimum of 1-2 times per year or as needed based on the installed environment.

### **⚠ CAUTION:**

Avoid high flow rates such as bathtub, utility sinks, hose bibs, multi-headed showers, body sprayers, or anything that is considered high flow for the first 72 hours to avoid flow restrictions caused by carbon blockage of the top basket inside the carbon tank.

### **⚠ CAUTION:**

Carbon dust may be released into the water lines of the house/building during the first few days of water use after carbon tank installation. The carbon dust is harmless, but may give the water a gray appearance that should diminish within a week or 10 days depending on water use.

## Maintenance

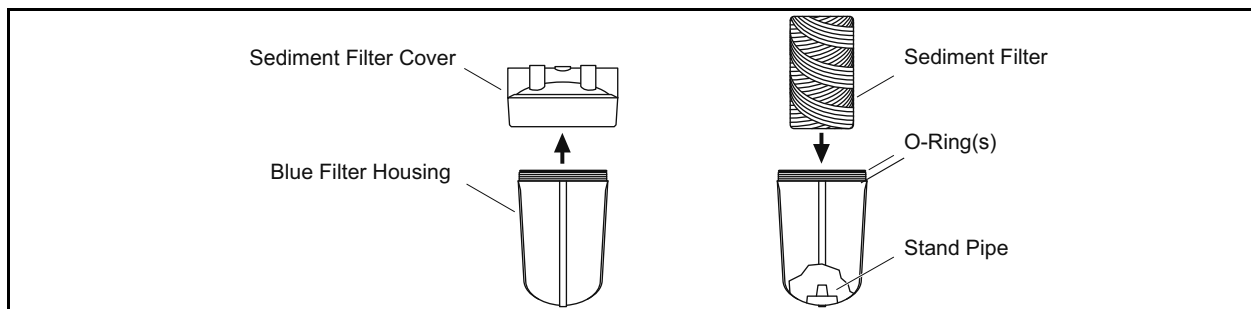
### Premium Whole House Water Filter

Your Pelican PC600/PC1000 Premium Whole House Water Filter requires care and cleaning after a period of 5 years. Replacement media and instructions can be ordered on-line at [www.pelicanwater.com](http://www.pelicanwater.com) or by calling 877-842-1635. Model numbers for replacement media are PC600-R or PC1000-R.

### Sediment Filter

It is recommended that the Sediment Filter be replaced every 6-9 months depending on the amount of sediment present in the water supply. If the system has been working properly and the pressure is slowing, it may be time to change the Sediment Filter. Check the Sediment Filter and replace if necessary. Replacement sediment filters can be ordered on-line at [www.pelicanwater.com](http://www.pelicanwater.com) or by calling 877-842-1635. Model numbers for sediment filters are PC40 and PC80

### Replacing the Sediment Filter



1. Turn off the main water supply to the Sediment Filter System and bypass all tanks.
2. Run a faucet (cold water) inside the house to relieve the pressure. (Leave faucet open)
3. Unscrew the Blue Filter Housing clockwise using the supplied Filter Wrench.
4. Remove the existing Sediment Filter and discard.
5. Remove the O-Ring(s) and wipe the groove clean. Lubricate a new O-Ring(s) with a coating of clean silicone grease. Replace O-Ring(s) and press the O-Ring(s) down into the groove with two fingers on the top, and gently stretch the second one to the outside groove just below the top groove.  
**Note:** Your sediment filter has 2 o-rings. This step is important to ensure the proper filter seal. Make sure the O-Ring(s) are seated level in the groove or outside lip. If the O-Ring appears damaged, stretched, or crimped it should be replaced.
6. Place a new Sediment Filter onto the Stand Pipe in the Blue Filter Housing.
7. Screw the Blue Filter Housing onto the Filter Cover hand tight. Lightly snug the housing with the spanner wrench making sure not to over-tighten.
8. Turn on main water supply slowly to allow the Sediment Filter System to fill with water and expel air from lines. Put tanks back in service, out of bypass.
9. Check for leaks.

## Troubleshooting

Problem	Solution
Water leaking at the top of the tank around the head.	You may need to turn the head to tighten it. The tank head is pre-installed hand-tight, do not overtighten the head (just turn it snug).
The tank leans to one side or is not level.	If the tank is not level, lift the tank straight up 6 inches and tap it on the ground until the tank stands vertical. The bottom of the tank is round and the boot allows the tank to stand upright.
<p>The diagrams illustrate the process of leveling the tank. The top row shows an unlevel tank with a curved boot. The middle diagram shows the tank being lifted up. The right diagram shows the tank being tapped down to level. The bottom row shows an unlevel tank with a curved boot. The middle diagram shows the tank being lifted up. The right diagram shows the tank being tapped down to level, with labels for 'Level Tank' and 'Unlevel Boot'.</p>	
Water pressure is slowing.	It is recommended that the Sediment Filter be replaced every 6-9 months depending on the amount of sediment present in the water supply. If the system has been working properly and the pressure is slowing, it may be time to change the Sediment Filter. Check the Sediment Filter and replace if necessary.
Water appears grey or cloudy.	Water may appear grey or cloudy for the first seven to ten days after installation due to extra carbon dust.
Water pressure is slowing immediately after installation.	High flow rates such as bathtubs, utility sinks, hose bibs, multi-headed showers, body sprayers, or anything that is considered high flow for the first 72 hours should be avoided. If you suspect a carbon blockage of the top basket due to a high-flow situation within the first 72 hours of installation, turn off any running water for at least 10 minutes. This will clear the blockage and you can resume using water at low or normal flow rates.

## Warranty

### Pelicans Limited Lifetime Warranty

Pelican Water ("Pelican") warrants to the end user ("customer") that its tanks (13" & smaller), valves, in/out heads, bypass's, fittings, Natursoft media and housings ("Covered Items") will be free from defects in material and workmanship under normal use and service for the life of the system. No warranty is made with respect to defects or damaged due to neglect, misuse, alterations, accident, misapplication, physical damage, installation on water quality outside guidelines for system or damaged caused by fire, acts of God, or freezing.\*\*

### Limitations and Responsibilities

Pelican's obligation to the customer under these warranties shall be limited, at its option, to replacement or repair of Covered Items by these warranties, labor is not covered. Prior to return or repair of Covered Items, the customer must obtain a return goods authorization number from Pelican and at Pelicans option, return the Covered Items freight prepaid. Any Covered Item repaired or replaced under these warranties will be returned prepaid standard freight to the original point of shipment. Expedited freight options are available at customer expense.

No warranty is made with respect to defects or damaged due to neglect, misuse, alterations, accident, misapplication, physical damage, or damaged caused by fire, acts of God, or freezing. These warranties apply only to the original registered owner so long as the owner owns the home in which the unit was originally installed. Customer must register their system with Pelican within 90 days of purchase\* in order to obtain a warranty. Warranty will discontinue after the unit is removed from the location where it was originally installed. Warranty begins on the date of delivery of product to the customer. Improper maintenance of system (i.e. not replacing filters or media) on time will be considered "neglect". Installation of any system on water conditions outside of or beyond the recommended specs of any system voids any warranty.

Pelican gives this warranty to the customer in lieu of all other warranties, express or implied, including without limitation any implied warranties of merchantability or fitness for a particular purpose or treatment of certain water and hereby expressly disclaims all other such warranties. Pelican's liability hereunder shall not exceed the cost of the product. Under no circumstances will Pelican be liable for any incidental or consequential damages or for any other loss, damage or expense of any kind, including loss of use, arising in connection with the installation or use or inability to use the Covered Items or any water treatment system the Covered Items are incorporated into. These warranties are governed by the laws of the state of Florida and may change at any time without notice.

\*Failure by California and Quebec residents to complete the product registration form does not diminish their warranty rights.

\*\*For all orders placed on or after June 3rd, 2011.

### Manufacturer's Performance Guarantee

The Pelican PC600 Premium Whole House Water Filter is guaranteed to perform for 650,885 gallons or (5) years whichever comes first. The Pelican PC1000 Premium Whole House Water Filter is guaranteed to perform for 1,301,770 gallons or (5) years whichever comes first. This guarantee covers the reduction of chlorine and chloramine below minimum detection levels (MDL) for levels less than or equal to maximum influent levels allowed in NSF/ANSI 42. The authorized dealers shall be responsible for the repair or replacement of defective media only, labor to replace the media is the responsibility of the purchaser.



---

## Warranty Registration Form

Send in this Warranty Registration Form to validate your warranty or visit [www.PelicanWater.com](http://www.PelicanWater.com) to complete warranty registration form online.

---

### Pelican Warranty Registration Form

<b>Date Item(s) were Received:</b>	<b>Order ID#:</b>	<b>Model:</b>
_____	_____	_____
<b>Dealer Purchased From:</b>		
_____		
<b>Model/Serial Number:</b>		
_____		
<b>Name:</b>	_____	
<b>Address:</b>	_____	
<b>City:</b>	<b>State:</b>	<b>Zip:</b>
_____	_____	_____

#### Send To:

Pelican Water Systems  
3060 Performance Circle, Suite 2  
DeLand, FL 32724  
Phone: 1-(877) 842-1635

---

#### Plumber's Information (optional)

We like to recommend good plumbers throughout the USA and if you were happy with your installer please give us their information so we can pass it on as a courtesy. Thank you for your time.

---

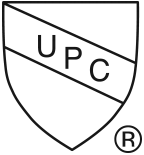

**Name of Plumbing Company used to install system:** \_\_\_\_\_

**Phone #:** (\_\_\_\_\_) - \_\_\_\_\_ of the Plumbing installer

**!IMPORTANT!**

Do not use where water is microbiologically unsafe or with water of unknown quality without proper disinfection before or after the filter/softener system.

## Product Certifications

	<p>PC600/PC1000 - Certified By IAPMO R&amp;T to NSF/ANSI 42 for Chlorine Taste and Odor Reduction, and Structural Integrity.</p>
	<p>PC600/PC1000 - Certified By IAPMO R&amp;T to NSF/ANSI 61 for Material Safety.</p>
	<p>Please view our Performance Data Sheet on the next page.</p>

Performance Data - Pelican Whole House Filters						
Model	Replacement	Max Operating Pressure	Rated Capacity	Operating Temp Range	Rated Flow	Rated Pressure Drop (At Rated Flow)
PC600	PC600-R	25 - 80 pSI	662,400 gallons	36-120° F	8 gpm	13 pSI
PC1000	PC1000-R	25 - 80 pSI	1,324,800 gallons	36-120° F	12 gpm	13 pSI
PC1354	PC1354-R	25 - 80 pSI	1,987,200 gallons	36-120° F	17 gpm	15 pSI

This system has been tested according to NSF/ANSI 42 for the reduction of the substances listed below. The concentration of the indicated substances in the water entering the system was reduced to a concentration less than or equal to the permissible limit for water leaving the system, as specified in NSF/ANSI 42.

NSF/ANSI 42	Influent Challenge Chlorine	Minimum Required Reduction	Average Reduction %	Results
Chlorine Reduction, Free Available	2 mg/L ±10%	≥50%	95.93%	Pass

Data Summary - Pelican Whole House Filters					
Model	Accumulated Volume (gal)	Chlorine, Free Available (mg/L)		Flow Rate (gpm)	Reduction %
		Influent	Effluent 1		
PC600	650,885 gallons	2.05	0.07	8 gpm	96.6%
PC1000	1,301,770 gallons	2.05	0.07	12 gpm	96.6%
PC1354	1,952,655 gallons	2.05	0.07	17 gpm	96.6%

Testing was performed under standard laboratory conditions, actual performance may vary. Filter usage and installation must comply with all state and local laws.

Filter is only to be used on cold water. Do not use with water that is microbiologically unsafe or of unknown water quality without adequate disinfection before or after the system.

See owner's manual for operation & maintenance requirements, manufacturer's limited warranty and installation conditions.



Certified By IAPMO R&T to NSF/ANSI Standard 42 for the reduction of Chlorine Taste & Odor, structural integrity & NSF/ANSI 61 for material safety.



**Pelican Water Systems**  
 3060 Performance Cir, Suite 2 • Deland, FL • 32724  
 877-842-1635 | www.pelicanwater.com