

CS2240, CS2240 S

Spare parts

Ersatzteile

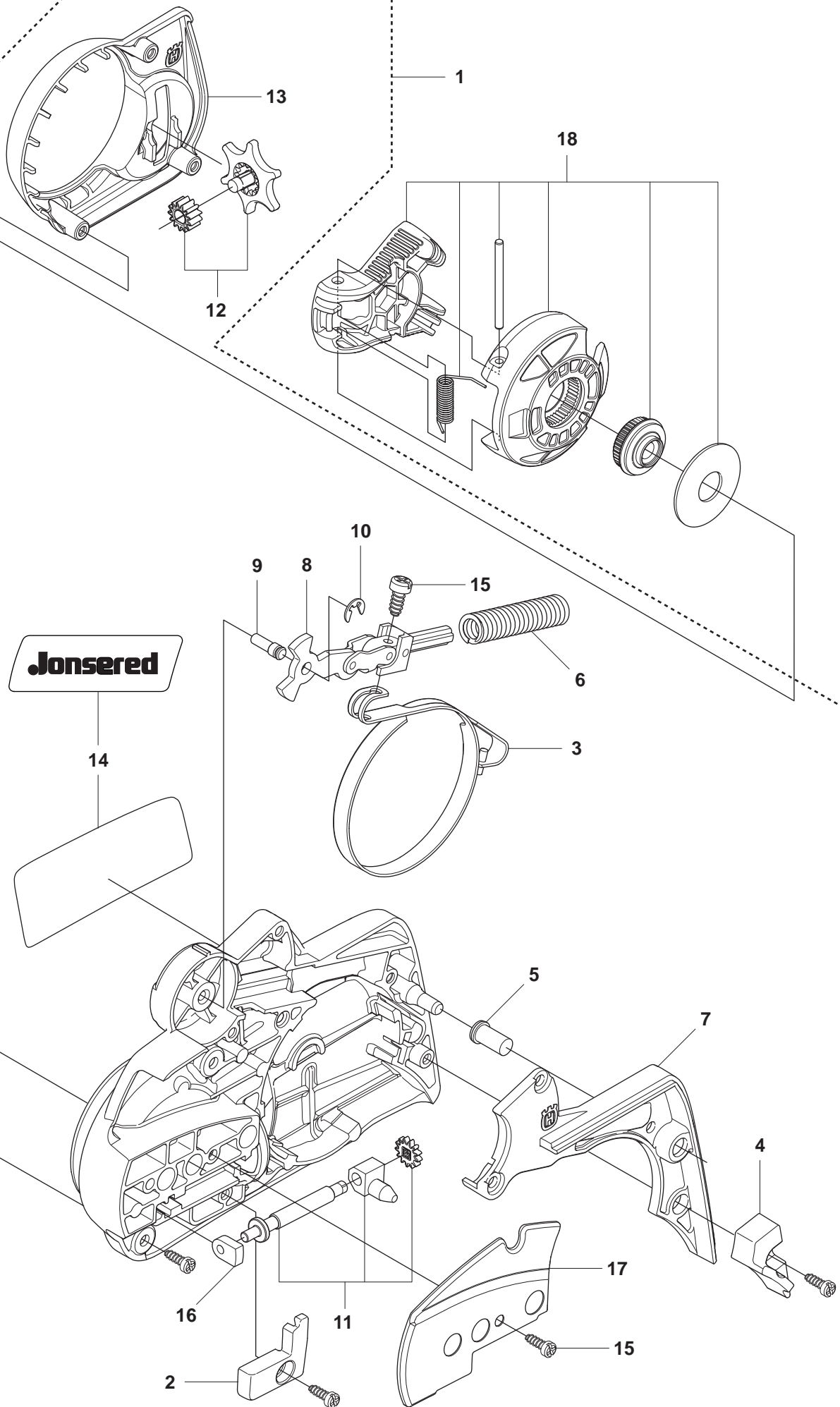
Pièces détachées

Reserve onderdelen

Repuestos

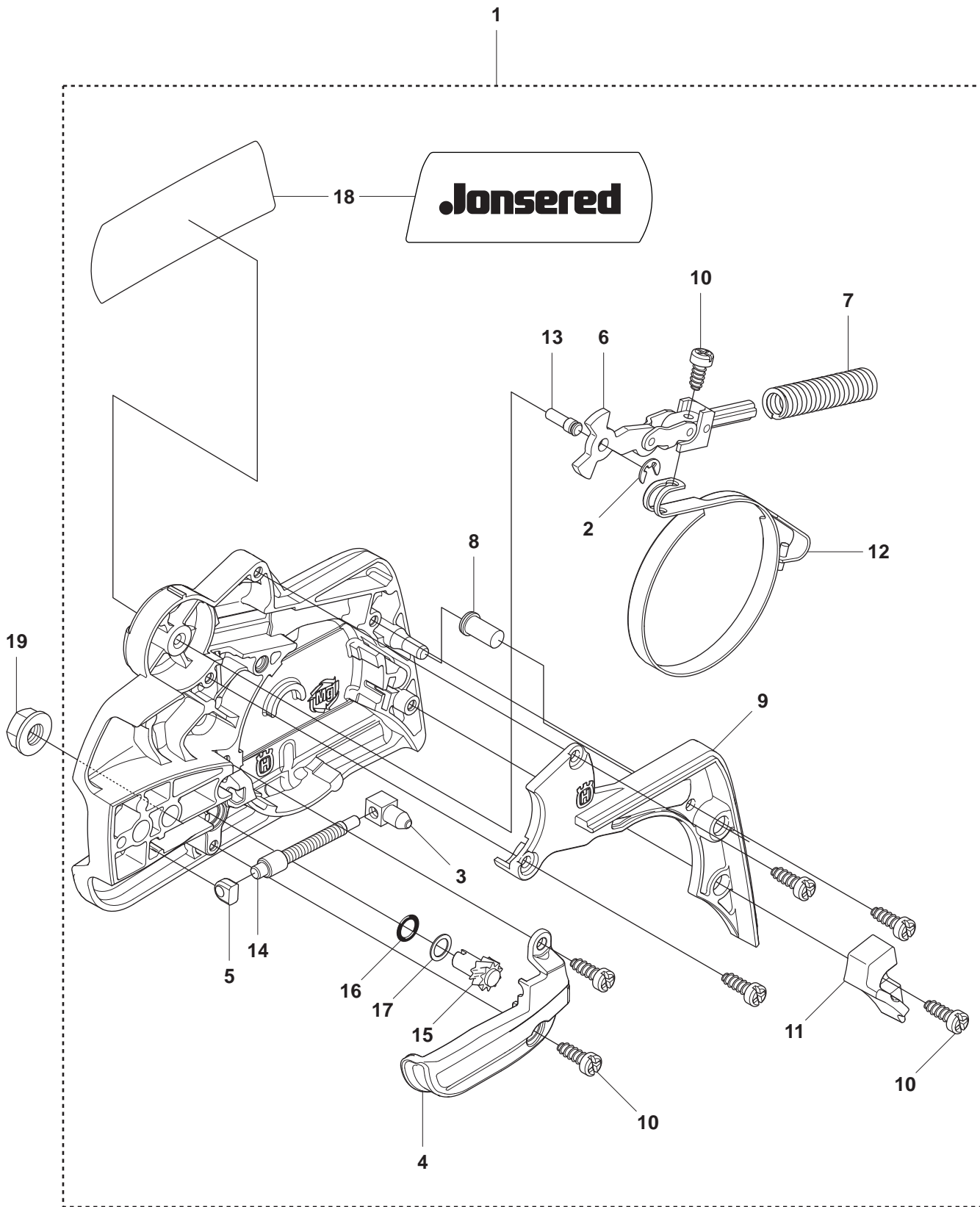
Reservdelar

A1 CS2240S



Page A1 CS2240S

Position	Article	Quantity	Description	Kit
1	544 19 49-02	1	Clutch cover assy	
2	504 54 28-01	1	Cover	1
3	544 30 60-01	1	Brake band assy	1
4	544 25 31-01	1	Wear protection	1
5	503 85 52-01	1	Guide bushing	1
6	503 89 26-01	1	Brake spring	1
7	544 24 85-01	1	Cover lid	1
8	503 89 08-02	1	Knee joint	1
9	503 89 29-01	1	Pin knee joint	1
10	735 31 08-20	1	E-clip	1
11	537 39 29-01	1	Chain tension screw	1
12	537 34 72-02	1	Chain tensioner wheel	1
13	537 39 26-02	1	Heat protector	1
14	544 35 75-02	1	Label	1
15	503 21 70-10	10	Screw	1
16	544 84 55-01	1	Bearing sleeve	1
17	544 25 05-01	1	Wear plate	1
18	537 34 78-02	1	Knob	

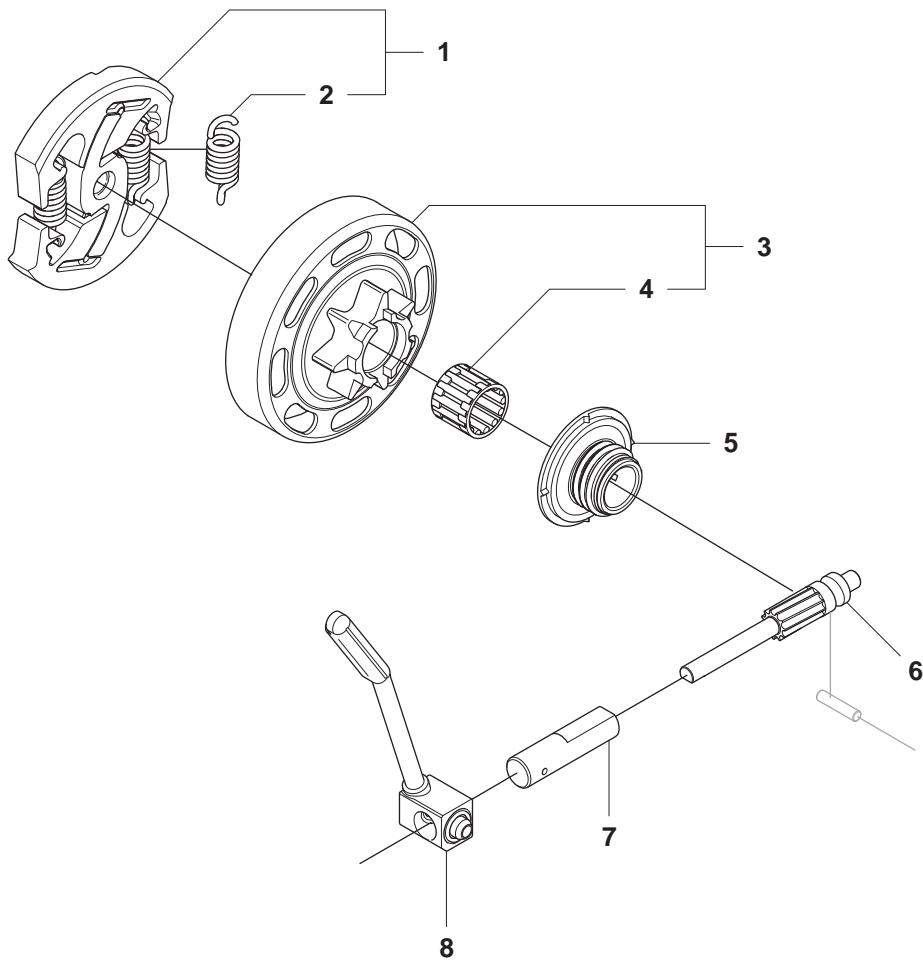


Page A2 CS2240

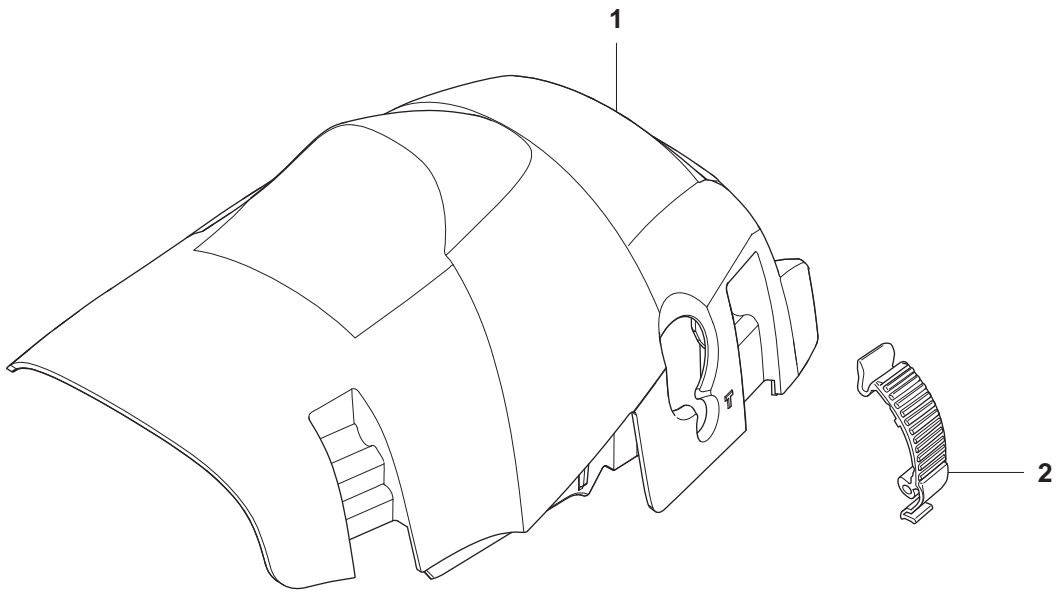
Position	Article	Quantity	Description	Kit
1	501 38 82-02	1	Clutch cover assy	
2	735 31 08-20	1	E-clip	1
3	537 28 66-01	1	Pawl	1
4	540 06 33-01	1	Chain guide	1
5	537 01 74-01	1	Bearing sleeve	1
6	503 89 08-02	1	Knee joint	1
7	505 89 26-01	1	Brake spring	1
8	503 85 52-01	1	Guide bushing	1
9	544 24 85-01	1	Cover lid	1
10	503 21 70-10	7	Screw	1
11	544 25 31-01	1	Wear protection	1
12	544 30 60-01	1	Brake band assy	1
13	503 89 29-01	1	Pin	1
14	537 39 70-01	1	Worm screw	1
15	537 07 94-02	1	Worm wheel	1
16	740 48 07-02	1	O-ring	1
17	503 23 00-63	1	Washer	1
18	544 37 68-02	1	Label, clutch cover	1
19	503 22 00-01	1	Nut	

B

CS2240, CS2240S



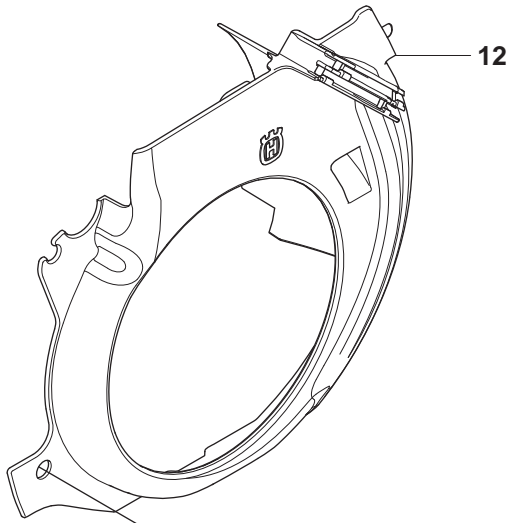
Position	Article	Quantity	Description	Kit
1	544 87 12-01	1	Clutch assy	
2	502 08 03-01	2	Clutch spring	1
3	505 44 15-01	1	Clutch drum assy	
4	503 53 92-01	1	Support bushing	3
5	544 21 24-01	1	Worm gear	
6	540 05 79-01	1	Pump piston	
7	537 15 48-01	1	Pump cylinder	
8	544 08 42-01	1	Oil hose	



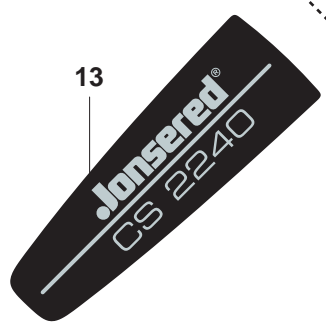
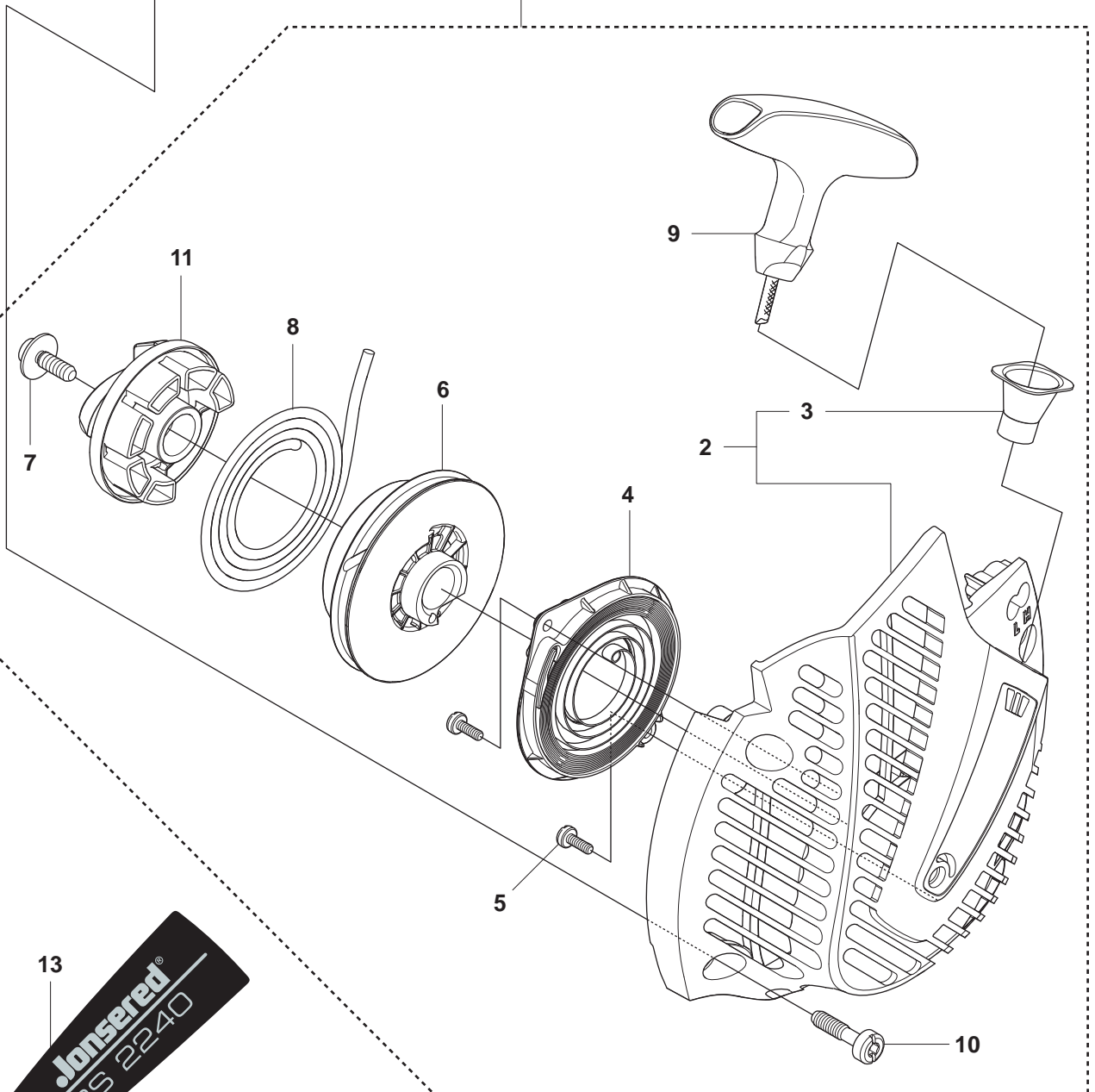
Page C **CS2240**
 CS2240S

Position	Article	Quantity	Description	Kit
1	505 19 21-01	1	Cylinder cover kpl	
2	503 89 47-02	1	Snap	

D1 CS2240



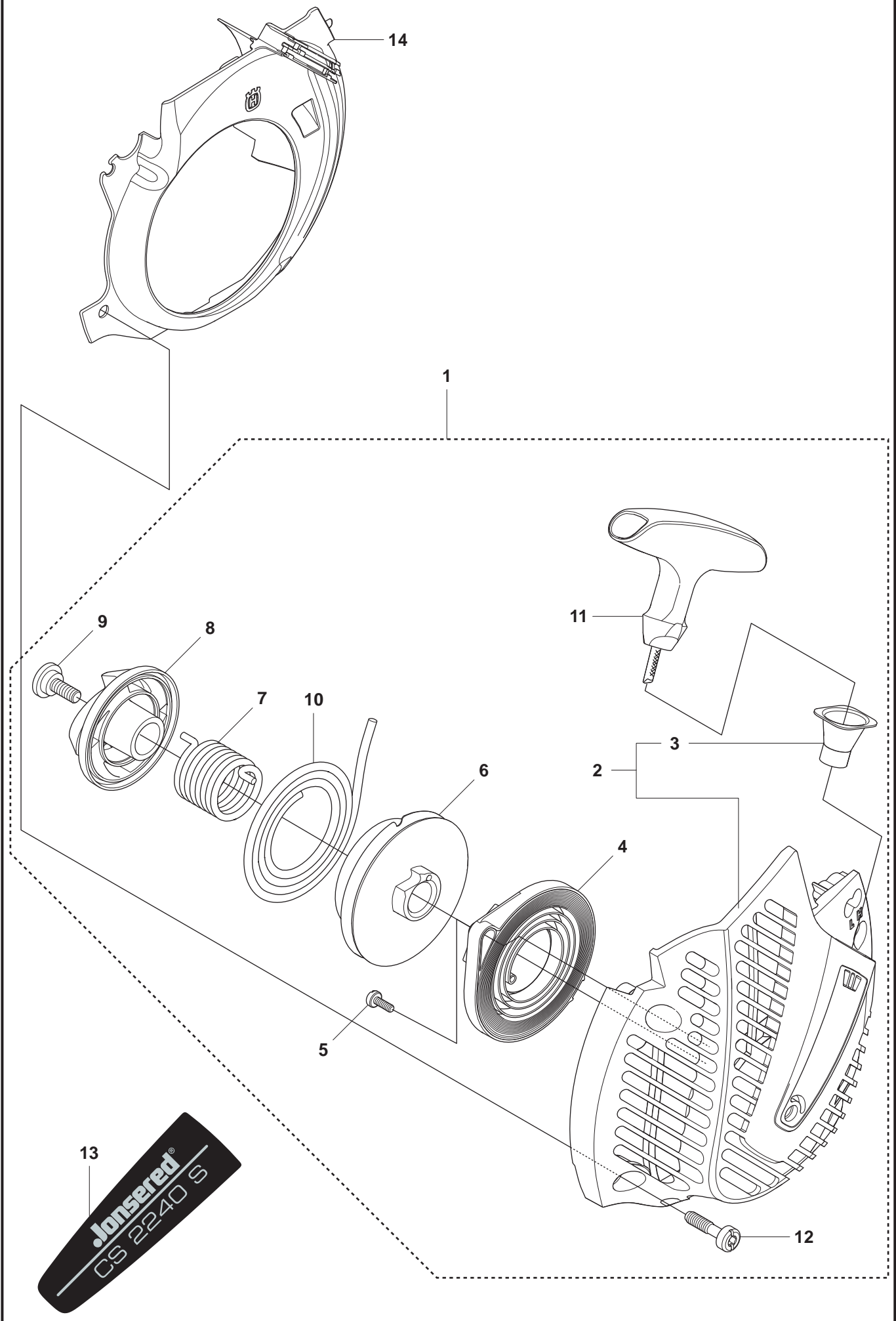
1



Page D1 CS2240S

Position	Article	Quantity	Description	Kit
1	516 02 07-02	1	Starter assy, std	
2	505 42 54-01	1	Starter housing	1
3	510 41 11-01	1	Reinforcement sleeve	1
4	540 05 75-01	1	Spring cassette assy	1
5	503 21 28-10	2	Screw CCRPANT	1
6	537 42 32-01	1	Starter pulley	1
7	537 42 66-01	1	Screw IHSCT	1
8	505 30 51-25	1	Starter cord	1
9	544 37 65-01	1	Starter handle	1
10	503 21 73-21	4	Screw CIHSCTO	1
11	510 44 33-01	1	Driver	1
12	544 19 71-01	1	Cooling air conductor	
13	522 59 98-01	1	Label, Starter	

D2 CS2240S

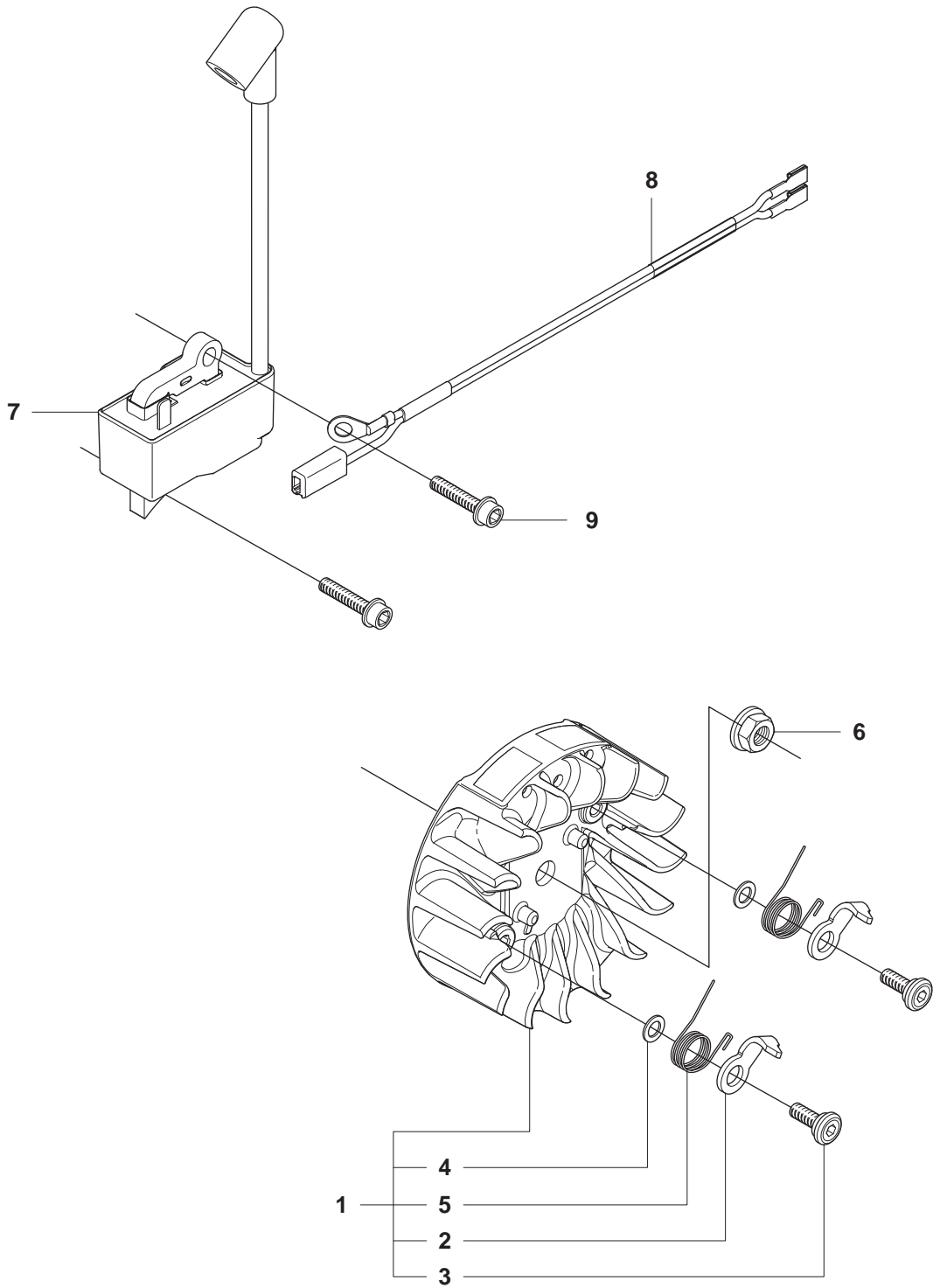


Page D2 CS2240S

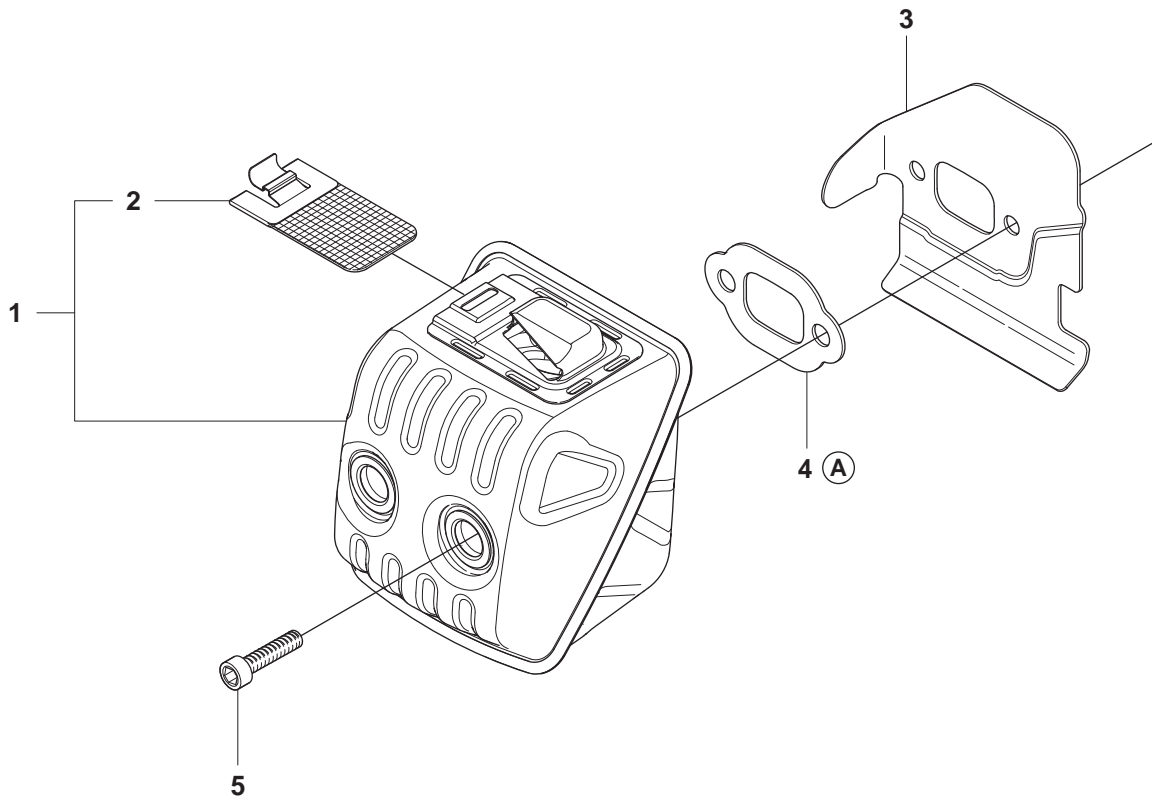
Position	Article	Quantity	Description	Kit
1	505 42 55-02	1		
2	505 42 54-01	1	Starter housing	1
3	510 41 11-01	1	Reinforcement sleeve	1
4	540 05 75-01	1	Spring cassette assy	1
5	503 21 28-10	2	Screw CCRPANT	1
6	537 42 32-01	1	Starter pulley	1
7	505 64 73-01	1	Spring	1
8	537 42 33-01	1	Driver	1
9	537 42 66-01	1	Screw	1
10	505 30 51-25	1	Starter cord	1
11	544 37 65-01	1	Starhandtag	1
12	503 21 73-21	4	Screw CIHSCTO	1
13	522 59 98-02	1	Label, Starter	
14	544 19 71-01	1	Cooling air conductor	

E

CS2240, CS2240S

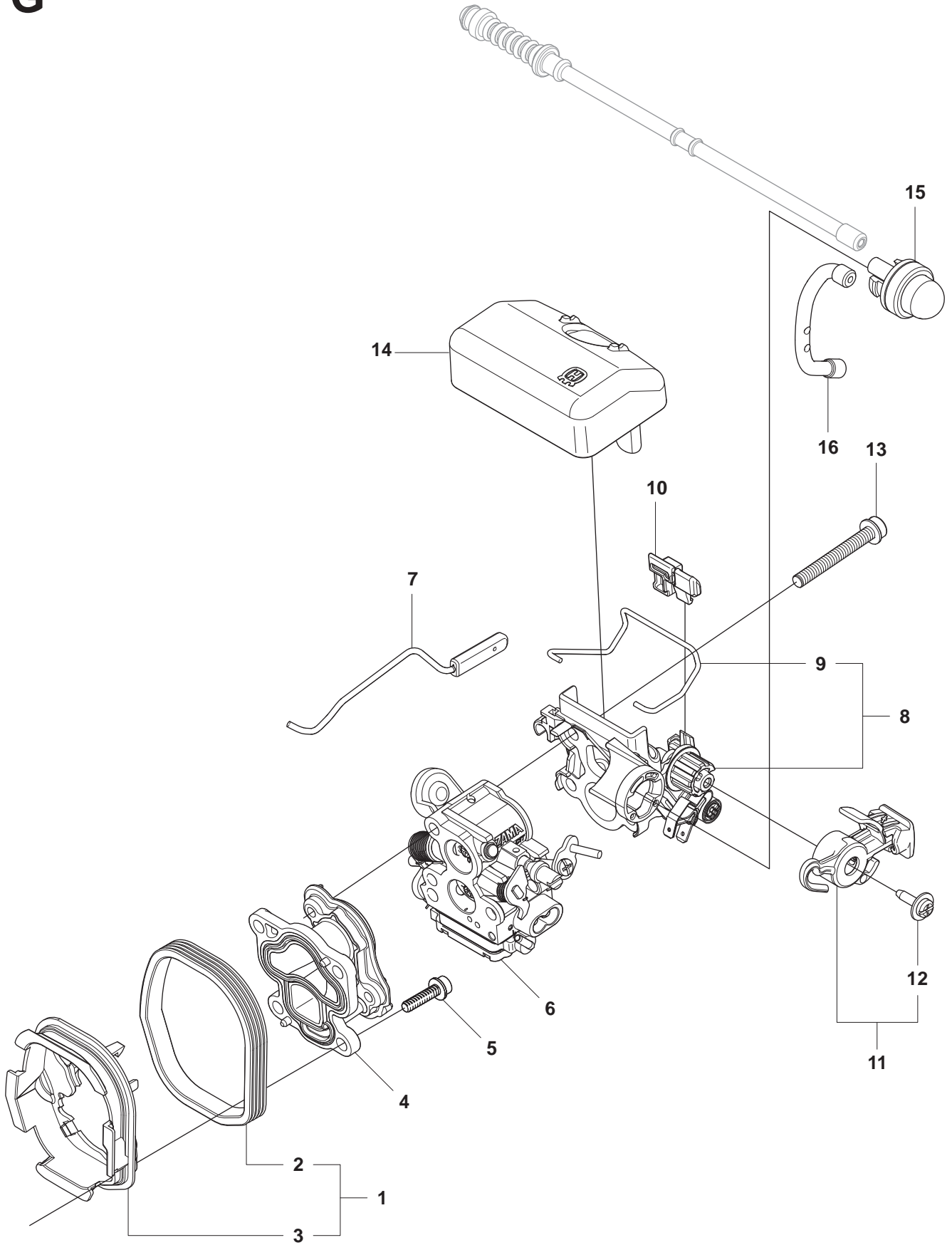


Position	Article	Quantity	Description	Kit
1	544 87 42-01	1	Flywheel assy	
2	537 24 56-01	2	Starter pawl	1
3	501 81 99-03	2	Screw	1
4	503 23 00-42	2	Washer steel	1
5	503 78 32-01	2	Spring	1
6	503 22 04-01	1	Nut	
7	505 42 72-01	1	Ignition module	
8	544 84 82-01	1	Wiring assy	
9	503 20 02-20	2	Screw IHSCFM	



**Page F CS2240
CS2240S**

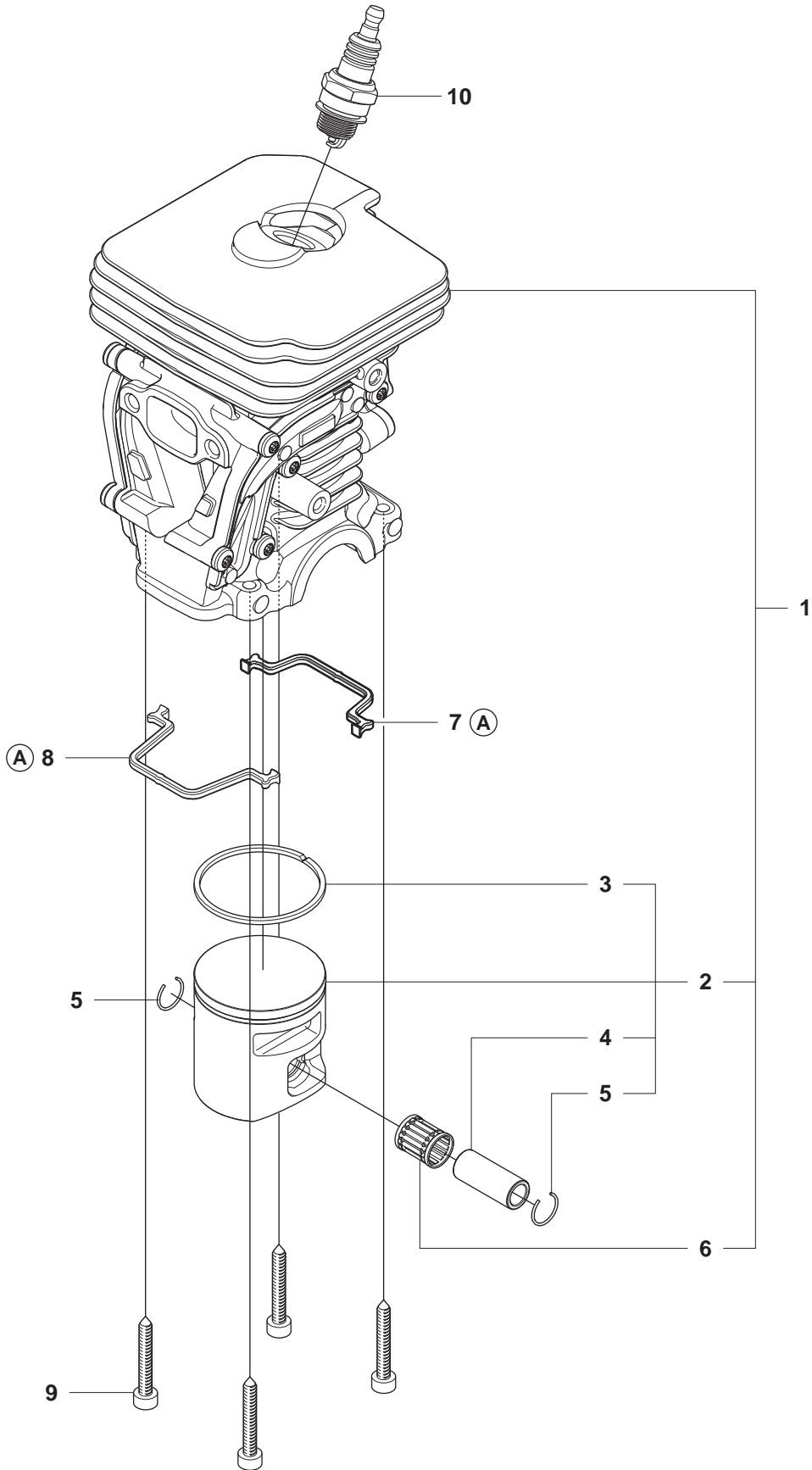
Position	Article	Quantity	Description	Kit
1	544 14 77-01	1	Muffler assy	
2	544 14 84-01	1	Spark arrester	1
3	501 32 31-01	1	Heat deflector	
4	544 08 44-01	1	Gasket	
5	725 53 68-55	2	Screw	



Position	Article	Quantity	Description	Kit
1	504 72 47-01	1	Insulation wall assy	
2	504 72 45-01	1	Insulation wall rubber	1
3	504 72 44-01	1	Inulation wall plastic	1
4	504 20 12-01	1	Inlet pipe	
5	503 20 02-16	4	Screw	
6	506 45 05-01	1	Carburettor	
7	544 28 44-01	1	Throttle rod assy	
8	544 97 64-01	1	Filter holder assy	
9	544 39 26-01	1	Shackle	8
10	504 71 25-01	1	Guide sliding shoe	
11	544 84 43-02	1	Control assy	
12	544 97 66-01	1	Screw	11
13	503 20 02-40	3	Screw	
14	544 80 54-02	1	Air filter assy (44 micron)	
14	544 80 54-03	1	Air filter assy (felt)	
15	503 93 66-01	1	Air purge	
16	544 40 19-01	1	Hose, airpurge suction	

H

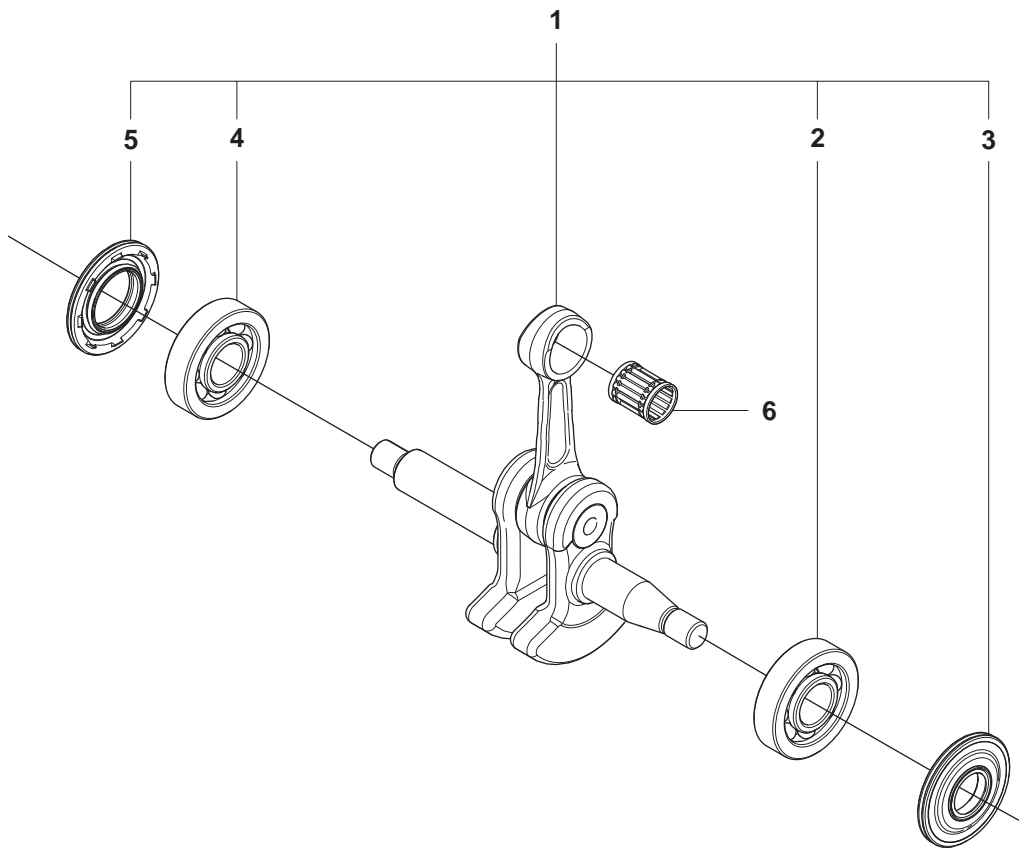
CS2240, CS2240S



Position	Article	Quantity	Description	Kit
1	504 73 51-01	1	Cylinder assy	
2	502 62 50-02	1	Piston assy	1
3	544 40 59-01	1	Piston ring	2
4	544 40 60-01	1	Piston pin	2
5	537 39 99-01	2	Circlip	2
6	503 41 41-01	1	Needle bearing	1
7	544 39 60-01	1	Gasket, cylinder rear	
8	544 39 59-01	1	Gasket, cylinder front	
9	725 53 33-55	4	Screw	
10	503 23 51-11	1	Spark plug	

J

CS2240, CS2240S

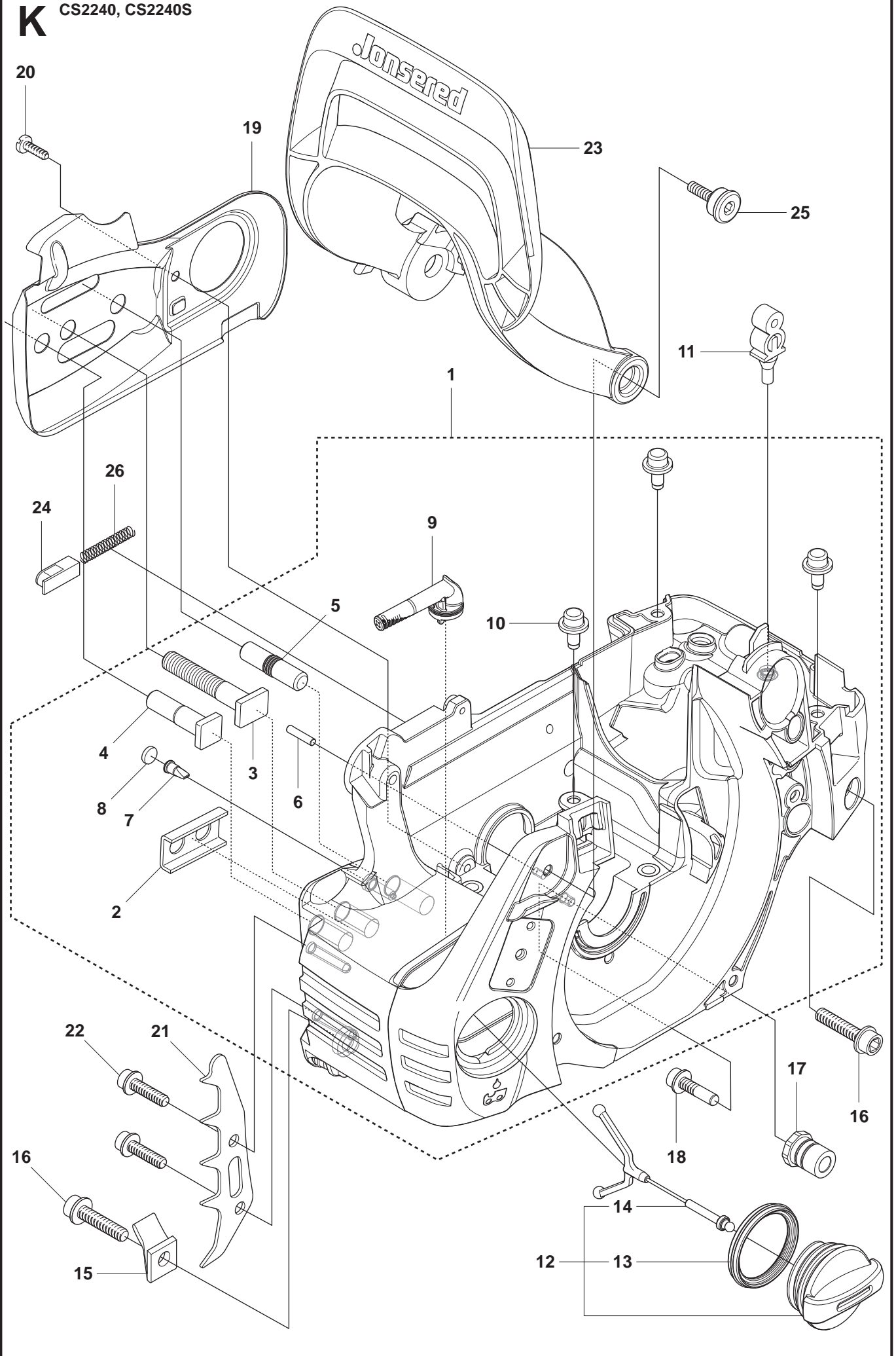


Page J **CS2240**
CS2240S

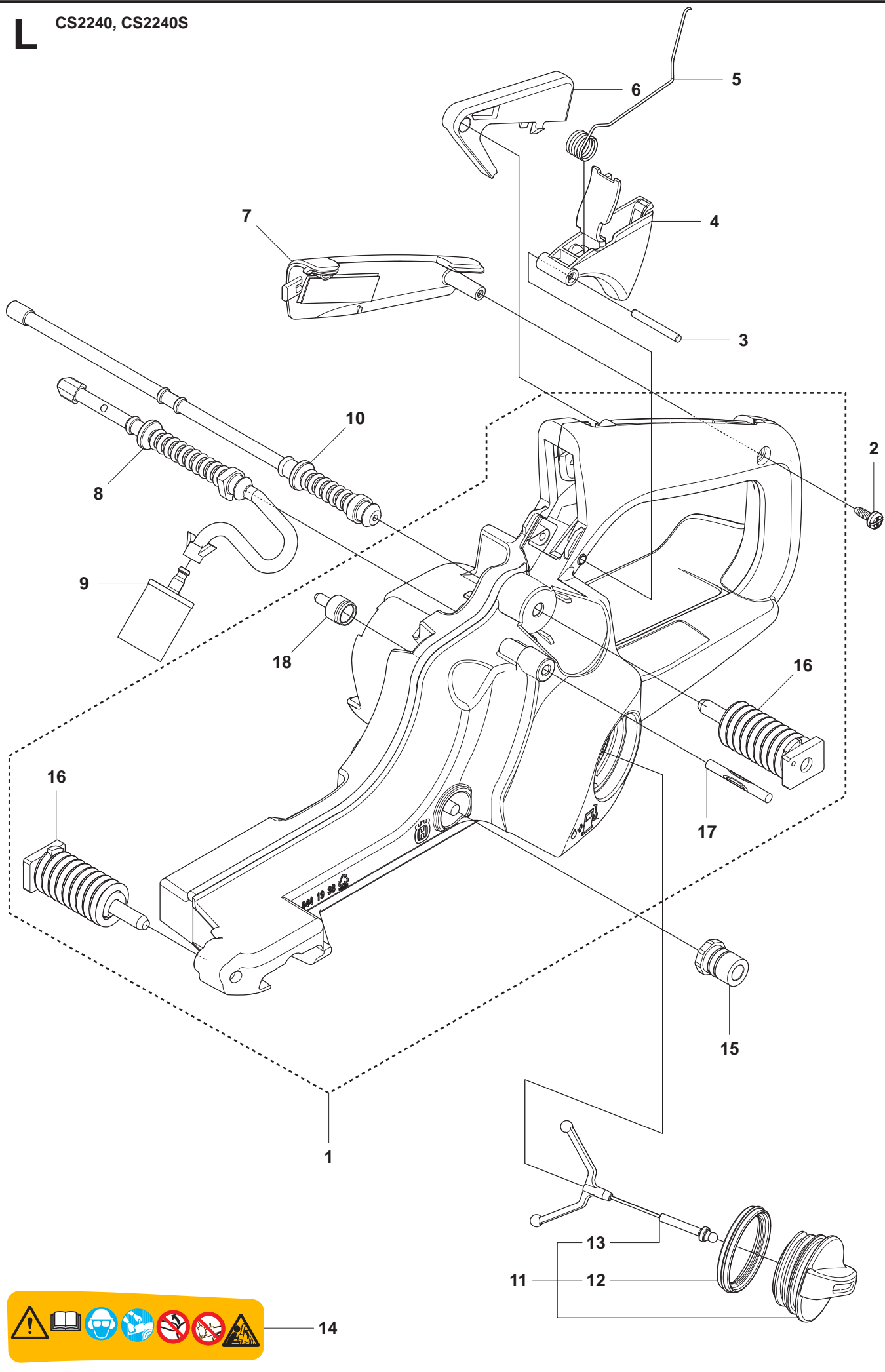
Position	Article	Quantity	Description	Kit
1	544 34 38-01	1	Crankshaft	
2	544 24 87-01	1	Ball bearing 6001 OD32	1
3	544 25 12-01	1	Sealing 12x32x3,7	1
4	544 24 88-01	1	Ball bearing 6001 OD32w	1
5	544 25 13-01	1	Sealing 16,6x32,3,7	1
6	503 41 41-01	1	Needle bearing	

K

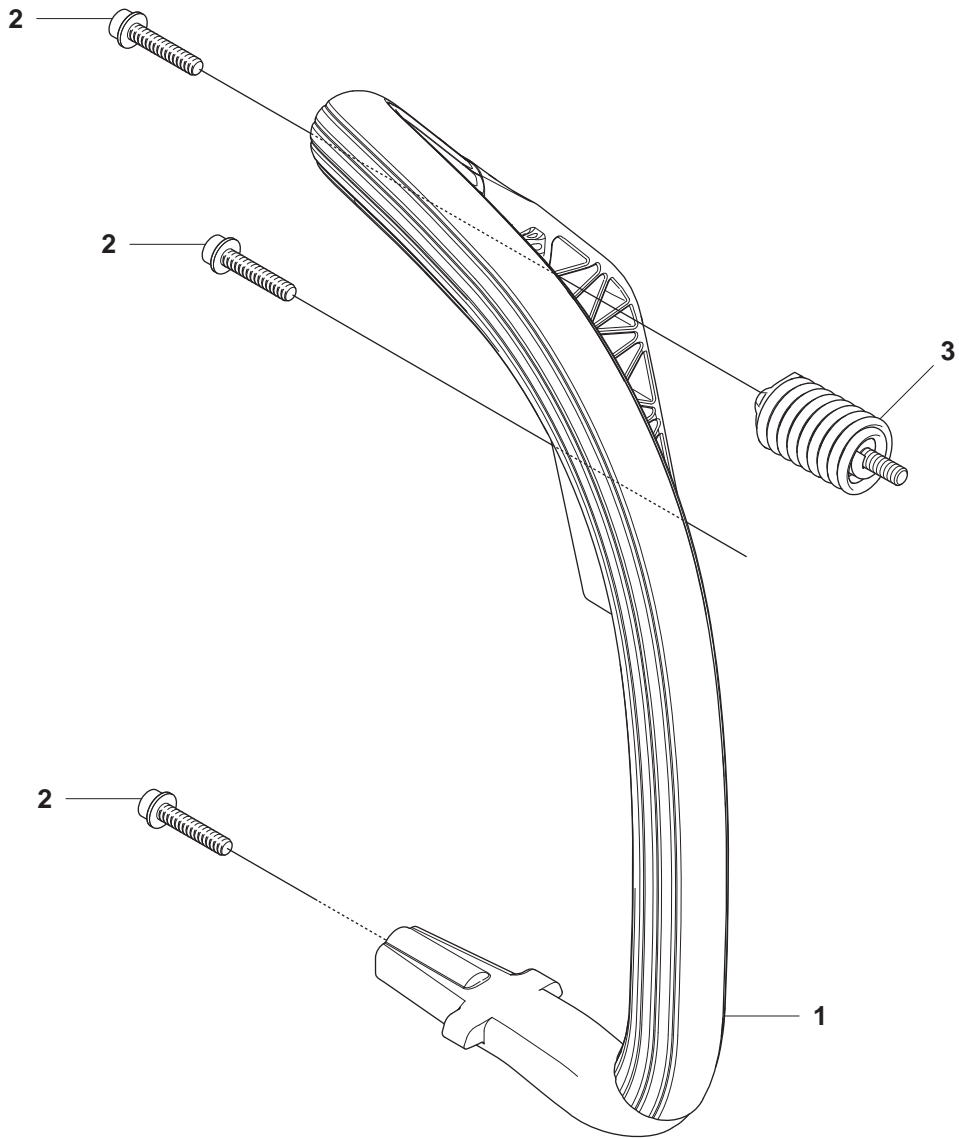
CS2240, CS2240S



Position	Article	Quantity	Description	Kit
1	544 93 25-02	1	Crankcase assy	
2	503 87 58-02	1	Stiffening plate	
3	503 87 54-02	1	Bar bolt	
4	537 33 46-01	1	Bar bolt	
5	544 03 64-01	1	Bar bolt	
6	503 24 09-05	1	Needle roller	
7	530 02 61-19	1	Check valve	
8	537 40 35-01	1	Filter	
9	544 08 33-01	1	Oil screen	
10	544 33 16-01	3	Guide pin	
11	503 86 93-01	1	Support	
12	544 11 12-02	1	Tank cap assy	
13	537 21 50-01	1	Sealing	12
14	503 57 89-01	1	Holder	12
15	503 88 63-01	1	Chain catcher pin	
16	544 31 62-01	2	Screw	
17	501 00 76-01	1	Lateral support	
18	503 21 51-03	1	Screw	
19	544 28 46-01	1	Chain guide plate	
20	503 21 70-10	1	Screw	
21	544 28 65-01	1	Spike inner	
22	503 21 75-20	2	Screw	
23	506 49 25-01	1	Hand guard	
24	503 89 24-01	1	Catch	
25	503 89 30-02	2	Screw	
26	503 43 65-01	1	Lock spring	



Position	Article	Quantity	Description	Kit
1	544 19 38-02	1	Fuel tank assy	
2	503 21 28-10	1	Screw	
3	720 18 25-20	1	Pin	
4	544 96 85-02	1	Throttle control	
5	544 09 99-01	1	Spring	
6	544 28 41-02	1	Throttle lockout	
7	544 28 49-02	1	Handle insert	
8	544 12 86-01	1	Fuel hose	
9	503 44 32-01	1	Filter mix	
10	544 12 97-01	1	Return hose	
11	544 11 12-02	1	Tank cap assy	
12	537 21 50-01	1	Sealing	11
13	503 57 89-01	1	Holder	11
14	544 37 50-01	1	Decal warning	
15	501 00 76-01	1	Lateral support	
16	504 79 56-01	2	Antivibration element	
17	721 12 63-39	1	Grooved pin	
18	537 35 95-01	1	Fuel tank vent	

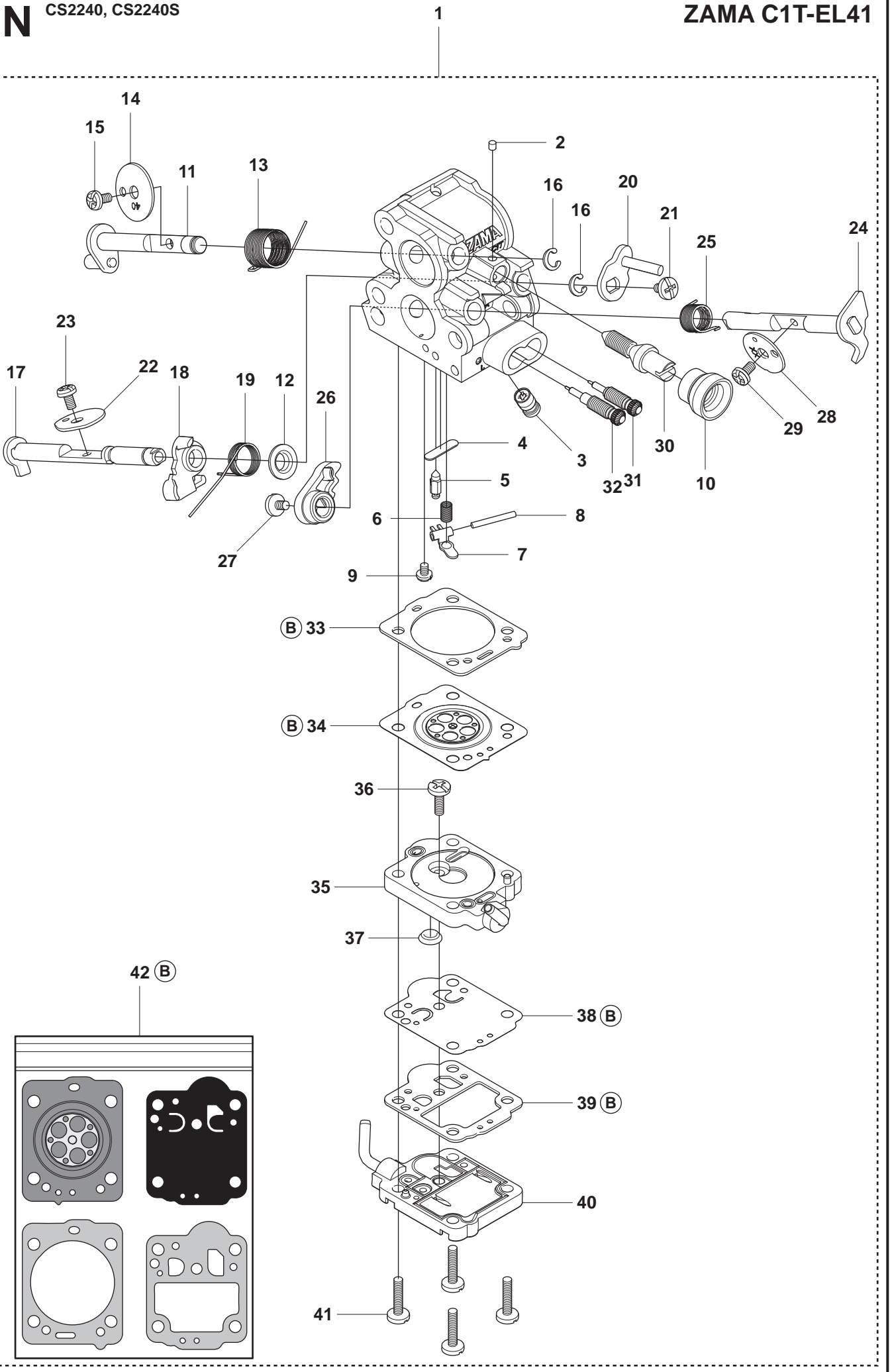


**Page M CS2240
CS2240S**

Position	Article	Quantity	Description	Kit
1	506 49 26-01	1	Front handle	
2	503 21 88-76	3	Screw	
3	503 89 83-01	1	Antivibration element	

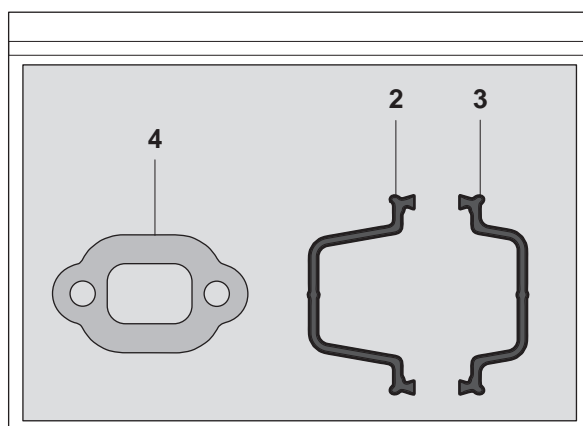
N

CS2240, CS2240S

ZAMA C1T-EL41

Position	Article	Quantity	Description	Kit
1	506 45 05-01	1	Zama C1T-EL41	
2	503 48 11-01	1	Piece	1
3	504 02 40-01	1	Nozzle assy	1
4	503 53 56-01	1	Plug welch	1
5	503 47 97-01	1	Valve	1
6	537 02 03-01	1	Spring	1
7	503 66 59-01	1	Lever	1
8	503 48 00-01	1	Pin retaning screw	1
9	504 02 41-01	1	Screw	1
10	505 53 52-01	1	Cap	1
11	504 02 61-01	1	Shaft assy	1
12	505 11 07-01	1	Collar	1
13	504 02 85-01	1	Spring	1
14	504 02 75-01	1	Valve	1
15	503 48 18-01	2	Screw	1
16	504 02 67-01	2	Circlip	1
17	504 02 62-01	1	Shaft assy	1
18	540 05 37-01	1	Lever	1
19	504 02 83-01	1	Spring	1
20	504 02 63-01	1	Lever	1
21	503 47 90-01	2	Screw	1
22	504 02 74-01	1	Valve	1
23	503 48 18-01	2	Screw	1
24	504 02 60-01	1	Shaft assy	1
25	504 02 84-01	1	Spring	1
26	544 98 31-01	1	Lever	1
27	503 47 90-01	2	Screw	1
28	504 02 76-01	1	Valve	1
29	503 47 92-01	1	Screw	1
30	504 02 73-01	1	Screw	1
31	504 90 92-01	1	Screw	1
32	504 02 81-01	1	Screw	1
33	504 02 43-01	1	Gasket	1
34	504 02 45-01	1	Diaphragm	1
35	504 02 46-01	1	Body	1
36	504 02 82-01	1	Screw	1
37	504 02 50-01	1	Strainer	1
38	504 02 56-01	1	Diaphragm	1
39	504 02 57-01	1	Gasket	1
40	504 02 59-01	1	Cover	1
41	504 02 78-01	4	Screw	1
42	504 02 86-01	1	Gasket kit	1

P Levereras endast som reservdel
Delivery as spare part only
Nur als Ersatzteil lieferbar
Livrabable seulement comme pièce de rechange
Solo como repuesto
Zasilà se jenom jako náhradni díl

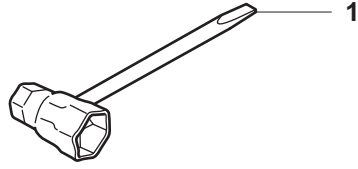


Packningssats
Set of gaskets
Dichtungssatz
Jeu de joints
Juego de juntas

Page P **CS2240**
 CS2240S

Position	Article	Quantity	Description	Kit
1	5047940-01		A	
2	544 39 59-01	1	Gasket, cylinder	
3	544 39 60-01	1	Gasket, cylinder	
4	544 08 44-01	1	Gasket	

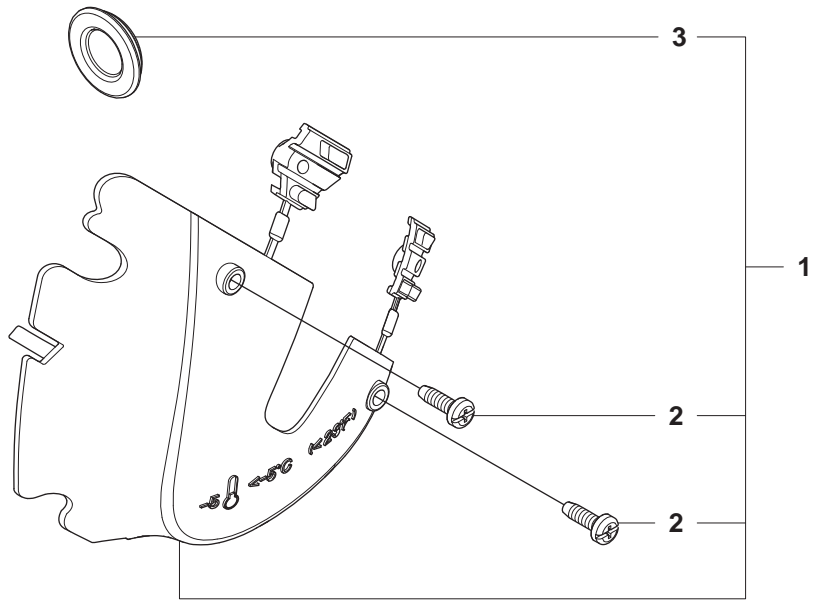
Q Tillbehör
Accessories
Zubehöre
Accessoires
Accesorios



Page Q **CS2240**
 CS2240S

Position	Article	Quantity	Description	Kit
1	503 55 85-04	1	Tool	

R CS2240, CS2240S
WINTER KIT



**Page R CS2240
CS2240S**

Position	Article	Quantity	Description	Kit
1	522 85 72-01	1	Winter kit	
2	503 21 27-13	2	Screw	1
3	503 40 59-01	1	Winter plug	1