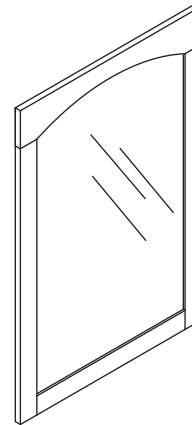


MIRROR K-2503

Features

- Frame of birch solids and paintable substrate with catalyzed polyurethane finish
- Vertical wall-mount installation
- Includes hanger
- Coordinates with the Alberry vanities
- 24" (610 mm) x 33" (838 mm) x 1" (25 mm)



Codes/Standards Applicable

Specified model meets or exceeds the following:

- CARB P2

Colors/Finishes

- F40: Cinder

Specified Model

Model	Description	Colors/Finishes
K-2503	Mirror – vertical wall-mount	<input type="checkbox"/> F40
Recommended Vanities		
K-2412	Alberry vanity, 24" (610 mm) width	<input type="checkbox"/> F40
K-2463	Alberry vanity, 30" (762 mm) width	<input type="checkbox"/> F40
K-2488	Alberry vanity, 36" (914 mm) width	<input type="checkbox"/> F40
K-2494	Alberry vanity, 48" (1219 mm) width	<input type="checkbox"/> F40

Product Specification

The mirror shall be 24" (610 mm) in width, 33" (838 mm) in height, and 1" (25 mm) in depth. Mirror frame shall be made of birch solids and paintable substrate with catalyzed polyurethane finish. Mirror shall be for vertical-mount installation and includes hanger. Mirror shall coordinate with the Alberry vanities. Mirror shall be Kohler Model K-2503-F40.

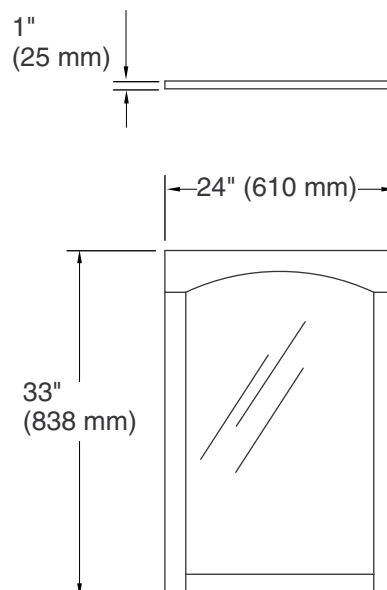
ALBERRY™

Installation Notes

Install this product according to the installation guide.

Select the type of fastener based on the wall material. A minimum 20 lb (9.07 kg) load bearing fastener is recommended.

Install the fastener to a stud to avoid possible property and product damage.



Product Diagram