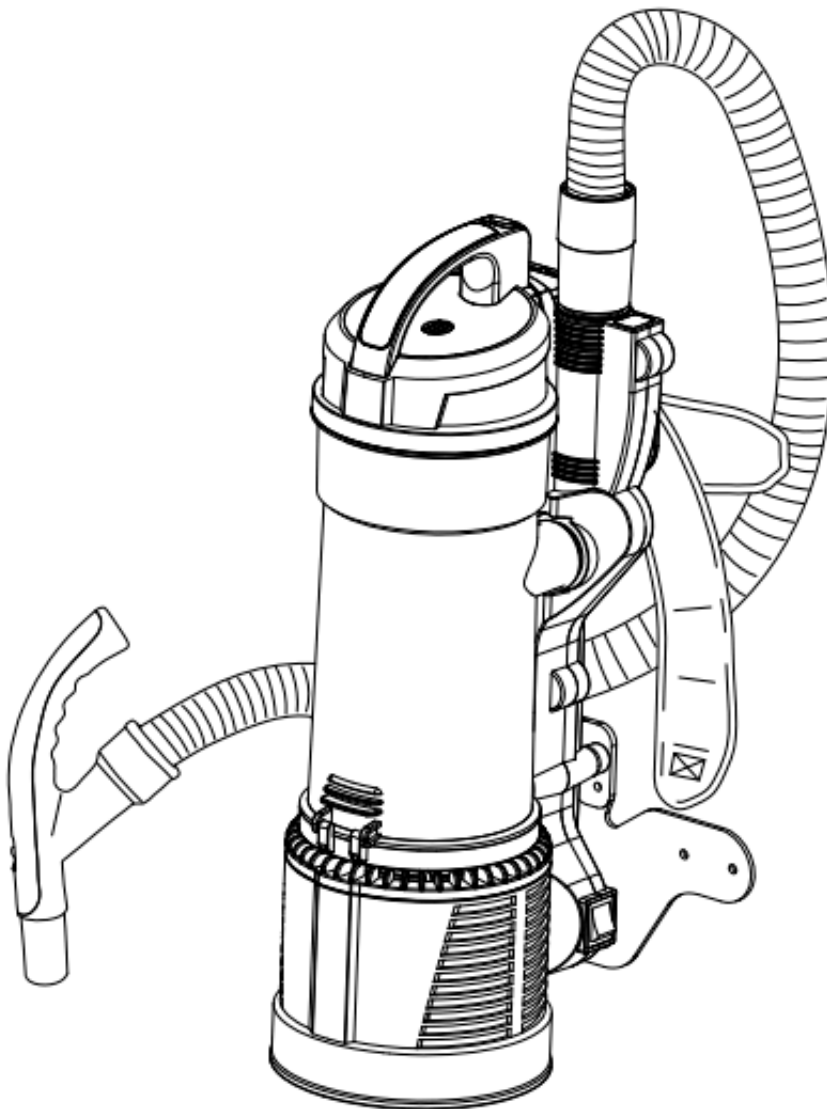


PROLUX 2.0 BAGLESS BACKPACK VACUUM CLEANER MODEL: 2.0-B

Operation Instruction

Read all instructions before using this appliance



For your safety please read owners manual in its entirety before use.

Congratulations on your purchase of your new Prolux 2.0 Bagless Backpack Vacuum! The Prolux 2.0 Bagless is the worlds ONLY bagless backpack vacuum. Large companies use backpack vacuums, because they literally cut your cleaning time in half (compared to a upright vacuum). Weighing only 9 lbs. with the Prolux 2.0 Bagless Technology it is 40% more efficient and powerful than other bagless vacuums with an amazing 70 CFM of power. The Prolux 2.0 comes standard with a 5-year motor warranty, due to its state-of-the-art Motor Bypass Technology, which adds years of trouble free life to your motor. Also, with its simple to use design, and easily attachable cleaning accessories, it is designed to be one of your most used appliances.



Table of contents

Specifications	3
Safety Precautions	4-5
Assembly	
Getting To Know Your Vacuum	6
Using The Accessories & Tools	7-8
Operation	
Operating Instructions/Adjusting The Harness	7-9
Battery Care & Operation	9-11
Maintenance	
Emptying The Dust/Dirt Container	12
Changing/Cleaning The Intake HEPA Filter	12
Changing/Cleaning The HEPA Exhaust Filter	13
Cleaning The Housing	13
Troubleshooting	13-14
Warranty	14-15

Specifications

- Lightweight – Only weighs 8 lbs. (8 lbs. w/o battery & 11 lbs. with battery).
- Powerful deep cleaning motor with an amazing 70 Cubic Feet per Minute of Airflow (most battery powered vacuums have 60)
- Dependable - Motor Bypass valve adds years of life to the Motor allowing it to come with a 5 year motor warranty, 3 Year body Warranty, and 90 day Warranty on the Battery & Charger. (90 days on the motor and body if used commercially)
- Cleans 2x faster than your standard Upright Vacuums.
- 3-Stage filtration. H13 HEPA grade HEPA filter, to keep the air clean with 99.95% efficiency.
- Powerful 25.2V, long lasting Lithium-Ion battery that lasts up to 30 minutes per charge.
- 1.5L dust bin capacity.
- No power cord.
- Deluxe 32mm tool attachment set.

IMPORTANT SAFETY INSTRUCTIONS

When using an electrical appliance, basic precaution should always be followed, including the following:

READ ALL INSTRUCTIONS IN THIS OPERATING MANUAL BEFORE USING THIS APPLIANCE.

Keep the operating manual for reference. Include the operating manual if you pass the appliance to third parties. **Violations of the operating instructions can lead to severe injuries as well as damages to the appliance.** Prolux takes no responsibility for damages due to violations of these operating instructions.

The Notices Given

Notices for your safety are especially marked. Always observe these notices to avoid any damages to the appliance.

WARNING: Warning concerning health hazards describing possible risks of injury.

ATTENTION: Warning concerning possible dangers to the appliance or other objects.

NOTE: Highlights tips for you.

WARNING-To reduce the risk of fire, electric shock, or injury:

1. Do not leave the vacuum cleaner when plugged in or while battery is installed. Unplug from outlet or remove battery when not in use, and before servicing.
2. Use only as described in this manual. Use only the recommended attachments, battery, charger, and replacement parts.
3. To reduce the risk of electric shock, do not use outdoors, on wet surfaces, and do not use for wet pickup/cleanup.
4. Use only as described in this manual. Use only the manufactures recommend attachments.
5. Do not use with damaged cord or plug. If vacuum cleaner is not working as it should, has been dropped, damaged, left outdoors, or dropped into water, take it to a service center before use.
6. Do not pull or carry the vacuum by its power cord, do not use the power cord as a handle, do not close the door on power cord, or pull the power cord around sharp edges or corners. Do not run vacuum cleaner over the power cord. Keep the power cord away from heated surfaces.
7. Do not unplug the power cord from your wall by pulling on the cord. To unplug, grasp the end of the plug, not the cord.
8. Do not handle the power cord/plug, battery, or vacuum cleaner with wet hands.
9. Do not put any object into the openings of the vacuum. Do not use the vacuum with any openings blocked. Keep openings free of dust, lint, hair and anything that may reduce airflow.
- 10.Keep hair, loose clothing, fingers and all parts of body away from openings and moving parts of the vacuum.
- 11.Turn all controls off before unplugging the vacuum.
- 12.Use extra care when cleaning on stairs.
- 13.Do not use to pick up flammable or combustible liquids, such as gasoline, or use in areas where they may be present.
14. Do not allow end of plug to whip when winding up the power cord.
- 15.Unplug the vacuum or vacuum battery before connecting the hose.
- 16.Do not pick up anything that is burning or smoking, such as cigarettes, matches, or hot ashes.
- 17.Do not use without dust bag and/or filter in place.
- 18.If the supply cord is damaged, the manufacturer or an authorized service center must replace it, in order to avoid a hazard.

19. This appliance is not intended for use by persons (including children) with reduced physical, sensory or Mental capabilities, or lack of experience and knowledge, unless they have been given supervision or instructions concerning the use of the appliance by a person responsible for their safety.

Children should be supervised to ensure they do not play with the appliance.

Do not vacuum or clean:

- Hair and other parts of the body. They could be sucked in and cause injury.
- Pieces of Clothing (e, g, shoe laces, scarves, etc.). They could be sucked in and cause injury.
- Water and other liquids, especially moisture from carpet cleaning agents. Moisture inside the appliance can lead to short-circuiting.
- Toner dust (from laser printers, copying-machines, etc.). There is danger of fire or explosion.
- Hot ash, burning cigarettes or matches. This could cause a fire.
- Pointed objects such as glass shards, nails, etc. Such objects destroy the filters.
- Plaster, cement, and fine drilling-dust, makeup, etc. The filters may clog causing damage to the appliance.

Never use the appliance near flammable or explosive materials -- there is danger of fire or explosion.

Never use the appliance outdoors -- there is danger of rain and dirt destroying the appliance.

Never stick objects into the appliance's openings -- it could cause the appliance to overheat.

Cord Connection

The vacuum and battery charger run on electricity, that means there is always danger of electric shock, so please observe the following;

- Never touch the plug with wet hands.
- Always pull directly with the plug. If you want to disconnect the appliance from the outlet. Never pull on the cord, as it might break.
- Take care that the power cord is not bent, pinched, rolled over or gets in contact with heat sources.
- Use only extension cords suited to the power requirements of the appliance.
- Never immerse the appliance in water or other liquids.
- Only operate the appliance if your outlet voltage is the same as that indicated on the appliance's nameplate. Using the wrong voltage can destroy the appliance.
- If the power cord of this appliance is damaged it must be replaced by the manufacturers, their authorized service representative or a similarly qualified person to avoid danger to the user.

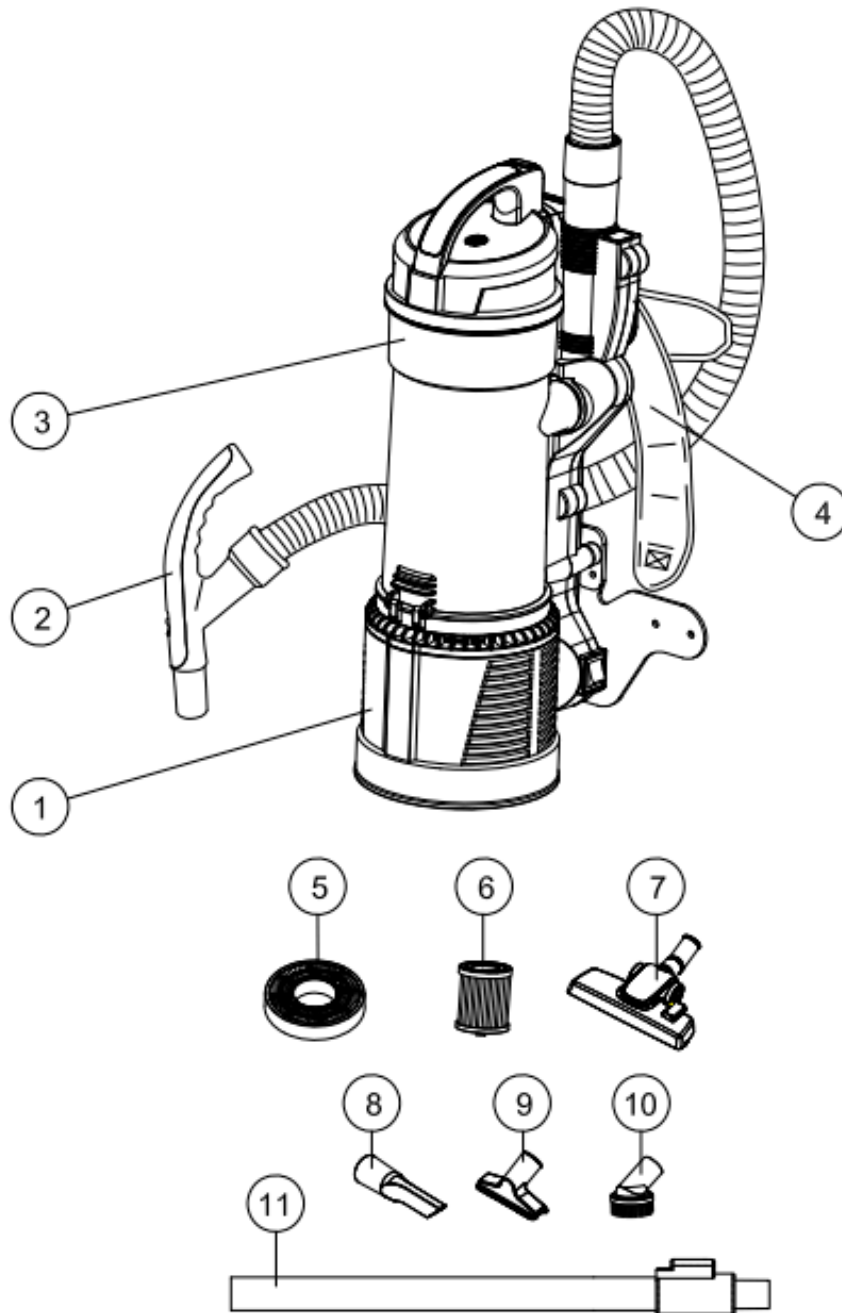
Never use a defective appliance or operate an appliance with a defective power cord. There is a major risk of injury.

Children

Never leave the appliance unattended and use it with special precaution if children or persons who cannot judge dangers are nearby.

People (including children) who are unable to safely operate the appliance on account of their physical, sensory or mental abilities or their lack of experience or knowledge should only use this appliance under supervision or instruction of a responsible person. Packing-materials are not toys. There is danger of suffocation, KEEP OUT OF REACH OF CHILDREN.

GETTING TO KNOW YOUR BACK PACK VACUUM



1. Main motor unit
2. Flexible hose
3. Dust container
4. Shoulder straps
5. Exhaust HEPA filter
6. Air inlet Vortex filter
7. Carpet/Floor Brush
8. Crevice Tool
9. Upholstery/Pet Hair tool
10. Dusting Brush
11. Telescopic Tube/wand

OPERATION INSTRUCTIONS

WARNING

To reduce the risk of electric shock, the power cord must be disconnected or the battery removed before removing the dust container, changing the filters or performing maintenance or troubleshooting checks

Assembling your vacuum

NOTE: Always remove the power plug from the wall outlet before assembling or removing accessories

■ ATTACHING THE FLEXIBLE HOSE TO THE VACUUM

The flexible hose should be connect before strapping the unit

1. To connect the flexible hose to the unit slide the hose connector over the air inlet. (Fig1)
2. To remove the flexible hose, turn off the unit, remove the battery and pull out the hose connector from the air inlet.
3. Pull the handle out from the telescopic tube. (Fig2)

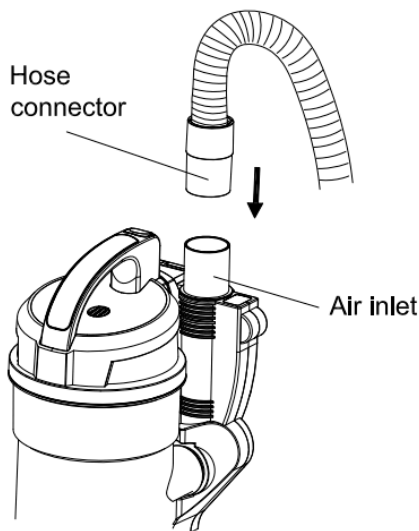


Fig 1

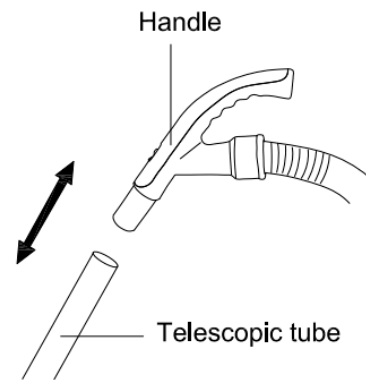


Fig 2

■ USING THE ATTACHMENTS

DUSTING BRUSH

The Dusting Brush is used for all types of furniture. (Fig3)

CREVICE TOOL

Use for cleaning radiators, cracks & crevices along corners, and baseboards and in-between cushions. (Fig4)

PET HAIR REMOVAL BRUSH

The Pet Hair Removal Brush is used for removing pet hair from upholstery.

The unique design makes it an excellent tool for removing unwanted pet hair from virtually any surface. (Fig5)

NOTE: This tool is not a grooming tool and should not be used on animals.

Caution: DO NOT use the Pet Hair Removal Brush on delicate or woven fabrics that may snag.

DO NOT use the Pet Hair Removal Brush on wooden floors as this accessory may cause mild scratching or scarring of the surface. Always test a surface in a area that cannot be seen before use.

CARPET/FLOOR BRUSH

Step on the Floor to Carpet selector to adjust the height of the brushes. There are two different heights, one for floors and one for carpets. (Fig6)

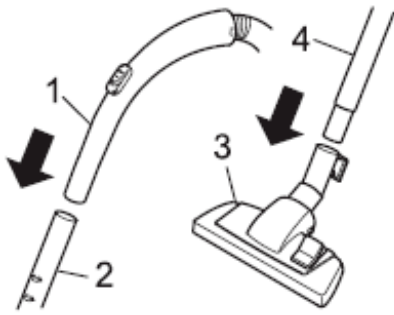
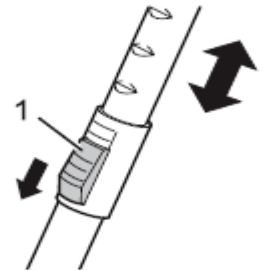


Fig.3

1. Insert the handle (Fig. 3/1) into the upper end of the telescopic tube (Fig 3/2).
2. Attach the floor nozzle (Fig. 3/3) to the bottom end of the telescopic tube (Fig 3/4).

NOTE: Shove all the way together and firmly twist to the right to connect pieces.

3. Adjust the length of the telescopic tube. Press down the release latch on the tube to do this (Fig. 4/1). Then pull the handle of the telescopic tube to extend it to your desired length (Fig. 3/1). Let go of the release catch while pulling until it locks in place. You will hear a distinct click.



Fig



Fig 3



Fig 4

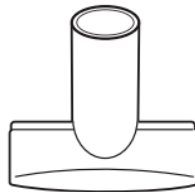


Fig 5

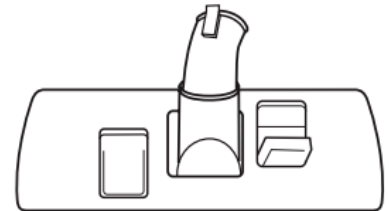


Fig 6

■ MANUAL SUCTION CONTROL

Your vacuum cleaner includes a manual variable suction control on the flexible hose handle. The suction power can be adjusted by moving the suction regulator to the desired position between open and closed. (Fig7) Open gives you less suction, closed provides maximum suction. For example, less suction is required on upholstery and draperies compared to thick carpets, which required maximum suction.

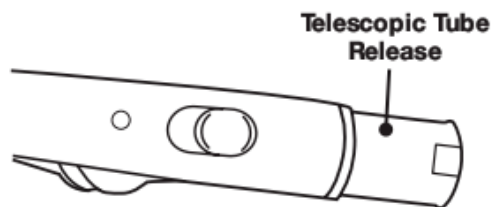


Fig 7

■ USING YOUR VACUUM

1. Insert the power plug into the wall outlet
2. Connect hose and telescopic tube if desired.
3. Correctly place shoulder straps on each shoulder and secure the waistband strap. (Fig 8 through Fig 8b)

Caution: If the waistband and both shoulder straps are not properly and securely in place, the unit could fall off

your back, causing damage or injury.

4. Turn the unit on/off by pressing the switch located near the base of unit. (Fig 9)

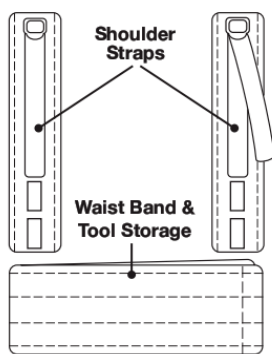


Fig 8



Fig 8A

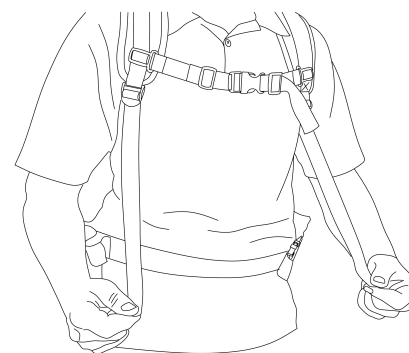


Fig 8B

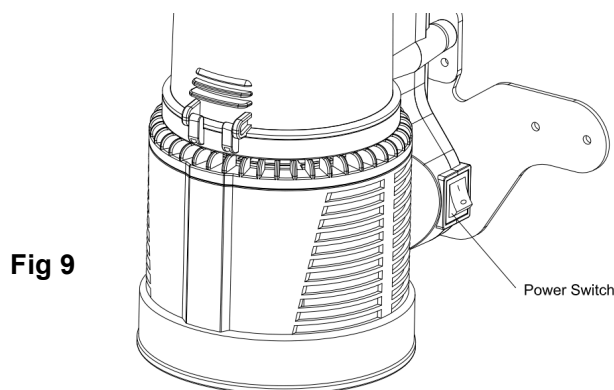


Fig 9

HOW TO CHARGE THE BATTERY PACK

When using the charger, basic precautions should always be followed, including the following:

Battery and Charging Safety

⚠️ WARNING

To reduce the risk of electric shock, fire, battery explosion, or injury:

1. Basic information and warning for the Battery and Charger are contained below. For detailed usage and warning information, read the HOW TO CHARGE THE BATTERY PACK carefully before using this unit.
2. DO NOT expose battery pack to temperatures above 122°F (50°C). Never leave battery packs in automobiles on hot days, where temperatures can be much higher than the outside temperature.
3. DO NOT use or store vacuum or batteries in wet or moist conditions, or with flammable or combustible materials.
4. DO NOT charge batteries or store battery for extended periods, 1 month or more, in temperatures above 90°F (32°C) or below 40°F (5°C).
5. When charging, make sure that the charger has at least 6 inches of clearance on all sides. Adequate airflow is required to cool the charger when use.
6. DO NOT use a damaged cord or plug for charging.
7. DO NOT pull on charger's cord to unplug. Grasp and pull the plug, not the cord.
8. DO NOT handle the charger's cord plug with wet hands when inserting into electrical outlet.
9. Keep sparks and flames away from batteries. Do not smoke near batteries or charger.

10. DO NOT charge the unit outdoors.
11. DO NOT attempt to repair, service, or modify the battery system or charger. Contact the service with any issues.
12. DO NOT short-circuit the battery or charger terminals with conductive items such as paper clips. This can deliver high current, resulting in heat and fire.
13. DO NOT crush, drop, incinerate or damage the battery pack. DO NOT use a battery pack that has been damaged in any way. DO NOT incinerate the battery even if it is severely damaged or non-working. The battery can explode in a fire.

SPECIFICATIONS AND PARTS

Charger Specification:

Charger input: 120V 50/60Hz AC only

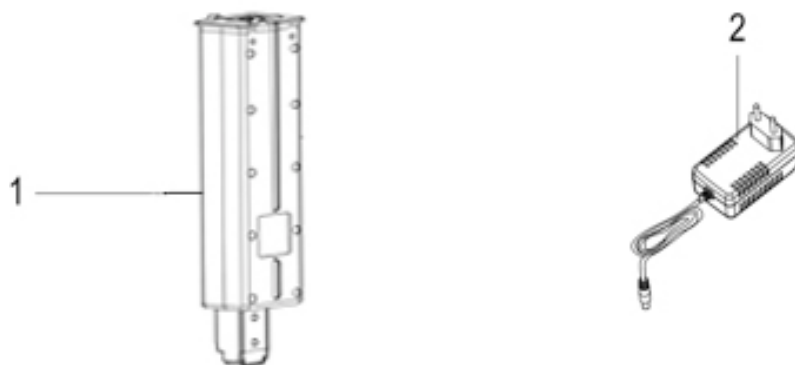
Charger output: 30V 1A

Battery Specification:

Lithium Polymer chemistry 25.2V

Approximate charge time: 8 hours

Approximate run time for new battery: 30 minutes.



(1.Battery pack) (2.Charger)

OPERATION



Charge in a well ventilated area. DO NOT block charger vents. Keep them clear to allow proper ventilation.

CHARGING LITHIUM POLYMER BATTERY PACKS

Lithium Polymer batteries deliver fade-free power for their entire run time. The GV vacuum will not gradually lose power due to decreasing battery charge. The vacuum will perform at its normal performance level until the battery has been depleted. Once this happens, recharging of the battery is required. It is not necessary to drain the battery pack completely before recharging.

If the charger's light is not lit at any point during the charging process, remove the battery pack from the charger to avoid damaging the product. DO NOT insert another battery.

Contact the service with any issues.

BATTERY PROTECTION FEATURE

The 25.2-volt Lithium Polymer batteries are designed with features that protect the Lithium Polymer cells and maximize battery life. When the battery has reached its minimum voltage level the electronics will shut off the battery. Once the battery shuts off, it must be recharged.

PREPARING BATTERY PACK FOR CHARGING

1. Turn off the power switch. Confirm the switch is on the off position.
2. Unlock the battery pack from the vacuum by pulling up on the metal battery hook located on the top of the battery, and take the battery pack out from the vacuum. (Fig 17)
3. Plug the round connector on the charger's cord into the battery pack. (Fig 18)
4. Plug the charger's power cord into 120V wall outlet (Fig 19)
5. The Battery pack may require approximately 8 hours to full charge.

Note: Battery pack may get warm while charging.



Before you assemble the battery pack back into the vacuum, please check the on/off switch is on the off position.

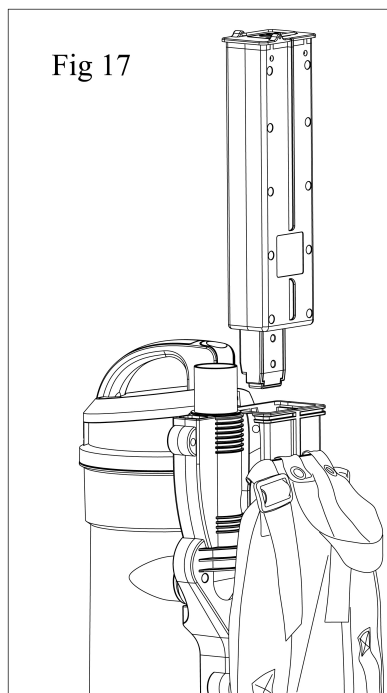


Fig 17

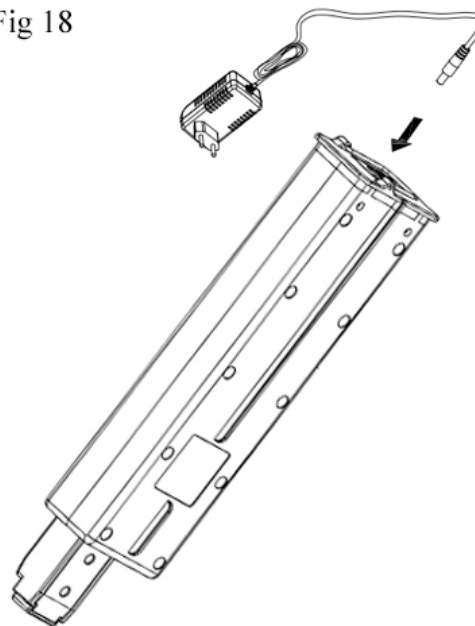


Fig 18

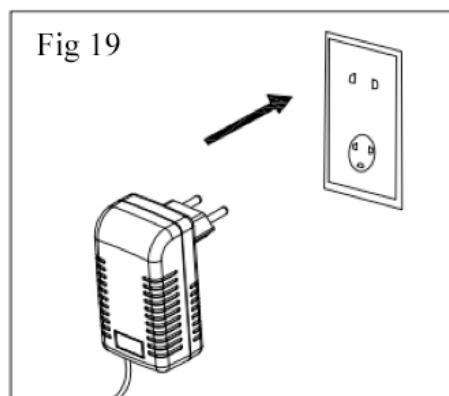


Fig 19

■ HOW TO EMPTY THE DUST CONTAINER

You will want to empty the dirt in the dust container as soon as it has reached the “MAX” mark indicated on the outside of the tank, or if the suction power has dropped. To empty the Dust Container, please follow the instructions below.

1. Switch the vacuum cleaner to the “Off” position and disconnect the plug from the wall outlet.
2. Release the dust container by pressing down the release button. (Fig 10)
3. Pull the dust container away from the vacuum cleaner.
4. Hold the dust container low over your trash receptacle, to avoid dust falling onto your floors.
5. Then press the release button. When the release button is pressed, the bottom cover will open and the dust will drop into your trash receptacle. (Fig 11)

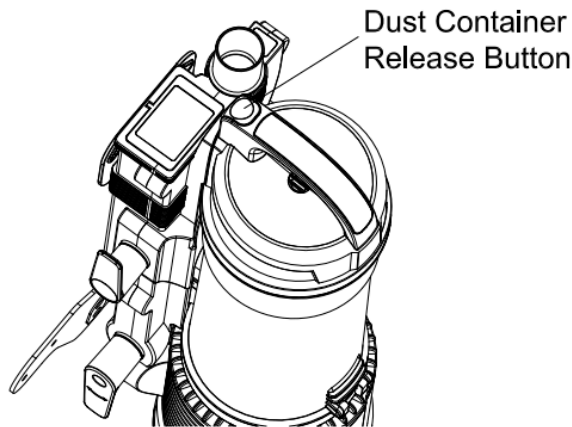


Fig 10

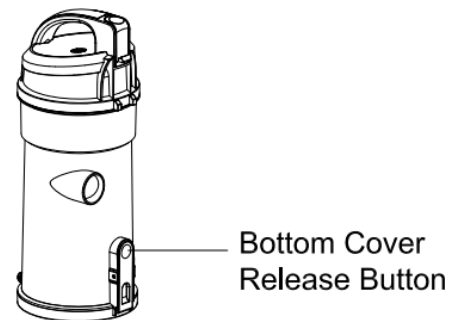


Fig 11

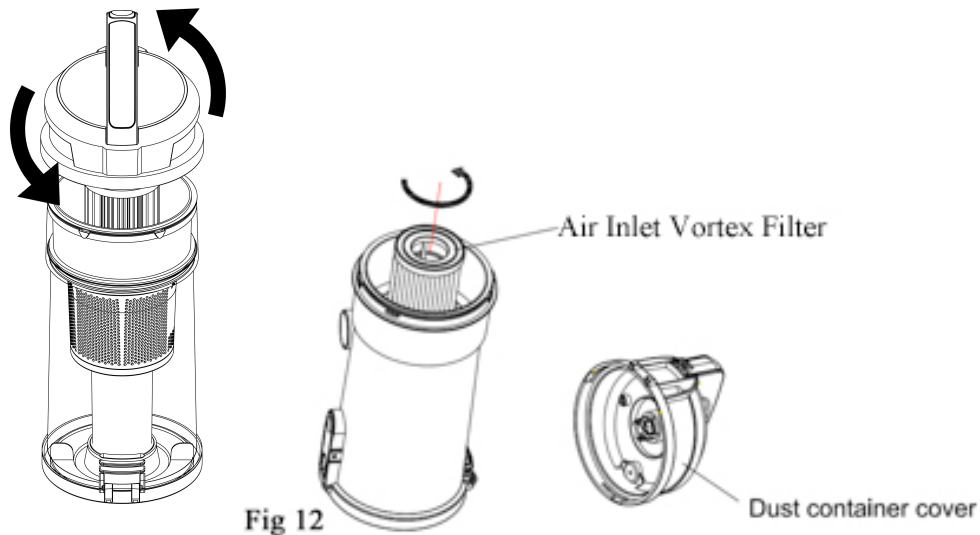
■ HOW TO CLEAN AND REPLACE THE VORTEX & HEPA FILTER(S)

There are two filters in this unit, the intake Vortex filter & the exhaust HEPA filter. When the filters are dirty and the suction power is reduced, you must clean or replace the filter(s).

Clean and replace the Vortex Intake filter

1. Open the top Vortex chamber cover by rotating the cover counterclockwise. (Fig 12)
2. Pull the Vortex filter from the chamber by rotating it counterclockwise to unlock it, and then pull it up and out of the unit. (Fig 12)
3. Clean the filter using warm water, then allow the filter to air dry completely. Once the filter has completely air dried, then assemble the filter back into the Vortex chamber. Or, if the filter is too dirty or in an unusable condition, replace the filter with a new one.

NOTE: The Prolux Vortex filter only needs to be cleaned when the entire surface of the filter becomes dirty. Due to its highly efficient design the Vortex filter is 3x more efficient than standard filters and will have the same amount of airflow whether it's dirty or clean. The entire surface of the filter will have to be covered in debris before the performance of the vacuum is affected, and the filter needs to be cleaned.



Clean and replace the exhaust HEPA filter

1. Open the exhaust cover by rotating in count clockwise. (Fig 13)
2. Put the exhaust HEPA out of the unit. (Fig 13)
3. Clean the filter, using warm water and allow air-drying completely, and then assembling the filter back into the unit. Or, if the filter is too dirty or in an unusable condition, replace the filter with a new one.

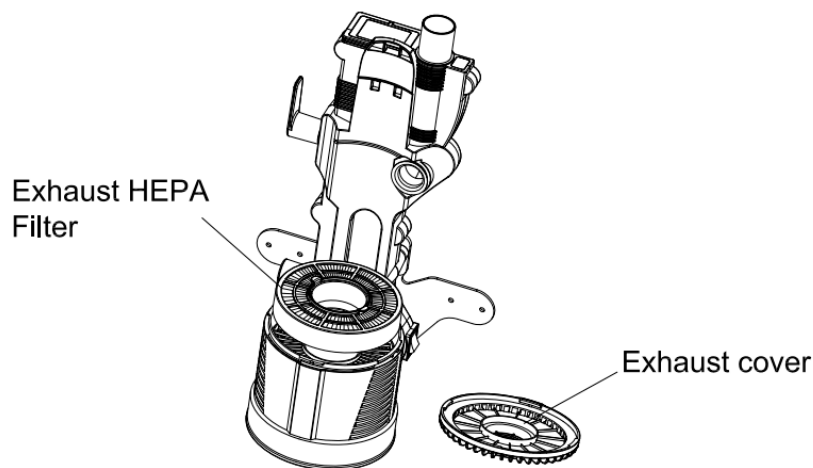


Fig 13

Cleaning the Housing

WARNING: Always switch off the appliance and disconnect it from the outlet before cleaning it. See section "Switching Off and Retracting Power Cord."

ATTENTION: Do not use Alcohol, cleaning or scouring agents to clean your machine, as these may damage the appliance. Clean the outside of the housing using only a slightly damp washcloth.

Troubleshooting

WARNING: Never use a defective appliance. Always switch off the appliance and disconnect it from the outlet or remove the battery before you start to troubleshoot.

Fault	Possible Cause(s)	Solution
The vacuum will not turn on.	The battery is not charged.	Make sure the battery is fully charged by plugging the battery into the charger, then plug the charger into your wall outlet and keep the battery plugged into the charger until the charger light turns Green.
	The battery is not fully inserted into the vacuum.	Make sure to insert the battery into the vacuum, making sure the raised center channel of the battery aligns with the notch inside the battery compartment of the vacuum. Place battery all the way down into the vacuum and press firmly until top of battery is flush with top of the battery compartment.
	Switch is in the “off” position.	Turn the on/off switch to the “on” position. Refer to page 9-10 in this manual.
Suction power is low.	The Dust/Dirt bin is full or clogged.	Empty/clean the Dust/Dirt bin.
	Nozzle, telescopic tube or suction hose are clogged.	Remove the debris that is causing the clog. If necessary, use a long wooden stick (e.g. a broomstick) or coat hanger to do this.
	The Dirt/Dust container is installed incorrectly.	Remove the Dirt/Dust container and reinstall; making sure the container is locked into place when reinstalling.
	The “carpet/hard floor” switch (Fig 1/10) is in the wrong position for the particular type of floor.	Set the “carpet/hard floor” switch to the correct position for the particular type of floor. See page 7.
	The tool attachment being used, does not work properly on the surface you are vacuuming.	Attach the appropriate tool for the surface you are vacuuming. See pages 8.
	Dirty filter(s).	Change/clean the filter(s). See pages 12-13.
The vacuum makes unusual noises, or is louder than usual.	The power nozzle, attachment wand, suction hose, or filters are clogged.	Remove the object(s). If necessary, use a long wooden stick (e.g. a broomstick) or coat hanger to do this.

FIVE (5) YEAR LIMITED WARRANTY

(90 days on the motor and body if used commercially)

Prolux warrants this product's motor free from defects in material and workmanship for a period of five (5) years on the motor, and three (3) years on the body of the vacuum, free from manufacturer defects in material and workmanship from the original date of purchase, when utilized for normal household use. (90 days on the motor and body if used commercially)

- 90 days on battery & charger. Battery and Charger Warranty Exclusions:

Leaving the vacuum in too cold or too hot of an area, charging your battery over 24 hours, dropping your battery or vacuum, getting the battery, charger, or vacuum wet.

Subject to the following conditions, exclusions, and exceptions:

What is Not Covered by the Prolux Warranty - Warranty Exclusions. This limited warranty does not extend to and expressly excludes:

- 1. Normal wear and tear and/or replacement attachments or accessories, including, without limitation, extension cords, hoses, filters, switches, carbon motor brushes and other attachments to the Backpacks.**
- 2. Damage or burnout of the Backpack or Canister motor resulting from failure to clear a blockage occurring during the normal course of use.**
- 3. Loss or damage to the Backpack or Canister resulting from conditions beyond the control of Prolux including without limitation, misuse, accidents, abuse, neglect, negligence from the customer, overuse beyond capacity of the vacuum, or unauthorized modification and/or alteration.**
- 4. Loss or damage to the Backpack or Canister resulting from failure to follow the required maintenance schedule, or failure to use the Backpack or canister in accordance with written instructions from Prolux, guidelines or the terms of its Owner's Manual.**

If your appliance fails to operate properly while in use under normal household conditions within the warranty period, please contact your authorized PROLUX dealer you purchased the unit from. Non-durable parts including, without limitation, filters, accessories, brushes, belts, and electrical parts, which normally require replacement, are specifically excluded from warranty. This warranty is limited solely to the cost of the repair or replacement of the unit at Prolux's option. This warranty does not cover normal wear of parts and does not apply to any unit that has been tampered (by unauthorized user) with or used for commercial purposes. This limited warranty does not cover damage caused by shipping damage, misuse, abuse, negligent handling, or damage due to faulty packaging or mishandling in transit.

This warranty is extended to the original purchaser of the unit only and is not transferable. ***IMPORTANT: Before sending unit back for warranty work, contact your authorized PROLUX retailer you bought the unit from first. Unauthorized warranty claims may be sent back.**

Authorized Warranty claims: PROLUX shall be responsible for all parts and labor and the customer shall be responsible for all shipping charges to and from the PROLUX service center.

Prolux is constantly striving to improve our products. Therefore, the specifications contained herein are subject to change without notice.

Product Warranty Registration

Please follow the link below to register your Prolux product.

http://www.proluxcleaners.com/webforms/index/index/id/2/?__store=default

To find more information on this product, including warranty info and to contact Prolux Customer Service. Please follow the link below:

<http://www.proluxcleaners.com/vacuum-cleaners/backpack-vacuums/prolux-2-0-bag-less-backpack-vacuum.html>

Environmental tips

Once any electronic product is no longer functional, it should be disposed of in such a way as to cause minimum environmental impact, in accordance with the regulations of your local authority. In most cases you can take such products to your local recycling station.

