







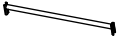
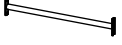
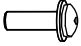
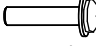

► **Safety and Care Advice**

- Please check and make sure you have all the parts indicated before you start with the assembly.
- Assembly work should be performed on a soft surface to prevent the finish to be scratched during assembly.
- Easy wipe clean with a dry or slightly damp cloth. Do NOT use chemical products.
- Please make sure there's no sharp objects (e.g. garden tools, knives and etc.) careful when sitting on the furniture for your own safety. Such items might tear down fabrics or pierce through resin weave, causing permanent damages.
- We recommend furniture to be covered or put away when not in use, in order to prolong product life.

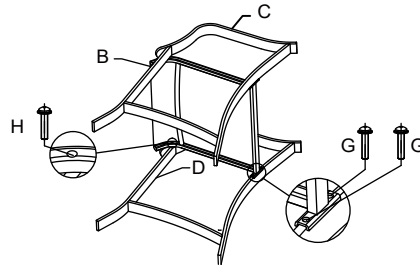
► **Consejos de seguridad y cuidado**

- Antes de comenzar a ensamblar este producto, asegúrese de contar con todas las partes necesarias.
- Es conveniente ensamblar este producto sobre una superficie suave para no raspar el acabado.
- Límpielo con un paño seco o ligeramente húmedo. No utilice productos químicos.
- Debe tenerse cuidado al sentarse sobre el mueble con algún objeto cortante (herramientas de jardinería y cuchillos) en sus bolsillos, ya que pueden desgarrar las telas y penetrar el tejido de resina, lo que lo dañará irreparablemente
- Recomendamos guardar los muebles cuando no estén en uso para prolongar su vida útil

ASSEMBLY INSTRUCTIONS

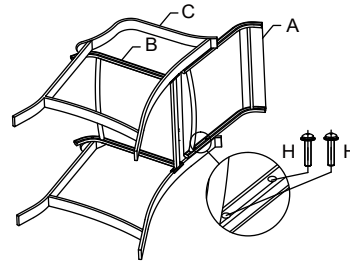
Part #	Reference Image	QTY
A		1
B		1
C		1
D		1
E		1
F		1
G	 M6*20	10
H	 M6*30	6
I		1

STEP 1



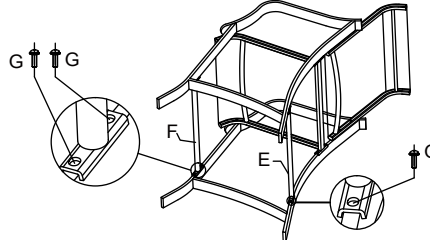
Connect chair seat base (B) with armrests (C and D). M6*20 bolts (G) and M6*30 bolts (H) are used. Please do not tighten bolts to the end at this step.

STEP 2



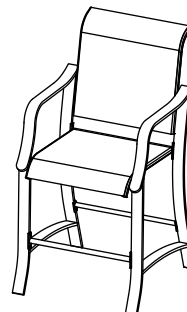
Connect chair back (A) with armrests (C and D). M6*30 bolts (H) are used. Please do not tighten bolts to the end at this step.

STEP 3



Connect chair front and back beams (E and F) with armrests (C and D). M6*20 bolts (G) are used. Make sure all bolts are inserted properly, then tighten all bolts.

STEP 4



Finish and enjoy your chair.

ASSEMBLY TIPS: Please use the hardware and accessories included in the set. DO NOT use other electrical or manual tools.

In order to facilitate the assembly and make your final product firm and stable, please tighten by a few rounds each screw one by one. After all screws are connected, then you start to tighten each screw to the end.

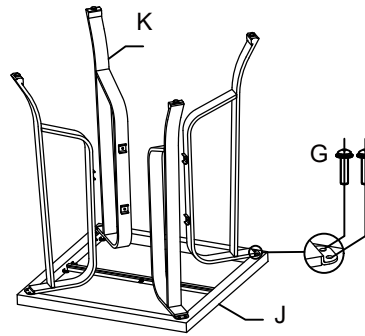
DO NOT tighten any screw to the end before you've connected all screws.

The assembly requires minimal level of DIY skills if you follow the instructions carefully. In case you encounter any difficulty or have any questions, feel free to contact the store or manufacturer.

ASSEMBLY INSTRUCTIONS

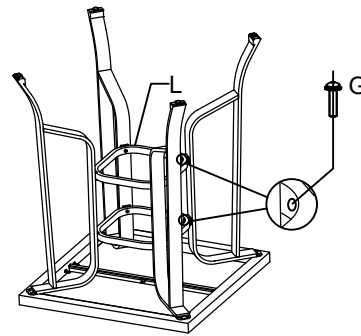
Part #	Reference Image	QTY.
J		1
K		4
L		2
M		2
G		16
I		1

STEP 1



Place table top frame (J) on the ground, then screw table legs (K) to it. Please do not tight any screws to the end at this step.

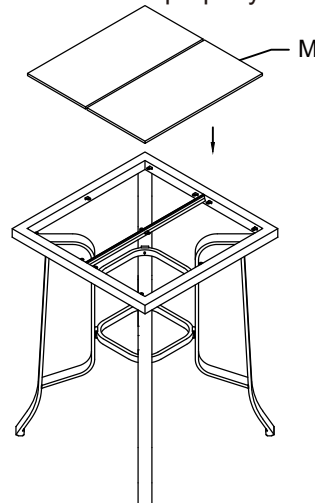
STEP 2



Screw table leg support ring (L) to table legs. M6*20 bolts (G) are used.

Make sure all screws are inserted properly and tighten all screws to the end.

STEP 3



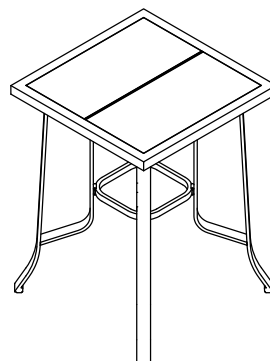
Place table top tiles (M) on the table frame properly.

ASSEMBLY TIPS: Please use the hardware and accessories included in the set. DO NOT use other electrical or manual tools.

In order to facilitate the assembly and make your final product firm and stable, please tighten by a few rounds each screw one by one. After all screws are connected, then you start to tighten each screw to the end.

DO NOT tighten any screw to the end before you've connected all screws.

The assembly requires minimal level of DIY skills if you follow the instructions carefully. In case you encounter any difficulty or have any questions, feel free to contact the store or manufacturer.



Finish and enjoy your table!