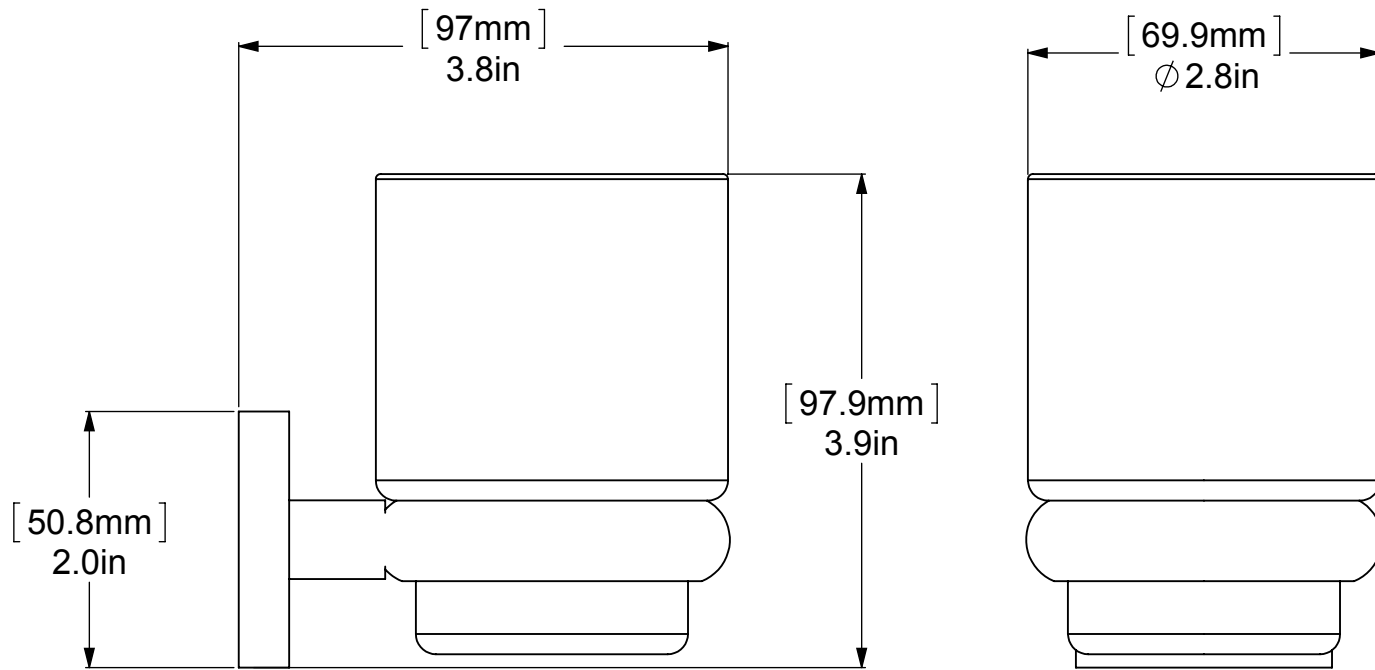
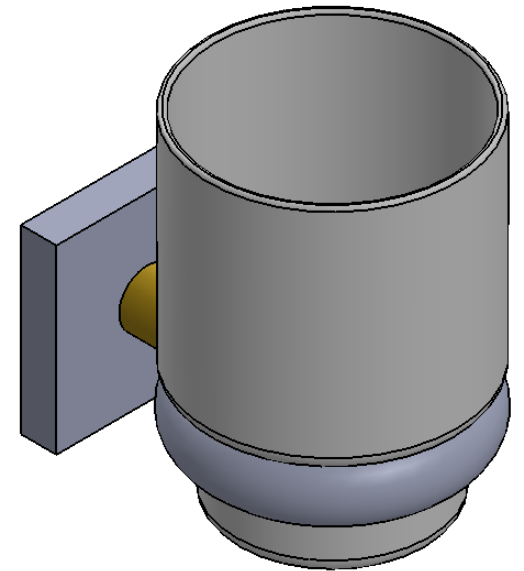


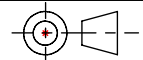
ITEM NO.	P/N	Description	QTY.
1	BPSQ	BACKPLATE	1
2	PSRDS-34	Neck	1
3	HRRD	RING	1
4	GLCU	GLASS_HLD	1




UNLESS OTHERWISE STATED

.X	±.3mm
.XX	±.15mm
.XXX	±.008mm

COPYRIGHT © Allied Brass 2017



THIRD ANGLE PROJECTION

DRAWN	3/30/2017	I.M	MATERIAL:	BRASS	FINISH	TBD
CHECKED	3/30/2017	P.D	DESCRIPTION:		QUANTITY	TBD
APPROVED	3/30/2017	R.A	TUMBLER HOLDER		DRAWING No.	REV
					MT-66	0
				SCALE	1:1.5	SHEET: 01 A4