

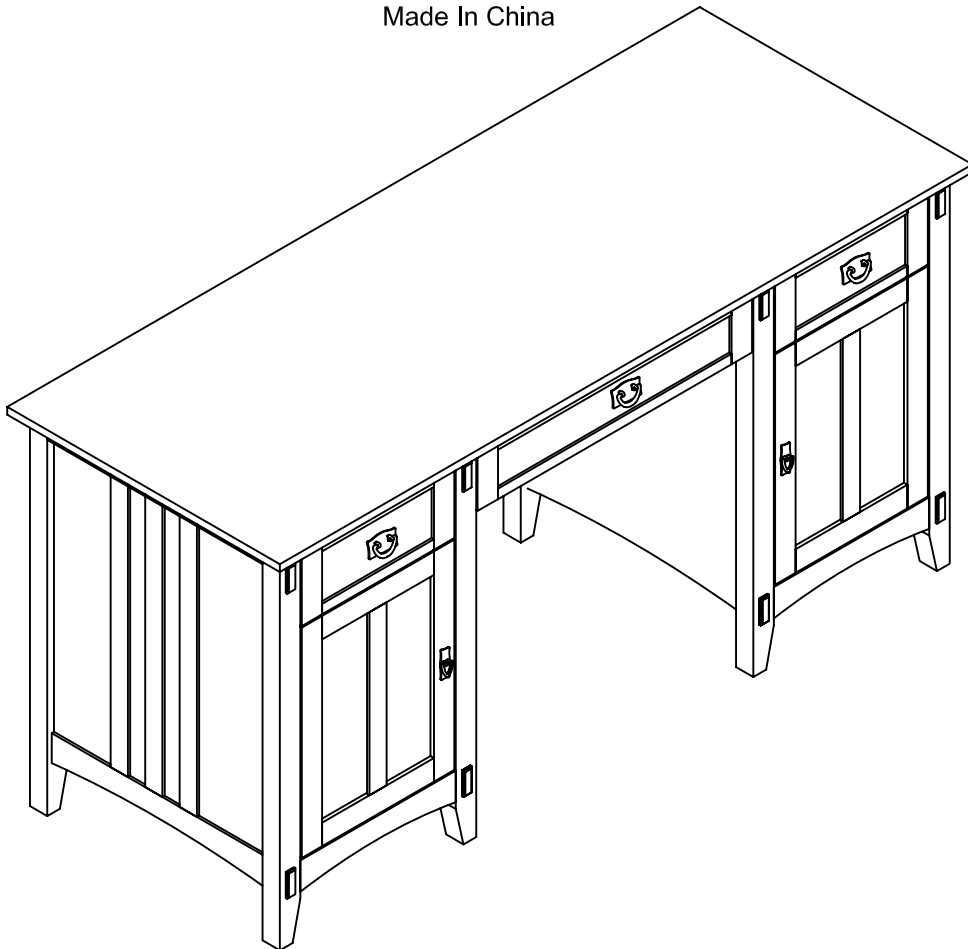
# HOME DECORATORS COLLECTION

SK18502 ARTISAN EXECUTIVE DESK 30"Hx60"Wx23.6"D

INV#92235

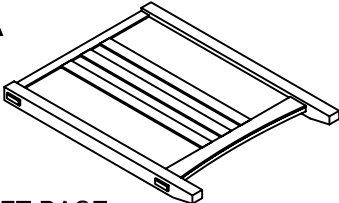
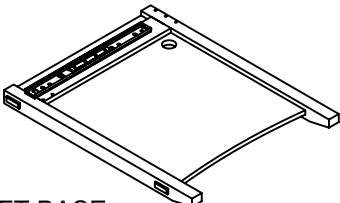
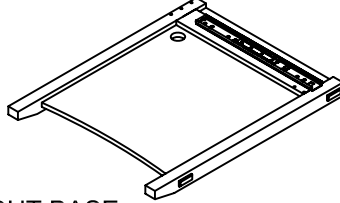
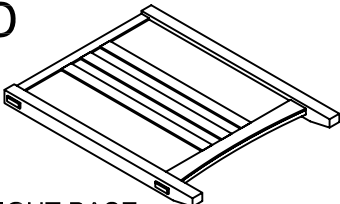
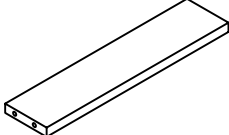
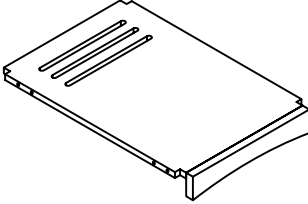
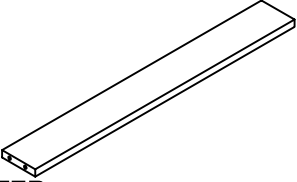
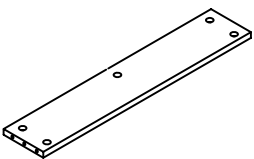
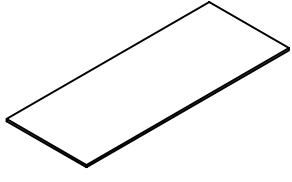
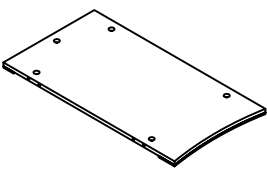
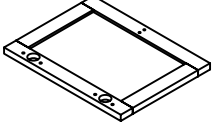
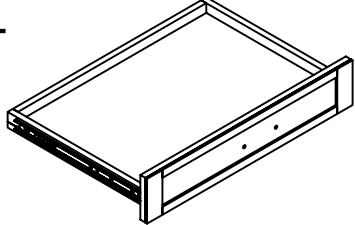
## ASSEMBLY INSTRUCTIONS

Made In China

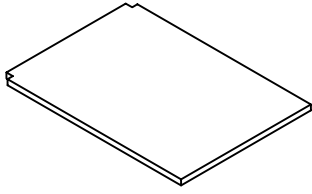


Thank you for purchasing this quality product. Be sure to check all packing material carefully for small parts, which may have come loose inside the carton during shipment. Count all parts and material hardware, then compare with parts list to be sure all parts are present. If any parts are missing or damaged, phone, fax, or mail to our Customer Service Department for efficient and speedy service. Please indicate the model number and code letter of part(s) needed.

**IMPORTANT NOTE:** Follow instructions listed below in proper sequence as numbered to assure fast, easy and correct assembly.

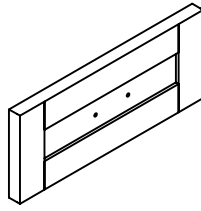
<b>PARTS LIST</b>		
<b>A</b> 	<b>B</b> 	<b>C</b> 
LEFT BASE LEFT SIDE PANEL-1PC	LEFT BASE RIGHT SIDE PANEL-1PC	RIGHT BASE LEFT SIDE PANEL-1PC
<b>D</b> 	<b>E</b> 	<b>F</b> 
RIGHT BASE RIGHT SIDE PANEL-1PC	FRONT CROSS BAR-2PCS	BOTTOM PANEL-2PCS
<b>G</b> 	<b>H</b> 	<b>I</b> 
CENTER FRONT CROSS BAR-1PC	CENTER BACK CROSS BAR-1PC	TOP CROSS BAR-1PC
<b>J</b> 	<b>K</b> 	<b>L</b> 
BACK PANEL-2PCS	DOOR-2PCS	CENTER DRAWER-1PC

M



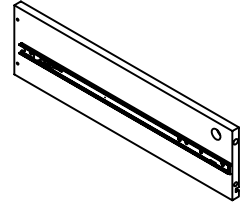
ADJUSTABLE SHELF-2PCS

N



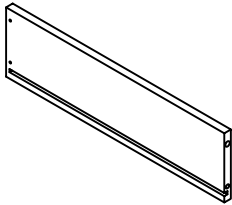
DRAWER FRONT PANEL-2PCS

O



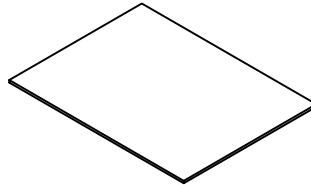
DRAWER LEFT SIDE  
PANEL-2PCS

P



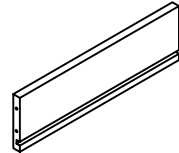
DRAWER RIGHT SIDE  
PANEL-2PCS

Q



DRAWER BOTTOM  
PANEL-2PCS

R



DRAWER BACK  
PANEL-2PCS

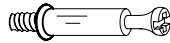
NOTE:THE SURFACE WITH THE STICKER IS THE BACK SIDE

a



WOOD DOWEL-36PCS

b



CAM LOCK BOLT-41PCS

c



CAM LOCK-41PCS

d



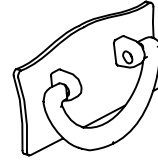
5/8"L FLAT  
HEAD SCREW-16PCS

e



1" FLAT  
HEAD SCREW-8PCS

f



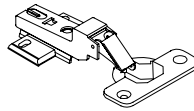
HANDLE-3PCS

g



HANDLE BOLT-10PCS

h



HINGE-4PCS

i



HANDLE-2PCS

j



SHELF PIN-8PCS

k



LONG PLASTIC COVER-13PCS

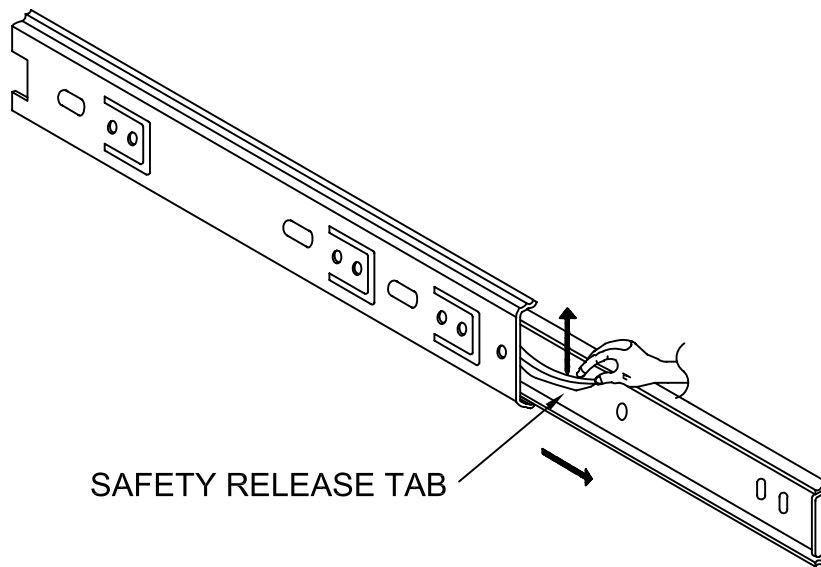
l



SHORT PLASTIC COVER-4PCS

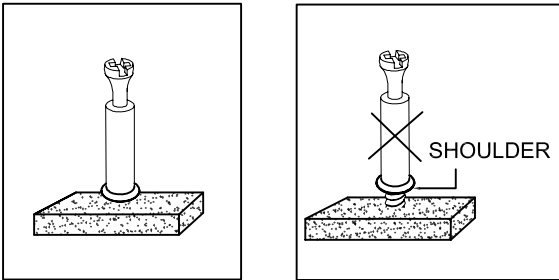
NOTE:THE SURFACE WITH THE STICKER IS THE BACK SIDE

## HOW TO SEPARATE GLIDES



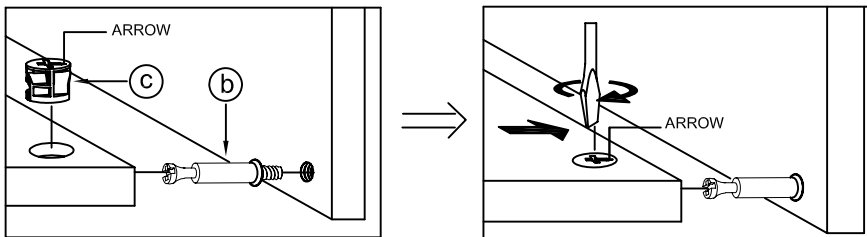
PRIOR TO ASSEMBLY, WE SUGGEST SEPARATING THE INNER GLIDES FROM THE OUTER-GLIDES, SIMPLY PULL THE LEFT/RIGHT INNER GLIDES FROM THE OUTER GLIDES EXPOSING A SMALL BLACK SAFETY RELEASE TAB, BY PUSHING THE SAFETY RELEASE TAB. YOU WILL BE ABLE TO SEPARATE THE GLIDES.

NOTE: • UPON OPENING, THOROUGHLY CLEAN ALL WOOD SURFACES TO REMOVE DUST AND DIRT THAT MAY HAVE SETTLED ONTO THE FINISH DURING SHIPMENT. IN ORDER TO PREVENT DAMAGE DURING ASSEMBLY. PLEASE ASSEMBLE THIS ITEM WITH AT LEAST TWO PEOPLE.



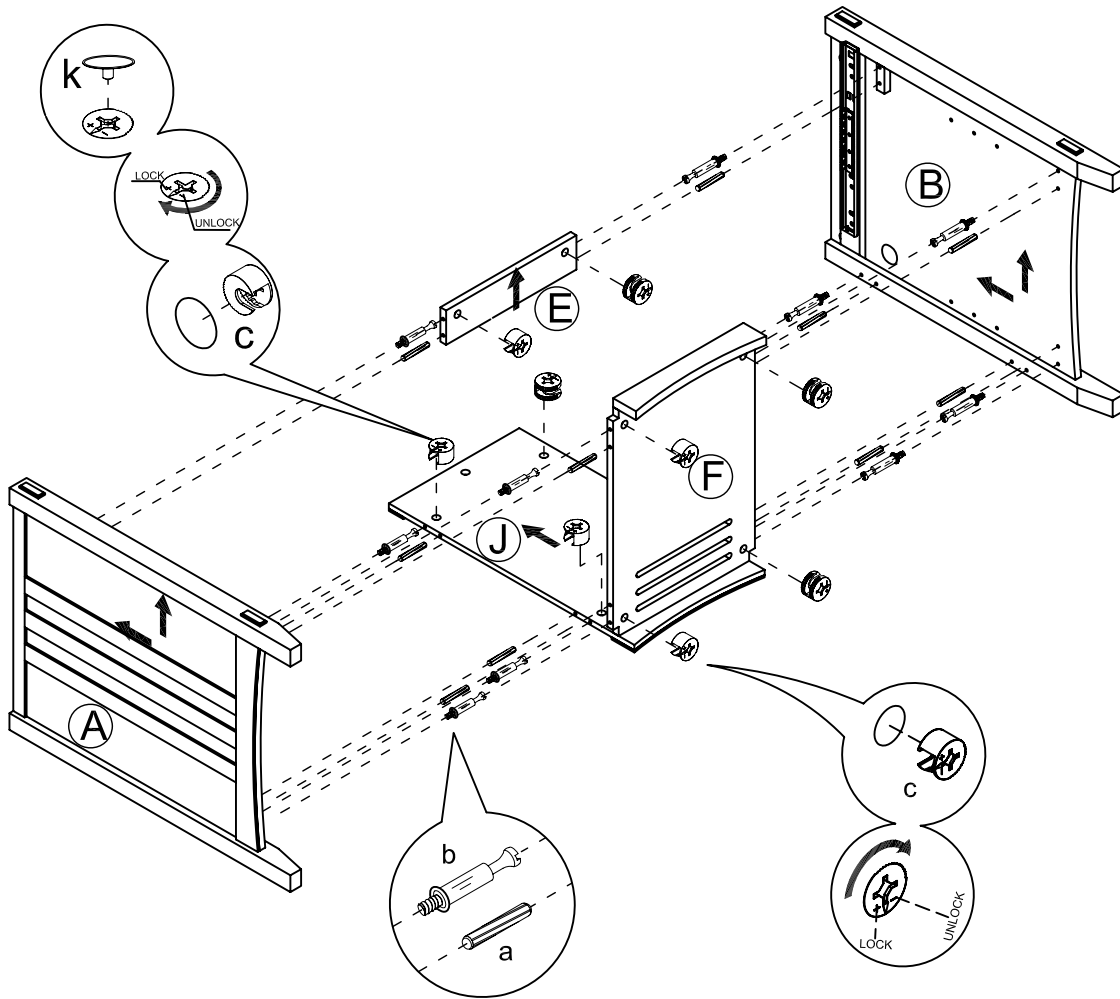
NOTE: TURN THE CAM-BOLT SCREWS UNTIL THEY ARE TIGHT, THE SHOULDER SHOULD BE AGAINST THE SURFACE OF THE PART.

## HOW TO USE THE CAM-TOOL



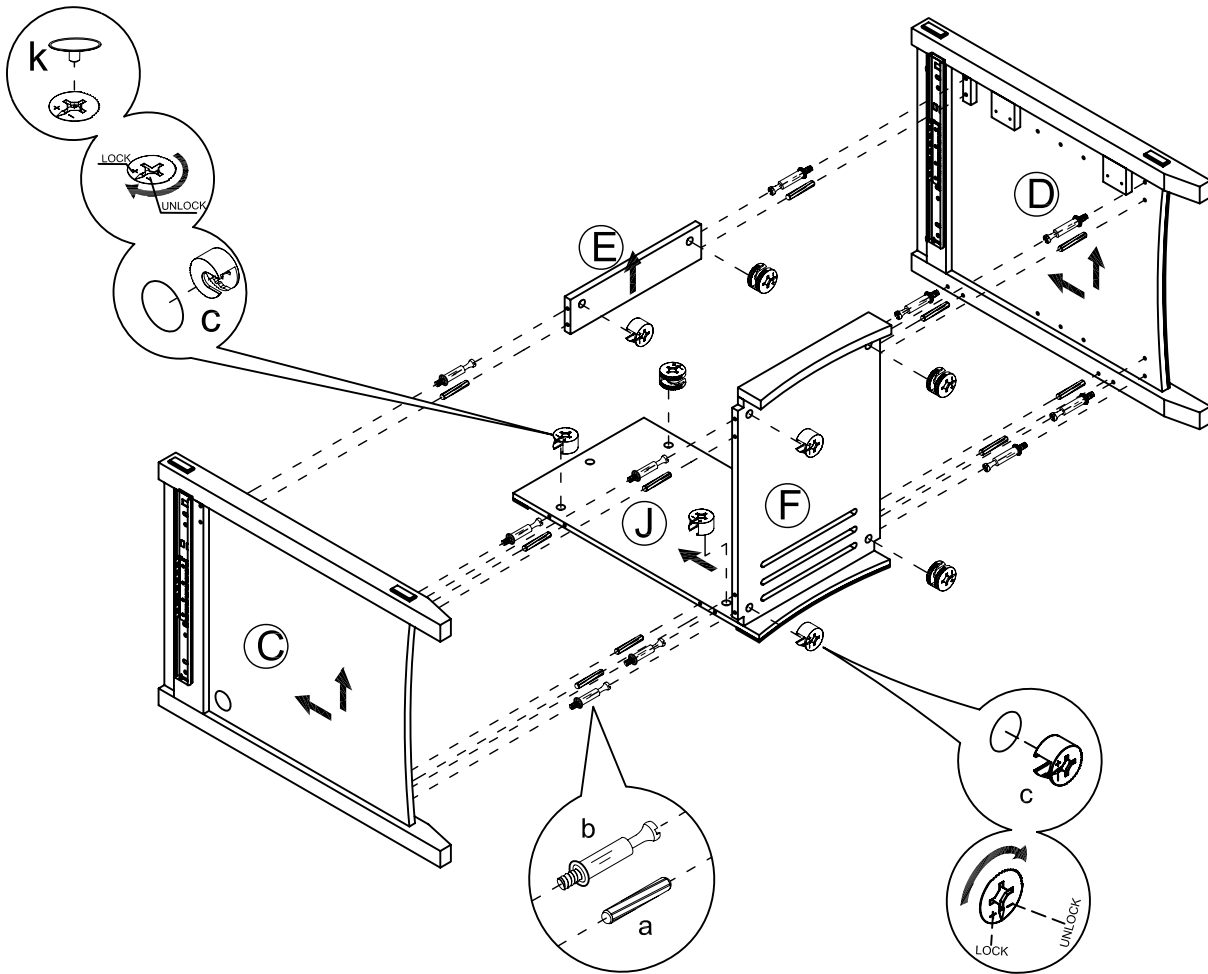
NOTE: • THE ARROWS ON THE HIDDEN CAM-LOCKS SHOULD POINT TO THE CAM-BOLTS.

# FIG 1



- INSTALL THE WOOD DOWEL (a) AND THE CAM LOCK BOLT (b) INTO THE LEFT BASE LEFT SIDE PANEL (A) AND THE LEFT BASE RIGHT SIDE PANEL (B).
- JOIN THE LEFT BASE LEFT SIDE PANEL (A) AND THE LEFT BASE RIGHT SIDE PANEL (B) TO THE BACK PANEL (J), THE FRONT CROSS BAR (E), AND THE BOTTOM PANEL (F) BY USING THE WOOD DOWEL (a) FIRST.
- ONCE JOINED, TIGHTEN CAM LOCK (c) ONTO CAM LOCK BOLT (b) USING PRE-DRILLED HOLES.
- COVER CAM HOLES ON THE BACK PANEL (J) WITH THE LONG PLASTIC COVER (k).

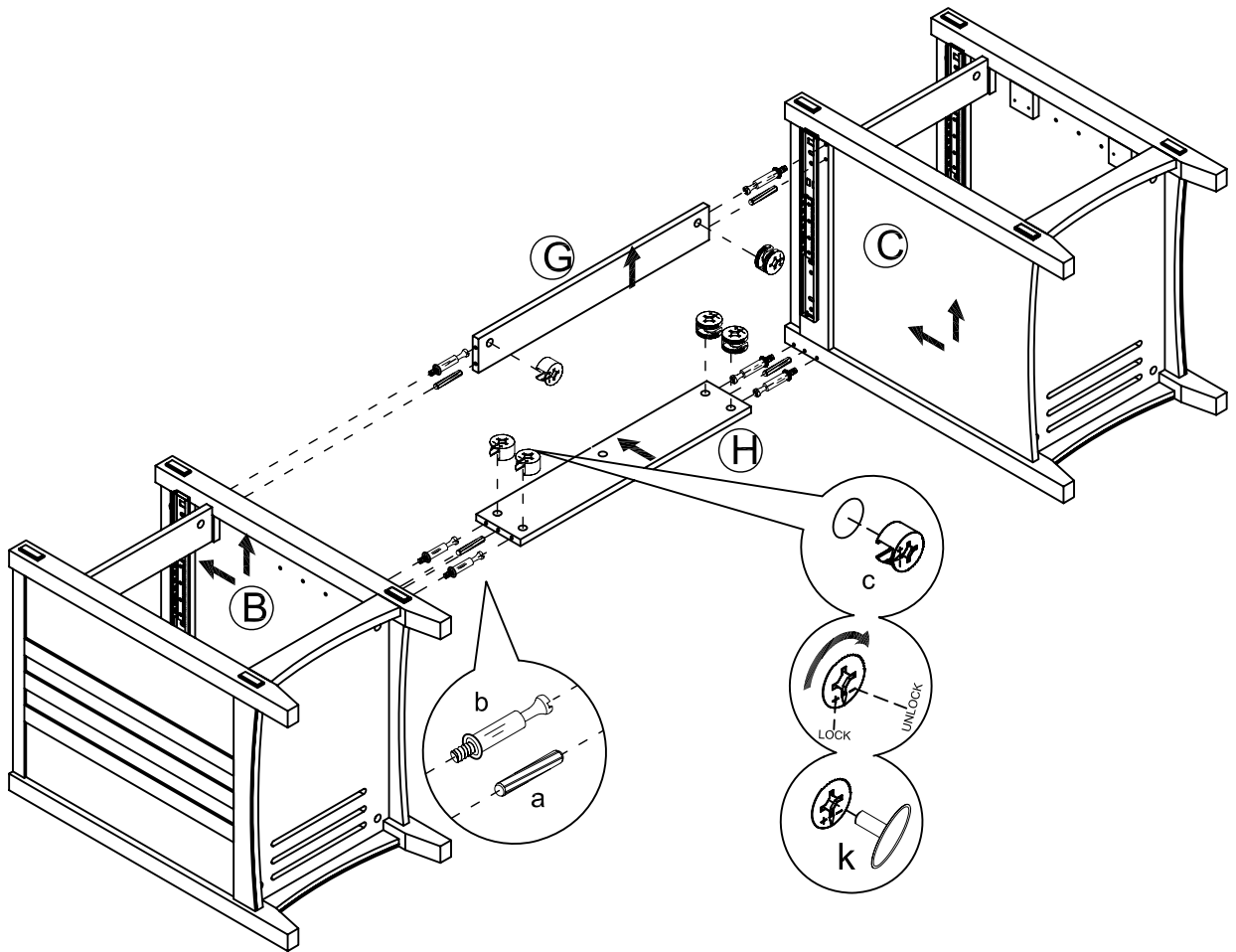
# FIG 2



- INSTALL THE WOOD DOWEL (a) AND THE CAM LOCK BOLT (b) INTO THE RIGHT BASE LEFT SIDE PANEL (C) AND THE RIGHT BASE RIGHT SIDE PANEL (D).
- JOIN THE RIGHT BASE LEFT SIDE PANEL (C) AND THE RIGHT BASE RIGHT SIDE PANEL (D) TO THE BACK PANEL (J), THE FRONT CROSS BAR (E), AND THE BOTTOM PANEL (F) BY USING THE WOOD DOWEL (a) FIRST.
- ONCE JOINED, TIGHTEN CAM LOCK (c) ONTO CAM LOCK BOLT (b) USING PRE-DRILLED HOLES.
- COVER CAM HOLES ON THE BACK PANEL (J) WITH THE LONG PLASTIC COVER (k).

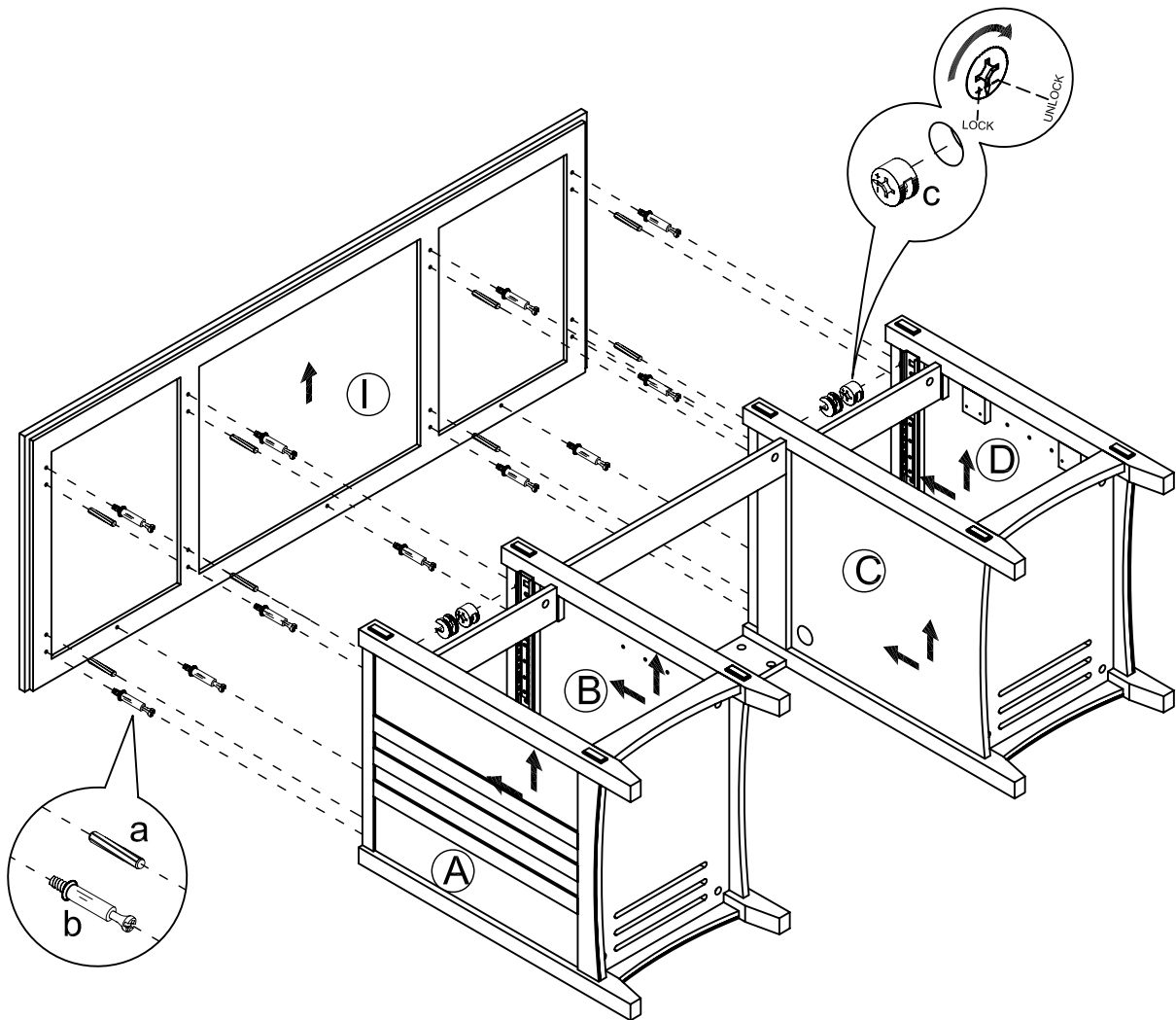


# FIG 3



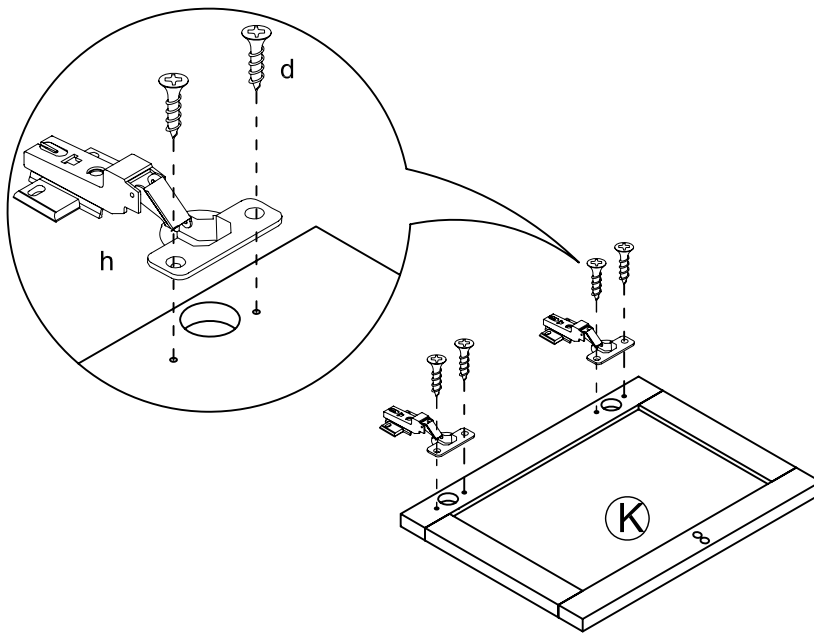
- INSTALL THE WOOD DOWEL (a) AND THE CAM LOCK BOLT (b) INTO THE LEFT BASE RIGHT SIDE PANEL (B) AND THE RIGHT BASE LEFT SIDE PANEL (C).
- JOIN THE TWO ASSEMBLED BASE PARTS TO THE CENTER BACK CROSS BAR (H) AND THE CENTER FRONT CROSS BAR (G) BY USING THE WOOD DOWEL (a) FIRST.
- ONCE JOINED, TIGHTEN CAM LOCK (c) ONTO CAM LOCK BOLT (b) USING PRE-DRILLED HOLES.
- COVER CAM HOLES ON THE CENTER BACK CROSS BAR (H) WITH THE LONG PLASTIC COVER (k).

# FIG 4



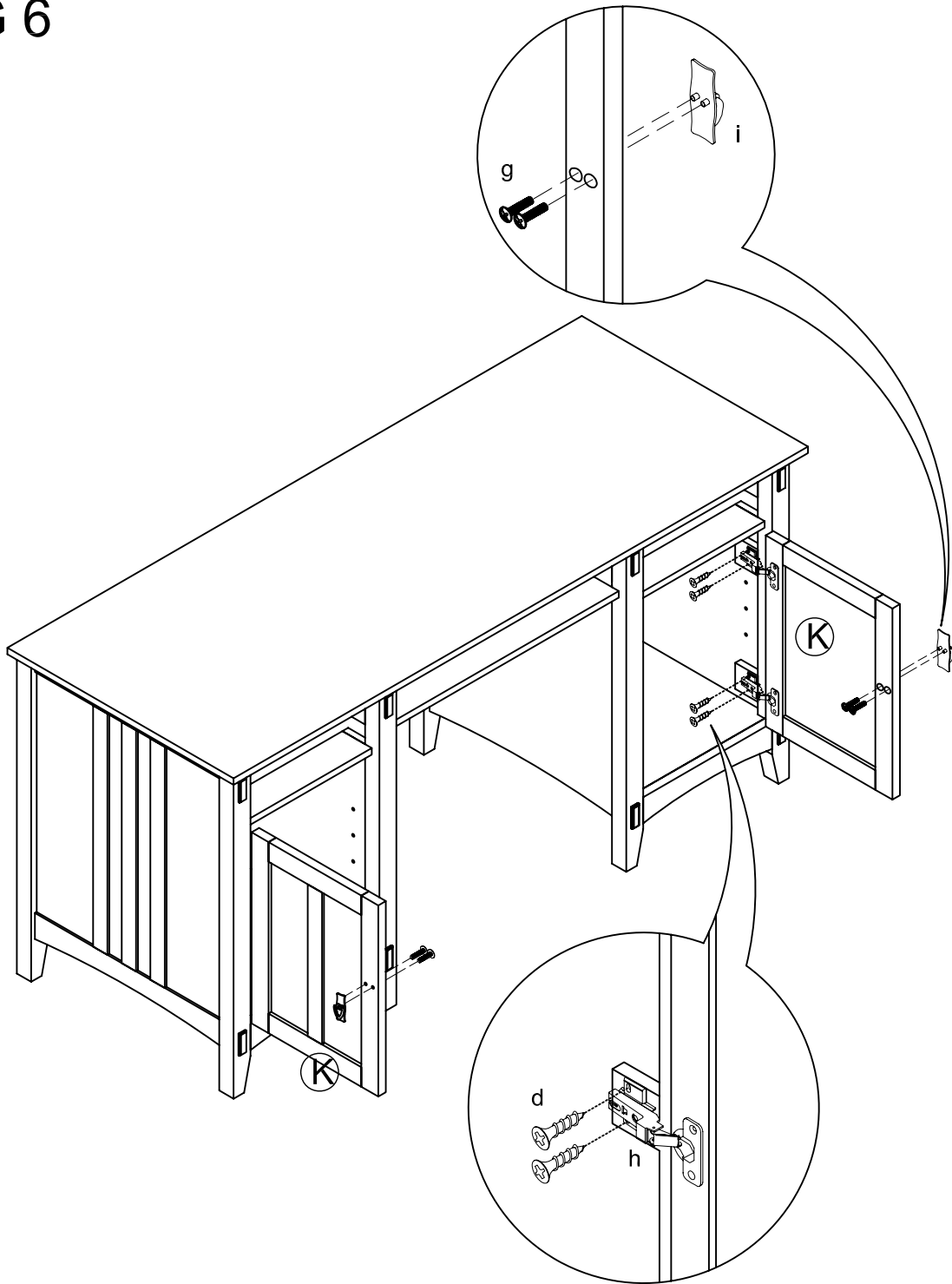
- INSTALL THE WOOD DOWEL (a) AND THE CAM LOCK BOLT (b) INTO THE TOP PANEL (I).
- JOIN THE TOP PANEL (I) TO THE ASSEMBLED PART BY USING THE WOOD DOWEL (a) FIRST.
- ONCE JOINED, TIGHTEN CAM LOCK (c) ONTO CAM LOCK BOLT (b) USING PRE-DRILLED HOLES.
- COVER CAM HOLES ON THE CENTER BACK CROSS BAR (H) WITH THE LONG PLASTIC COVER (k).

# FIG 5



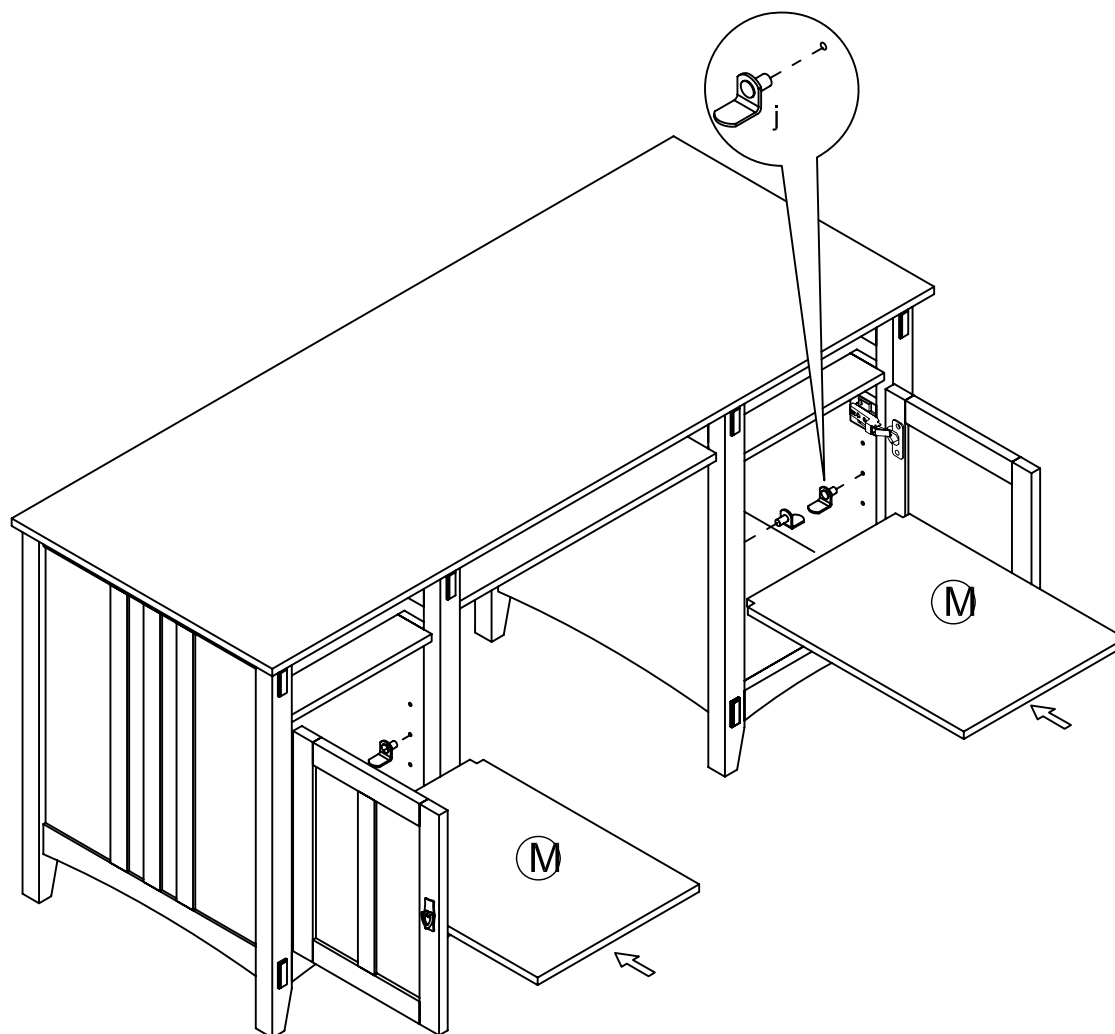
- TIGHTEN THE HINGE (h) ONTO THE DOOR (K) BY USING THE 5/8" L FLAT HEAD SCREW (d).

FIG 6



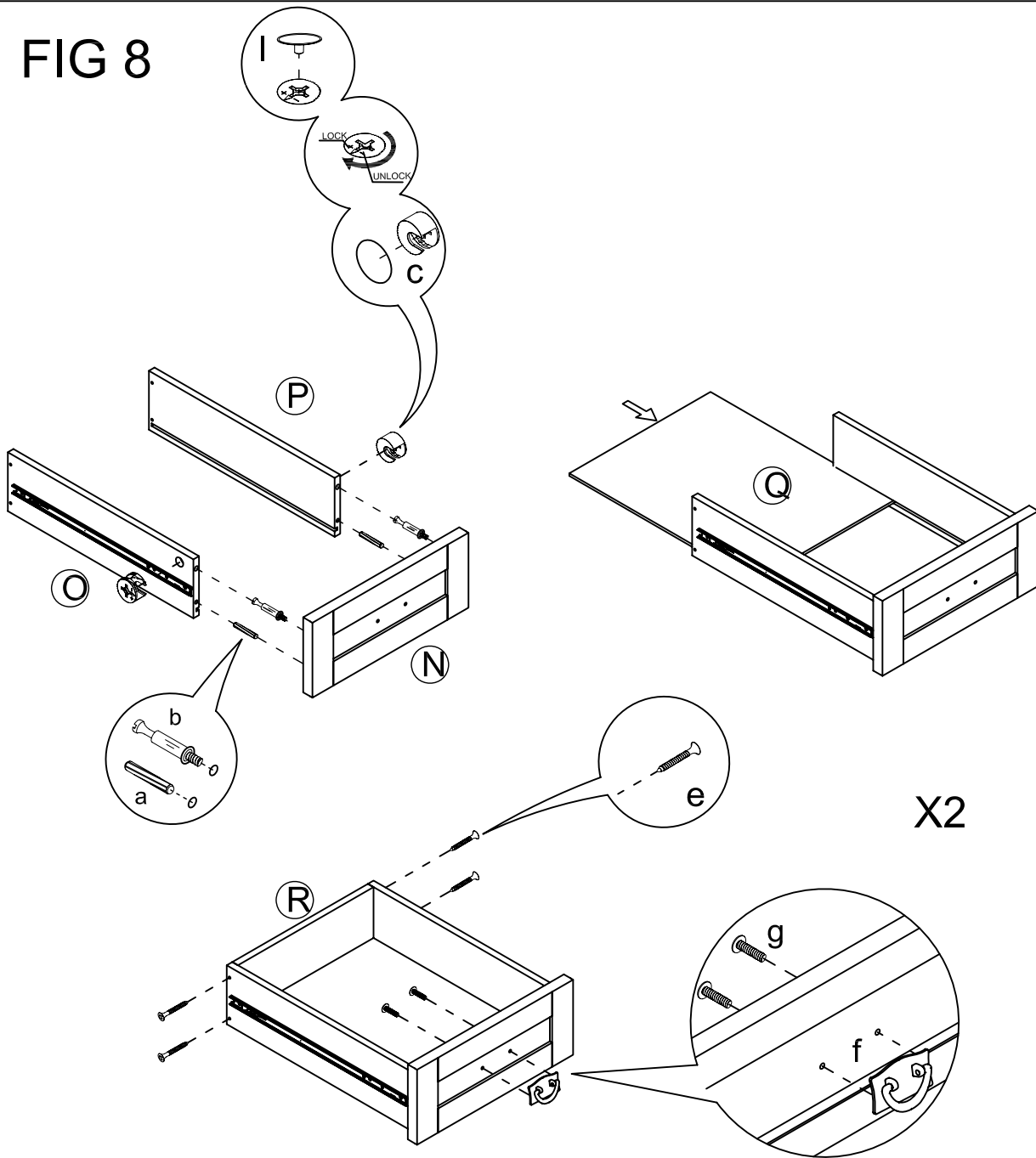
- ATTACH THE DOOR (K) TO THE ASSEMBLED PART BY USING THE 5/8"L FLAT HEAD SCREW (d).
- TIGHTEN THE HANDLE (i) TO THE DOOR (J) BY USING THE HANDLE BOLT (g).

# FIG 7



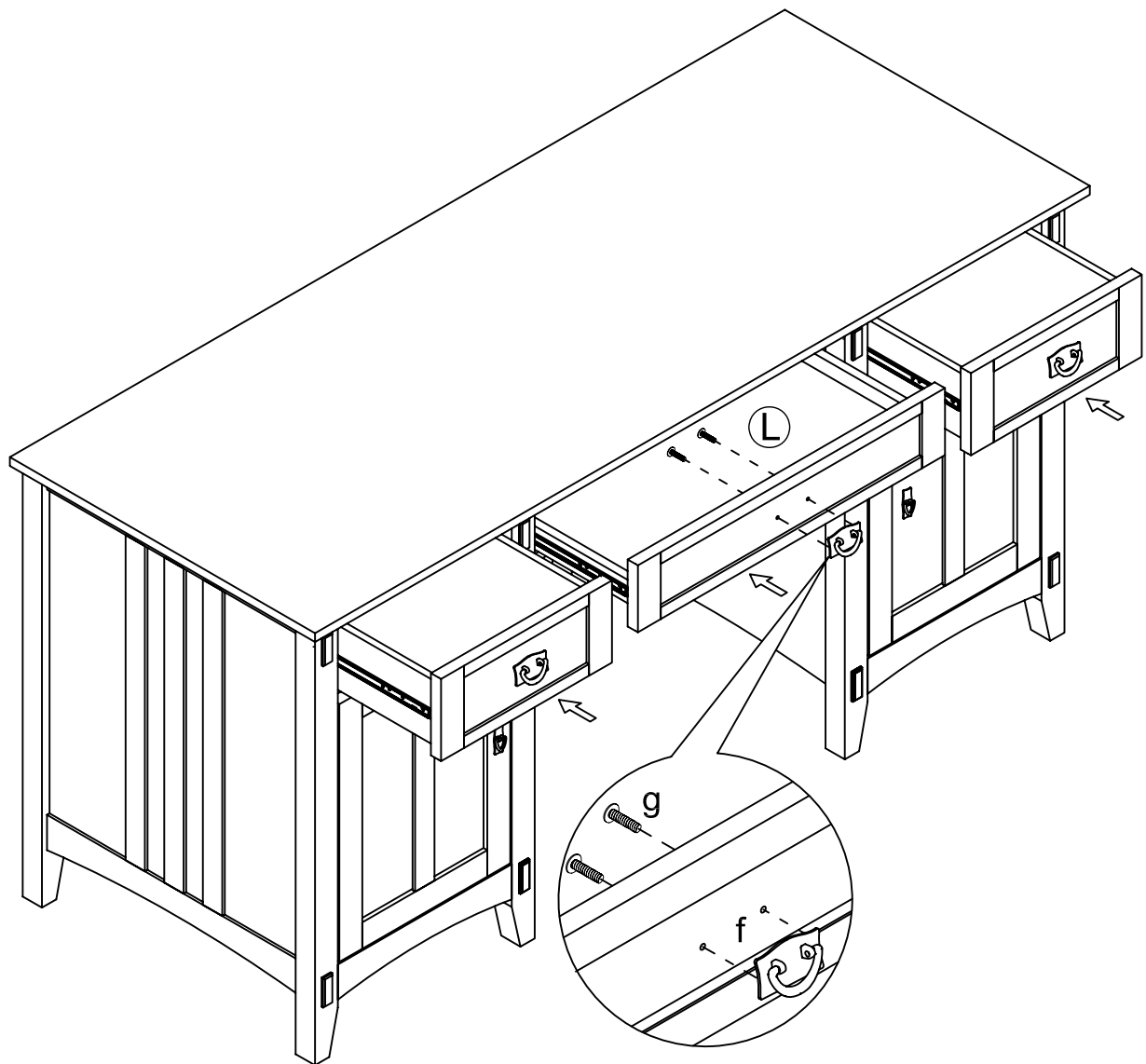
- PLACE THE SHELF PIN (j) INTO DESIRED POSITION AND PLACE THE ADJUSTABLE SHELF (M) ABOVE THE SHELF PIN (j).

FIG 8



- INSTALL THE WOOD DOWEL (a) AND THE CAM LOCK BOLT (b) INTO THE DRAWER FRONT PANEL (N).
- JOIN THE DRAWER LEFT SIDE PANEL (O) AND THE DRAWER RIGHT SIDE PANEL (P) TO THE DRAWER FRONT PANEL (N).
- ONCE JOINED, TIGHTEN CAM LOCK (c) ONTO CAM LOCK BOLT (b) USING PRE-DRILLED HOLES.
- COVER CAM HOLES WITH THE SHORT PLASTIC COVER (I).
- SLIDE THE DRAWER BOTTOM PANEL (Q) INTO THE GROOVES ON THE DRAWER LEFT SIDE PANEL (O) AND THE DRAWER RIGHT SIDE PANEL (P).
- JOIN THE DRAWER BACK PANEL (R) TO THE ASSEMBLED DRAWER PART AND TIGHTEN THE DRAWER BACK PANEL (R) BY USING THE 1" FLAT HEAD SCREW (e) THROUGH THE PRE-DRILLED HOLES ON THE SIDE PANELS.
- TIGHTEN THE HANDLE (f) TO THE DRAWER FRONT PANEL (N) BY USING THE HANDLE BOLT (g).
- REPEAT STEPS ABOVE FOR THE 2<sup>ND</sup> DRAWER.

FIG 9



- INSERT DRAWERS INTO THE ASSEMBLED UNIT.
- TIGHTEN THE HANDLE (f) TO THE CENTER DRAWER (L) BY USING THE HANDLE BOLT (g).