



www.furinno.com

NEED HELP? For replacement requests or product inquiries, please contact our Customer Service Team by emailing us at support@furinno.com. Thank you for selecting Furinno!

MODEL: FM6075R-3

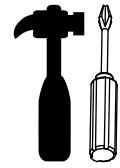
FURINNO MODERN 3-TIER STORAGE SHELVES

00:15

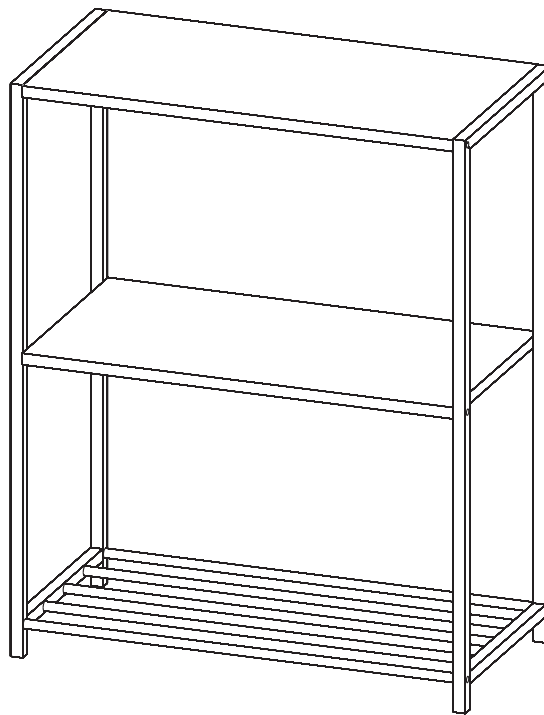
Approx. 15 minutes



1 Person Assembly


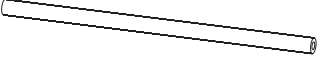
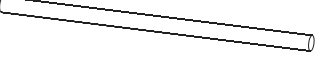
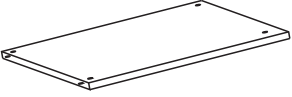
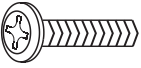




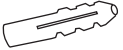


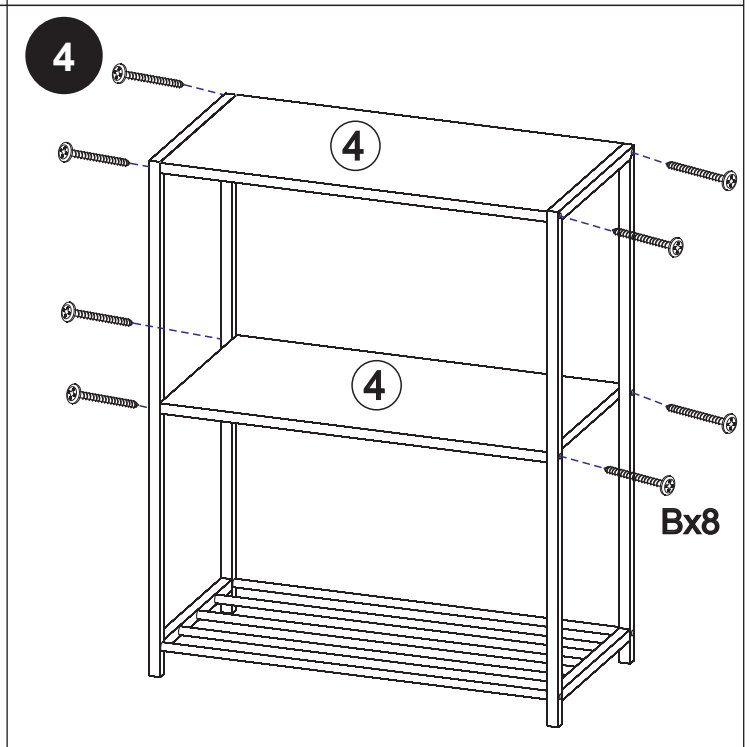
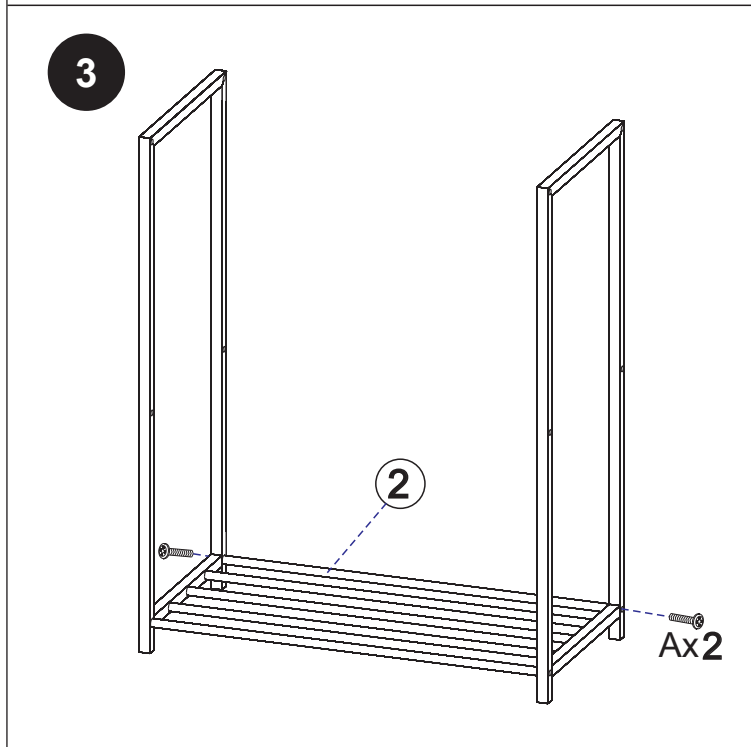
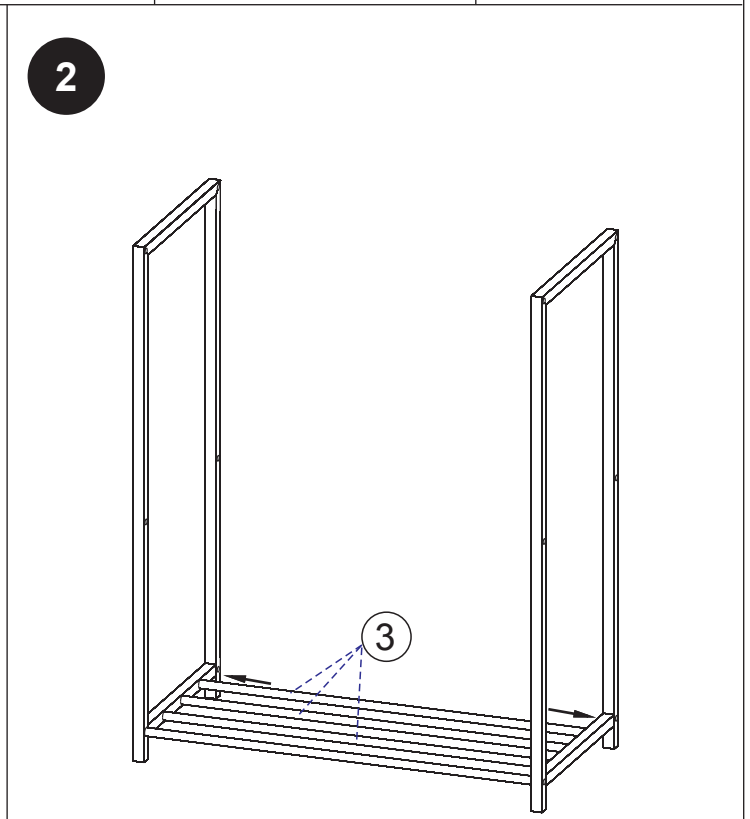
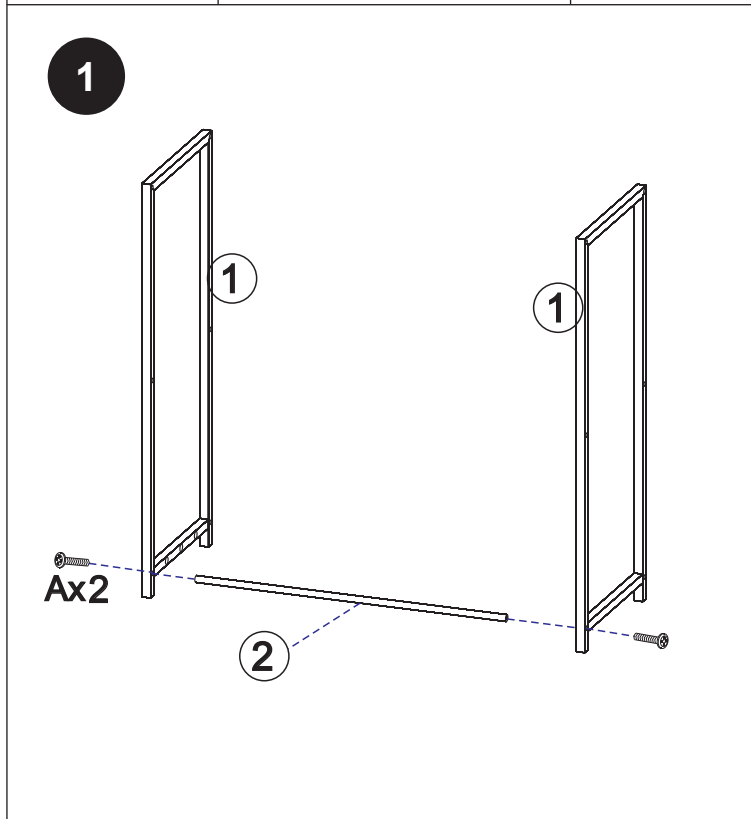
Tools Required



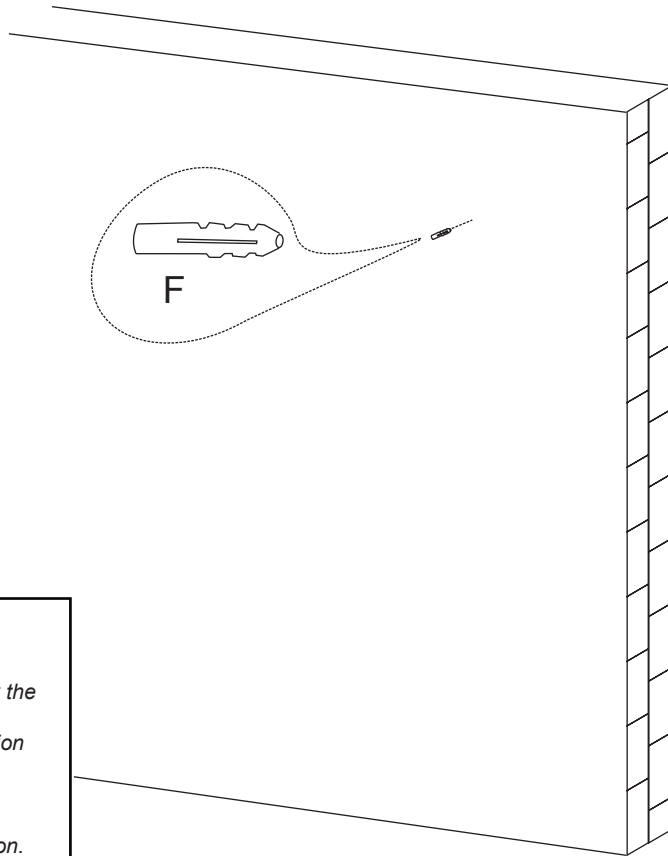
USEFUL HINTS BEFORE YOU START

1. Read each step carefully before assembling.
2. It is important that each step is performed in correct order to avoid difficulties.
3. Identify, sort and count the parts before assembly.
4. Assemble your furniture on packaging cardboard to prevent scratch or damage.
5. Clean the product with mild cleanser using soft damped cloth.
Do not use harsh or abrasive cleanser.
6. Using incompatible hardware might cause damage to product.

| | | | | |
|--|--|---|--|--|
| <p>①x2pcs</p>  | <p>②x2pcs</p>  <p>ø12X568MM (shorter)</p> | <p>③x3pcs</p>  <p>ø12X598MM (longer)</p> | <p>④x2pcs</p>  | <p>Ax4pcs</p>  <p>M6X25</p> |
| <p>Bx8pcs</p>  <p>ST5X45</p> | <p>Cx2pcs</p>  <p>ST3X12</p> | <p>Dx1pc</p>  <p>ST4X30</p> | <p>Ex1pc</p>  | <p>Fx1pc</p>  |



5



NOTE:

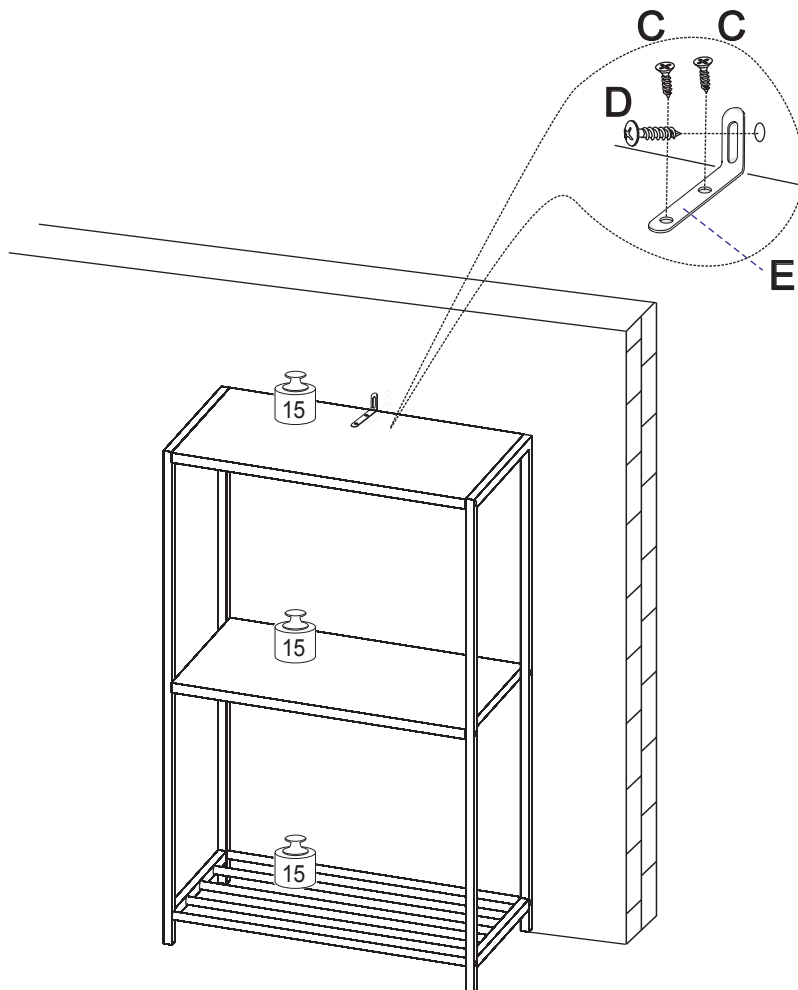
1. Installation to Wood Stud Walls

- 1.1 Use a stud finder (commercially available) and mark the location with an awl or pencil.
- 1.2 Pre-drill a hole in the wood stud at the marked location to insert Screw (D) at Step 6.

2. Installation to Concrete & Brick Walls

- 2.1 Mark the location to be used for securing the unit.
- 2.2 Drill holes using an electric drill at the marked location.
- 2.3 Insert a Concrete Anchor (F) into the hole using hammer.

6



WARNING:

>This unit has been designed to support the maximum loads shown. Exceeding these load limits could cause sagging, instability, product collapse, and/or serious injury.

>DO NOT allow children to climb on unit.

>Periodically check all fittings and re-tighten any screws as necessary.