



Item # 000 000  
Model # FCA80324HS-ST-3

## USE AND CARE GUIDE

---

### 3 PIECE BALCONY HIGH DINING SET



Questions, problems, missing parts? Before returning to the store  
call Royal Garden Customer Service.

6 a.m. - 9 p.m., EST, 9 a.m. - 5 p.m., PST, Monday - Friday

**(866) 988-3300**

**WWW.ROYALGARDEN.COM**

---

#### **THANK YOU**

*We appreciate the trust and confidence you have placed in Royal Garden through the purchase of this dining set. We strive to continually create quality products designed to enhance your home. Visit us online to see our full line of products available for your home improvement needs.*

*Thank you for choosing Royal Garden!*

# Table of Contents


Table of Contents.....	2	Pre-Assembly .....	3
Safety Information .....	2	Planning Assembly .....	3
Product Caution .....	2	Hardware Included .....	3
Safety Warnings .....	2	Chair Package Contents .....	4
Warranty .....	2	Table Package Contents .....	5
What is Covered .....	2	Chair Assembly .....	6
What is Not Covered .....	2	Table Assembly .....	8
		Care and Cleaning .....	10


# Safety Information


## PRODUCT CAUTION


This dining set was made for the explicit purpose of providing outdoor functions and is not to be used as a toy. This product is intended for normal outdoor use; however, the manufacturer recommends storing and / or covering this dining set when any formidable / severe weather is approaching. Do not locate this product near open flames. Do not use this product as a support. Do not shake, lean or climb on the product. Children under the age of 10, near the product, should be supervised by a competent adult at all times. This product is NOT intended for commercial use and will void the warranty.

## SAFETY WARNINGS

 **WARNING:** Please keep children out of the assembly area before assembly.

 **WARNING:** This dining set unit is heavy, and may require two adults for safe assembly.

 **WARNING:** Weight limit for the chairs is 250 lbs (113.39 kg) for each seat.

 **CAUTION:** Do not locate the product near any heat source.

 **WARNING:** Do not place heavy objects on the table top.

# Warranty

## 2 YEAR FRAME AND 2 YEAR FABRIC LIMITED WARRANTY

### WHAT IS COVERED

We warrant the frames to be free of manufacturing defects to the original purchaser for two years, and a two year limited warranty for the fabric.

### WHAT IS NOT COVERED

It remains the customer's responsibility for freight and packaging charges to and from our service center. This warranty does not cover commercial use, hardware, acts of nature, fire, freezing and abusive use. In addition, purchased parts are not covered under this warranty. We reserve the right to make substitutions with similar merchandise, if the model in question is no longer in production.

Contact the Customer Service Team at (866) 988-3300 or visit [WWW.ROYALGARDEN.COM](http://WWW.ROYALGARDEN.COM)

# Pre-Assembly

## PLANNING ASSEMBLY

Read all instructions before assembly.

To avoid damaging this product, assemble it on a soft, non-abrasive surface such as carpet or cardboard.

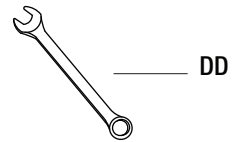
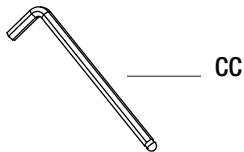


**NOTE:** More than one person may be required to assemble this product.

## HARDWARE INCLUDED



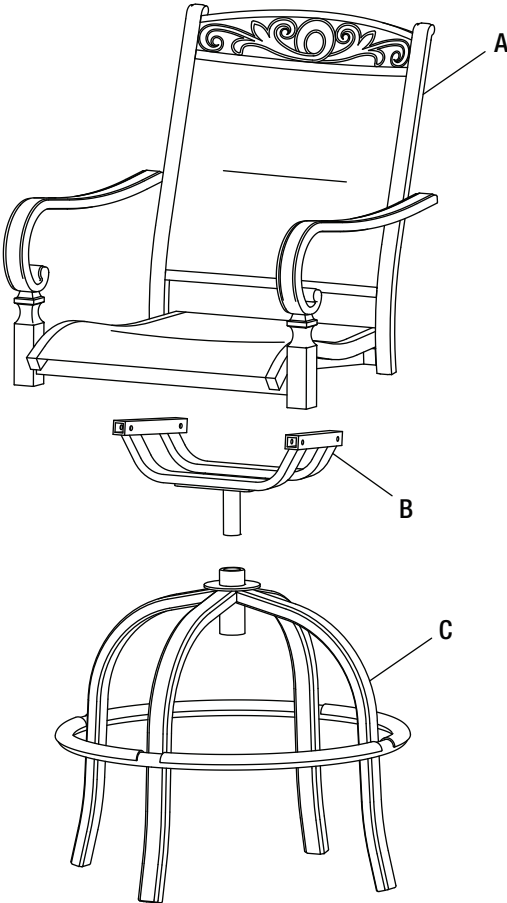
**NOTE:** Hardware not shown to actual size.



Part	Description	Quantity
AA	M6x30 combination bolt	24+1
BB	M8x40 combination hex bolt	8+1
CC	Hex wrench	2
DD	Wrench	1

# Pre-Assembly (continued)

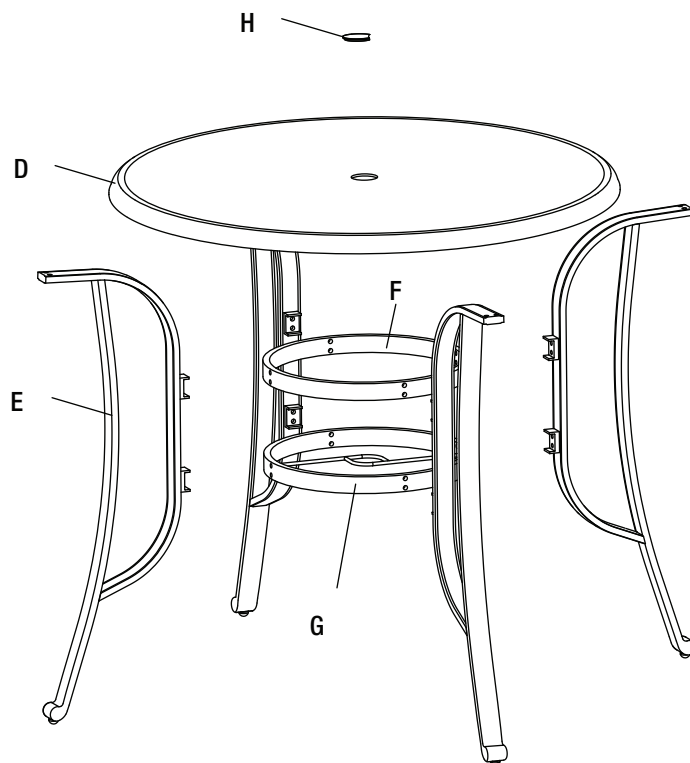
## CHAIR PACKAGE CONTENTS



Part	Description	Quantity
A	Chair frame	2
B	Chair connector	2
C	Chair base	2

# Pre-Assembly (continued)

## TABLE PACKAGE CONTENTS

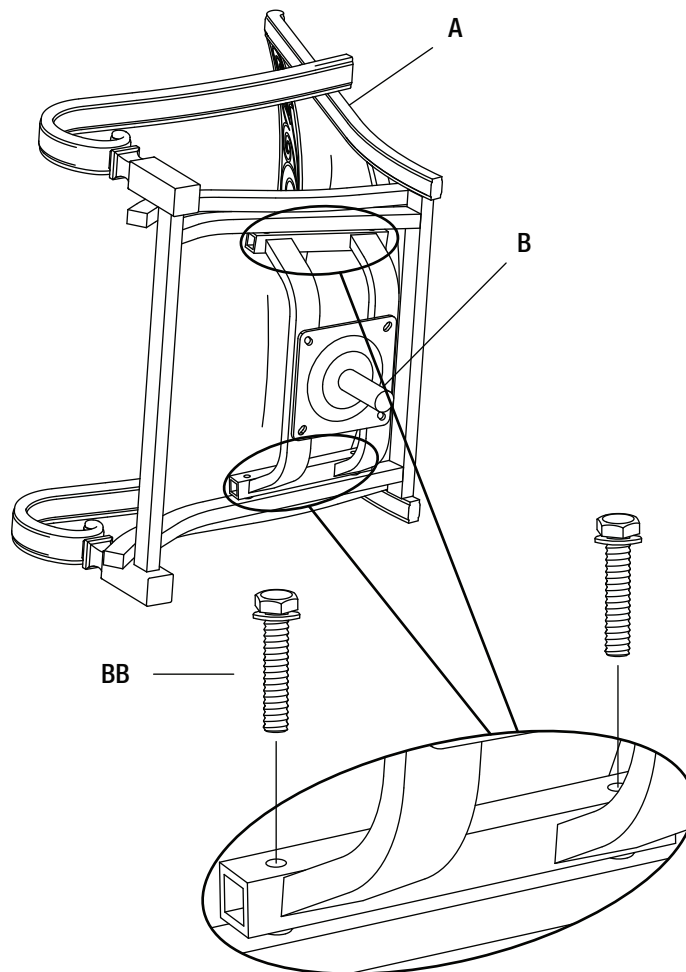


Part	Description	Quantity
D	Table top	1
E	Table leg	4
F	Leg connector	1
G	Umbrella connector	1
H	Umbrella cover	1

# Chair Assembly

## 1 ATTACHING THE CHAIR CONNECTOR TO THE CHAIR FRAME

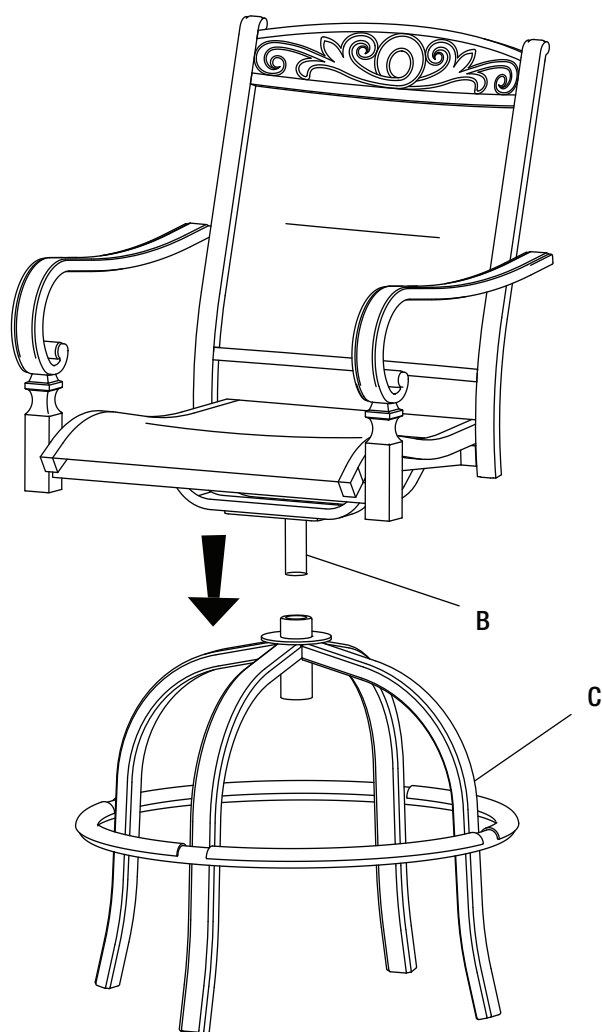
- Place the chair frame (A) upside down on a soft surface.
- Attach the chair connector (B) to the chair frame (A) using M8x40 combination hex bolts (BB).
- Once all of the bolts are in place, fully tighten the bolts using the wrench (DD).



## Chair Assembly (continued)

### 2 INSERTING THE CHAIR CONNECTOR TO THE CHAIR BASE

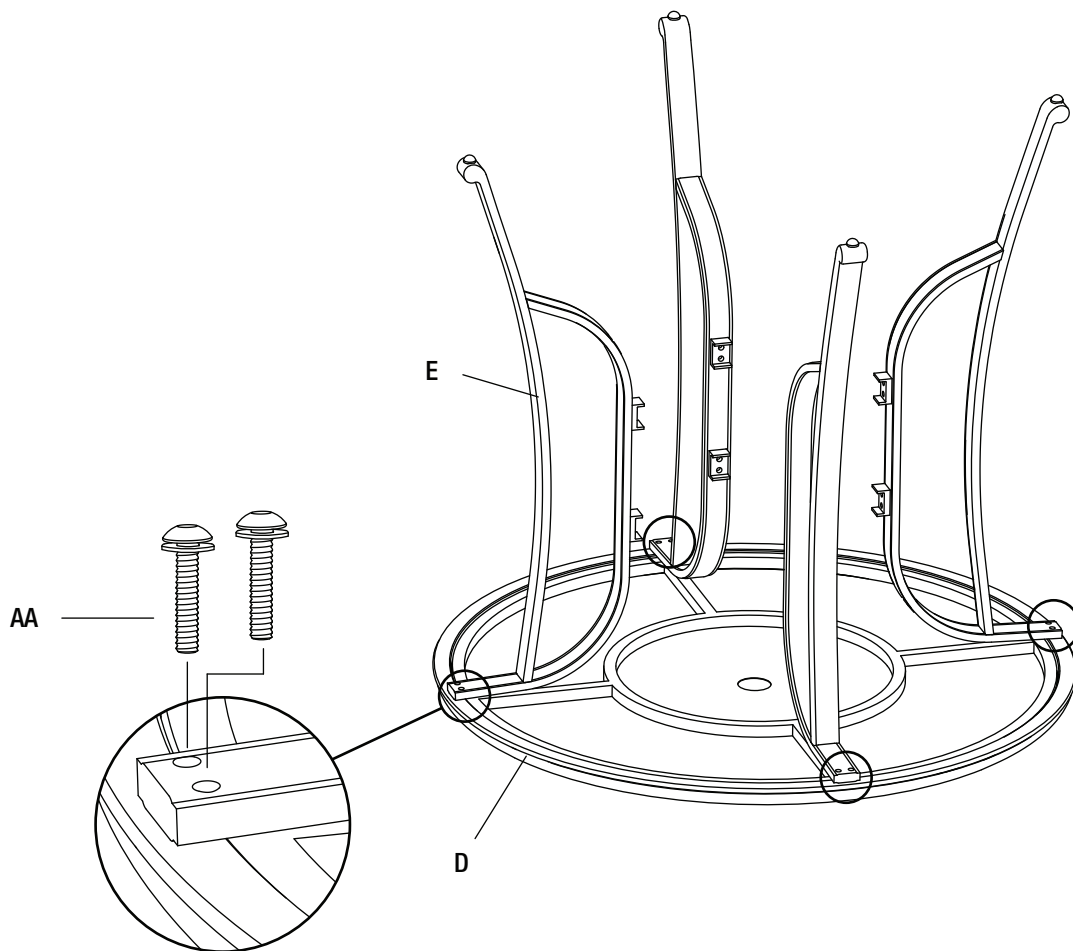
- Insert the chair connector (B) to the chair base (C).



# Table Assembly

## 1 CONNECTING THE TABLE LEGS

- Place the table top (D) upside down on a soft surface.
- Attach the table legs (E) to the table top (D) using M6x30 combination bolts (AA).
- Do not fully tighten all the bolts at this step.

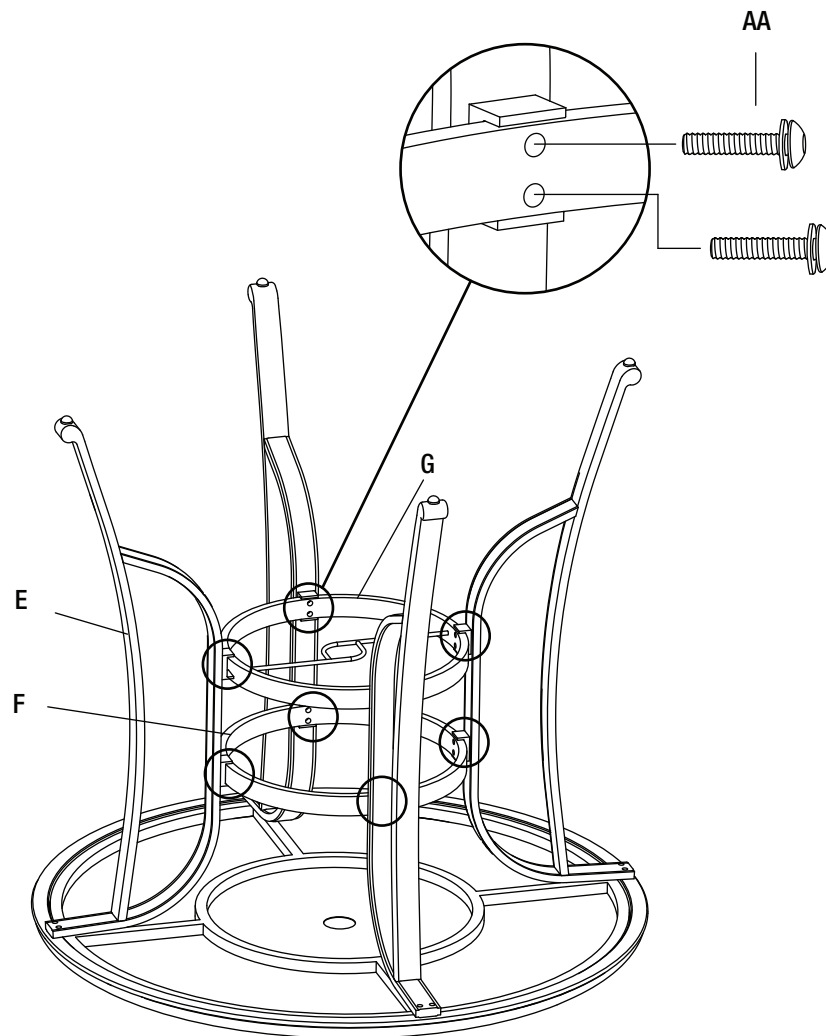




## Table Assembly (continued)

### 2 ATTACHING THE LEG CONNECTOR AND THE UMBRELLA CONNECTOR TO THE TABLE LEGS

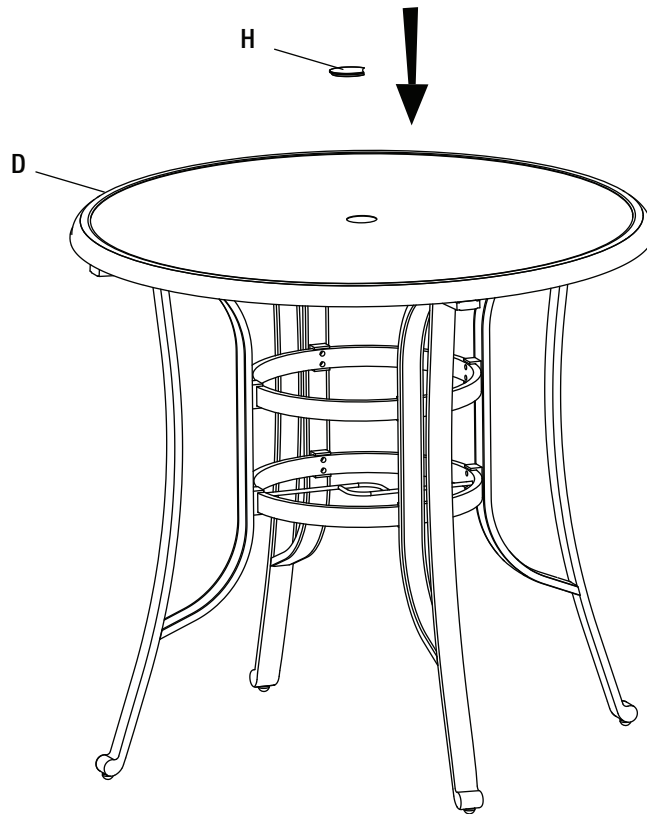
- Attach the leg connector (F) and the umbrella connector (G) to the table legs (E) using M6x30 combination bolts (AA).
- Do not fully tighten all the bolts at this step.



## Table Assembly (continued)

### 3 ADDING THE UMBRELLA COVER TO THE TABLE TOP

- Once all of the bolts are in place, fully tighten all the bolts by using the hex wrench (CC).
- Turn the table right side up and ensure all connections are secure.
- Carefully place the umbrella cover (H) to the table top (D).



## Care and Cleaning

- For best results, clean the dining set with a damp cloth and dry thoroughly. This will help prevent mildew by removing dirt particles that may accumulate.
- Do not clean with abrasive materials, bleach, or solvents.
- Store the dining set in a dry, sheltered place when not in use.
- Keep the dining set away from fire, extreme heat, freezing conditions, and inclement weather such as rain, hail, sleet, snow, or wind.



Questions, problems, missing parts? Before returning to the store  
call Royal Garden Customer Service.

6 a.m. - 9 p.m., EST, 9 a.m. - 5 p.m., PST, Monday - Friday

**(866) 988-3300**

**[WWW.ROYALGARDEN.COM](http://WWW.ROYALGARDEN.COM)**

Retain this manual for future use.