

1700 PSI

Electric Pressure Washer



**BLUE
CLEAN®**



ASSEMBLY, CARE AND USE INSTRUCTIONS

Model AR 240 S

READ CAREFULLY

**IMPORTANT: RETAIN THESE INSTRUCTIONS
AND ATTACH RECEIPT TO MANUAL FOR FUTURE
REFERENCE**

Questions, problems, missing parts?

Before returning to your retailer, call our customer service department at 1-866-235-5112, 8 a.m. - 5:00 p.m., CST, Monday - Friday.
www.arblueclean.com

92727-LQ

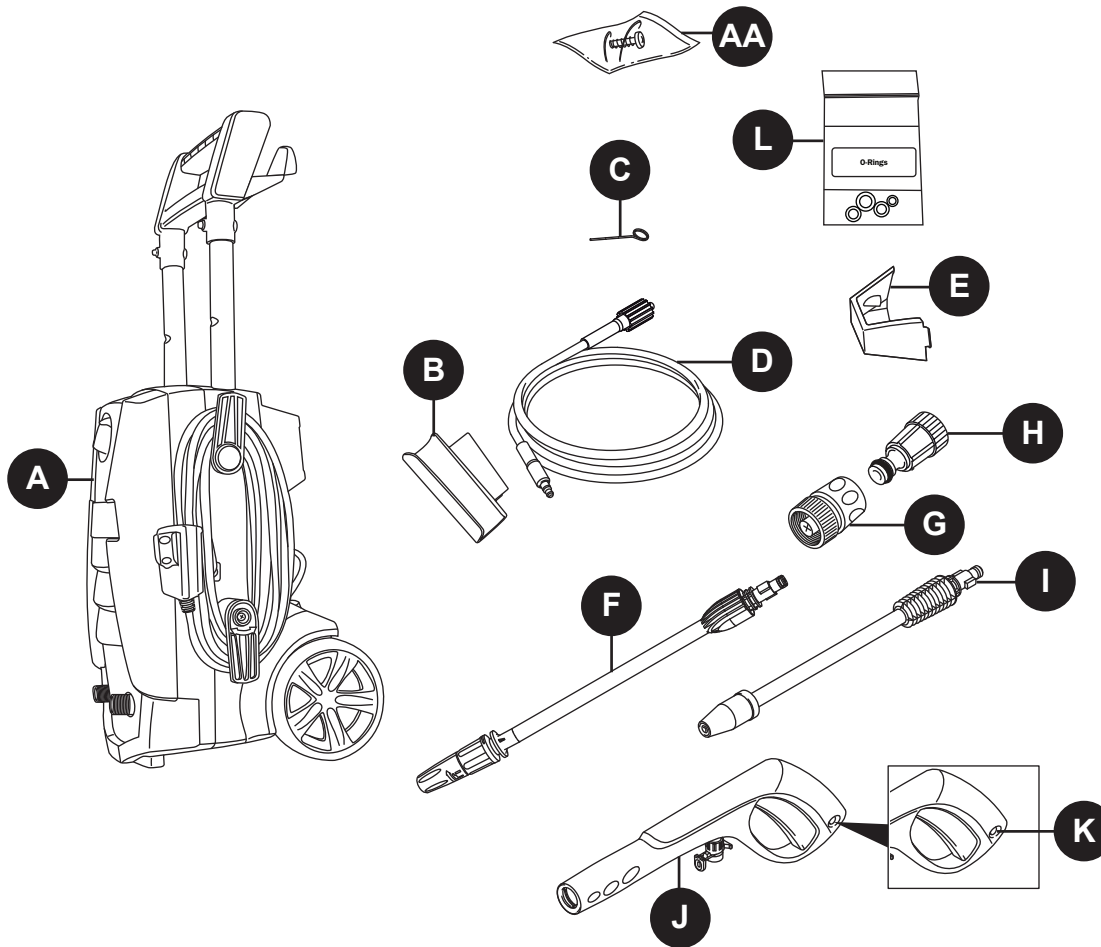
TABLE OF CONTENTS

Product Specifications	2
Package Contents	3
Hardware Contents	3
Safety Information.....	4
Assembly Instructions.....	6
Operating Instructions	10
Care and Maintenance	14
Pump Saver	15
Troubleshooting.....	16
Limited Warranty.....	17
Replacement Parts List	18

PRODUCT SPECIFICATIONS

SPECIFICATIONS						
Model	Rated PSI (lbs/sq. in.)	Max GPM (Gal/per min)	Cold Water	Volts	Amps	Weight (lbs.)
AR 240 S	1700	1.4	✓	120	13	24

PACKAGE CONTENTS



PART	DESCRIPTION	QUANTITY
A	Power Washer Unit	1
B	Spray Gun Holster	1
C	Nozzle Cleaning Wire	1
D	High Pressure Hose	1
E	Nozzle Tray	1
F	High/Low Nozzle Lance	1
G	QC Garden Hose Adapter	1

PART	DESCRIPTION	QUANTITY
H	Clear Quick Connect with Filter	1
I	Turbo Nozzle Lance	1
J	Spray Gun	1
K	Spray Gun Trigger Lock	1
L	O-Ring Kit	1
AA	Screw	1

HARDWARE CONTENTS

AA



Note: Screw is located in package with manual

Screw
Qty. 1

SAFETY INFORMATION

Please read and understand this entire manual before attempting to assemble, operate, or install the product.

This manual contains information that relates to PROTECTING PERSONAL SAFETY and PREVENTING EQUIPMENT PROBLEMS. It is very important to read this manual carefully and understand it thoroughly before using the product. The symbols listed below are used to indicate this information.



DANGER

Potential hazard that **will result in serious injury or loss of life.**



WARNING

Hazard that **could result in serious injury or loss of life.**



CAUTION

Potential hazard that **may result in moderate injury or damage to equipment.**

Note: The word “Note” is used to inform the reader of something the operator needs to know about the tool.



WARNING

To reduce the risk of injury, the user must read and understand the instructions before using this product.

1. Warning – When using this product basic, precautions should always be followed, including the following
2. Read all the instructions before using the product
3. Know how to stop the product and bleed pressures quickly. Be thoroughly familiar with the controls.
4. Keep operating area clear of persons
5. Do not overreach or stand on unstable support. Keep good footing and balance at all times.
6. Follow the maintenance instructions as specified in the manual
7. To avoid personal injury and/or damage to property and to maximize your power washing experience, carefully follow all of the safety tips, instructions, warnings and safeguards and become familiar with all of the controls.
8. This power washer conforms to CSA and other safety and consumer standards. **DO NOT** modify or rebuild any part of your power washer.
9. **DO NOT** use your power washer when you are under the influence of alcohol or drugs. Use this power tool carefully and only when you are alert.
10. Watch your balance and footing while using your power washer. Surfaces become slippery when wet and are extra slippery when using a detergent or cleaner.
11. **NEVER** operate the power washer in bare feet, sandals, or open-toed shoes.
12. When using the power washer near children, make sure they are closely supervised by an adult to avoid injury. **NEVER** let a child use the power washer.
13. Keep fingers, hands, feet and any part of your body clear of the stream of high pressure water. The powerful spray can cause blindness or blast holes in the skin. It can break a window if you are too close when you pull the trigger on the spray gun.
14. **ALWAYS** wear eye protection to prevent injury to eyes when operating the power washer.
15. To avoid mishaps or injury, **ALWAYS** use the trigger safety lock when not using the power washer even if the spraying stops for a moment.
16. The power washer is equipped with a Ground Fault Circuit Interrupter (GFCI) which greatly reduces the chance of electric shock while the unit is in use. If replacement of the plug or cord is needed, use only identical replacement parts.
17. Point the spray gun in a safe direction when beginning a power washing session.
18. **NEVER** spray directly at a person, animal, electrical device or the unit itself.
19. When first using the spray gun, hold the spray gun and lance with two hands when pulling the trigger (one hand to pull the trigger and the other to stabilize the gun assembly) until you get used to the “kickback” from the spray gun.
20. When you press the power switch to turn off the power washer, water pressure may remain in the system. To discharge the pressure, point the spray gun in a safe direction and pull the trigger.
21. **NEVER** spray flammable liquids.
22. **NEVER** use the power washer in areas that contain combustible dust, liquids or vapors.
23. Avoid contact of the pressure hose with sharp objects and examine the hose regularly. Replace if damaged. Due to the high pressure involved, it cannot be repaired if cut or damaged.
24. Only use detergent specifically formulated for power washers and follow instructions on the detergent’s label.
25. Protect eyes, lungs, and skin from exposure to

SAFETY INFORMATION

detergent. Dish or laundry soap is too thick and will clog the nozzle of your detergent bottle.

IMPORTANT: Store the power washer indoors to prevent the water in the unit from expanding under freezing conditions. When the water freezes and expands, your power washer will be damaged and become inoperable. Or, if storing outdoors, it is recommended you use pump saver (not included) to protect pumps.

26. **NEVER** use hot water with your power washer. It will overheat and damage the high pressure pump.
27. **NEVER** leave the power washer unattended while it is powered "ON".
28. **ALWAYS** turn the water supply "ON " before turning the power washer power to "ON". Running the pump dry will cause damage to the internal components.
29. **NEVER** use a water supply to your power washer that exceeds 150 PSI maximum.

30. **NEVER** disconnect the high pressure hose from the power washer while the system is pressurized.
31. **NEVER** permanently engage the trigger mechanisms on the spray gun.
32. **NEVER** operate the power washer unless all components are properly and securely connected.
33. **NEVER** allow the power washer pump to run for more than one minute after you have turned off the water supply. This can cause the motor and pump to overheat and fail.
34. **NEVER** use lances or other parts that are not compatible for this specific AR Blue Clean unit.
35. **NEVER** use an extension power cord since it defeats the effectiveness of the GFCI and increases the chance of electrocuting the operator.
36. **NEVER** spray any electrical outlet with your power washer.
37. Inspect the power cord before using. **DO NOT** use it if it is damaged.

KEEP THESE INSTRUCTIONS FOR FUTURE REFERENCE.

Servicing of a Double-Insulated Appliance

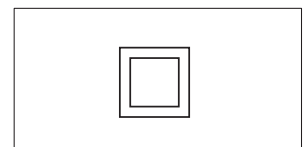
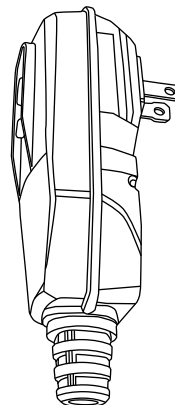
Ground Fault Circuit Interrupter Protection:

This pressure washer is provided with a ground-fault circuit-interrupter (GFCI) built into the plugs of the power-supply cord. This device provides additional protection from the risk of electric shock. Should replacement of the plug or cord become necessary, use only identical replacement parts that include GFCI protection.

In a double-insulated product, two systems of insulation are provided instead of grounding. Grounding means are not provided for a double insulated product, nor should grounding means be added to the product. Servicing a double-insulated product requires extreme care and knowledge of the system, and should only be done by qualified service personnel.

Replacement parts for a double-insulated product must be identical to the original parts.

A double-insulated product is marked with the words "Double Insulation" or "Double Insulated". Product may also be marked with symbol shown here.



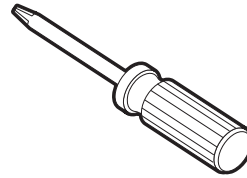
Double Insolated Product

PREPARATION

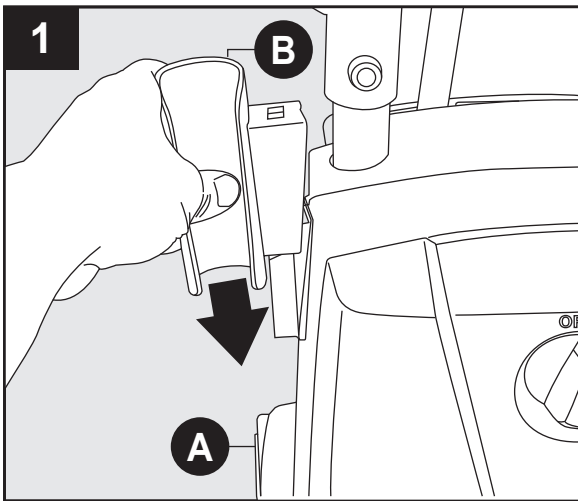
Before beginning assembly of product, make sure all parts are present. Compare parts with package contents list and hardware contents list. If any part is missing or damaged, **DO NOT** attempt to assemble the product.

Estimated Assembly Time: 5 minutes

Tools Required for Assembly (not included): Phillips screwdriver



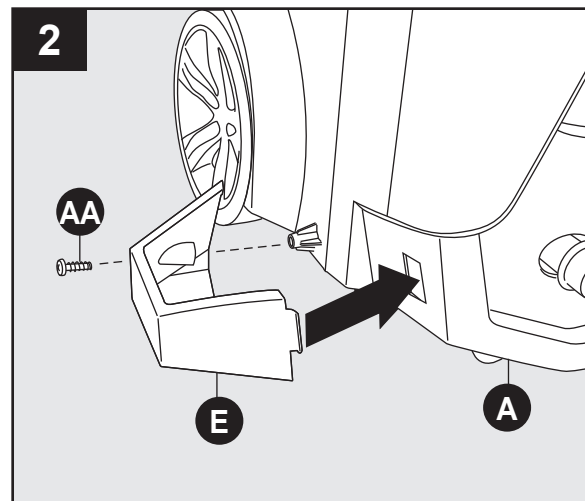
ASSEMBLY INSTRUCTIONS



Power Unit Assembly

Slide the spray gun holster (B) onto left side, when facing the unit, of power washer unit (A).

Note: When placing the gun with the lance attached, the nozzle will rest in this tray.

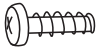


Slip tab into slot and screw the nozzle tray (E) on bottom left, when facing the unit, of power washer unit (A). Secure with screw (AA).

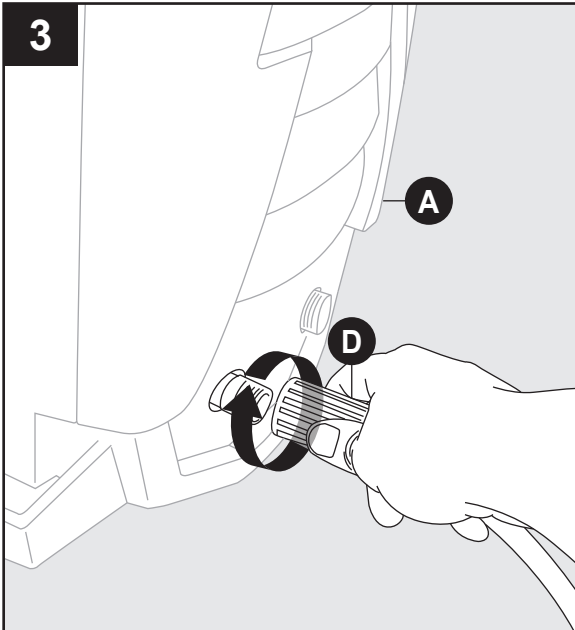
Note: DO NOT use a power screwdriver. When the screw is completely tight, give a small final clockwise twist of the screwdriver.

DO NOT overtighten.

Hardware Used:

AA Screw  x 1

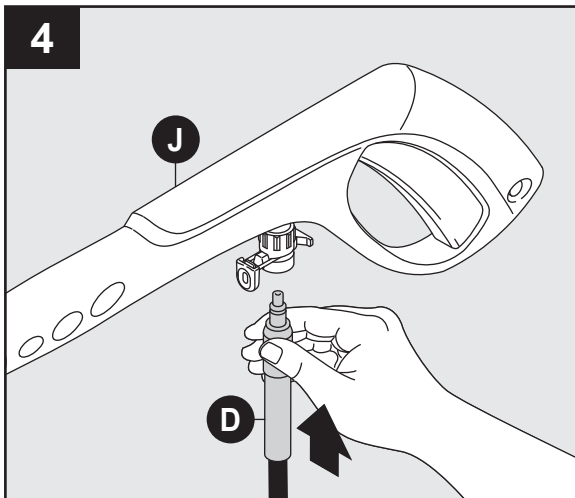
ASSEMBLY INSTRUCTIONS



High Pressure Hose Assembly

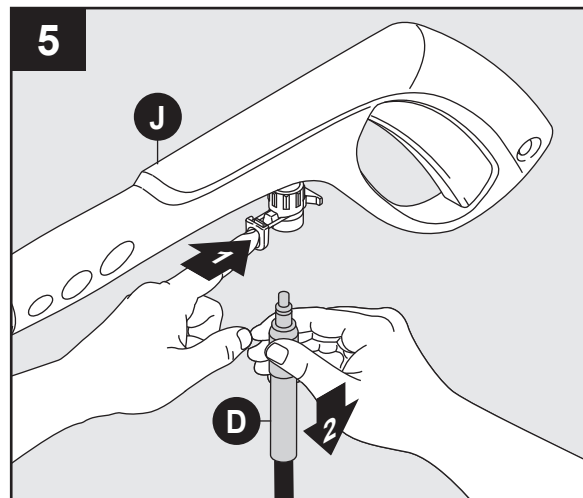
Screw high pressure hose (D) clockwise onto bottom front of power washer unit (A). Pull back collar and insert o-ring post into water outlet far enough so collar can thread onto outlet threads until hand tight. If it takes fewer than six turns you have not properly tightened the high pressure hose fitting. It is easier to position the power washer in front of you to ensure that the threads are started correctly. Failure to properly tighten high pressure hose will result in the hose slipping or popping off immediately upon turning unit on. Do not worry about damage if this occurs—just reinstall and take extra care when screwing on the high pressure hose fitting.

Note: DO NOT use pliers or locking pliers to tighten.



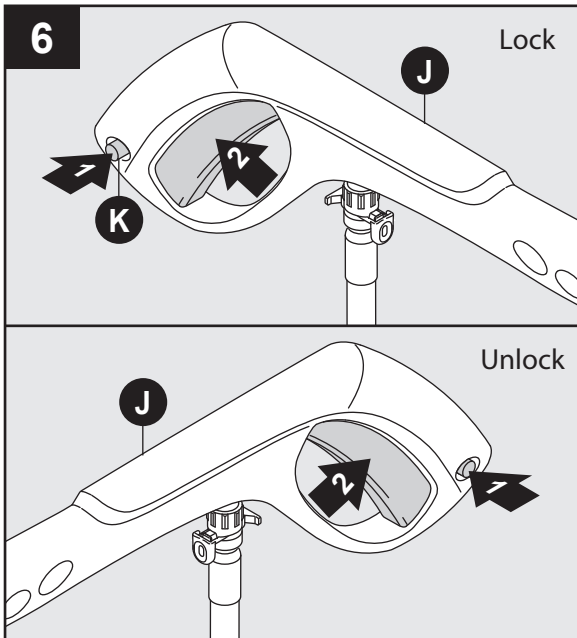
Connect the other end of high pressure hose (D) to spray gun (J) by inserting the brass metal tip of high pressure hose into the fitting just ahead of trigger guard. It will lock into spray gun with a “click”. Confirm hose is locked into spray gun by slightly pulling on them. The hose is now securely attached to spray gun.

Note: DO NOT press button on underside of gun when connecting hose to gun.



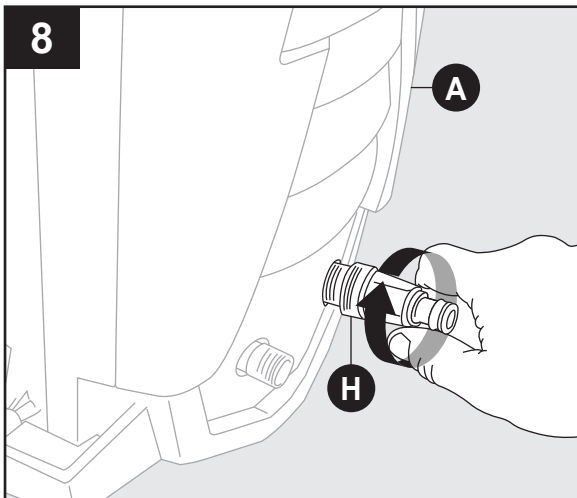
To release hose (D) from spray gun (J), press button on underside of gun toward trigger guard. The hose will slide out from connection.

ASSEMBLY INSTRUCTIONS



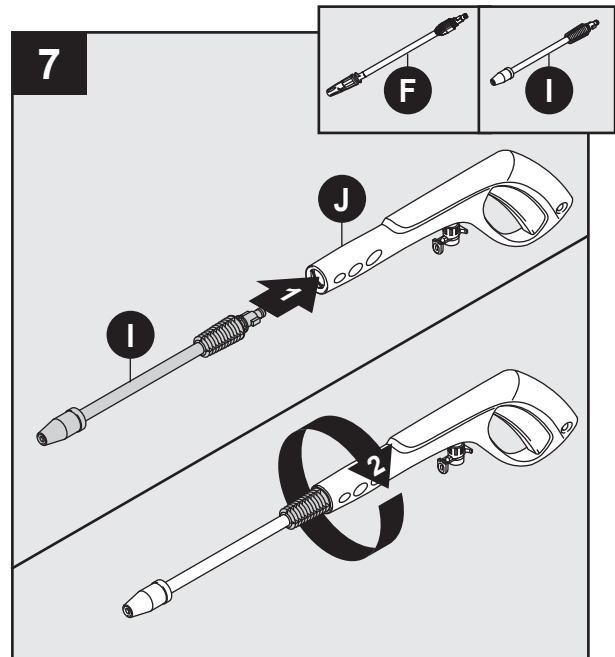
Locking Spray Gun (before Lance installation)

To lock the trigger of the spray gun (J), aim the gun away from you and push the lock button from right to left. After doing so, squeeze or pull the trigger to make sure it is locked and will not move. Always leave lock button in locked position when not in use. This ensures the gun is in "safe" mode until it is ready for use.



Garden Hose Adapter Installation

Remove plastic shipping cover on water inlet on front right side of power washer unit (A). Install clear quick connect (H) to water inlet by hand, tightening clockwise.



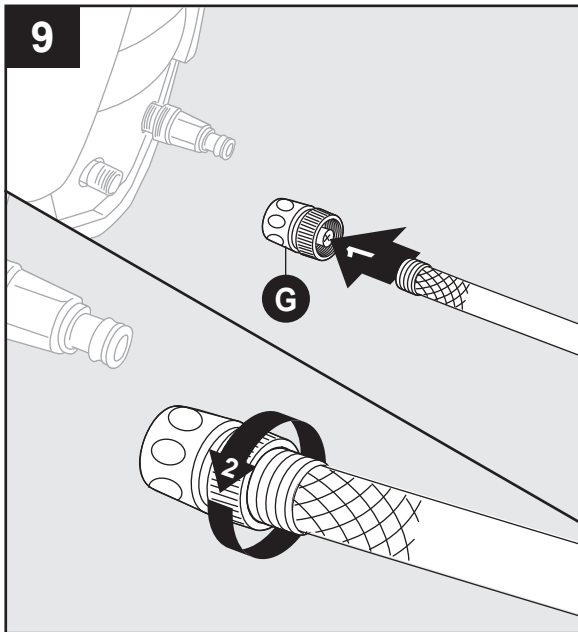
High/Low Nozzle Lance and Turbo Nozzle Lance Installation

While the spray gun (J) is in the locked position, insert the high/low nozzle lance (F) or turbo nozzle lance (I) into the end of the spray gun, by inserting and pushing together turning clockwise simultaneously. To remove, push together and turn counterclockwise.

Note: Always push the safety lock button to lock the trigger when changing lances to ensure that they do not accidentally eject with force during removal.

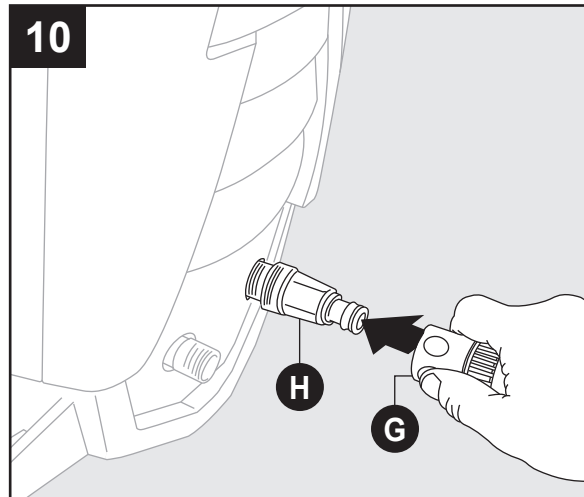
Note: When using the turbo lance, make sure the turbo nozzle is screwed on tight at the end of the lance each time you use it.

ASSEMBLY INSTRUCTIONS



Attach a garden hose to QC garden hose adapter (G).

Note: Flush out garden hose before connecting to QC garden hose adapter.

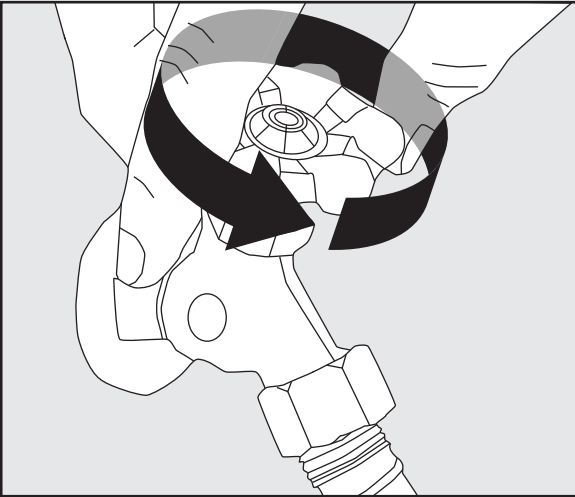


Push the QC garden hose adapter (G) onto the clear quick connect (H). It will “click” into place. Do not pull the blue sleeve back while pushing QC garden hose adapter (G) onto clear quick connect (H). The water is now connected to your power washer.

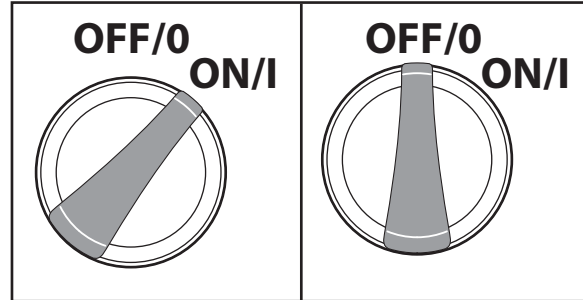
Note: To remove water hose, pull back on blue collar and it will slide off the clear quick connect. This can be done at any time. Water will not come out of the garden hose as the blue/black collar has a water stop check valve. Water will only flow from the garden hose when it is connected to the clear quick connect.

You have now completed the assembly and are ready to begin using your electric power washer. Read and observe all safety instructions.

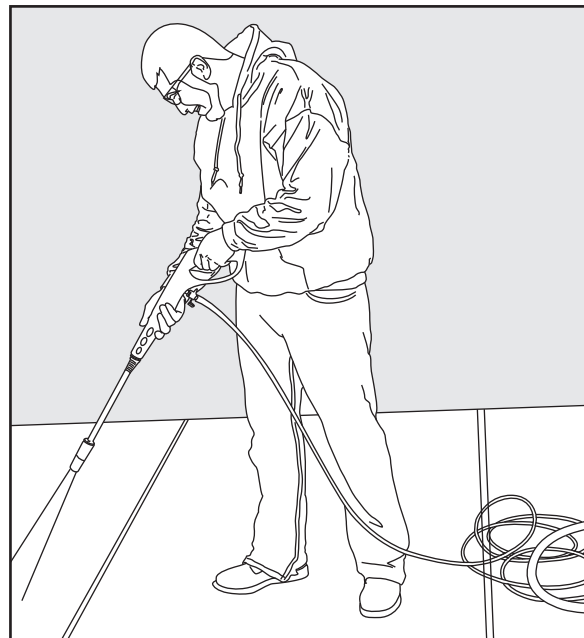
OPERATING INSTRUCTIONS



- Turn on water supply at the faucet to completely open
- Make sure the “ON/OFF” switch is in the “OFF” position. The power switch has international symbols for ‘on’ and ‘off’: On (I) Off (O).
- Unwind the power cord completely and plug the GFCI into a grounded 120 volt outlet.
- Release safety push trigger lock up and back into trigger. While pointing the spray gun in a safe direction, squeeze the trigger on the spray gun until there is a steady stream of water, letting the water and air out of the hose. Push trigger lock back down to lock back into place.



- Turn the power switch to the “ON” (I) position. The unit will turn on for 1 - 2 seconds and shut off. This is a normal function of the auto start feature. Squeeze the spray gun trigger to begin pressure washing.
- Begin power washing by squeezing the trigger on the spray gun all the way into the handle.
- Release the spray gun trigger to stop the power washer
- Allow the motor to come to a complete stop before squeezing the trigger again.
- Squeezing rapidly will cause the auto start feature to miss an on/off cycle that may prevent it from turning on while squeezing trigger after rapid squeezing. Use slow deliberate trigger pulls to avoid such symptoms.

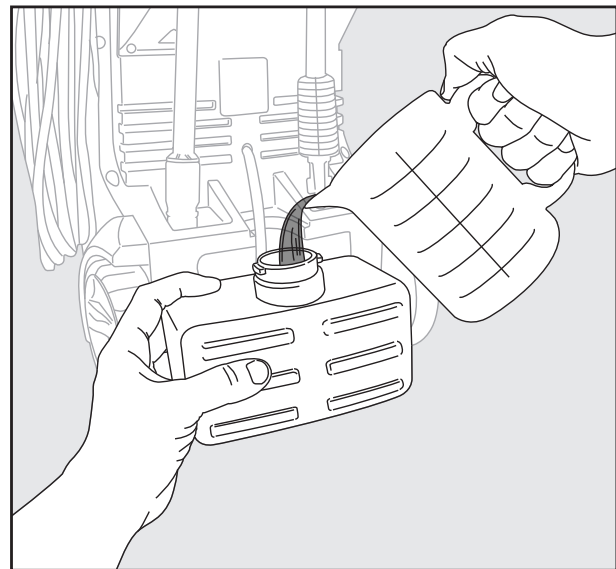
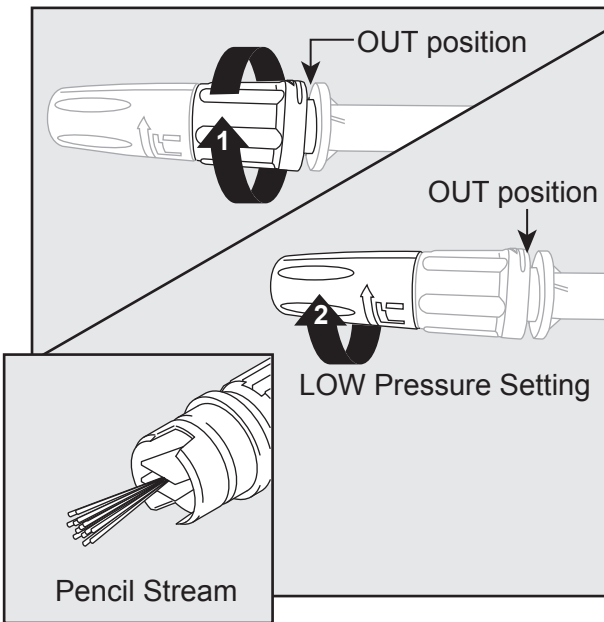
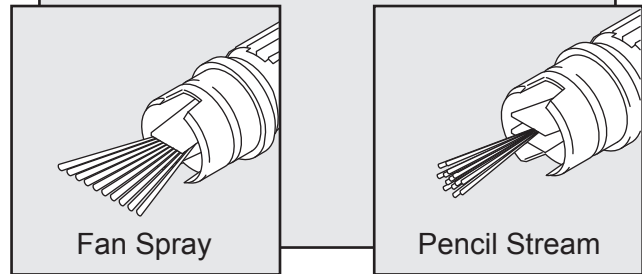
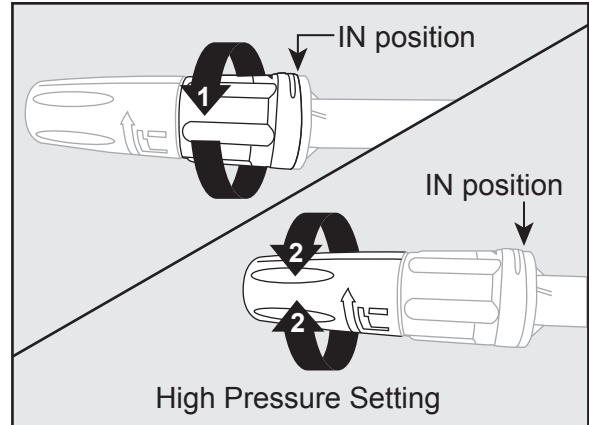


- **Always test** a small area to avoid chance of damaging the surface.

OPERATING INSTRUCTIONS

Using High/Low Nozzle

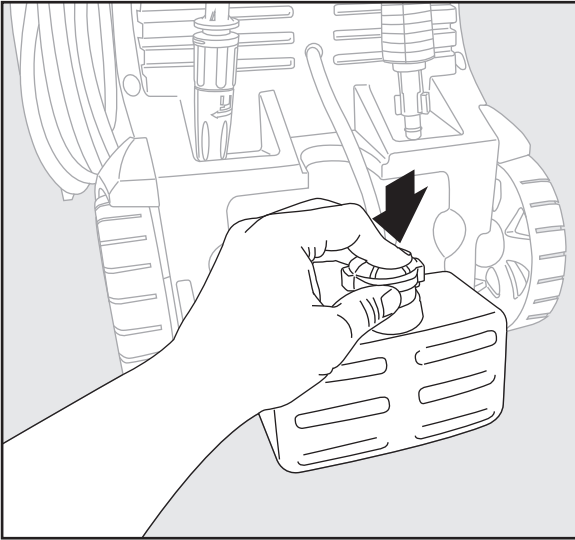
- High pressure spray is used for cleaning and low pressure spray activates the detergent function.
- The adjustable spray nozzle has two (2) positions:
 - IN position for high pressure spray. Twist the nozzle counterclockwise until it stops and gap is closed.
 - OUT position for low pressure spray for detergent function. Twist the nozzle clockwise until it stops and gap is open.
- When using the high pressure setting, twist the nozzle head clockwise or counterclockwise to achieve the stream desired.
- When using the low pressure setting twist the nozzle head clockwise to open the fan blades all the way.



IMPORTANT: When applying detergent using low pressure spray, the variable spray head must be set for the “Pencil Stream”. This is when the metal blades in front of the nozzle are wide open so the detergent spray is not constricted.

- When using the detergent, fill it with a properly formulated detergent or cleaner with water ratio according to instructions on the container.
- **DO NOT** use thick gel-like detergents, as they will clog the power washer and can cause damage.

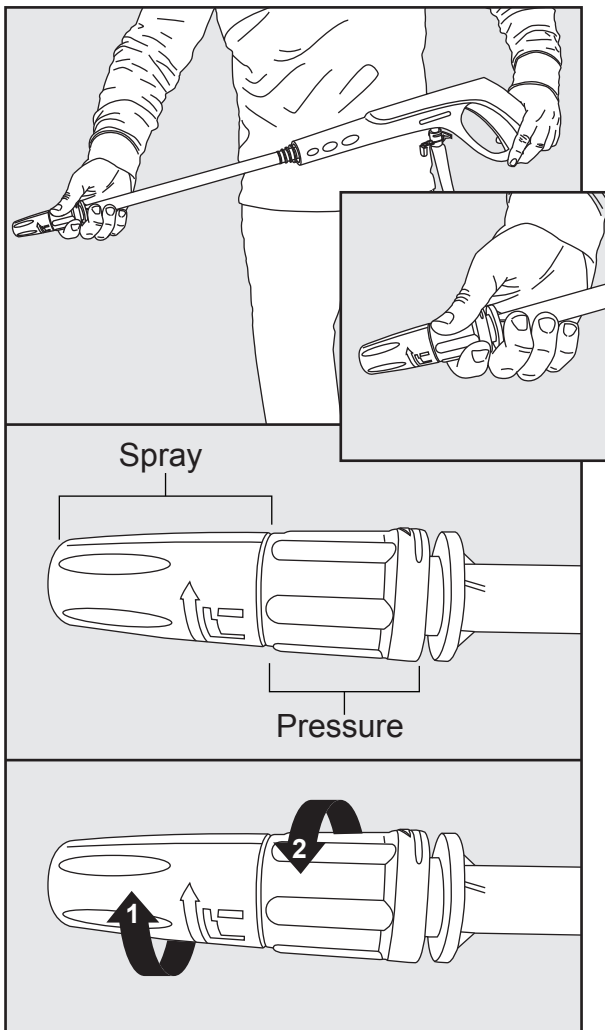
OPERATING INSTRUCTIONS



- When removing the detergent tank remove lid and place finger in tank lifting up while pulling tank out.

Operation Tips

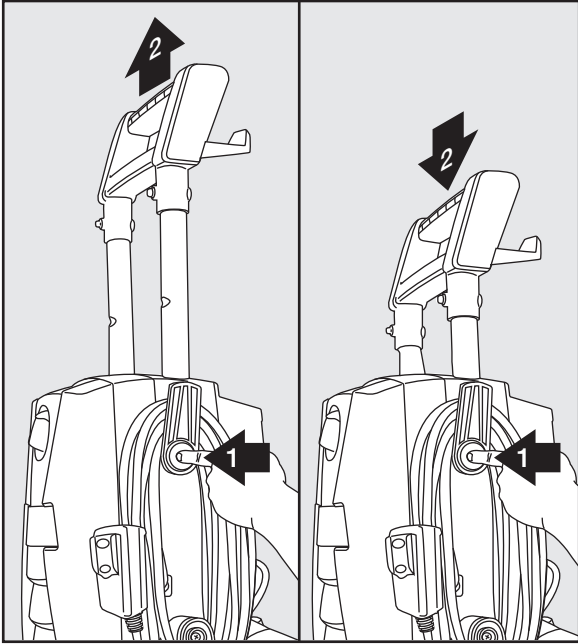
- If you hear the motor run intermittently when the trigger is not being squeezed, that is normal. The pump is priming itself so it is ready to operate when the trigger is squeezed. Turn off the power washer if not being used after five minutes.
- The o-rings on the bayonet end of the lance should be cleaned regularly and lubricated with non-water soluble grease such as petroleum jelly.
- Keep the nozzle cleaning wire for use in unclogging the nozzle. If you lose the cleaning wire, a straightened paper clip also works.



How to Avoid Damaging Surfaces

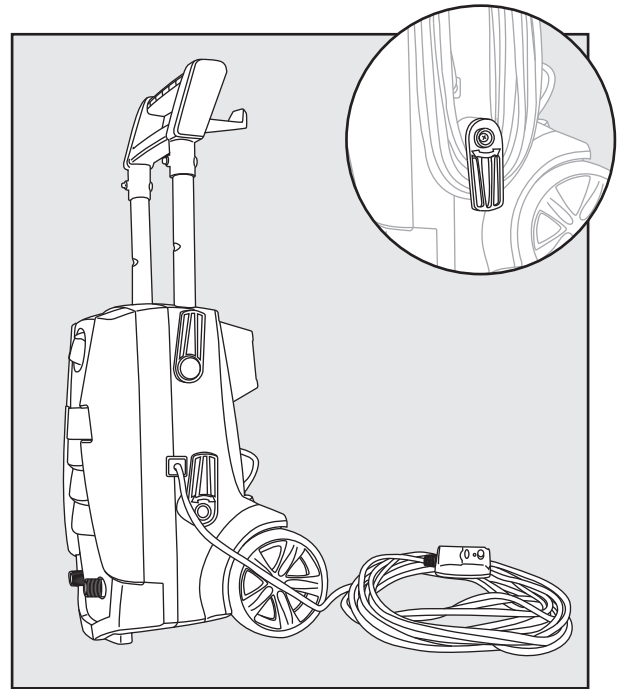
- Damage to surfaces being cleaned occurs because the impact force of the water pressure exceeds the durability of the surface. Bare wood can be penetrated; paint can be peeled off, etc. You can vary the force of your power washer by controlling:
 1. The angle of the surface being cleaned
 2. The distance of the nozzle from the surface being cleaned
- **NEVER** use a narrow high pressure stream of water on soft surfaces susceptible to damage.
- Use the high/low nozzle lance when cleaning windows. Be sure to adjust the nozzle to low spray and place the nozzle approximately four to five feet away from the window with the nozzle at forty five degree angle. Squeeze the trigger and vary the spray pattern and angle until optimum cleaning efficiency is achieved.

OPERATING INSTRUCTIONS



Extending and Lowering Handle

- Extend the handle up by pressing the blue button in the cord hook and pull handle up until it locks in place.
Note: If handle does not easily slide up, add some petroleum jelly (not included) to help make it glide easier.
- Lower the handle by pressing the center of the upper cord hook and push down on the handle until all the way down.



Using Power Cord

- Easily remove the power cord from side of unit by swiveling the bottom blue cord hook to the right or left until it faces up. The power cord then can be easily slid off of the side of the power washer unit.
- Swivel blue, cord hook back down when ready to wrap the cord back into place for storage.

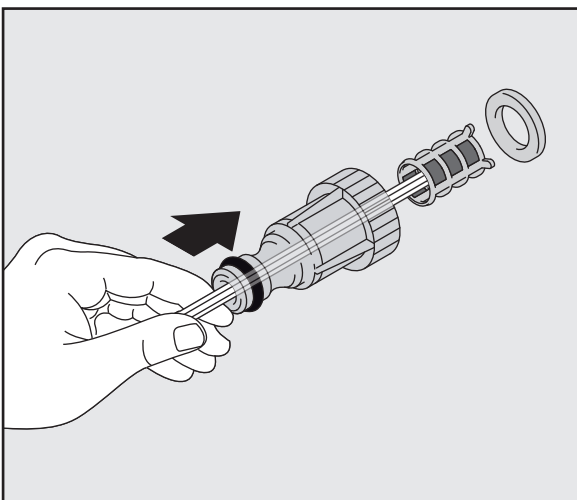
CARE AND MAINTENANCE

Detergents

- Use detergents designed for power washers. These can be purchased online at our website www.arblueclean.com. Hardware stores or home centers also have power washer detergents for different cleaning projects. The cleaning solution should be the consistency of water in order to prevent clogging your detergent bottle and nozzle.
- This system applies detergent under low pressure. The cleaning power of the detergents is enhanced when applied with low pressure and enough time is given to break down dirt and grime. The combination of low pressure and chemical action is very effective and can be better than scrubbing if applied properly. **ALWAYS** spray detergent on a dry surface. **DO NOT** pre-soak area. Wetting the surface first dilutes the detergent and reduces its cleaning ability. **DO NOT** allow detergent to dry on surface. On vertical surfaces being cleaned, apply detergent to lower surfaces and work your way up to prevent detergent from causing streaks in the dirt and grime. Rinse detergent by pressure washing from bottom up for same reason.
- If a stain is particularly tough, it may be necessary to reapply the detergent and use a bristled brush to scrub the stain. Subsequent power washing after brushing should successfully complete your cleaning job.

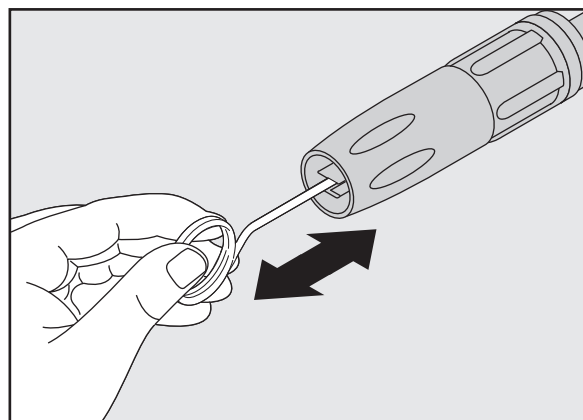
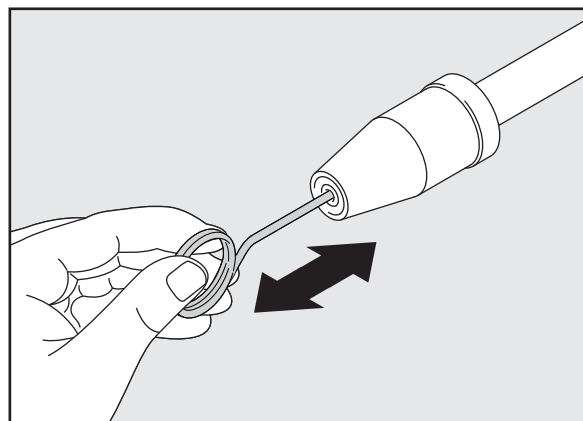
Cleaning Clear Quick Connect

- The screens inside the clear garden hose adapter should be cleaned periodically. Rinse it with clean water, and then place it back in the adapter.



Cleaning Nozzles

- A clogged or partially clogged nozzle can cause significant reduction of water pressure coming out of the nozzle and/or cause the unit to pulsate while spraying.
- Turn off the unit.
- Turn off the water supply to the unit.
- Relieve any pressure trapped in the hose by squeezing the trigger 2-3 times, and then lock the spray gun by pushing the lock button from left to right.
- Remove the lance from the spray gun
- Using the nozzle tip cleaner provided (or an unfolded paper clip), insert the wire into the nozzle hole and move back and forth until debris is dislodged.
- Tap quick connect end of lance on hard surface several times
- Back flush water through the nozzles using garden hose and highest pressure available (either standard water nozzle or use your thumb over the nozzle to create water pressure for back flush).



CARE AND MAINTENANCE

Storage

- When your pressure washing session has been completed, turn off the power switch located on the front of the power washer. Unplug the power cord from the outlet. Turn off the water supply. Pull the trigger on the spray gun 2-3 times to drain out the excess water and to release any remaining water pressure. Disconnect the garden hose adapter from the water inlet. **DO NOT** allow the power washer to run with no water flowing through it.
- Remove detergent bottle and clean completely. Residual chemical will stick to the container and can cause the detergent injector to clog and not function properly.
- Remove high pressure hose from spray gun.
- Remove lance from the gun. Place the gun in the holder on the side. Lances are placed into any of the slots in the back of the unit. Make sure to discard any remaining detergent from the bottle. Flush the bottle and nozzle head with fresh water to prevent clogging.
- Hook the power cord around the L-shaped tab on the right side of the machine when facing it.
- The pressure hose is stored on the hose hook located on the back of the handle.

PUMP SAVER

Pump Saver is a product that protects and prolongs the life of the pump. This will keep the internal parts of the pump lubricated and protected from freezing while being stored in ALL climates. It also assists with protection from internal corrosion. The Blue Clean part # is: PW64511 (16oz. bottle). Order online at www.arblueclean.com

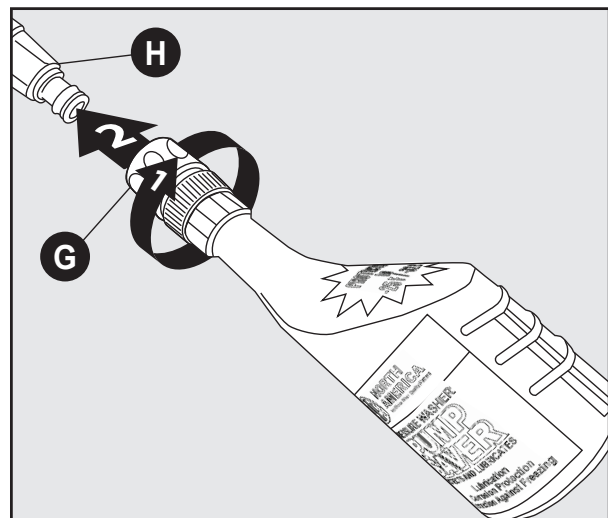
Pump Saver Instructions

Follow the previous storage instructions for your power washer. To prevent staining, protect the surface under the power washer from any excess fluid. Wear eye protection when using this product.

Turn unit off and disconnect all hoses before adding pump protector. Unscrew threaded top from bottle to remove seal and reattach threaded top to bottle. Remove black cap from bottle.

- 1) Screw garden hose adapter (G) clockwise onto threaded top of pump saver bottle.
- 2) To connect, push garden hose adapter (G) and pump saver bottle firmly into clear quick connect filter (H), previously installed to pressure washer inlet.
- 3) Turn power on. Turn the power washer off as soon as the pump saver begins to exit the pump outlet.

Note: Instructions on Pump Saver Bottle are generic and not model specific.



TROUBLESHOOTING

If you have any questions regarding the product, please call customer service at 1-866-235-5112

PROBLEM	CORRECTIVE ACTION
Unit will not turn on.	<ol style="list-style-type: none"> 1. The GFCI module on the end of the power cord must be plugged directly into an outlet. 2. Do not use an extension cord. 3. With the GFCI Connected make sure the power switch is turned on. <p>Note: When power switch is turned on, the power washer will turn on by itself for 1-2 seconds and shut off. This is normal.</p>
The high pressure (HP) hose will not connect/stay connected to the spray gun. Is this a spray gun problem?	<ol style="list-style-type: none"> 1. In most cases, the spray gun is not the problem. The problem is the rubber sleeve covering the fitting at the end of the high pressure hose. It has likely slipped up toward the metal tip. To fix: wiggle, twist and/or pull the rubber sleeve down until the entire tip is visible plus an 1/8 in. of the metal fitting below the tip. Now try to insert the hose tip into the spray gun. It should “click” into place and will not come out until the hose is released by pushing in the lever on the underside of the gun. You may cut away the end of the sleeve with a sharp knife if unable to move the sleeve down. Be careful not to cut or puncture the hose. 2. Do not push in the release button when connecting the high pressure hose.
The unit is running but there is no water flow.	<ol style="list-style-type: none"> 1. Check the water source. Unclog the nozzle on the lance. (See nozzle cleaning instructions under “Cleaning nozzles”.) Or take off the lance and just spray out of the spray gun. This will indicate if the problem is with the lance. 2. Reconnect the QC Garden Hose Adapter to the clear quick connect.
Why is water leaking where the high pressure hose connects to the spray gun?	<ol style="list-style-type: none"> 1. Make sure there is an o-ring at the end of the metal tip of the high pressure hose. If no o-ring is present, the connection between the hose and spray gun will leak. O-Ring Kits are available online at www.arblueclean.com or call Customer Service at 1-866-235-5112 to place an order.
I can't remove the lance from the spray gun. What should I do?	<ol style="list-style-type: none"> 1. All lances and the detergent bottles are attached and removed from the extension lance in the same manner. Insert the quick-release end of the lance/detergent bottle into the extension lance. Press the extension lance and lance together (about a 1/8”) and turn clockwise. The lance will lock in place. Remove the lance by reversing this procedure. Press the extension lance and lance together and turn counter clockwise. The lance will slide out. 2. Or, hold the extension lance and lance in an upright position with the nozzle end on the floor. Push the whole assembly straight down to loosen the connection, and then follow the removal process again. You may also spray soapy water or a lubricant in the area where the lance connects to the extension lance.

TROUBLESHOOTING

PROBLEM	CORRECTIVE ACTION
The power washer turns on for 2 seconds, shuts off, and will not turn back on. Do I have a defective unit?	<ol style="list-style-type: none">1. It sounds like your power washer is working just fine. When the water is connected, the accessories are assembled properly, and the power switch is turned on, the power washer may turn on for 1 - 2 seconds to prime the pump. It automatically shuts off and waits for the spray gun trigger to be pressed. When the trigger is pressed, water starts flowing through the pump. The water sensor in the pump “senses” the moving water and automatically turns the power washer on.2. Turn the power switch to off, hold in the trigger on the spray gun, so that you have a steady stream of water. While you are holding the trigger open on the spray gun, at the same time, turn the power switch on.

LIMITED WARRANTY

This product is under warranty to the original retail consumer against defects in material and workmanship for a period of 1 (one) year and is a complete “bumper to bumper” warranty including the spray gun, the high pressure hose and all accessories from the date of purchase. The warranty is not transferable or assignable. This warranty covers replacement parts. This limited one year warranty applies only to products used in consumer applications and is void in rental or any commercial application. Reasonable care must be used in conformity with operation and maintenance instructions in the owner’s manual and quick start guide. Failure to follow these instructions will void this warranty. This warranty gives you specific legal rights and you may also have other rights which vary from state to state.

Warranty Process

Keep your original receipt of purchase in case of warranty claim.

If your power washer develops a problem, contact Customer Service:

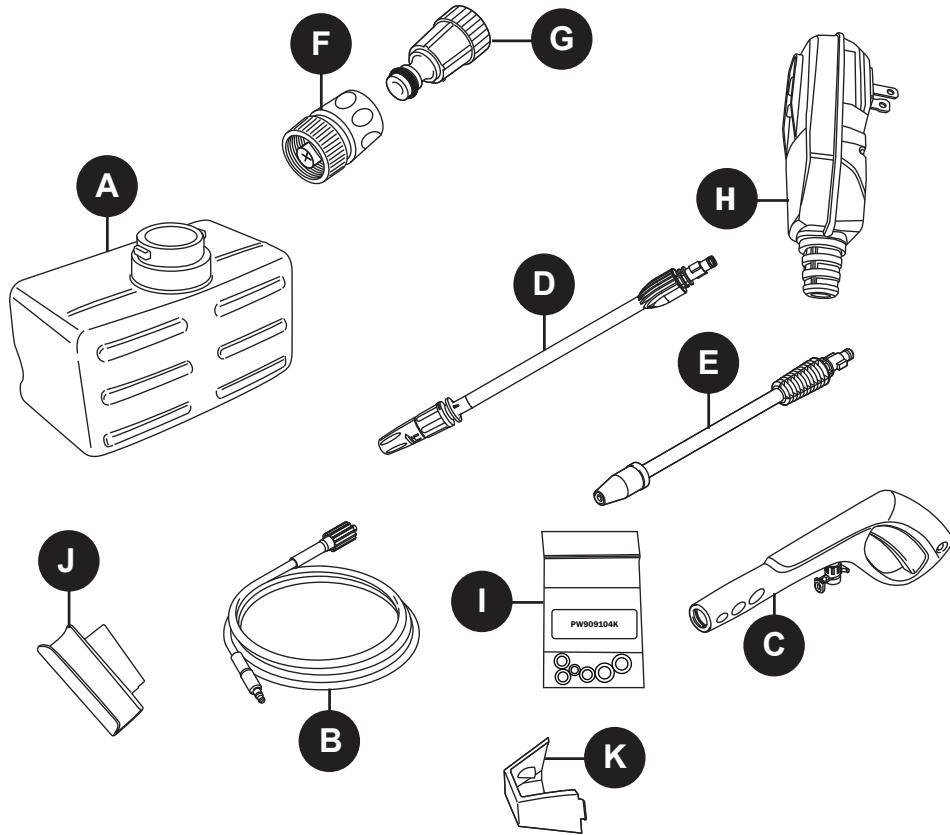
- Call our toll-free number at 1-866-235-5112. Customer Service is available Monday - Friday 8:00 a.m. to 5:00 p.m. Central Standard Time (CST). The Customer Service person will work with you to fix the problem.

If the power washer needs to be returned for repair, shipping costs to the company must be paid by the customer. A **Return Merchandise Authorization (RMA) Number** will be issued for the return. Upon receiving the power washer, the company will repair or replace the unit. We will send unit back to customer at no charge.

Please note: Power washers sent to the company **without an RMA Number will NOT be accepted** and shipped back at the expense of the sender.

REPLACEMENT PARTS LIST

For replacement parts, call our customer service department at 1-866-235-5112, 8 a.m. - 5:00 p.m., CST, Monday - Friday or order online at www.arblueclean.com



PART	DESCRIPTION	PART #
A	Detergent Tank (28 oz.)	PW4220020
B	Hose	PW4220740
C	Spray Gun	PW50968
D	High/Low Lance Nozzle	PW4220010
E	Turbo Lance Nozzle	PW50976
F	QC Garden Hose Adapter	PW3082731

PART	DESCRIPTION	PART #
G	Clear Quick Connect Filter	PW3082130
H	GFCI Assembly	PW4221160
I	O-Ring Kit	PW909104K
J	Gun Holster	PW4220040
K	Nozzle Tray	PW4220050

Printed in China

1700 PSI



BLUE[®]
CLEAN

LAVEUSE À PRESSION ÉLECTRIQUE



GUIDE D'ASSEMBLAGE, D'ENTRETIEN ET D'UTILISATION Modèle AR 240 S

Lire attentivement

**IMPORTANT : CONSERVER CE GUIDE ET
INSÉRER LA FACTURE DANS LE GUIDE POUR
RÉFÉRENCE ULTÉRIEURE.**

Questions, problèmes, pièces manquantes?

Avant de retourner l'appareil chez le marchand, communiquez avec le service à la clientèle au 1 866 235-5112, de 8 h à 17 h, HNC, du lundi au vendredi.
www.arblueclean.com

92727-LQ

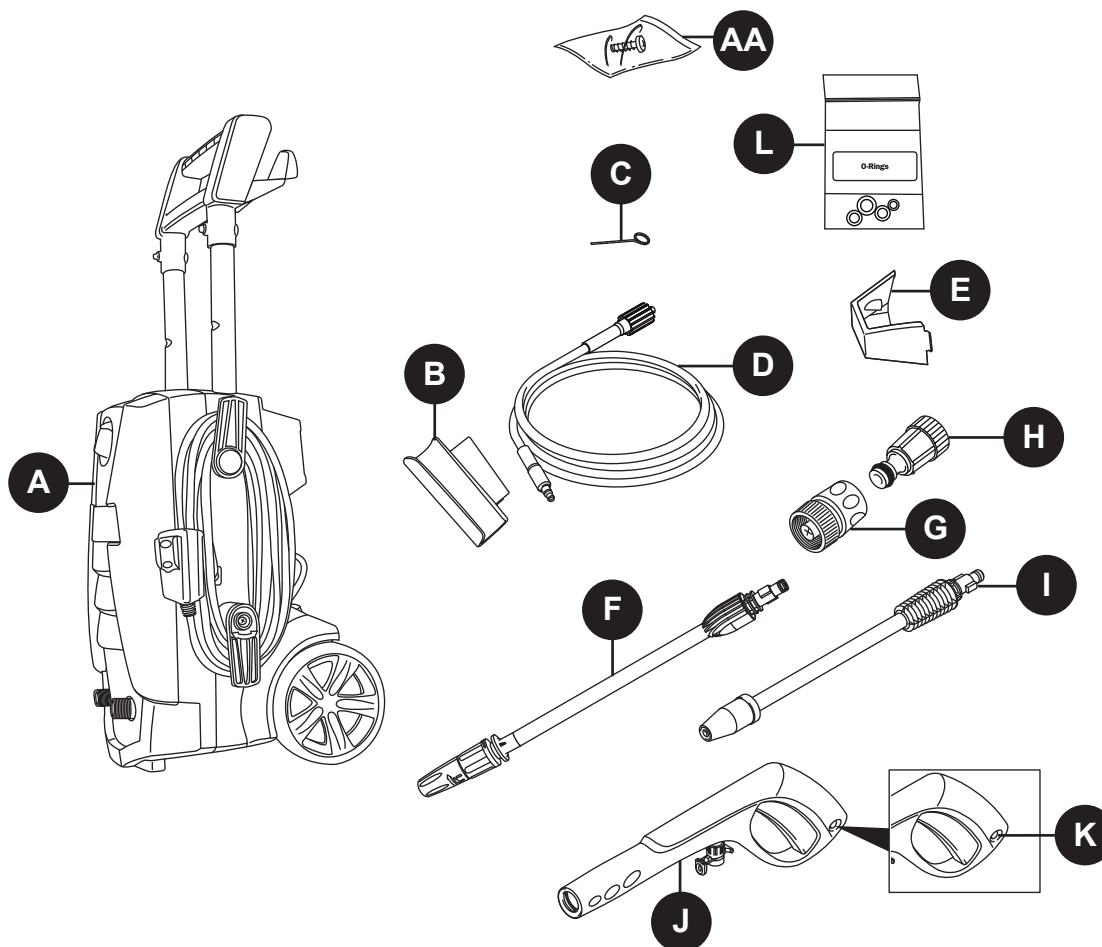
TABLE DES MATIÈRES

Spécifications du produit.....	20
Contenu de l'emballage.....	21
Matériel inclus.....	21
Consignes de sécurité	22
Instructions d'assemblage	24
Mode d'emploi	28
Entretien et maintenance.....	32
Protecteur de pompe	33
Dépannage.....	34
Garantie limitée.....	35
Liste des pièces de rechange.....	36

SPÉCIFICATIONS DU PRODUIT

SPÉCIFICATIONS						
Modèle	PSI nominale (k/cm ²) (lb/po ²)	Débit maximum (Litre/min) (Gal./min)	Eau froide	Volts	A	Poids (kg) (lb)
AR 240 S	4 975 (1 700)	5,3 (1,4)	✓	120	13	10,89 (24)

CONTENU DE L'EMBALLAGE



PIÈCE	DESCRIPTION	QUANTITÉ
A	Laveuse à pression	1
B	Étui à pistolet pulvérisateur	1
C	Tige de nettoyage de la buse	1
D	Tuyau à haute pression	1
E	Bac à buse	1
F	Lance d'arrosage à HP et BP	1
G	Adaptateur de tuyau d'arrosage rapide	1

PIÈCE	DESCRIPTION	QUANTITÉ
H	Raccord rapide transparent avec filtre	1
I	Lance d'arrosage turbo	1
J	Pistolet pulvérisateur	1
K	Verrou de la gâchette de pistolet pulvérisateur	1
L	Ensemble de joints toriques	1
AA	Vis	1

MATÉRIEL INCLUS

AA



Vis
Qté 1

Remarque : Les vis se trouvent dans l'emballage du manuel

CONSIGNES DE SÉCURITÉ

Assurez-vous de lire et de comprendre l'intégralité du présent manuel avant de tenter d'assembler, d'utiliser ou d'installer le produit.

Le présent manuel contient des informations concernant la PROTECTION DE LA SÉCURITÉ PERSONNELLE et la PRÉVENTION DE PROBLÈMES D'ÉQUIPEMENT Il est important de lire et de comprendre l'intégralité du manuel avant d'utiliser le produit. Les symboles apparaissant ci-dessous sont utilisés pour indiquer ces informations.



DANGER

Risque potentiel ayant pour conséquence **des blessures graves ou la mort.**



AVERTISSEMENT

Risque potentiel pouvant causer **des blessures graves ou la mort.**



ATTENTION

Risque potentiel pouvant causer **des blessures ou des dommages à l'équipement.**

Remarque : Le mot « Remarque » est utilisé pour informer l'utilisateur d'un renseignement important concernant l'utilisation de l'appareil.



AVERTISSEMENT

Pour réduire le risque de blessure, l'utilisateur doit lire et comprendre les instructions avant d'utiliser ce produit.

1. Avertissement — Certaines précautions de base doivent être toujours suivies lors de l'utilisation de l'appareil, y compris :
2. Lire les instructions avant d'utiliser l'appareil.
3. Savoir comment arrêter l'appareil et le dépressuriser rapidement. Connaître le fonctionnement de chaque bouton de commande.
4. Définir un périmètre de sécurité.
5. Ne pas s'étirer trop loin ou prendre place sur un support instable. Toujours garder une position stable et sûre.
6. Suivre les directives d'entretien décrites dans le manuel.
7. Pour éviter des blessures ou des dommages matériels et pour profiter au maximum de l'appareil, suivre les conseils de sécurité, instructions, avertissements et recommandations et se familiariser avec les commandes.
8. Cette laveuse à pression est conforme aux normes de la CSA et à d'autres normes de sécurité. **NE PAS** modifier ni reconditionner les pièces de cette laveuse à pression.
9. **NE PAS** utiliser cette laveuse à pression si vous êtes sous l'influence d'alcool ou de drogue. Utiliser cet appareil avec prudence et uniquement lorsque vous êtes alerte.

10. Toujours garder une position stable et sûre pendant l'utilisation de la laveuse à pression. Les surfaces mouillées sont glissantes et l'utilisation de détergent les rend encore plus dangereuses.
11. **NE JAMAIS** utiliser la laveuse à pression les pieds nus, en sandales ou avec des chaussures ouvertes.
12. Lorsque des enfants sont présents autour de la zone d'utilisation de la laveuse à pression, un adulte doit assurer la surveillance pour éviter le risque de blessures. **NE JAMAIS** permettre à un enfant d'utiliser la laveuse à pression.
13. Tenir les doigts, les mains, les pieds et toutes les parties du corps loin du jet d'eau à haute pression. Le jet d'eau à haute pression peut causer la cécité ou déchirer la peau. Il peut fracasser une vitre si la buse est trop proche de la fenêtre lorsqu'on appuie sur la gâchette du pistolet pulvérisateur.
14. Afin de prévenir les blessures aux yeux, **PORTER** toujours des lunettes de sécurité pendant l'utilisation de la laveuse à pression.
15. Pour éviter les accidents ou les blessures, **VERROUILLER** toujours la gâchette à l'aide du bouton de sûreté lorsque la laveuse à pression n'est pas en service, même si le jet a été arrêté temporairement.
16. La laveuse à pression est équipée d'un disjoncteur de fuite de terre afin de réduire le risque de décharge électrique pendant l'utilisation de l'appareil. S'il est nécessaire de remplacer la fiche ou le cordon d'alimentation, utiliser uniquement une pièce de remplacement identique.
17. Pointer le pistolet pulvérisateur vers une direction sécuritaire avant de commencer une séance de lavage.
18. **NE JAMAIS** utiliser le pistolet pulvérisateur pour arroser une personne, un animal, un appareil électrique ou la laveuse à pression.
19. À la première utilisation du pistolet pulvérisateur, tenir le pistolet et la lance à deux mains (une main pour appuyer sur la gâchette et l'autre pour stabiliser le pistolet et la lance) de manière à évaluer l'effet de rebond du pistolet pulvérisateur.
20. Lorsque l'alimentation électrique de la laveuse à pression est coupée, de l'eau sous pression demeure dans l'appareil. Pour relâcher la pression, pointer le pistolet pulvérisateur dans une direction sécuritaire et appuyer sur la gâchette.
21. **NE JAMAIS** pulvériser de liquide inflammable.
22. **NE JAMAIS** utiliser la laveuse à pression dans un espace rempli de poussières, de liquide ou de vapeurs combustibles.
23. Éviter tout contact entre le tuyau à HP et des objets tranchants et vérifier le tuyau régulièrement. Remplacer le tuyau s'il est endommagé. Puisque c'est un tuyau à haute pression, il ne peut pas à être réparé.
24. Utiliser uniquement un détergent spécialement conçu pour les laveuses à pression et suivre les instructions sur l'étiquette de la bouteille de détergent.
25. Utiliser des équipements de protection qui protégeront

CONSIGNES DE SÉCURITÉ

les yeux, les poumons et la peau contre l'exposition au détergent. Le savon à vaisselle et les détergents à lessive sont trop épais et boucheront la buse de la bouteille à détergent.

IMPORTANT : Lorsque la température extérieure est sous zéro, entreposer la laveuse à pression à l'intérieur pour éviter que l'eau dans l'appareil gèle. Le fait que l'eau gèle et augmente de volume aura pour effet d'endommager l'appareil et de le rendre inutilisable. Si l'appareil doit être entreposé à l'extérieur, il est recommandé d'utiliser un protecteur de pompe (non compris) pour protéger la pompe.

26. **NE JAMAIS** utiliser d'eau chaude dans la laveuse à pression. Cela aura pour effet de surchauffer la pompe à haute pression et de l'endommager.
27. **NE JAMAIS** laisser la laveuse à pression sans surveillance lorsque l'interrupteur est à la position « ON » (marche).
28. **TOUJOURS** ouvrir l'alimentation en eau avant de placer l'interrupteur électrique à la position « ON » (marche). Le fait de faire fonctionner la pompe à sec pourrait endommager ses composants internes.
29. **NE JAMAIS** utiliser une source d'alimentation en eau ayant une pression supérieure à 150 PSI.

30. **NE JAMAIS** débrancher le tuyau à haute pression de la laveuse à pression pendant que le système est sous pression.
31. **NE JAMAIS** bloquer la gâchette en position ouverte de manière permanente.
32. **NE JAMAIS** faire fonctionner la laveuse à pression si tous les composants ne sont pas branchés correctement et de manière sécuritaire.
33. **NE JAMAIS** laisser fonctionner la pompe de la laveuse à pression plus d'une minute après que l'alimentation en eau ait été coupée. Cela pourrait occasionner la surchauffe du moteur et de la pompe et causer une défaillance.
34. **NE JAMAIS** utiliser une lance ou un autre composant qui n'est pas compatible avec ce modèle d'appareil AR Blue Clean.
35. **NE JAMAIS** brancher une rallonge au cordon d'alimentation de l'appareil. Cela compromettrait l'efficacité du disjoncteur de fuite de terre et augmenterait le risque d'électrocution de l'utilisateur.
36. **NE JAMAIS** arroser une prise électrique avec le jet du pistolet pulvérisateur.
37. Inspecter le cordon d'alimentation avant d'utiliser l'appareil. **NE PAS** utiliser l'appareil si le cordon d'alimentation est endommagé.

CONSERVER CES INSTRUCTIONS POUR RÉFÉRENCE ULTÉRIEURE.

Entretien d'un appareil à double isolation

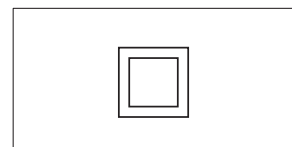
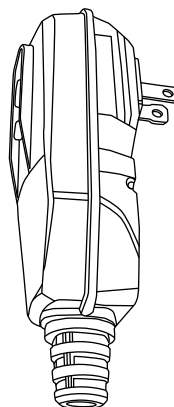
Protection par un disjoncteur de fuite de terre :

cette laveuse à pression est protégée par un disjoncteur de fuite de terre intégré dans la fiche du cordon d'alimentation. Ce dispositif fournit une protection additionnelle contre le risque de décharge électrique. S'il est nécessaire de remplacer la fiche ou le cordon d'alimentation, utilisez uniquement une pièce de remplacement identique comprenant un disjoncteur de fuite de terre.

Les appareils à double isolation comprennent deux dispositifs d'isolation à la place d'une prise de terre. Les appareils à double isolation ne sont pas équipés d'un dispositif de mise à la terre et ce type de dispositif ne devrait pas être raccordé au produit. L'entretien d'un appareil à double isolation nécessite une attention et un savoir-faire particuliers et doit être confié à un technicien qualifié.

Les pièces de rechange d'un appareil à double isolation doivent être identiques à l'original.

Les produits à double isolation portent la marque « Double Insulation » ou « Double Insulated ». Certains produits peuvent également être marqués du symbole illustré ci-dessous.



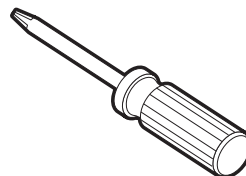
Double Insolated Product

PRÉPARATION

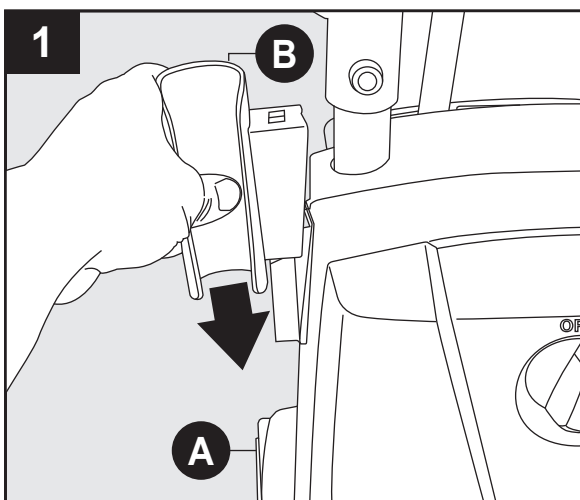
Avant de commencer l'assemblage de l'appareil, assurez-vous que toutes les pièces sont dans l'emballage. Comparez les pièces à la liste des pièces et du matériel. Dans le cas où une pièce est manquante ou endommagée, **N'ESSAYEZ PAS** d'assembler l'appareil.

Temps d'assemblage approximatif : 5 minutes

Outil nécessaire pour l'assemblage (non compris) :
Tournevis cruciforme



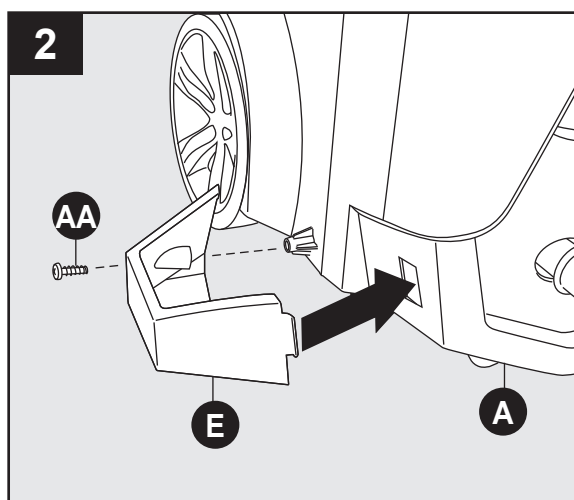
INSTRUCTIONS D'ASSEMBLAGE



Assemblage de l'appareil

Placez l'appareil face contre vous, puis faites glisser l'étui à pistolet (B) sur le côté gauche de l'appareil (A) tel qu'illustré.

Remarque : Lorsque le pistolet et la lance sont assemblés, la buse reste dans son réceptacle.



Placez l'appareil face contre vous (A). À la base de l'appareil, côté gauche, insérez la languette du bac à buse (E) dans l'ouverture. Fixez à l'aide de la vis (AA).

Remarque : N'UTILISEZ PAS un tournevis mécanique. Une fois la vis complètement serrée, vissez-la encore de quelques degrés dans le sens horaire.
NE SERREZ PAS à l'excès.

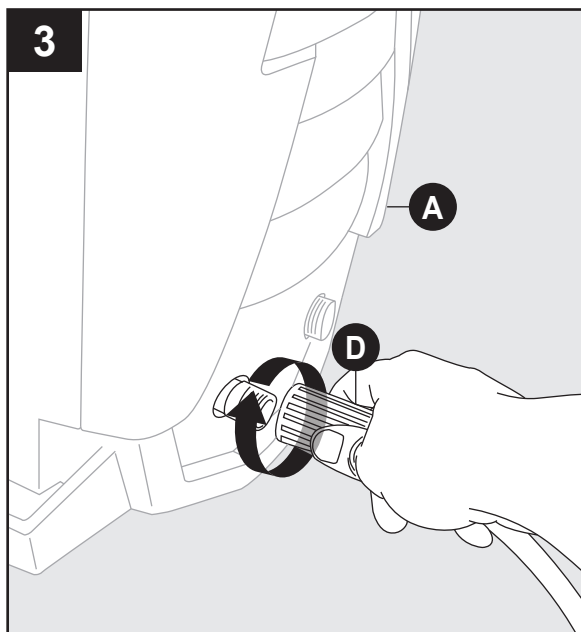
Matériel utilisé :



Vis



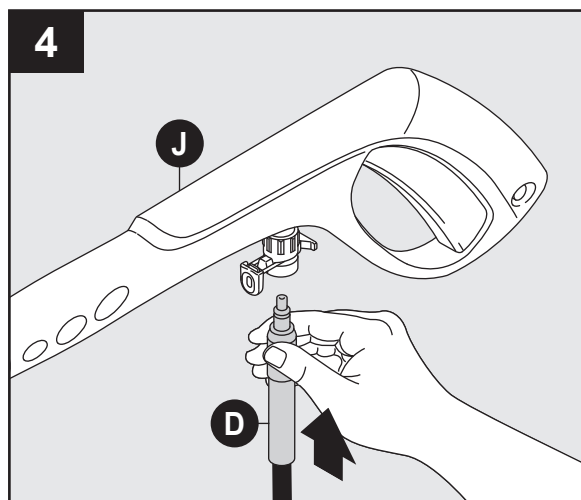
x 1



Assemblage du tuyau à haute pression

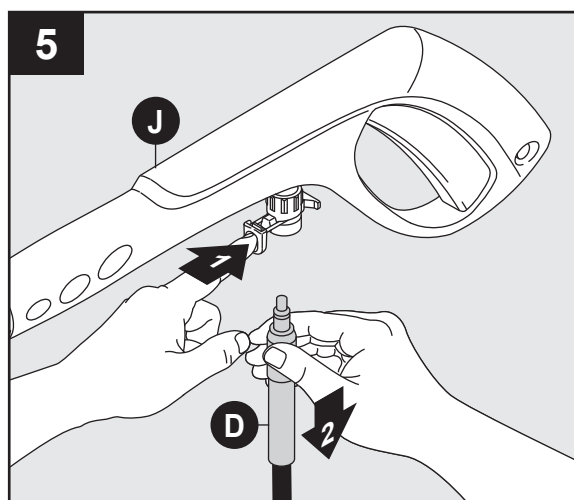
Vissez le tuyau à haute pression (D) dans le sens horaire sur le raccord situé à la base, sur la face avant (A) de l'appareil. Retirez le collier vers l'arrière et insérez l'embout dans la sortie d'alimentation en eau suffisamment profondément de sorte que le collier puisse être vissé sur le filet et serré à la main. S'il faut faire moins de six tours, alors le raccord du tuyau à haute pression n'est pas correctement serré. Il est plus facile d'engager le collier sur le filet si la laveuse à pression est positionnée directement devant soi. Le fait de ne pas serrer correctement le tuyau à haute pression aura pour effet de déconnecter le tuyau dès que l'appareil sera mis en marche. Une telle situation n'endommagera pas l'appareil. Reconnectez simplement le tuyau et assurez-vous de le serrer correctement sur le raccord de l'appareil.

Remarque : NE SERREZ PAS avec une pince ou une pince-étau.



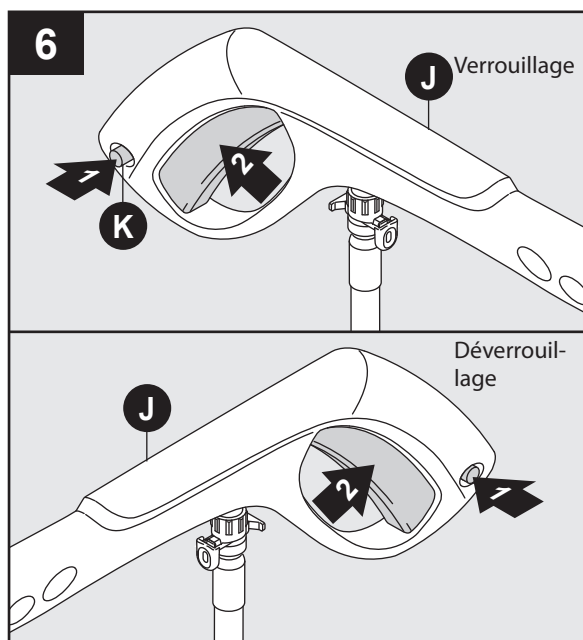
Branchez l'autre extrémité du tuyau à haute pression (D) au pistolet pulvérisateur (J). Pour ce faire, insérez l'embout métallique en laiton du tuyau dans le raccord situé devant la gâchette. Un clic se fera entendre indiquant le verrouillage des deux composants. Assurez-vous que le tuyau est bien verrouillé dans le pistolet pulvérisateur en tirant légèrement dessus. Le tuyau est maintenant fixé sécuritairement dans le pistolet pulvérisateur.

Remarque : N'APPUYEZ PAS sur le bouton du raccord au moment d'insérer le tuyau dans le pistolet.



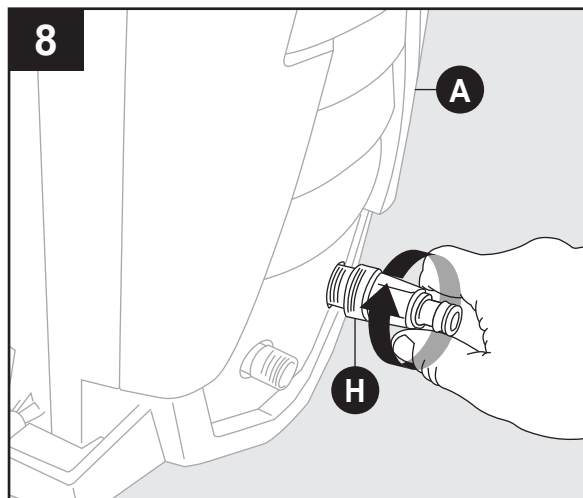
Pour retirer le tuyau (D) du pistolet pulvérisateur (J), poussez le bouton du raccord vers la gâchette. Le tuyau se séparera du raccord.

INSTRUCTIONS D'ASSEMBLAGE



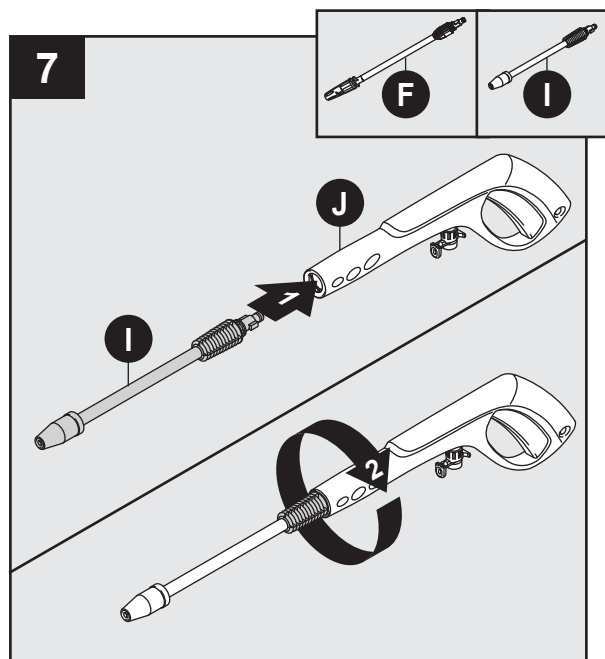
Verrouillage du pistolet pulvérisateur (avant l'installation de la lance).

Pour verrouiller la gâchette du pistolet pulvérisateur (J), pointez le pistolet loin de vous et déplacez le bouton de sûreté de gauche à droite. Ensuite, appuyez sur la gâchette pour vous assurer que le tuyau est bien verrouillé en place et qu'il ne bougera pas. Toujours mettre le bouton de sûreté en position de verrouillage lorsque le pistolet n'est pas utilisé. Cette procédure vise à s'assurer que le pistolet est sécuritaire lorsqu'il n'est pas utilisé.



Installation de l'adaptateur de tuyau d'arrosage

Retirez le protecteur de plastique couvrant l'embout d'alimentation en eau situé à droite, à l'avant de l'appareil (A). Installez le raccord rapide transparent (H) sur l'embout d'alimentation en eau et serrez à la main dans le sens horaire.



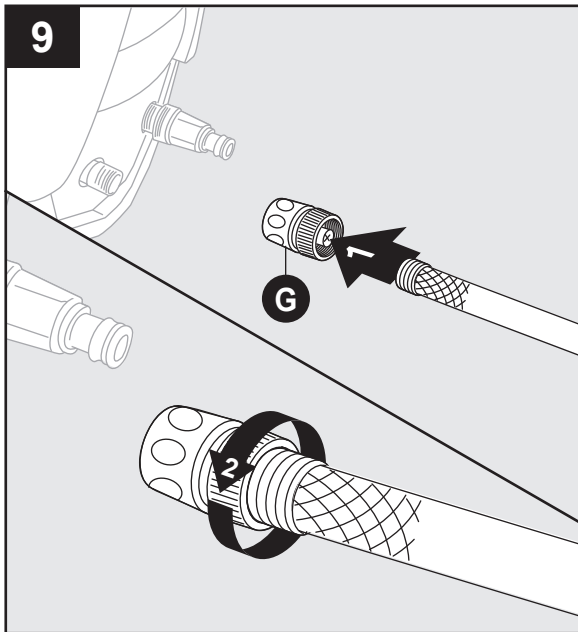
Installation de la lance à buse HP et BP et de la lance à buse Turbo

Alors que le pistolet pulvérisateur (J) est verrouillé, insérez la lance haute ou basse pression (F) ou la lance turbo (I) dans le pistolet, puis poussez et tournez dans le sens horaire. Pour retirer, poussez en tournant dans le sens anti-horaire.

Remarque : Poussez toujours le bouton de verrouillage de sécurité pour verrouiller la gâchette r lorsque vous changez de lance afin de ne pas risquer d'éjecter accidentellement la lance durant le démontage.

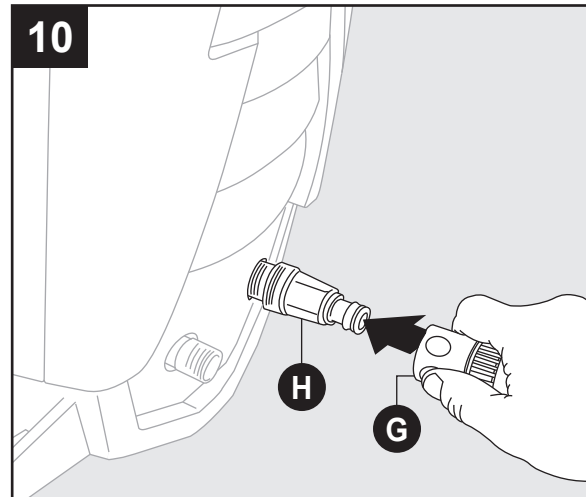
Remarque : Lorsque vous utilisez la lance turbo, assurez-vous que la buse turbo est bien vissée à l'extrémité de la lance avant de l'utiliser.

INSTRUCTIONS D'ASSEMBLAGE



Reliez un tuyau d'arrosage à l'adaptateur rapide de tuyau d'arrosage (G).

Remarque : Rincez le tuyau d'arrosage avant de le raccorder à l'adaptateur rapide pour tuyau d'arrosage.

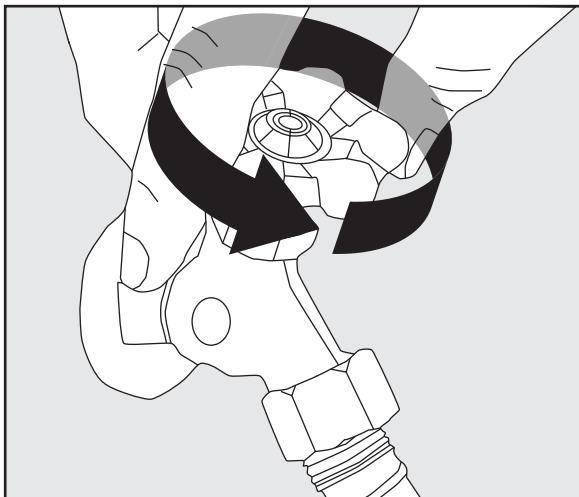


Enfoncez le raccord rapide du tuyau d'arrosage (G) sur le raccord rapide transparent (H). Un clic se fait entendre indiquant qu'ils sont en place. Ne tirez pas vers l'arrière la bague bleue du raccord rapide (G) lorsque vous l'enfoncez sur le raccord rapide transparent (H). L'eau est à présent raccordée à la laveuse à pression.

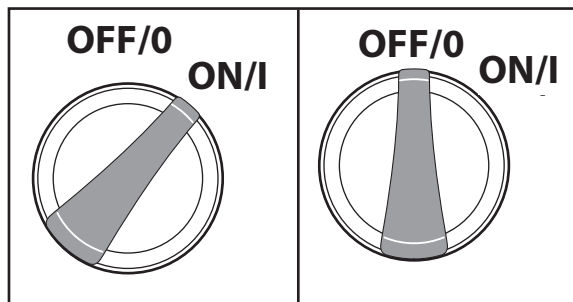
Remarque : Pour débrancher le tuyau d'arrosage, tirez la bague bleue vers l'arrière. Le tuyau se séparera du raccord rapide transparent. Cette opération peut être effectuée en tout temps. La bague bleue est munie d'un clapet antiretour qui bloque l'écoulement de l'eau provenant du tuyau d'arrosage. L'eau ne s'écoulera du tuyau d'arrosage que si elle est connectée au raccord rapide transparent.

Le montage de la laveuse à pression est maintenant terminé et l'appareil peut maintenant être utilisé. Assurez-vous de lire et d'observer toutes les directives de sécurité.

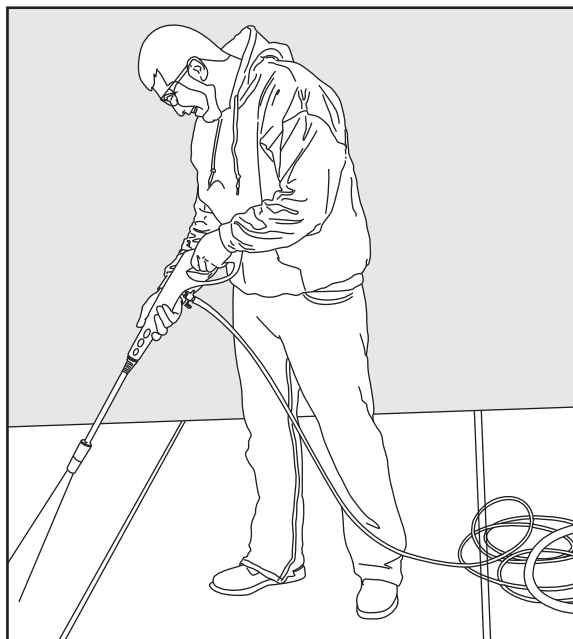
MODE D'EMPLOI



- Ouvrez complètement le robinet d'alimentation en eau.
- Assurez-vous que l'interrupteur « ON/OFF » (marche/arrêt) est à la position « OFF » (arrêt). L'interrupteur est marqué des symboles internationaux « on » et « off ». On (I) Off (O).
- Déroulez complètement le cordon d'alimentation et branchez le disjoncteur de fuite de terre dans une prise 120 V reliée à la terre.
- Relâchez le bouton de sûreté de la gâchette et remettez-le en place. Pointez le pistolet dans une direction sécuritaire, puis appuyez sur la gâchette du pistolet jusqu'à ce que l'eau s'écoule en continu après avoir purgé l'eau et l'air emprisonnés dans le tuyau d'arrosage. Poussez le verrou de la gâchette pour le verrouiller.



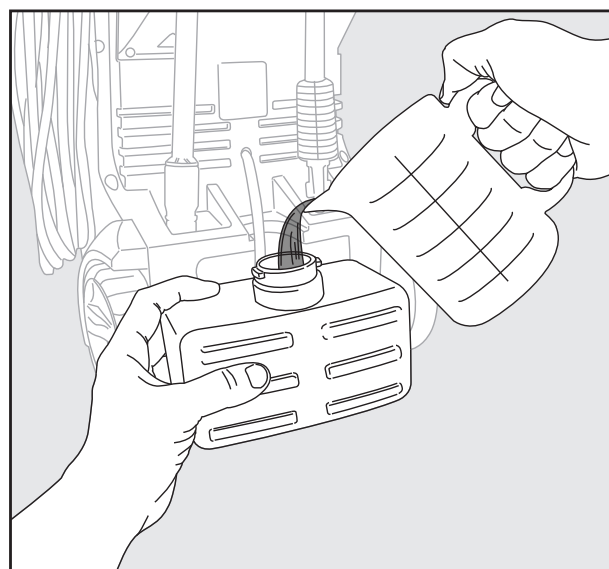
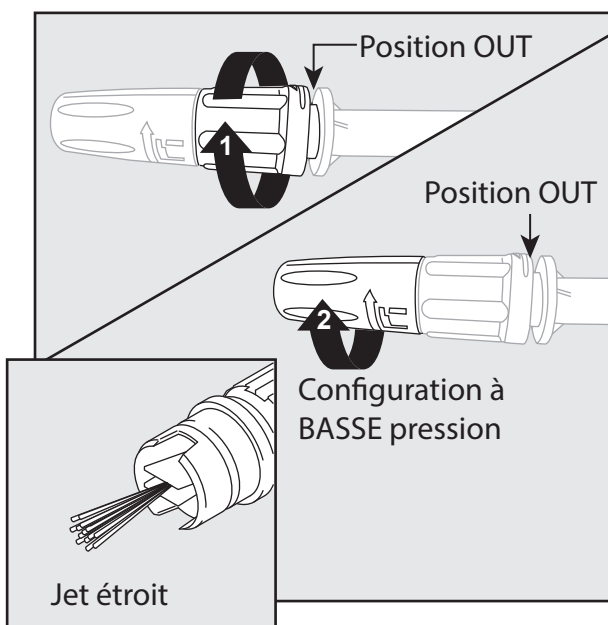
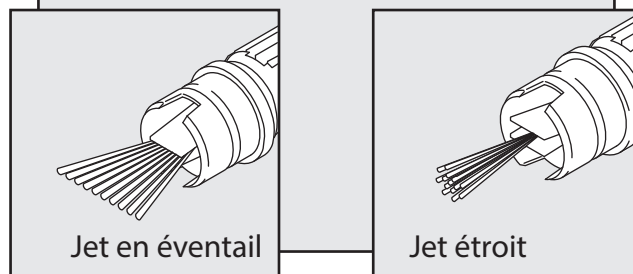
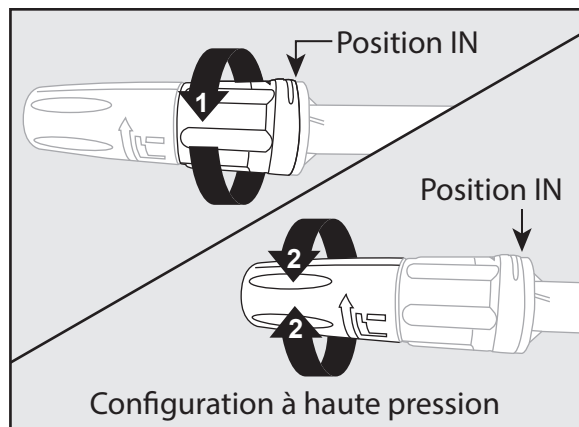
- Placez l'interrupteur à la position « ON » (I). L'appareil se met en marche pendant une à deux secondes et s'arrête. Il s'agit du fonctionnement normal du mode de mise en marche automatique. Appuyez sur la gâchette du pistolet pulvérisateur pour commencer le lavage à pression.
- Enfoncez complètement la gâchette jusqu'à la poignée pour commencer le lavage à pression.
- Relâchez la gâchette pour arrêter le lavage à pression.
- Laissez le moteur s'arrêter complètement avant d'appuyer de nouveau sur la gâchette.
- Le fait de serrer la gâchette trop rapidement nuit au bon fonctionnement de la fonction de démarrage automatique qui pourrait sauter un cycle marche/arrêt. Cette situation pourrait retarder la reprise automatique du moteur. Le fait d'appuyer lentement sur la gâchette permet d'éviter ces symptômes.



- **Faites toujours un essai** sur une petite surface pour éviter tout risque d'endommagement.

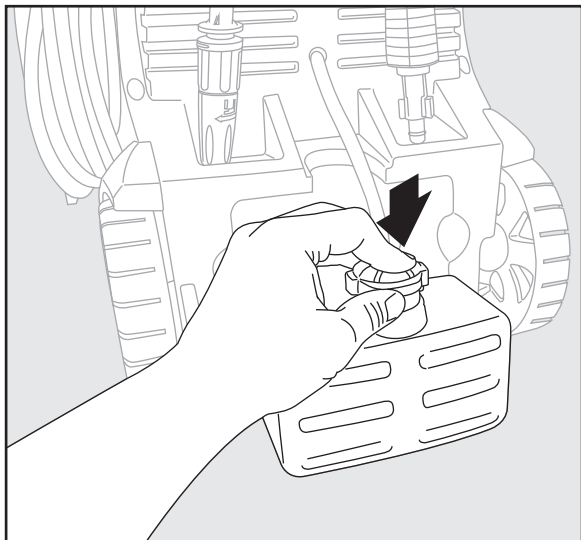
Utilisation des buses HP et BP

- Le pulvérisateur haute pression est utilisé pour le nettoyage, tandis que le pulvérisateur basse pression active la fonction de détergent.
- La buse de pulvérisation réglable possède deux (2) positions :
 - ON – Position fermée pour le jet haute pression. Tournez-la dans le sens anti-horaire jusqu'à ce qu'elle s'arrête et que l'ouverture soit refermée.
 - OUT – Position ouverte pour le jet basse pression utilisant du détergent. Tournez-la dans le sens horaire jusqu'à ce qu'elle s'arrête et que l'ouverture soit ouverte.
- Lorsque vous utilisez le réglage haute pression, tournez la buse dans le sens horaire ou dans le sens anti-horaire pour obtenir le jet désiré.
- Lorsque vous utilisez le réglage basse pression, tournez la buse dans le sens horaire pour ouvrir les lames du jet en éventail complètement.



IMPORTANT : Lorsque vous appliquez le détergent avec le jet à basse pression, la buse à jet variable doit être réglée à jet étroit. À ce moment-là, les lames métalliques au devant de la buse sont grandes ouvertes afin que le jet de détergent ne soit pas restreint.

- Lorsque vous utilisez le réceptacle à détergent, remplissez-le avec un détergent ou un produit nettoyant correctement formulé conformément aux instructions indiquées sur le contenant.
- **N'UTILISEZ PAS** de détergents en gel, car ils pourraient encrasser la laveuse à pression et provoquer des dommages.



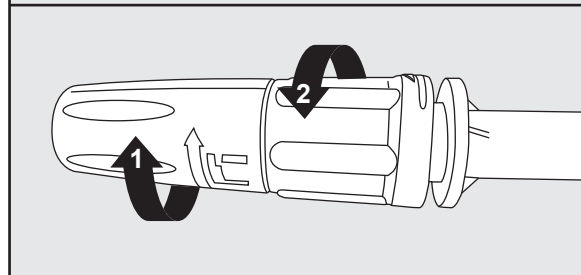
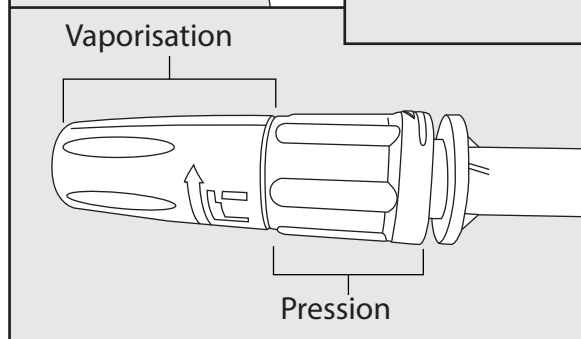
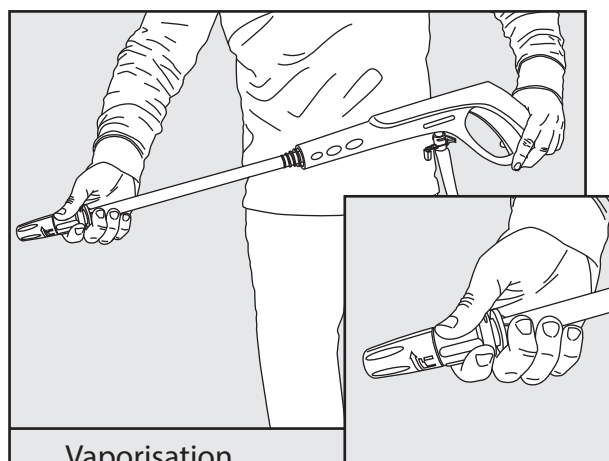
- Lorsque vous retirez le réservoir de détergent, retirez le couvercle et placez un doigt dans le réservoir pour le soulever tout en le sortant.

Conseils d'utilisation

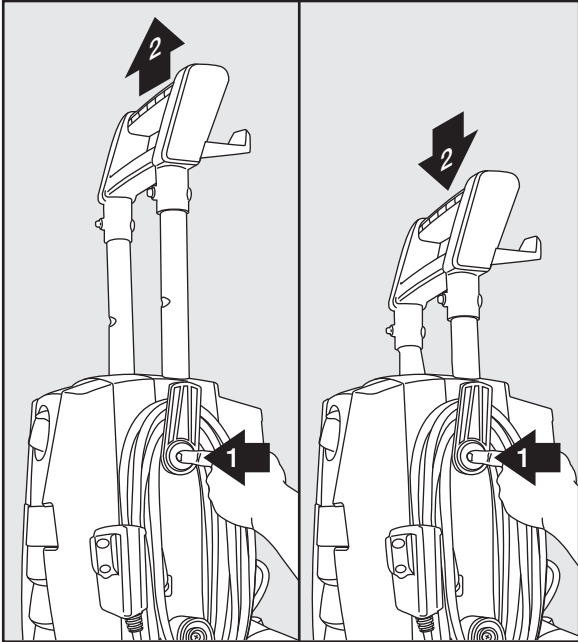
- Il est normal d'entendre le moteur tourner par intermittence, même lorsque la gâchette n'est pas enfoncée. C'est la pompe qui s'amorce pour être en mesure de fonctionner lorsqu'on appuie sur la gâchette. Éteignez la laveuse à pression si elle n'a pas été utilisée après cinq minutes.
- Le joint torique du côté baïonnette de la buse doit être nettoyé régulièrement et lubrifié avec de la graisse hydroinsoluble telle que de la gelée de pétrole.
- Gardez le fil de nettoyage de la buse bien propre en vue de l'utiliser pour désincruster la buse. Si vous perdez le fil de nettoyage, un trombone déplié peut aussi faire l'affaire.

Comment éviter d'endommager les surfaces

- Les dommages aux surfaces en cours de nettoyage se produisent parce que la force d'impact de la pression d'eau est supérieure à la résistance de la surface. Il est possible de pénétrer le bois nu, d'écailler la peinture, etc. On peut modifier la pression de l'appareil en agissant sur les éléments suivants :
 1. L'angle de la surface à nettoyer
 2. La distance entre la buse et la surface à nettoyer



- **N'UTILISEZ JAMAIS** un jet d'eau étroit à haute pression sur des surfaces lisses susceptibles de s'endommager.
- Utilisez la lance à jet haute/basse pression pour nettoyer les vitres. Veillez à régler la buse à l'option de vaporisation faible et placez-la de quatre à cinq pieds des vitres en maintenant la buse à un angle de quarante-cinq degrés. Appuyez sur la gâchette et variez le motif de vaporisation et d'angle jusqu'à obtention d'une efficacité de nettoyage optimale.

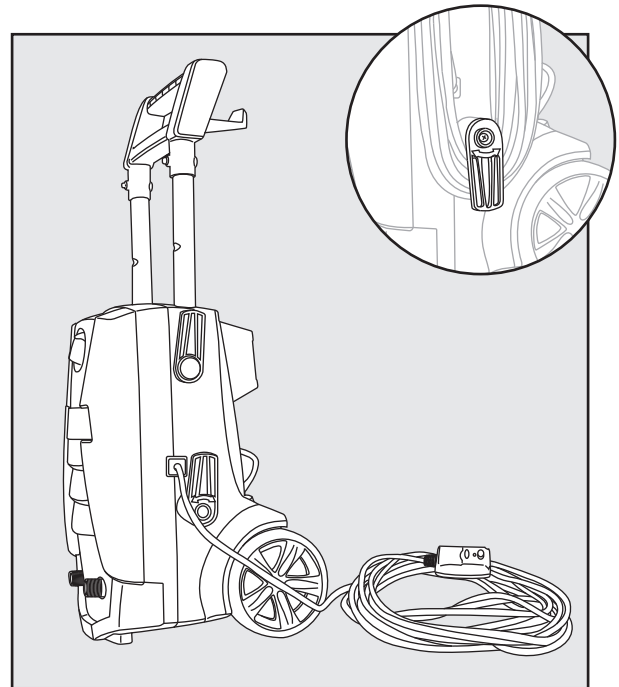


Poignée de transport rabattable

- Pour déployer la poignée de transport, il suffit d'appuyer sur le bouton bleu du crochet à tuyau et de la relever jusqu'à ce qu'elle se verrouille en place.

Remarque : Si la poignée glisse difficilement, lubrifiez-la avec de la gelée de pétrole (non comprise).

- Pour rabattre la poignée, appuyez sur le bouton au centre du crochet à tuyau supérieure et appuyez sur la poignée.



Utilisation du cordon d'alimentation

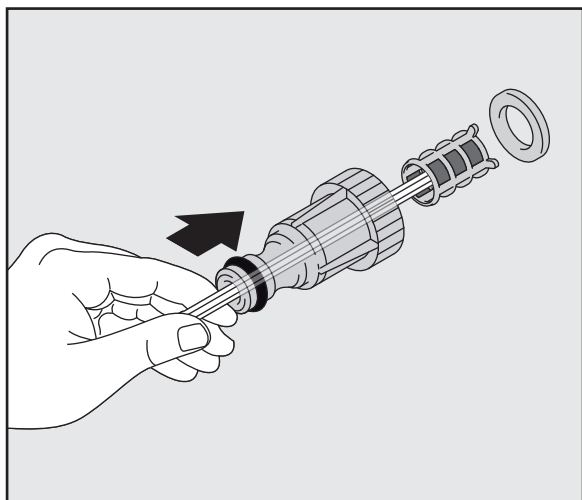
- Retirez facilement le cordon d'alimentation du côté de l'appareil en faisant pivoter le crochet bleu du cordon du bas vers la droite jusqu'à ce qu'il se trouve face vers le haut. Le cordon d'alimentation peut alors être glissé sur le côté de la laveuse à pression.
- Pivotez le crochet bleu du cordon vers le bas lorsque vous êtes prêt à enrouler le cordon pour l'entreposage.

Détergents

- Utilisez un détergent conçu pour les laveuses à pression. Vous pouvez l'acheter en ligne à l'adresse www.arblueclean.com. Les quincailleries ou centres de rénovation offrent également des détergents pour laveuse à pression adaptés à vos différents projets de nettoyage. La solution de nettoyage doit présenter la même fluidité que l'eau pour prévenir toute obstruction de la buse et de la bouteille de détergent.
- Ce système applique le détergent à basse pression. La puissance nettoyante des détergents est accrue lorsque la pression est faible, car la saleté et la crasse ont plus de temps pour se dissoudre. La combinaison de la basse pression et de l'action chimique est très efficace et peut être plus efficace que le frottage si elle est correctement appliquée. **VAPORISEZ TOUJOURS** le détergent sur une surface sèche. **NE MOUILLEZ PAS** la zone à nettoyer. Le fait de mouiller la surface dilue le détergent et réduit sa capacité de nettoyage. **NE LAISSEZ PAS** le détergent sécher sur la surface. Sur les surfaces verticales, appliquez le détergent à partir de la bases vers le haut pour empêcher la formation de dégoulinades dans la saleté. Pour la même raison, rincez le détergent avec la laveuse à pression en partant de la base.
- Si une tache est particulièrement tenace, vous devrez peut-être appliquer davantage de détergent et utiliser une brosse à soie douce pour frotter la tache. Lavez de nouveau pour compléter le travail.

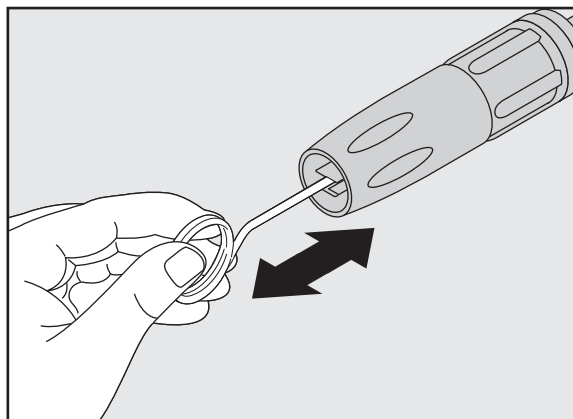
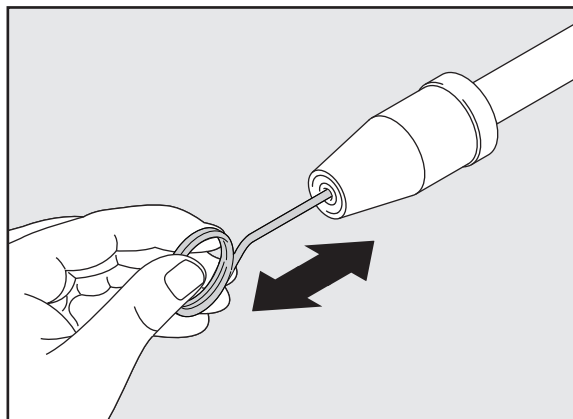
Nettoyage du raccord rapide transparent

- La crépine qui se trouve dans l'adaptateur doit être nettoyée périodiquement. Rincez-la à l'eau claire, puis replacez-la dans l'adaptateur.



Nettoyage des buses

- Une buse obstruée ou partiellement obstruée peut provoquer une importante réduction de la pression d'eau à la sortie ou provoquer des pulsations du jet sortant de l'appareil.
- Éteignez l'appareil.
- Coupez l'arrivée d'eau à l'appareil.
- Libérez la pression emprisonnée dans le tuyau. Pour ce faire, appuyez sur le déclencheur 2 ou 3 fois, puis verrouillez le pistolet pulvérisateur en poussant le bouton de blocage de la gauche vers la droite.
- Retirez la lance du pistolet pulvérisateur
- À l'aide du nettoyeur de buse (ou d'un trombone déplié), insérez le fil dans l'orifice de la buse et déplacez-le d'avant en arrière plusieurs fois jusqu'à ce que les débris soient délogés.
- Tapez plusieurs fois l'extrémité du raccord rapide de la lance sur une surface dure.
- Faites passer l'eau de rinçage dans la buse à l'aide du tuyau d'arrosage. Utilisez la pression la plus élevée possible (soit avec la buse standard ou avec votre pouce sur la buse pour créer une pression d'eau).



Entreposage

- Lorsque le lavage à pression est terminé, éteignez l'interrupteur qui se trouve à l'avant de l'appareil. Débranchez le cordon d'alimentation de la prise. Coupez l'arrivée d'eau. Tirez sur la gâchette du pistolet pulvérisateur 2 ou 3 fois pour vider l'excès d'eau et libérer toute pression résiduelle. Débranchez l'adaptateur du tuyau d'arrosage de l'embout d'admission d'eau. **NE LAISSEZ PAS** la laveuse à pression fonctionner si l'alimentation en eau n'est pas ouverte.
- Retirez la bouteille de détergent et nettoyez-la à fond. Les résidus chimiques collent au contenant et peuvent obstruer l'injecteur de détergent et l'empêcher de fonctionner correctement.
- Retirez le flexible à haute pression du pistolet pulvérisateur.
- Retirez la lance du pistolet. Placez le pistolet dans le support latéral. Placez les lances dans l'un ou l'autre des réceptacles qui se trouvent à l'arrière de l'appareil. Assurez-vous de vider le détergent en excès dans la bouteille. Rincez la bouteille et la buse à l'eau claire pour prévenir toute obstruction.
- Accrochez le cordon d'alimentation autour des languettes en forme de L qui se trouvent du côté droit de l'appareil lorsque vous y faites face.
- Le tuyau de pression est entreposé sur le crochet à tuyau, à l'arrière de la poignée.

PROTECTEUR DE POMPE

Le protecteur de pompe est un produit qui protège et prolonge la vie de la pompe. Les pièces internes de la pompe resteront ainsi lubrifiées et protégées du gel lors de leur entreposage, peu importe le climat. Il aide également à protéger l'appareil de la corrosion interne. Le numéro de pièce Blue Clean est le : PW64511 (bouteille 16 oz). Commandez en ligne à l'adresse www.arblueclean.com

Instructions relatives au protecteur de pompe

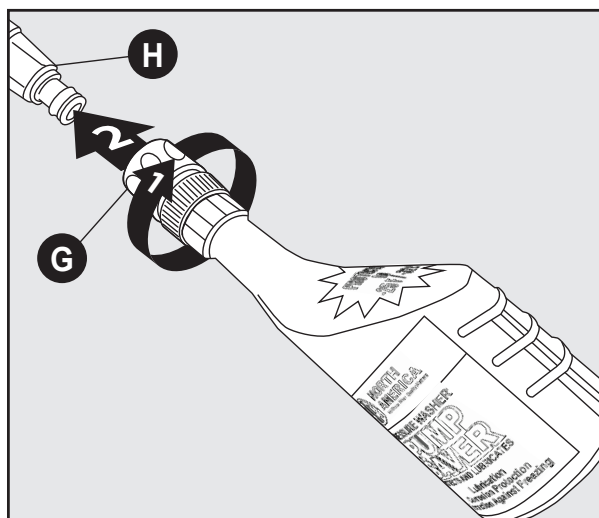
Suivez les instructions d'entreposage de la laveuse à pression. Pour prévenir les taches, protégez la surface qui se trouve sous la laveuse à pression de tout excès de liquide. Portez une protection oculaire lorsque vous utilisez ce produit.

Éteignez l'appareil et débranchez tous les tuyaux avant d'ajouter le protecteur de pompe. Dévissez le goulot fileté de la bouteille pour retirer le joint d'étanchéité et fixez-le de nouveau à la bouteille.

Retirez le capuchon noir de la bouteille.

- 1) Vissez l'adaptateur de tuyau d'arrosage (G) dans le sens horaire sur le goulot fileté de la bouteille de protecteur de pompe.
- 2) Pour raccorder, poussez l'adaptateur du tuyau d'arrosage (G) et la bouteille de protecteur de pompe fermement dans le filtre du raccord rapide (H) précédemment installé sur l'entrée de la laveuse à pression.
- 3) Mettez l'appareil en marche. Éteignez la laveuse à pression aussitôt que le protecteur de pompe commence à sortir par l'embout de sortie d'eau.

Remarque : Les instructions qui s'affichent sur la bouteille du protecteur de pompe Pump Saver sont génériques et non spécifiques au modèle.



Pour toute question relative au produit, communiquez avec le service à la clientèle au 1 866 235-5112.

PROBLÈME	MESURE CORRECTRICE
L'appareil ne se met pas en marche.	<ol style="list-style-type: none"> 1. Le disjoncteur de fuite de terre à l'extrémité du cordon d'alimentation doit être branché directement dans une prise. 2. N'utilisez pas une rallonge électrique. 3. Une fois le disjoncteur de fuite de terre branché, vérifiez que l'appareil est sous tension. <p>Remarque : Lorsque l'interrupteur d'alimentation est allumé, la laveuse à pression se met en marche d'elle-même pendant 1 à 2 secondes, puis s'éteint. C'est normal.</p>
Je n'arrive pas à connecter le tuyau à haute pression (HP) au pistolet pulvérisateur ou bien il ne reste pas connecté. Est-ce que le pistolet pulvérisateur est défectueux?	<ol style="list-style-type: none"> 1. Dans la plupart des cas, le pistolet pulvérisateur n'est pas en cause. Le problème se trouve plutôt au niveau du manchon de caoutchouc qui couvre le raccord d'extrémité du tuyau à haute pression. Il a probablement glissé en direction de l'embout métallique. Pour corriger : remuez ou tirez le manchon de caoutchouc vers le bas jusqu'à ce que l'embout soit bien visible, plus de 1/8 po du raccord métallique sous l'embout. Essayez maintenant d'insérer l'embout de tuyau dans le pistolet pulvérisateur. Vous devriez entendre un clic lorsqu'il s'enclenche et il ne se déclenchera pas jusqu'à ce que le tuyau soit libéré en poussant le levier qui est sur le côté du pistolet. Vous pouvez découper l'extrémité du manchon à l'aide d'un couteau pointu si vous n'arrivez pas à déplacer le manchon vers le bas. Attention de ne pas couper et de ne pas percer le tuyau. 2. Ne poussez pas le bouton de dégagement lors de la connexion du flexible à haute pression.
L'appareil fonctionne mais l'eau ne s'écoule pas.	<ol style="list-style-type: none"> 1. Vérifiez l'alimentation en eau. Désincrustez la buse de la lance. (Consultez les instructions de nettoyage sous le thème « Nettoyage des buses »). Ou retirez la lance et arrosez directement à partir du pistolet pulvérisateur. Ainsi vous saurez si le problème vient vraiment de la lance. 2. Reconnectez l'adaptateur rapide de tuyau d'arrosage au raccord rapide transparent.
Pourquoi l'eau fuit-elle lorsque le tuyau à haute pression se connecte au pistolet pulvérisateur?	<ol style="list-style-type: none"> 1. Assurez-vous que l'extrémité de l'embout de métal du tuyau à haute pression possède un joint torique. Si ce n'est pas le cas, l'eau fuira entre le tuyau et le pistolet pulvérisateur. Les trousseaux de joints toriques sont disponibles en ligne à l'adresse www.arblueclean.com ou communiquez avec le service à la clientèle au 1 866 235-5112 pour placer une commande.
Je n'arrive pas à retirer la lance du pistolet pulvérisateur. Que dois-je faire?	<ol style="list-style-type: none"> 1. Les lances et les bouteilles de détergent sont fixées et retirées du pistolet de la même façon. Insérez le raccord rapide à l'extrémité de la lance ou de la bouteille de détergent dans la lance. Enfoncez la lance dans le pistolet (environ 1/8 po) et tournez dans le sens horaire. La lance se verrouillera en place. Retirez la lance en inversant la procédure. Enfoncez la lance dans le pistolet et tournez dans le sens anti-horaire. La lance glissera vers l'extérieur. 2. Ou placez la lance et le pistolet en position verticale avec la buse au sol. Poussez l'ensemble vers le sol pour desserrer le raccord, puis suivez la procédure de retrait. Vous pouvez également vaporiser de l'eau savonneuse ou du lubrifiant au point de raccordement de la lance et du pistolet.

DÉPANNAGE

PROBLÈME	MESURE CORRECTRICE
La laveuse à pression se met en marche pendant deux secondes, s'arrête et ne se remet pas en marche. Est-ce que mon appareil est défectueux?	<ol style="list-style-type: none">1. Il semble que votre laveuse à pression fonctionne parfaitement bien. Lorsque l'eau est raccordée, que les accessoires sont correctement assemblés et que l'interrupteur est à la position marche, la laveuse à pression se met en marche pendant 1 à 2 secondes pour amorcer la pompe. Elle s'éteint ensuite automatiquement et attend que la gâchette du pistolet pulvérisateur soit enfoncée. Une fois la gâchette enfoncée, l'eau commence à s'écouler à travers la pompe. Le capteur d'eau de la pompe détecte l'eau qui passe et met automatiquement en marche la laveuse à pression.2. Éteignez l'interrupteur, puis maintenez la gâchette du pulvérisateur enfoncée afin d'avoir un jet d'eau uniforme. Pendant que vous maintenez la gâchette en position ouverte pulvérisateur, tournez en même temps l'interrupteur d'alimentation pour le mettre en marche.

GARANTIE LIMITÉE

Ce produit est sous garantie pour le consommateur original contre tout défaut de matériau ou de main-d'œuvre pendant une période de 1 (un) an et cette garantie complète comprend le pistolet pulvérisateur, le tuyau à pression et tous les accessoires et ce, depuis la date de l'achat. La garantie n'est ni transférable ni cessible. Cette garantie couvre les pièces de rechange. Cette garantie limitée d'un an ne s'applique qu'aux usages domestiques et exclus les usages commerciaux et les appareils en location. Un entretien raisonnable doit être fait en conformité avec les instructions de fonctionnement et d'entretien du manuel du propriétaire et du guide de démarrage rapide. Le fait de ne pas se conformer à ces instructions annule cette garantie. Cette garantie vous donne des droits légaux spécifiques et vous pourriez également avoir d'autres droits qui varient d'un État ou d'une province à l'autre.

Processus de garantie

Conservez votre reçu d'achat original en cas de réclamation de garantie.

Si la laveuse à pression présente un problème, communiquez avec le service à la clientèle :

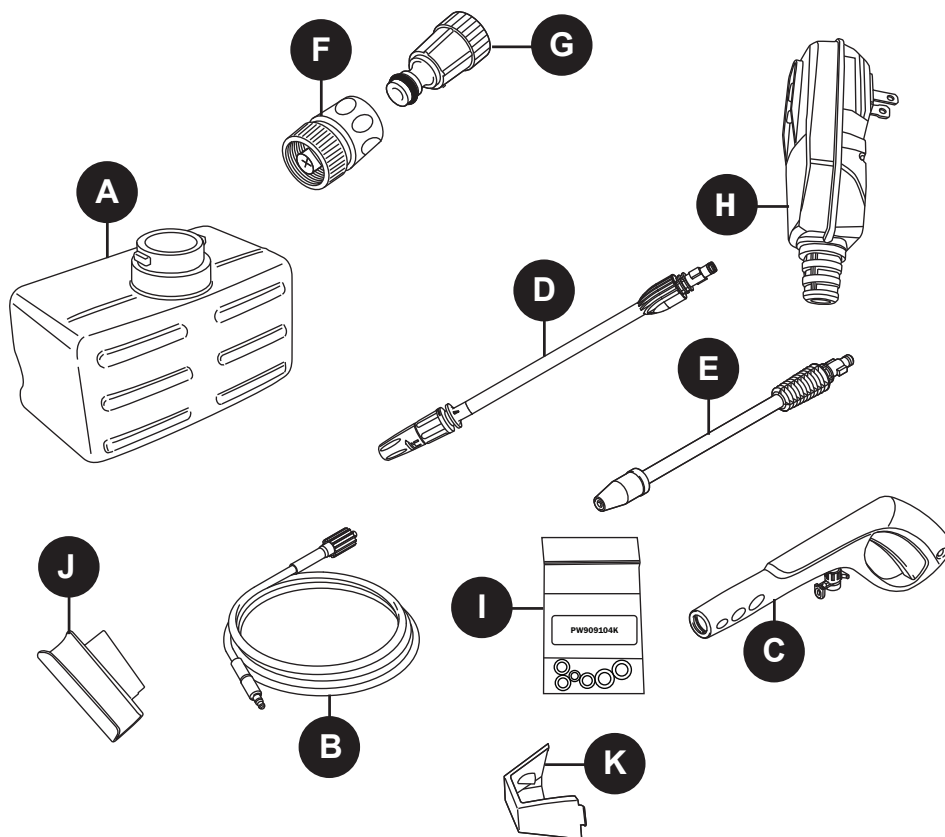
- Composez le numéro sans frais 1 866 235-5112. Le service à la clientèle est disponible du lundi au vendredi de 8 h à 17 h heure normale du centre (HNC). La personne du service à la clientèle qui vous répondra vous aidera à régler le problème.

Si la laveuse à pression doit être retournée en vue d'une réparation, les coûts d'expédition sont à la charge du client. Un **numéro d'autorisation de retour de marchandise** sera émis pour le retour. Sur réception de la laveuse à pression, la compagnie réparera ou remplacera l'appareil. Nous vous retournerons l'appareil sans frais.

Veillez prendre note : Les laveuses à pression expédiées à la compagnie **sans numéro RMA ne seront PAS acceptées** et elles seront retournées au frais de l'expéditeur.

LISTE DES PIÈCES DE RECHANGE

Pour commander des pièces de rechange, communiquez avec le service à la clientèle au numéro 1 866 235-5112, de 8 h à 17 h, HNC, du lundi au vendredi ou en ligne au www.arblueclean.com.



PIÈCE	DESCRIPTION	NO DE PIÈCE
A	Réservoir de détergent (28 oz)	PW4220020
B	Tuyau	PW4220740
C	Pistolet pulvérisateur	PW50968
D	Buse de lance HP et BP	PW4220010
E	Buse de lance turbo	PW50976
F	Adaptateur de tuyau d'arrosage rapide	PW3082731

PIÈCE	DESCRIPTION	NO DE PIÈCE
G	Filtre du raccord rapide transparent	PW3082130
H	Disjoncteur de fuite de terre	PW4221160
I	Ensemble de joints toriques	PW909104K
J	Étui de pistolet	PW4220040
K	Bac à buse	PW4220050

Imprimé en Chine

1700 PSI



BLUE
CLEAN®

Lavadora a presión eléctrica



INSTRUCCIONES DE MONTAJE, CUIDADO Y USO

Modelo AR 240 S

LEA CUIDADOSAMENTE

**IMPORTANTE: GUARDE ESTAS
INSTRUCCIONES Y ADJUNTE EL RECIBO AL MANUAL
PARA FUTURAS REFERENCIAS**

¿Preguntas, problemas, piezas faltantes?

Antes de la devolución al distribuidor, llame a nuestro Departamento de Servicio al cliente al 1-866-235-5112, de 8:00 a. m. a 5:00 p. m., hora estándar del centro, de lunes a viernes.
www.arblueclean.com

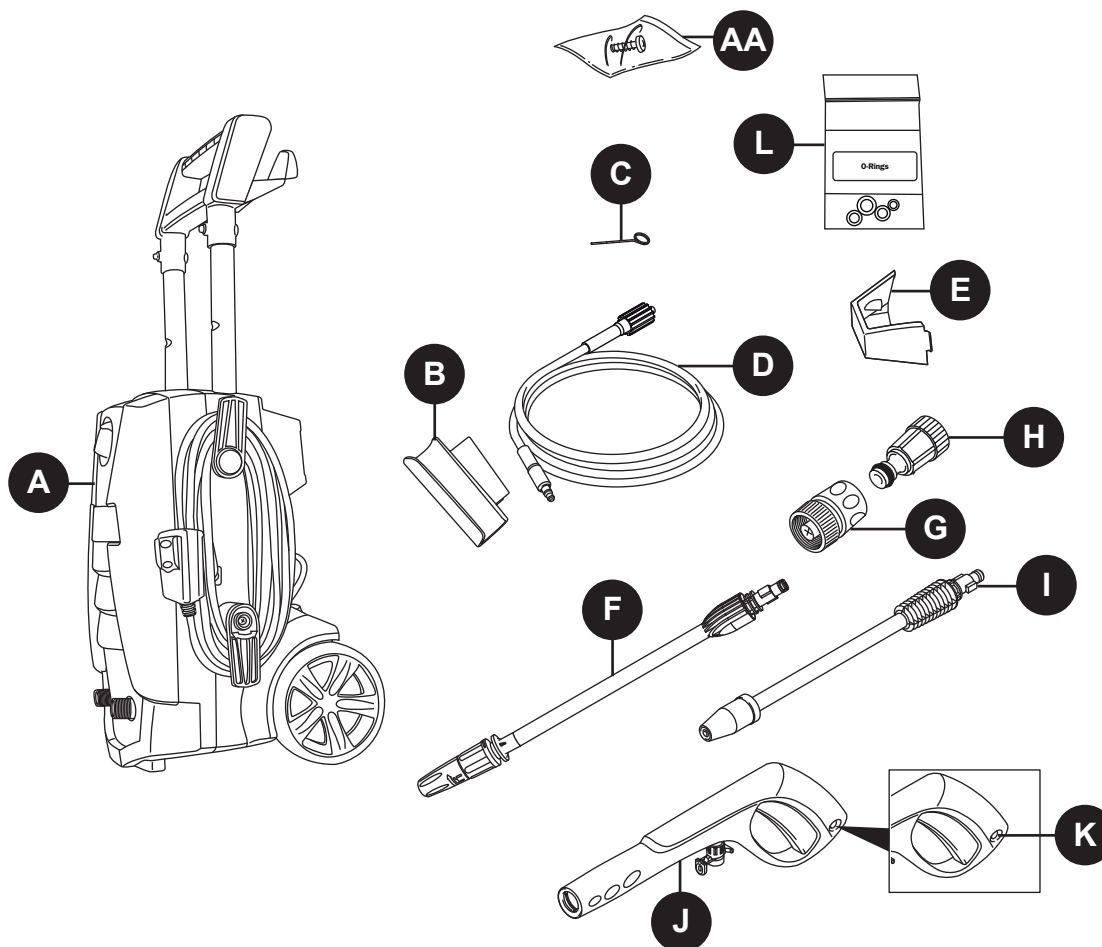
TABLA DE CONTENIDO

Especificaciones del producto.....	38
Contenido del paquete	39
Aditamentos	39
Información de seguridad.....	40
Instrucciones de montaje.....	42
Instrucciones de operación.....	46
Cuidado y mantenimiento	50
Protector de la bomba	51
Solución de problemas.....	52
Garantía limitada	53
Lista de piezas de repuesto	54

ESPECIFICACIONES DEL PRODUCTO

ESPECIFICACIONES						
Modelo	Capacidad PSI (kg/cm ²) (lb/pulgada ²)	Máx. GPM (Litro/min) (gal/por min)	Agua fría	Voltios	Amperios	Peso (kg) (lb)
AR 240 S	4,975 (1,700)	5.3 (1.4)	✓	120	13	10.89 (24)

CONTENIDO DEL PAQUETE



PIEZA	DESCRIPCIÓN	CANTIDAD
A	Unidad de la lavadora a presión	1
B	Funda de la pistola rociadora	1
C	Alambre de limpieza de boquilla	1
D	Manguera de presión alta	1
E	Bandeja de la boquilla	1
F	Lanza de la boquilla alta/baja	1
G	Adaptador de manguera de jardín QC	1

PIEZA	DESCRIPCIÓN	CANTIDAD
H	Conexión rápida transparente con filtro	1
I	Lanza de la boquilla turbo	1
J	Pistola rociadora	1
K	Bloqueo del gatillo de la pistola rociadora	1
L	Kit de empaque de anillo	1
AA	Tornillo	1

ADITAMENTOS

AA



Nota: El tornillo se encuentra en el paquete con el manual

Tornillo
Cantidad 1

Lea y comprenda este manual completo antes de intentar montar, operar o instalar el producto.

Este manual contiene información relacionada con la PROTECCIÓN DE LA SEGURIDAD PERSONAL y la PREVENCIÓN DE PROBLEMAS DEL EQUIPO. Es muy importante que lea atentamente este manual y que lo comprenda completamente antes de utilizar el producto. Los símbolos que se describen a continuación se utilizan para indicar esta información.



PELIGRO

Peligro potencial que **puede provocar lesiones graves o incluso la muerte.**



ADVERTENCIA

Peligro que **podría provocar lesiones graves o incluso la muerte.**



PRECAUCIÓN

Peligro potencial que **puede provocar lesiones moderadas o daños al equipo.**

Nota: La palabra “Nota” se utiliza para informar al lector de algo que el operador debe saber acerca de la herramienta.



ADVERTENCIA

Para reducir el riesgo de lesiones, el usuario debe leer y comprender las instrucciones antes de utilizar este producto.

1. Advertencia: al utilizar este producto, siempre se deben seguir las precauciones básicas, incluido lo siguiente:
2. Lea todas las instrucciones antes de usar el producto.
3. Obtenga el conocimiento de cómo detener el producto y purgar la presión rápidamente. Esté completamente familiarizado con los controles.
4. Mantenga el área de operaciones sin personas.
5. No se estire demasiado ni se pare sobre un soporte inestable. Mantenga una buena posición y el equilibrio en todo momento.
6. Siga las instrucciones de mantenimiento como se especifica en el manual.
7. Para evitar lesiones personales o daños a la propiedad y para maximizar su experiencia con la lavadora a presión, siga cuidadosamente todos los consejos de seguridad, instrucciones, advertencias y salvaguardias, y familiarícese con todos los controles.
8. Esta lavadora a presión cumple con las normas de la Asociación de Normas Canadiense (CSA) y otras normas de seguridad y del consumidor. **NO** modifique o reconstruya ninguna pieza de la lavadora a presión.

9. **NO** utilice la lavadora a presión cuando se encuentre bajo la influencia del alcohol o de drogas. Utilice esta herramienta a presión cuidadosamente y solo cuando esté atento.
10. Cuide su equilibrio y postura al utilizar la lavadora a presión. Las superficies se vuelven resbaladizas al mojarse y son extraordinariamente resbaladizas al usar un detergente o limpiador.
11. **NUNCA** opere la lavadora a presión descalzo, con sandalias o zapatos abiertos.
12. Cuando utilice la lavadora a presión cerca de niños, asegúrese de que estén siendo supervisados de cerca por un adulto para evitar lesiones. **NUNCA** permita que un niño utilice la lavadora a presión.
13. Mantenga los dedos, las manos, los pies y cualquier parte del cuerpo a distancia de la corriente de agua de alta presión. El rociador de alta potencia puede ocasionar ceguera o hacer estallar la piel. Puede romper una ventana si se encuentra demasiado cerca al accionar el gatillo de la pistola rociadora.
14. **SIEMPRE** utilice gafas de protección para evitar lesiones a los ojos al operar la lavadora a presión.
15. Para evitar accidentes o lesiones, **SIEMPRE** use el bloqueo de seguridad del gatillo cuando no utilice la lavadora a presión, incluso si la rociadura se detiene por un momento.
16. La lavadora a presión está equipada con un interruptor de circuito por falla a tierra (GFCI), que reduce en gran medida el riesgo de una descarga eléctrica mientras la unidad está en uso. Si es necesario reemplazar el conector o el cable, utilice solo piezas de repuesto idénticas.
17. Apunte la pistola rociadora en una dirección segura al iniciar una sesión de lavado a presión.
18. **NUNCA** rocíe directamente a una persona, animal, dispositivo eléctrico ni rocíe la propia unidad.
19. Cuando use la pistola de rociadora, sostenga la pistola rociadora y la lanza con las dos manos cuando tire del gatillo (una mano para tirar el gatillo y la otra para estabilizar el ensamble de la pistola) hasta que se acostumbre al “retroceso” de la pistola rociadora.
20. Al presionar el interruptor de alimentación para apagar la lavadora a presión, la presión del agua puede quedarse en el sistema. Para descargar la presión, apunte la pistola rociadora en una dirección segura y tire el gatillo.
21. **NUNCA** rocíe líquidos inflamables.
22. **NUNCA** use la lavadora a presión en áreas que contengan polvo, líquidos o vapores combustibles.
23. Evite el contacto de la manguera de presión con objetos afilados e inspeccione la manguera con regularidad. Reemplace si se daña. Debido a la alta presión implicada, no se puede reparar si se corta o daña.

24. Solo use el detergente formulado específicamente para lavadoras a presión y siga las instrucciones en la etiqueta del detergente.
25. Proteja los ojos, los pulmones y la piel de la exposición al detergente. El jabón para lavar platos o ropa es demasiado espeso y obstruirá la boquilla de la botella de detergente.

IMPORTANTE: Almacene la lavadora a presión bajo techo para evitar que el agua en la unidad se expanda en condiciones muy frías. Al congelarse y expandirse el agua, la lavadora a presión se dañará y dejará de funcionar. O bien, si se almacena al aire libre, se recomienda que utilice el protector de la bomba (no incluido) para proteger las bombas.

26. **NUNCA** use agua caliente con la lavadora a presión. Esto sobrecalentará y dañará la bomba de presión alta.
27. **NUNCA** abandone la lavadora a presión mientras está encendida “ON”.
28. **SIEMPRE** abra el suministro de agua “ON” antes de conectar la alimentación de la lavadora a presión en “ON”. Poner en funcionamiento la bomba en seco ocasionará daños en los componentes internos.

29. **NUNCA** utilice para la lavadora a presión un suministro de agua que exceda los 150 PSI máximo.
30. **NUNCA** desconecte la manguera de presión alta de la lavadora a presión mientras se presuriza el sistema.
31. **NUNCA** enganche de manera permanente los dispositivos del gatillo de la pistola rociadora.
32. **NUNCA** opere la lavadora a presión a menos que todos los componentes estén conectados de manera correcta y segura.
33. **NUNCA** permita que la bomba de la lavadora a presión funcione por más de un minuto después de cerrar el suministro de agua. Esto puede ocasionar que el motor y la bomba se sobrecalienten y fallen.
34. **NUNCA** utilice lanzas ni otras piezas que no sean compatibles con esta unidad AR Blue Clean específica.
35. **NUNCA** utilice un cable de alimentación de extensión debido a que este anula la efectividad del GFCI e incrementa la posibilidad de electrocutar al operador.
36. **NUNCA** rocíe las tomas de corriente con la lavadora a presión.
37. Inspeccione el cable de alimentación antes de utilizarlo. **NO** lo utilice si está dañado.

CONSERVE ESTAS INSTRUCCIONES PARA FUTURAS CONSULTAS.

Servicio de mantenimiento de un dispositivo de doble aislamiento

Protección del interruptor de circuito por falla a tierra:

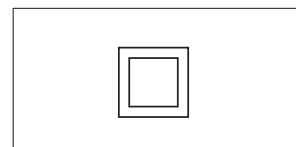
Esta lavadora a presión está provista de un interruptor de circuito por falla a tierra (GFCI) incorporado en los conectores del cable de suministro de alimentación. Este dispositivo proporciona protección adicional contra el riesgo de descarga eléctrica. Si es necesario reemplazar el conector o el cable, utilice solo piezas de repuesto idénticas que incluyan protección de GFCI.

En un producto de aislamiento doble, se proporcionan dos sistemas de aislamiento en lugar de la conexión a tierra. Para un producto de aislamiento doble no se proporciona medios de conexión a tierra, ni se deben agregar medios de conexión a tierra al producto.

El mantenimiento de un producto de doble aislamiento requiere cuidado extremo y conocimiento del sistema, y solo lo debe realizar personal de servicio cualificado.

Las piezas de repuesto para un producto de doble aislamiento deben ser idénticas a las piezas originales.

Un producto de doble aislamiento está marcado con las palabras “Aislamiento doble” o “Doble aislamiento”. El producto también podría estar marcado con el símbolo que se muestra aquí.



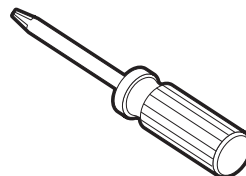
Producto de doble aislamiento

PREPARACIÓN

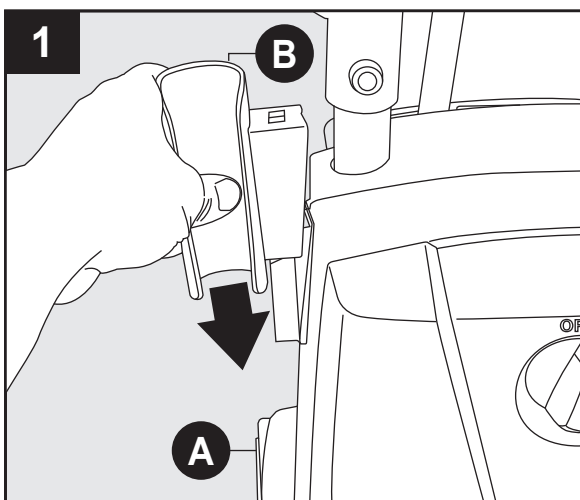
Antes de comenzar el montaje del producto, asegúrese de que todas las piezas estén presentes. Compare las piezas con la lista de contenido del paquete y la lista de aditamentos. Si alguna pieza falta o está dañada, **NO** intente montar el producto.

Tiempo de montaje estimado: 5 minutos

Herramientas requeridas para el montaje (no incluidas):
Destornillador Phillips



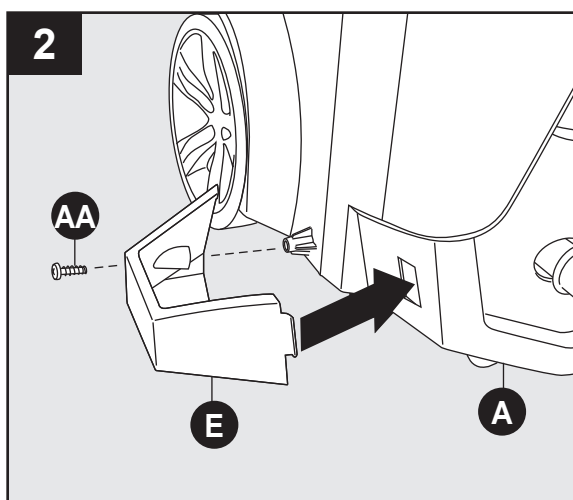
INSTRUCCIONES DE MONTAJE



Montaje de la unidad de alimentación

Deslice la funda de la pistola rociadora (B) en el lado izquierdo, estando frente a la unidad de la lavadora a presión (A).

Nota: Al colocar la pistola con la lanza acoplada, la boquilla descansará en esta bandeja.



Deslice la pestaña en la ranura y atornille la bandeja de la boquilla (E) en la parte inferior izquierda, estando frente a la unidad de la lavadora a presión (A). Fije con el tornillo (AA).

Nota: **NO** utilice un destornillador eléctrico. Cuando el tornillo esté completamente apretado, de un pequeño giro final hacia la derecha del destornillador.

NO apriete demasiado.

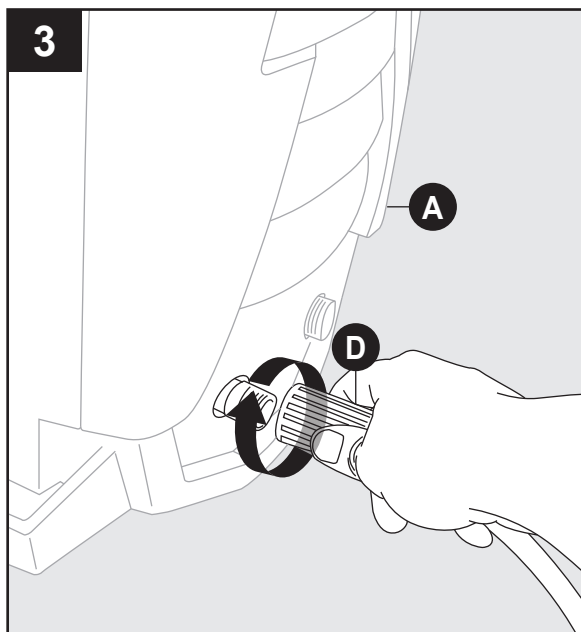
Aditamentos que se utilizan:



Tornillo



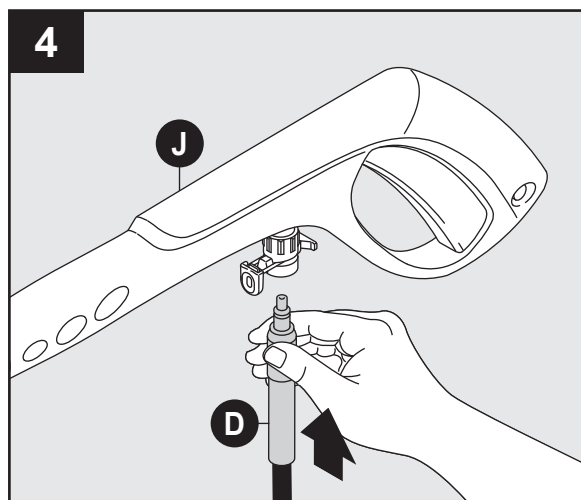
x 1



Montaje de la manguera de presión alta

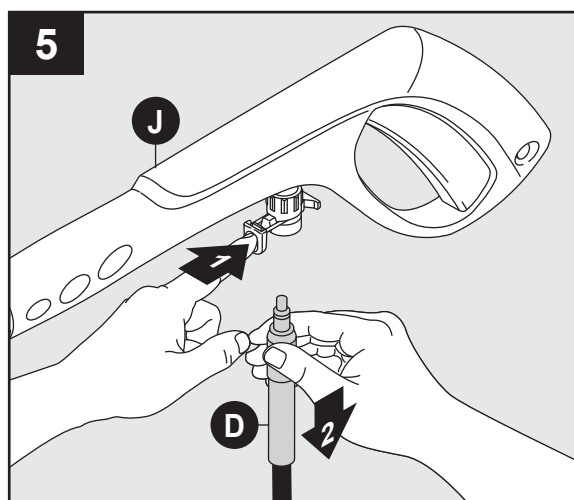
Atornille la manguera de presión alta (D) hacia la derecha en la parte inferior delantera de la unidad de la lavadora a presión (A). Tire hacia atrás el collarín e inserte la varilla del empaque de anillo en la salida de agua lo suficiente para que el collarín se pueda enroscar en la salida hasta que esté apretado con la mano. Si le da menos de seis vueltas no ha apretado apropiadamente el conector de la manguera de presión alta. Es más fácil colocar la lavadora a presión frente a usted para asegurarse de que las roscas inician correctamente. No apretar correctamente la manguera de presión alta ocasionará que la manguera se deslice o salga disparada inmediatamente al encender la unidad. No se preocupe por daños si esto ocurre, simplemente vuélvala a instalar y tenga especial cuidado al enroscar el conector de la manguera de presión alta.

Nota: NO utilice alicates ni pinzas de presión para apretar.



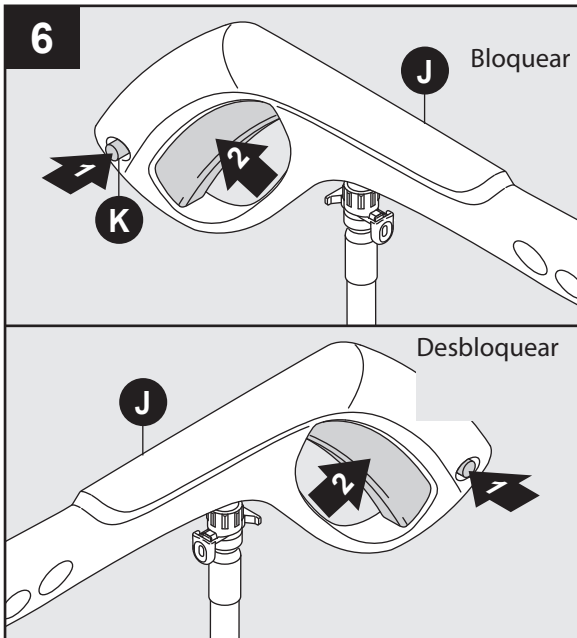
Conecte el otro extremo de la manguera de presión alta (D) a la pistola rociadora (J) insertando la punta de metal bronce de la manguera de presión alta en el conector justo antes del protector del gatillo. Se fijará en la pistola rociadora con un "clic". Confirme que la manguera esté bloqueada en la pistola rociadora jalándolos levemente. La manguera está ahora conectada de manera segura a la pistola rociadora.

Nota: NO presione el botón en la parte inferior de la pistola cuando conecte la manguera a la pistola.



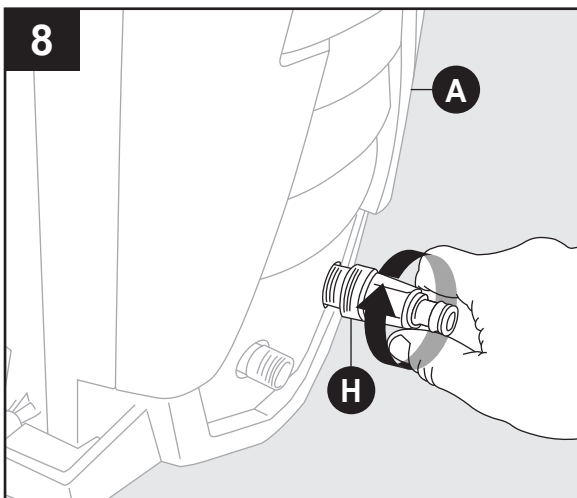
Para liberar la manguera (D) de la pistola rociadora (J), presione el botón en la parte inferior de la pistola hacia el protector del gatillo. La manguera se deslizará hacia afuera de la conexión.

INSTRUCCIONES DE MONTAJE



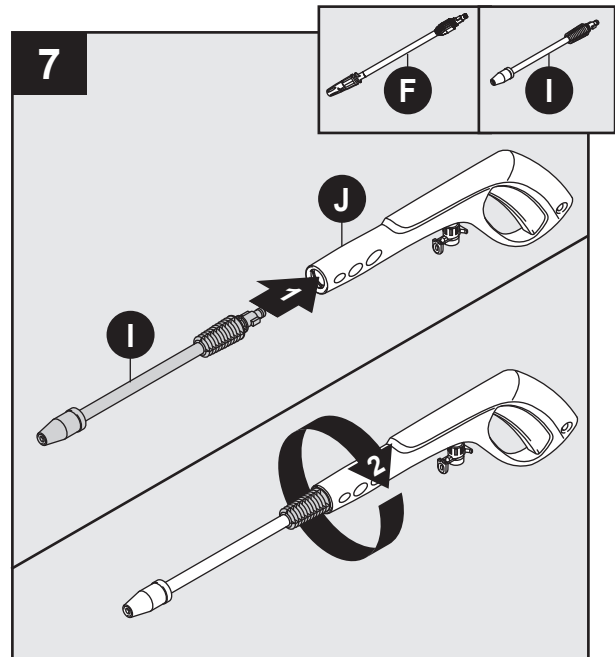
Bloquear la pistola rociadora (antes de la instalación de la lanza)

Para bloquear el gatillo de la pistola rociadora (J), apunte la pistola lejos de usted y presione el botón de bloqueo de derecha a izquierda. Después de hacerlo, apriete o jale el gatillo para asegurarse de que está bloqueado y que no se moverá. Siempre deje el botón de bloqueo en posición bloqueada cuando no esté en uso. Esto garantiza que la pistola esté en modo "seguro" hasta que esté lista para su uso.



Instalación del adaptador de manguera de jardín

Retire la tapa plástica de envío en la entrada de agua en la parte frontal derecha de la unidad de la lavadora a presión (A). Instale la conexión rápida transparente (H) a la entrada de agua con la mano, apretando hacia la derecha.



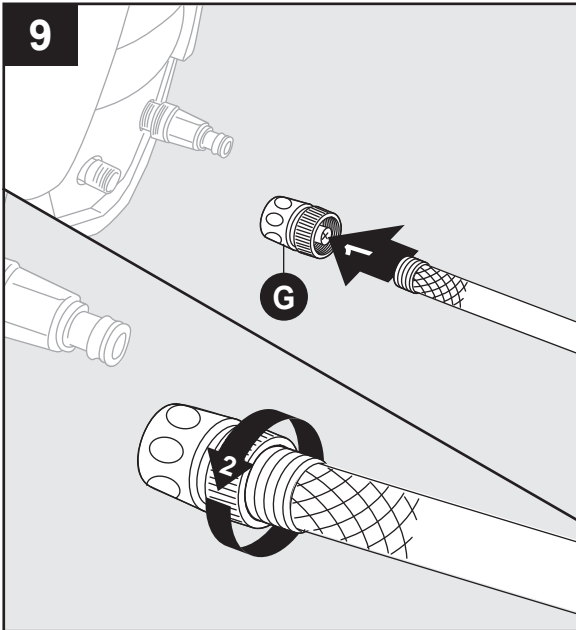
Instalación de la lanza de la boquilla turbo y lanza de boquilla Alta/baja

Mientras la pistola rociadora (J) está en la posición bloqueada, inserte la lanza de la boquilla alta/baja (F) o la lanza de la boquilla turbo (I) en el extremo de la pistola rociadora, insertando y presionando conjuntamente girando hacia la derecha simultáneamente. Para retirar, presione conjuntamente y gire hacia la izquierda.

Nota: Siempre presione el botón de bloqueo de seguridad para bloquear el gatillo cuando cambie las lanzas para garantizar que no se expulsen accidentalmente con fuerza durante la desinstalación.

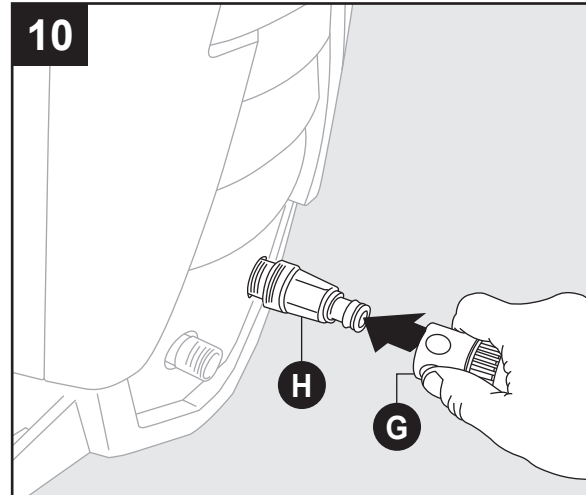
Nota: Cuando utilice la lanza turbo, asegúrese de que la boquilla turbo esté fuertemente atornillada en el extremo de la lanza cada vez que la utilice.

INSTRUCCIONES DE MONTAJE



Acople una manguera de jardín al adaptador de manguera de jardín QC (G).

Nota: Enjuague la manguera de jardín antes de conectarla al adaptador de la manguera de jardín QC.

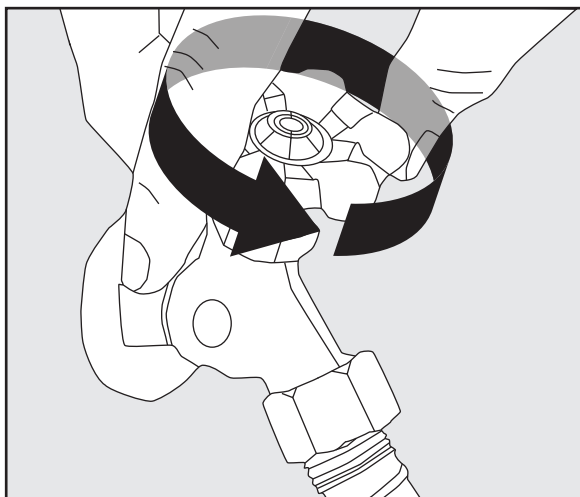


Empuje el adaptador de la manguera de jardín QC (G) sobre la conexión rápida transparente (H). Este hará "clic" en su lugar. No jale la funda azul hacia atrás mientras empuja el adaptador de la manguera de jardín QC (G) en la conexión rápida transparente (H). Ahora el agua está conectada a la lavadora a presión.

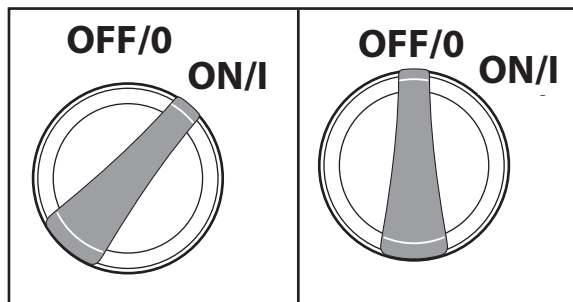
Nota: Para retirar la manguera de agua, jale hacia atrás el collarín azul y se deslizará hacia afuera de la conexión rápida transparente. Esto se puede hacer en cualquier momento. El agua no saldrá de la manguera de jardín debido a que el collarín azul/negro tiene una válvula de retención de bloqueo de agua. El agua solo fluirá de la manguera de jardín cuando esté conectada a la conexión rápida transparente.

Ahora ya completó el montaje y está listo para comenzar a utilizar la lavadora a presión eléctrica. Lea y observe todas las instrucciones de seguridad.

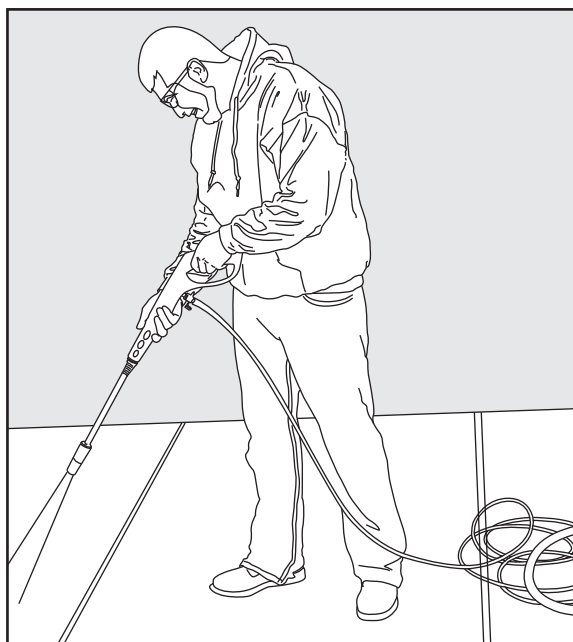
INSTRUCCIONES DE OPERACIÓN



- Abra el suministro de agua con el grifo completamente abierto
- Asegúrese de que el interruptor "ON/OFF" esté en la posición "OFF". El interruptor de encendido tiene símbolos internacionales para "on" y "off": On (I) Off (O).
- Desenrolle completamente el cable de alimentación y conecte el GFCI en una toma de 120 voltios a tierra.
- Libere el bloqueo del gatillo a presión de seguridad hacia arriba y de nuevo hacia el gatillo. Mientras apunta la pistola rociadora a una dirección segura, apriete el gatillo de la pistola rociadora hasta que haya un flujo constante de agua, permitiendo que el agua y el aire salgan de la manguera. Presione el bloqueo del gatillo de nuevo hacia abajo para bloquearlo de nuevo en su lugar.



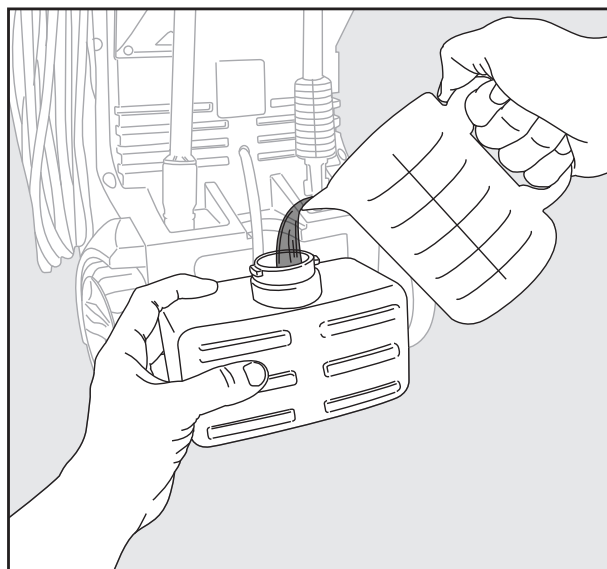
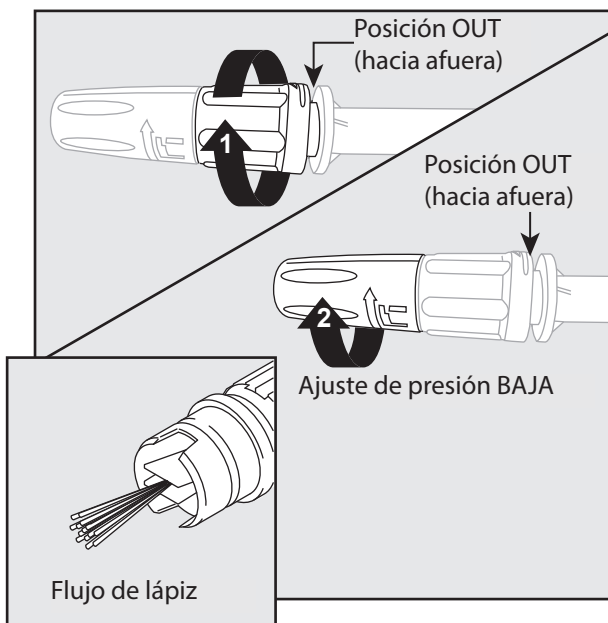
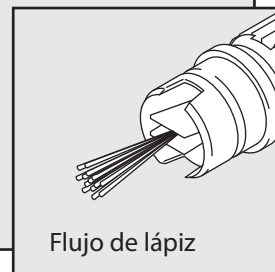
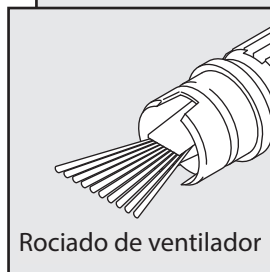
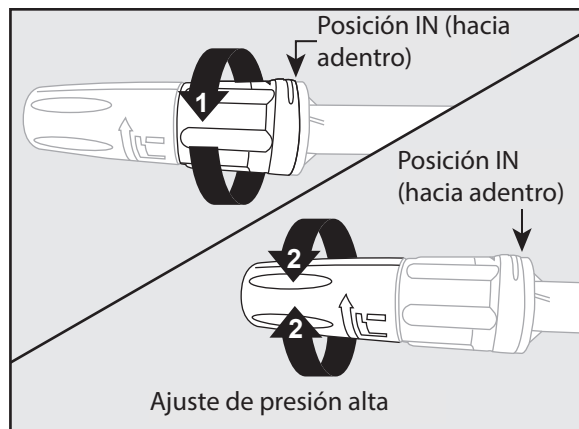
- Gire el interruptor de alimentación a la posición "ON" (I). La unidad se encenderá durante 1 o 2 segundos y se apagará. Este es un procedimiento normal de la función de arranque automático. Apriete el gatillo de la pistola rociadora para comenzar el lavado a presión.
- Comience el lavado a presión apretando el gatillo de la pistola rociadora completamente en la manija.
- Libere el gatillo de la pistola rociadora para detener la lavadora a presión.
- Deje que el motor se detenga por completo antes de apretar el gatillo de nuevo.
- Oprimir rápidamente hará que la función de arranque automático pierda un ciclo de on/off lo que puede impedir que se encienda mientras aprieta el gatillo después de oprimir de manera rápida. Mediante jalones del gatillo pausados lentos evita este proceder.



- **Siempre pruebe** en un área pequeña para evitar la posibilidad de dañar la superficie.

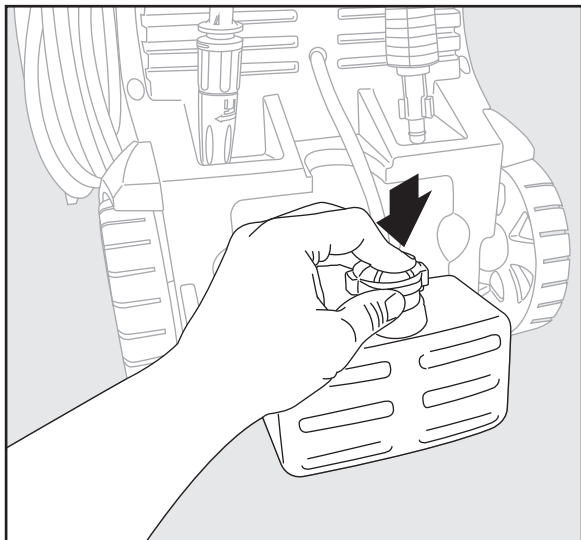
Utilización de la boquilla alta/baja

- El rociado de presión alta se utiliza para la limpieza y el rociado de presión baja activa para la función de detergente.
- La boquilla de rociado ajustable tiene dos (2) posiciones:
 - Posición IN (hacia adentro) para rociado de presión alta. Gire la boquilla hacia la izquierda hasta que tope y la abertura esté cerrada.
 - Posición OUT (hacia afuera) para rociado de presión baja para la función de detergente. Gire la boquilla hacia la derecha hasta que tope y la abertura esté cerrada.
- Cuando utilice el ajuste de presión alta, gire la cabeza de la boquilla hacia la derecha o hacia la izquierda para obtener el flujo deseado.
- Cuando utilice el ajuste de presión baja gire la cabeza de la boquilla hacia la derecha para abrir las aspas del ventilador completamente.



IMPORTANTE: Cuando aplique detergente con el rociado de presión baja, la cabeza de rociado variable se debe establecer para “Flujo de lápiz”. Esto ocurre cuando las aspas de metal en la parte delantera de la boquilla se abren completamente para que el rociado de detergente no se restringa.

- Cuando use el detergente, llénela con un detergente formulado apropiadamente con una proporción de agua de acuerdo a las instrucciones en el envase.
- **NO** use detergentes espesos como gel ya que obstruirán la lavadora a presión y pueden causar daños.



- Cuando retire el tanque de detergente, retire la tapa y coloque el dedo en el tanque levantando mientras jala el tanque hacia afuera.

Consejos para la operación

- Si escucha que el motor funciona de forma intermitente cuando no se aprieta el gatillo, eso es normal.

La bomba se está purgando para que esté lista para funcionar cuando se apriete el gatillo. Apague la lavadora a presión si no se usa después de cinco minutos.

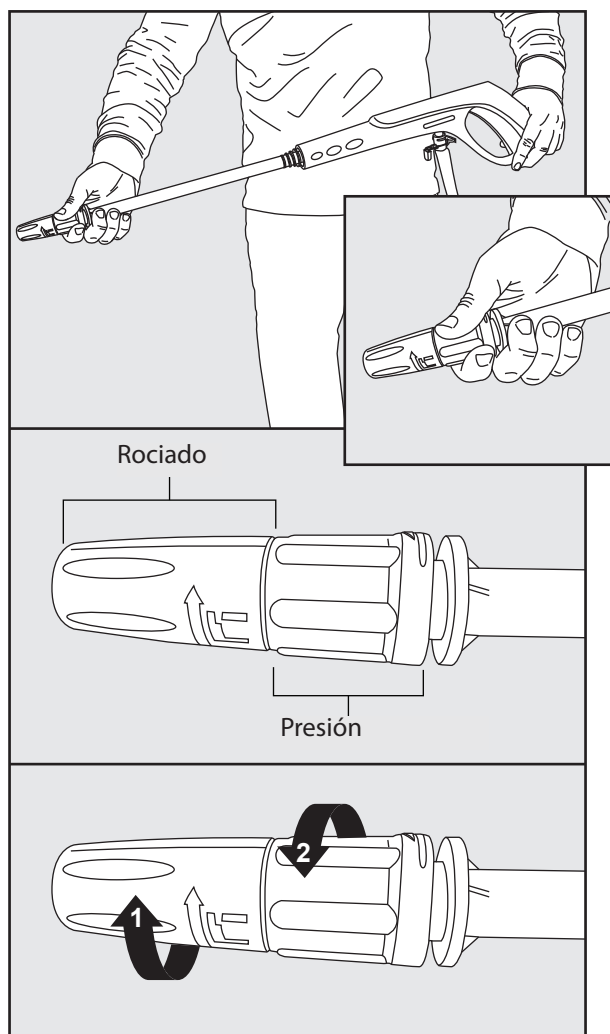
- Los empaques de anillo en el extremo de la bayoneta de la lanza se deben limpiar regularmente y lubricar con grasa no soluble en agua, como vaselina.
- Conserve el alambre de limpieza de la boquilla para utilizarlo para destapar la boquilla. Si pierde el alambre de limpieza, un sujetapapeles enderezado también funcionará.

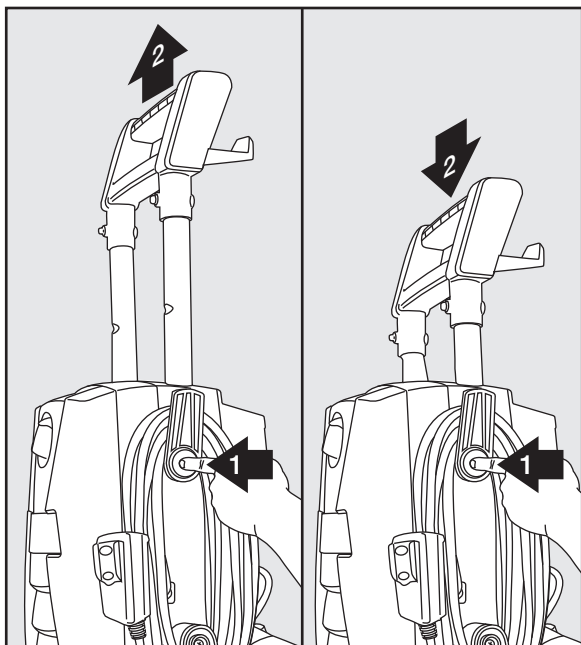
Cómo evitar dañar las superficies

- Los daños a las superficies que se limpian se producen debido a que la fuerza del impacto de la presión del agua es superior a la durabilidad de la superficie. La madera sin acabado se puede penetrar, la pintura se puede descascarar, etc. Puede variar la fuerza de su lavadora a presión mediante el control de:

1. El ángulo de la superficie que se limpia
2. La distancia de la boquilla de la superficie que se limpia

- **NUNCA** utilice un flujo de agua de presión alta pequeño sobre superficies suaves susceptibles a los daños.
- Utilice la lanza de boquilla alta/baja cuando limpie ventanas. Asegúrese de ajustar la boquilla para rociado bajo y de colocar la boquilla aproximadamente a cuatro o cinco pies de la ventana con la boquilla en un ángulo de cuarenta y cinco grados. Apriete el gatillo y cambie el patrón de rociado y el ángulo hasta que se obtenga la eficiencia de limpieza óptima.



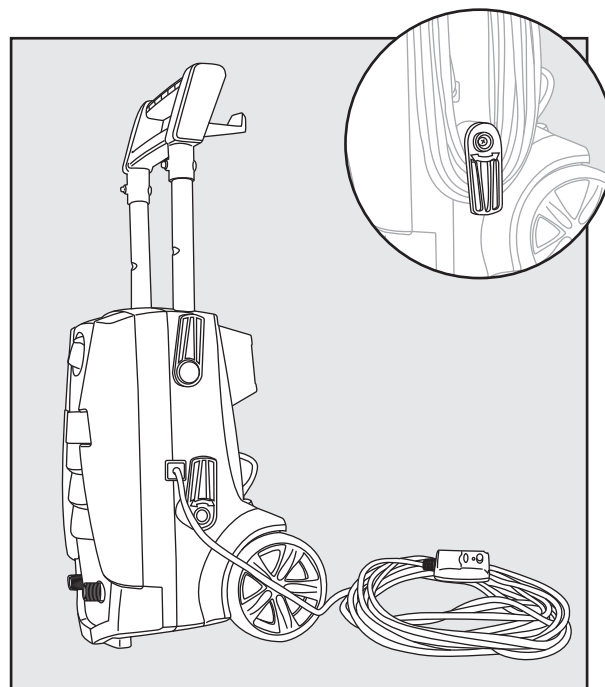


Extensión y reducción de la manija

- Extienda la manija presionando el botón azul en el gancho del cable y jale la manija hacia arriba hasta que se bloquee en su lugar.

Nota: si la manija no se desliza fácilmente hacia arriba, añada un poco de vaselina (no incluida) para ayudar a que se deslice más fácilmente.

- Reduzca la manija presionando el centro del gancho del cable superior y presione hacia abajo la manija hasta que tope.



Uso del cable de alimentación

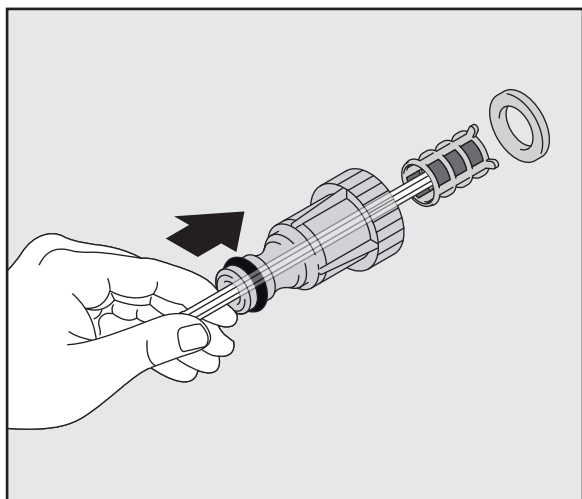
- Retire fácilmente el cordón de alimentación de un lado de la unidad girando el gancho del cordón azul inferior hacia la derecha o izquierda hasta que quede hacia arriba. El cable de alimentación entonces se puede deslizar fácilmente del lado de la unidad de la lavadora a presión.
- Gire el gancho del cable azul de nuevo hacia abajo cuando esté listo para enrollar el cable de nuevo en su lugar para el almacenamiento.

Detergentes

- Utilice detergentes diseñados para lavadoras a presión. Estos se pueden comprar en línea en nuestro sitio web www.arblueclean.com. Las ferreterías o los centros para el hogar también tienen detergentes para lavadora a presión para diferentes trabajos de limpieza. La solución de limpieza debe tener la consistencia del agua para evitar la obstrucción de la boquilla y de la botella de detergente.
- Este sistema aplica detergente a baja presión. La capacidad de limpieza de los detergentes mejora cuando se aplica con baja presión y se le da el tiempo suficiente para romper la suciedad y la mugre. La combinación de baja presión y la acción química es muy eficaz y puede ser mejor que restregar, si se aplica correctamente. **SIEMPRE** rocíe detergente sobre una superficie seca. **NO** remoje previamente. Al mojar la superficie primero, se diluye el detergente y reduce su capacidad de limpieza. **NO** permita que el detergente se seque sobre la superficie. Al limpiar superficies verticales, aplique detergente en las superficies inferiores y suba poco a poco para evitar que el detergente haga rayas en la suciedad o mugre. Enjuague el detergente mediante el lavado a presión de abajo hacia arriba por la misma razón.
- Si una mancha es particularmente difícil, puede ser necesario aplicar de nuevo detergente y utilizar un cepillo de cerdas para restregar la mancha. El lavado a presión posterior al cepillado debe completar con éxito el trabajo de limpieza.

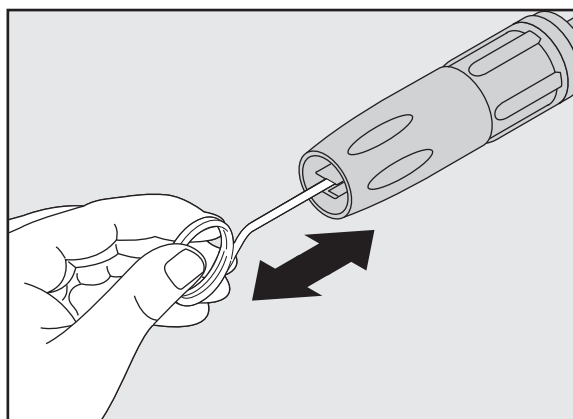
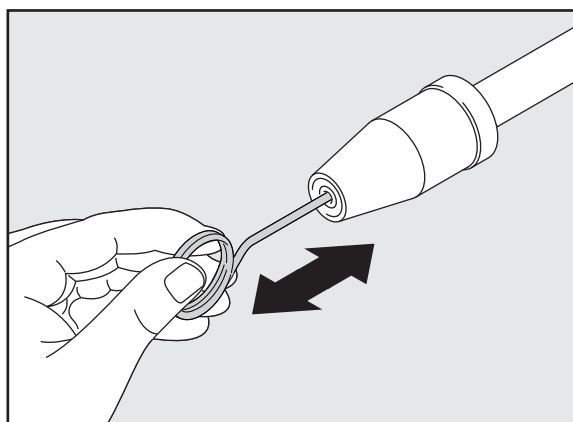
Limpieza de la conexión rápida transparente

- Las pantallas en el interior del adaptador de la manguera de jardín transparente se deben limpiar periódicamente. Enjuáguela con agua limpia y luego colóquela de nuevo en el adaptador.



Limpieza de las boquillas

- Una boquilla obstruida o parcialmente obstruida puede ocasionar una reducción significativa de la presión del agua que sale de la boquilla y hacer que la unidad vibre durante el rociado.
- Apague la unidad.
- Cierre el suministro de agua a la unidad.
- Alivie cualquier presión atrapada en la manguera apretando el gatillo de 2 a 3 veces y luego bloquee la pistola rociadora presionando el botón de bloqueo de izquierda a derecha.
- Retirar la lanza de la pistola rociadora
- Utilice el limpiador de la punta de la boquilla proporcionado (o un portapapeles desdoblado), inserte el alambre en el agujero de la boquilla y muévalo hacia adelante y hacia atrás hasta que los residuos se desprendan.
- Golpee ligeramente el extremo de la conexión rápida de la lanza sobre una superficie dura varias veces
- Lave a contracorriente con agua a través de las boquillas con la manguera de jardín y a la máxima presión disponible (ya sea con la boquilla de agua estándar o con el pulgar sobre la boquilla para crear la presión de agua para el lavado a contracorriente).



CUIDADO Y MANTENIMIENTO

Almacenamiento

- Cuando termine la sesión de lavado a presión, apague el interruptor de alimentación ubicado en la parte delantera de la lavadora a presión. Desconecte el cable de alimentación de la toma de corriente. Cierre el suministro de agua. Jale el gatillo de la pistola rociadora de 2 a 3 veces para drenar el exceso de agua y para liberar cualquier presión de agua que quede. Desconecte el adaptador de la manguera de jardín de la entrada de agua. **NO** permita que la lavadora a presión funcione sin que pase un flujo de agua a través de ella.
- Retire la botella de detergente y límpiela completamente. Los restos de químicos se adherirán al recipiente y pueden ocasionar que el inyector de detergente se obstruya y no funcione correctamente.
- Retire la manguera de presión alta de la pistola rociadora.
- Retire la lanza de la pistola. Coloque la pistola en el soporte al lado. Las lanzas se colocan en cualquiera de las ranuras en la parte trasera de la unidad. Asegúrese de desechar cualquier resto de detergente de la botella. Enjuague la botella y la cabeza de la boquilla con agua fresca para evitar la obstrucción.
- Enganche el cable de alimentación alrededor de la pestaña en forma de L en el lado derecho de la máquina estando de frente a esta.
- La manguera de presión se almacena en el gancho de la manguera situado en la parte posterior de la manija.

PROTECTOR DE LA BOMBA

Protector de la bomba es un producto que protege y prolonga la vida de la bomba. Este mantendrá las partes internas de la bomba lubricadas y protegidas de la congelación mientras se almacena en TODOS los climas. También ayuda a proteger contra la corrosión interna. El N.º de pieza de Blue Clean es: PW64511 (botella de 16 onzas). Realice su pedido en línea en www.arblueclean.com

Instrucciones del protector de la bomba

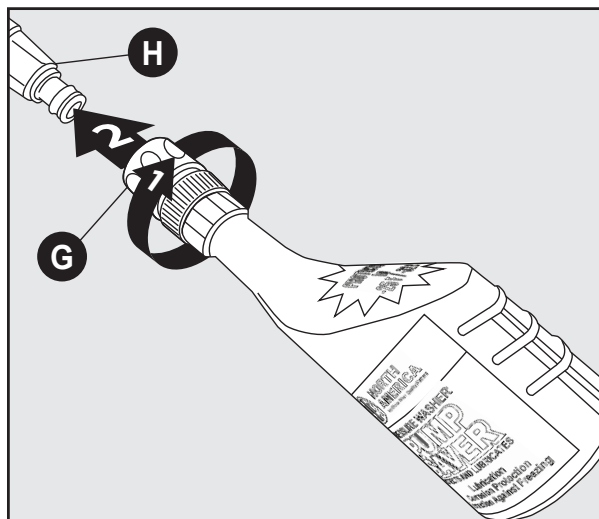
Siga las instrucciones de almacenamiento previas para su lavadora a presión. Para evitar manchas, proteja la superficie debajo de la lavadora a presión de cualquier exceso de líquido. Utilice protección para los ojos cuando utilice este producto.

Apague la unidad y desconecte todas las mangueras antes de colocar el protector de la bomba. Desenrosque la tapa roscada de la botella para retirar el sello y vuelva a colocar la tapa roscada en la botella.

Retirar la tapa negra de la botella.

- 1) Desenrosque el adaptador de la manguera de jardín (G) hacia la derecha sobre la tapa roscada de la botella del protector de la bomba.
- 2) Para conectar, empuje el adaptador de la manguera de jardín (G) y la botella del protector de la bomba firmemente dentro del filtro de la conexión rápida transparente (H), previamente instalado a la entrada de la lavadora a presión.
- 3) Conecte la alimentación. Apague la lavadora a presión tan pronto como el protector de la bomba comience a salir de la salida de la bomba.

Nota: las instrucciones de la botella del protector de la bomba son genéricas y no del modelo específico.



SOLUCIÓN DE PROBLEMAS

Si tiene alguna pregunta sobre el producto, llame a Servicio al cliente al 1-866-235-5112

PROBLEMA	ACCIÓN CORRECTIVA
La unidad no enciende.	<ol style="list-style-type: none"> 1. El módulo del GFCI en el extremo del cable de alimentación se debe conectar directamente a una toma de corriente. 2. No utilice un cable de extensión. 3. Con el GFCI conectado asegúrese de que el interruptor de alimentación esté en on. <p>Nota: Cuando el interruptor de alimentación está en on, la lavadora a presión se encenderá por 1 o 2 segundos y se apagará. Esto es normal.</p>
La manguera de presión alta (HP) no se conecta/ permanece conectada a la pistola rociadora. ¿Es este un problema de la pistola rociadora?	<ol style="list-style-type: none"> 1. En la mayoría de los casos, la pistola rociadora no es el problema. El problema es la funda de caucho que cubre el conector en el extremo de la manguera de presión alta. Es probable que se haya deslizado hacia la punta de metal. Para arreglarlo: mueva, gire o jale la funda de caucho hacia abajo hasta que se pueda ver toda la punta más 0,317 cm (1/8 pulgadas) del conector de metal debajo de la punta. Ahora trate de insertar la punta de la manguera en la pistola rociadora. Debe hacer "clic" en su lugar y no saldrá hasta que la manguera se libere presionando la palanca en la parte inferior de la pistola. Puede cortar el extremo de la funda con un cuchillo afilado si no puede mover la funda hacia abajo. Tenga cuidado de no cortar ni perforar la manguera. 2. No presione el botón de liberación cuando se conecta la manguera de presión alta.
La unidad está funcionando, pero no hay flujo de agua.	<ol style="list-style-type: none"> 1. Revise la fuente de agua. Destape la boquilla en la lanza. (Consulte las instrucciones de limpieza de la boquilla en "Limpieza de boquillas"). O, retire la lanza y simplemente rocíe desde la pistola rociadora. Esto indicará si el problema está en la lanza. 2. Vuelva a conectar el adaptador de la manguera de jardín QC a la conexión rápida transparente.
¿Por qué hay fugas de agua en la conexión de la manguera de presión alta a la pistola rociadora?	<ol style="list-style-type: none"> 1. Asegúrese de que haya un empaque de anillo en el extremo de la punta de metal de la manguera de presión alta. Si no hay un empaque de anillo, la conexión entre la manguera y la pistola rociadora presentará una fuga. Los kits de empaque de anillo están disponibles en línea en www.arblueclean.com o llame a Servicio al cliente al 1-866-235-5112 para hacer un pedido.
No puedo retirar la lanza de la pistola rociadora. ¿Qué debo hacer?	<ol style="list-style-type: none"> 1. Todas las lanzas y las botellas de detergente se acoplan y se retiran de la lanza de extensión de la misma forma. Inserte el extremo de liberación rápida de la lanza/botella de detergente en la lanza de extensión. Presione la lanza de extensión y la lanza conjuntamente (aproximadamente 0,317 cm [1/8 pulgadas]) y gire hacia la derecha. La lanza se bloqueará en su lugar. Retire la lanza revirtiendo este procedimiento. Presione la lanza de extensión y la lanza conjuntamente y gire hacia la derecha. La lanza se deslizará hacia afuera. 2. O bien, sostenga la lanza de extensión y la lanza en posición vertical con el extremo de la boquilla en el suelo. Presione todo el conjunto hacia abajo para aflojar la conexión y, a continuación, siga el procedimiento de desinstalación de nuevo. También puede rociar agua jabonosa o un lubricante en el área de la conexión de la lanza a la lanza de extensión.

SOLUCIÓN DE PROBLEMAS

PROBLEMA	ACCIÓN CORRECTIVA
La lavadora a presión se enciende por 2 segundos, se apaga y no vuelve a encender. ¿Tengo una unidad defectuosa?	<ol style="list-style-type: none">1. Parece que la lavadora a presión trabaja muy bien. Cuando se conecta el agua, los accesorios están montados apropiadamente y el interruptor de alimentación está en on, la lavadora a presión puede encender por 1 o 2 segundos para purgar la bomba. Se apaga automáticamente y espera que el gatillo de la pistola rociadora se presione. Cuando el gatillo se presiona, el agua comienza a fluir a través de la bomba. El sensor de agua en la bomba “detecta” el agua en movimiento y enciende automáticamente la lavadora a presión.2. Coloque el interruptor de alimentación en off, mantenga presionado el gatillo de la pistola rociadora, para tener un flujo constante de agua. Mientras mantiene el gatillo abierto en la pistola rociadora, al mismo tiempo, coloque el interruptor de alimentación a on.

GARANTÍA LIMITADA

Este producto está en garantía para el consumidor minorista original contra defectos de material y fabricación por un período de 1 (un) año y es una garantía completa “de extremo a extremo” que incluye la pistola rociadora, la manguera de presión alta y todos los aditamentos a partir de la fecha de compra. La garantía no es transferible ni asignable. Esta garantía cubre las piezas de repuesto. Esta garantía limitada de un año aplica solo a los productos que se utilizan en las aplicaciones del consumidor y no para el alquiler o en aplicaciones comerciales. Se debe dar el trato adecuado de conformidad con las instrucciones de operación y mantenimiento en el manual del propietario y guía rápida de inicio. El incumplimiento de estas instrucciones anulará esta garantía. Esta garantía le otorga derechos legales específicos y también podría tener otros derechos que varían de estado a estado.

Proceso de garantía

Guarde su recibo original de compra en caso del reclamo de garantía.

Si la lavadora a presión desarrolla un problema, comuníquese con Servicio al cliente:

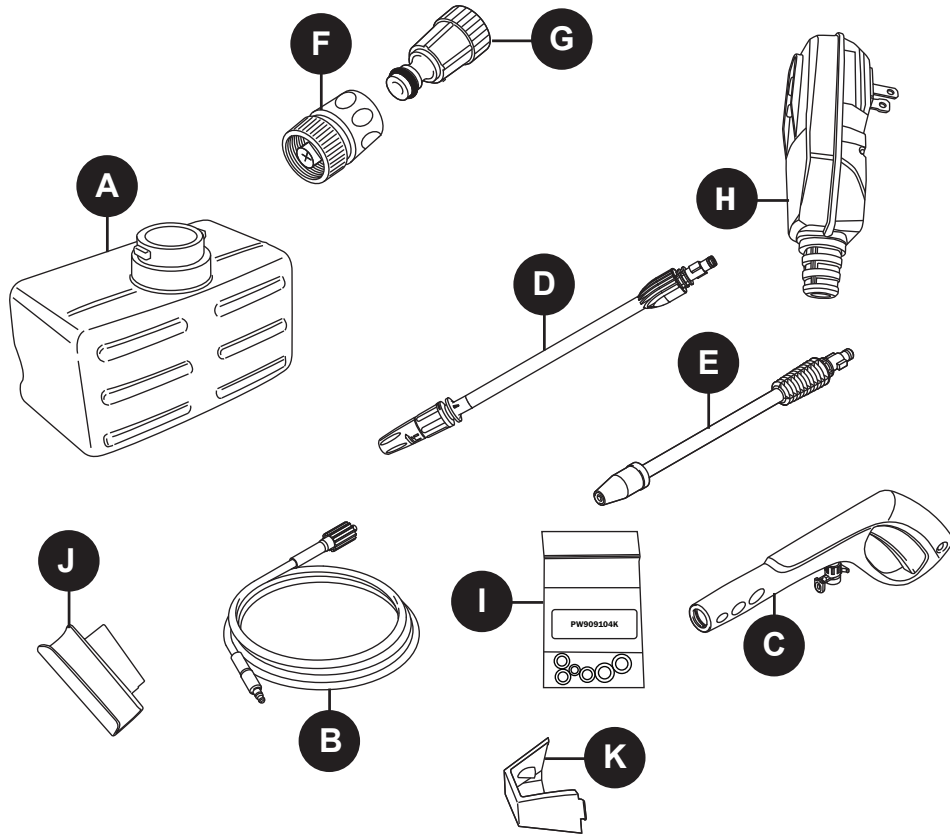
- Llame a nuestro número gratuito 1-866-235-5112. Servicio al cliente está disponible de lunes a viernes de 8:00 a. m. a 5:00 p. m., hora estándar del centro (CST). La persona de Servicio al cliente trabajará con usted para solucionar el problema.

Si la lavadora a presión se tiene que retornar para su reparación, el cliente debe pagar los costos de envío a la compañía. Se emitirá un **Número de autorización de devolución de mercancía (RMA)** para la devolución. Al recibir la lavadora a presión, la empresa reparará o reemplazará la unidad. Enviaremos de vuelta la unidad al cliente sin cargo alguno.

Tenga en cuenta: las lavadoras a presión que se envíen a la empresa **sin número RMA no se aceptarán** y se enviarán de vuelta a expensas del remitente.

LISTA DE PIEZAS DE REPUESTO

Para obtener piezas de repuesto, llame a nuestro Departamento de Servicio al Cliente al 1-866-235-5112, 8:00 a. m. – 5:00 p. m., hora estándar del centro, de lunes a viernes o haga su pedido en línea en www.arbluclean.com



PIEZA	DESCRIPCIÓN	PIEZA N.º
A	Tanque de detergente (28 onzas)	PW4220020
B	Manguera	PW4220740
C	Pistola rociadora	PW50968
D	Boquilla de la lanza alta/baja	PW4220010
E	Boquilla de la lanza turbo	PW50976
F	Adaptador de manguera de jardín QC	PW3082731

PIEZA	DESCRIPCIÓN	PIEZA N.º
G	Filtro de la conexión rápida transparente	PW3082130
H	Ensamble del GFCl	PW4221160
I	Kit de empaque de anillo	PW909104K
J	Funda de la pistola	PW4220040
K	Bandeja de la boquilla	PW4220050

Impreso en China

