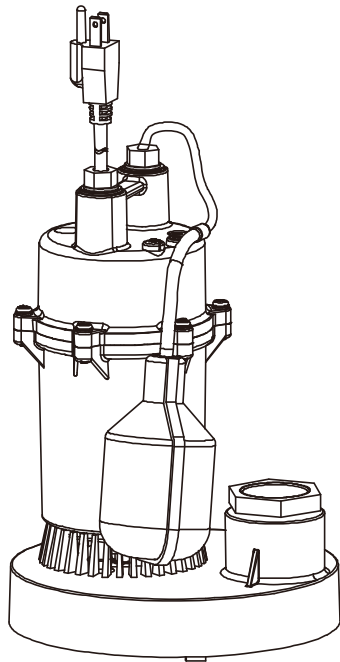




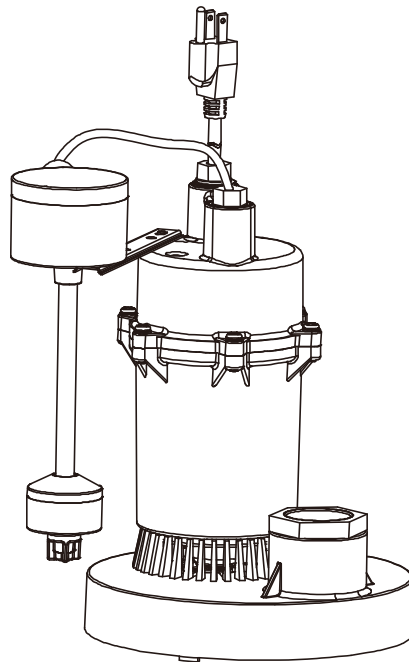
SKU # 1001093932, 1001093909
1001093950, 1001093925
Model # SBA025BC, SBA033BC
SBA033V1, SBA050BC

USE AND CARE GUIDE

SUBMERSIBLE SUMP PUMP



Tethered Switch SKU # 1001093932
SKU # 1001093909 SKU # 1001093925



Vertical Switch SKU # 1001093950

Questions, problems, missing parts? Before returning to the store call
Everbilt Customer Service
8 a.m. - 6 p.m., EST, Monday-Friday

1-844-241-5521

HOMEDEPOT.COM

Rev. 05/20/17

THANK YOU

We appreciate the trust and confidence you have placed in Everbilt through the purchase of this submersible sump pump. We strive to continually create quality products designed to enhance your home. Visit us online to see our full line of products available for your home improvement needs. Thank you for choosing Everbilt!

Table of Contents

| | | | |
|-------------------------|---|-------------------------|---|
| Table of Contents..... | 2 | Installation | 6 |
| Performance | 2 | Operation | 7 |
| Safety Information..... | 2 | Care and Cleaning | 8 |
| Warranty | 3 | Troubleshooting | 9 |
| Pre-Installation | 4 | | |

Performance

| SKU | HP | GPH of Water @ Total Feet Of Lift | | | | | Max. Lift |
|------------------------|-----|-----------------------------------|-------|--------|--------|--------|-----------|
| | | 0 ft. | 5 ft. | 10 ft. | 15 ft. | 20 ft. | |
| 1001093932 | 1/4 | 3000 | 2700 | 2400 | 1700 | 1000 | 22 ft. |
| 1001093909, 1001093950 | 1/3 | 3400 | 3150 | 2800 | 2000 | 1400 | 26 ft. |
| 1001093925 | 1/2 | 3800 | 3500 | 3200 | 2500 | 1800 | 27 ft. |

Safety Information



DANGER: Do not pump flammable or explosive liquids such as oil, gasoline, kerosene, ethanol, etc. Do not use in the presence of flammable or explosive vapors. Using this pump with or near flammable liquids can cause an explosion or fire, resulting in property damage, serious personal injury, and/or death.



DANGER: ALWAYS disconnect the power to the pump before servicing.



DANGER: Do not touch the motor housing during operation. The motor is designed to operate at high temperatures. Do not disassemble the motor housing.



DANGER: Do not handle the pump or pump motor with wet hands or when standing on a wet or damp surface, or in water before disconnecting the power.



WARNING: Release all pressure and drain all water from the system before servicing any component.



WARNING: Secure the discharge line before starting the pump. An unsecured discharge line will whip, possibly causing personal injury, and/or property damage.



WARNING: Extension cords may not deliver sufficient voltage to the pump motor. Extension cords present a life threatening safety hazard if the insulation becomes damaged or the connection ends fall into water. If receptacle is not within reach of the pump's power cord, contact a qualified licensed electrician to install a new receptacle.



WARNING: Wear safety goggles at all times when working with pumps.



WARNING: This unit is designed only for use on 115 volts (single phase), 60 Hz, and is equipped with an approved 3-conductor cord and 3-prong grounded plug. Do not remove the ground pin under any circumstances. The 3-prong plug must be directly inserted into a properly installed and grounded 3-prong, grounding-type receptacle. Do not use this pump with a 2-prong wall outlet. Replace the 2-prong outlet with a properly grounded 3-prong receptacle (a GFCI outlet) installed in accordance with the National Electrical Code and local codes and ordinances. All wiring should be performed by a qualified electrician.



WARNING: Protect the electrical cord from sharp objects, hot surfaces, oil, and chemicals. Avoid kinking the cord. Do not use damaged or worn cords.



WARNING: Failure to comply with the instruction and designed operation of this unit may void the warranty. **ATTEMPTING TO USE ADAMAGED PUMP** can result in property damage, serious personal injury, and/or death.



WARNING: Ensure that the electrical circuit to the pump is protected by a 15 Amp fuse or circuit breaker.



CAUTION: Do not lift the pump by the power cord.

Safety Information (continued)



CAUTION: Know the pump and its applications, limitations, and potential hazards.



CAUTION: Secure the pump to a solid base. This will aid in keeping the pump in a vertical orientation. This is critical in keeping the pump operating at maximum efficiency. It will also help prevent the pump from clogging resulting in premature failure.



CAUTION: Periodically inspect the pump and system components to ensure the pump suction screen is free of mud, sand, and debris. Disconnect the pump from the power supply before inspecting.



CAUTION: Follow all local electrical and safety codes, along with the National Electrical Code (NEC). In addition, all Occupational Safety and Health Administration (OSHA) guidelines must be followed.



IMPORTANT: Ensure the electrical power source is adequate for the requirements of the pump.



IMPORTANT: This pump is made of high-strength, corrosion-resistant materials. It will provide trouble-free service for a long time when properly installed, maintained, and used. However, inadequate electrical power to the pump, dirt, or debris may cause the pump to fail. Please carefully read the manual and follow the instructions regarding common pump problems and remedies.



IMPORTANT: The motor of this pump has a thermal protector that will trip if the motor becomes too hot. The protector will reset itself once the motor cools down and an acceptable temperature has been reached. The pump may start unexpectedly if it is plugged in.

Warranty

The manufacturer warrants the products to be free from defects in materials and workmanship for a period of one year from date of purchase. This warranty applies only to the original consumer purchaser and only to products used in normal use and service. If within one year this product is found upon examination by the manufacturer to be defective in materials or workmanship, the manufacturer's only obligation, and your exclusive remedy, is the repair or replacement of the product at the manufacturer's discretion, provided that the product has not been damaged through misuse, abuse, accident, modifications, alterations, neglect or mishandling. Your original receipt of purchase is required to determine warranty eligibility.

The purchaser must pay all labor and shipping charges necessary to replace the product covered by this warranty.

This Limited Warranty does not cover products which have been damaged as a result of an accident, misuse, abuse, negligence, alteration, improper installation or maintenance, or failure to operate in accordance with the instructions supplied with the products, or operational failures caused by corrosion, rust, or other foreign materials in the system.

Requests for service under this warranty shall be made by returning the defective product to the manufacturer as soon as possible after the discovery of any alleged defect. The manufacturer will subsequently take corrective action as promptly as reasonably possible.

The manufacturer does not warrant and especially disclaims any warranty, whether express or implied, of fitness for a particular purpose, other than the warranty contained herein. This is the exclusive remedy and any liability for any and all indirect or consequential damages or expenses whatsoever is excluded.

Some states do not allow the exclusion or limitation of incidental or consequential damages or limitations on how long an implied warranty lasts, so the above limitations or exclusions may not apply to you. This warranty gives you specific legal rights and you may also have other rights which vary from state to state.

For Professional Technical Support call 1-844-241-5521 or visit HOMEDEPOT.COM.

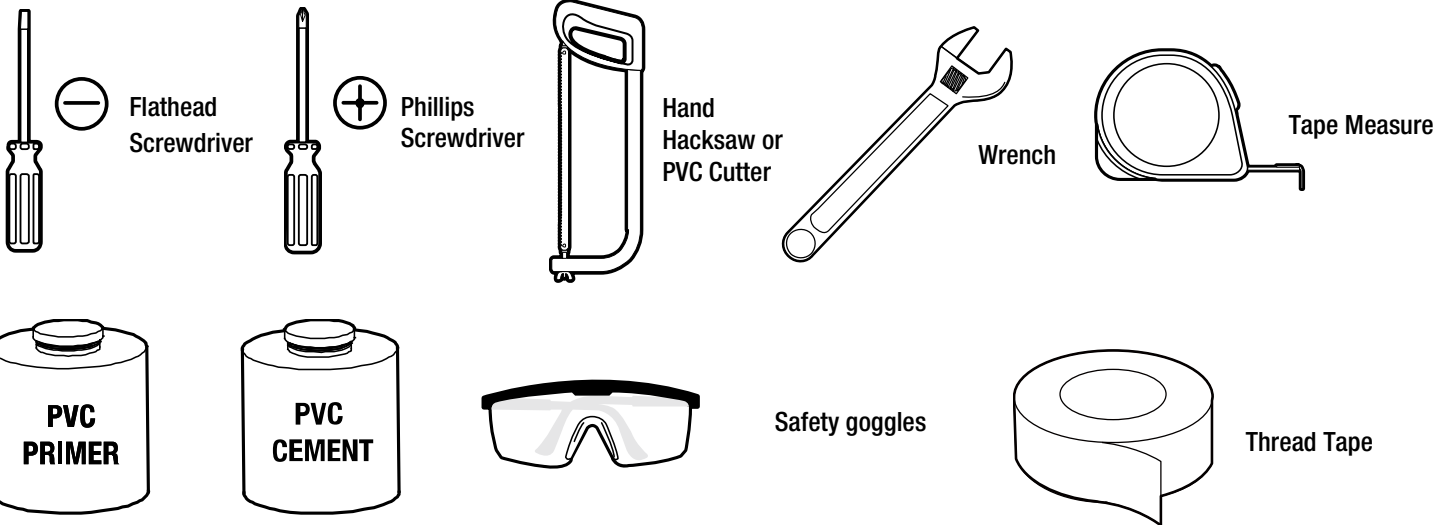
For warranty registration please go to www.gppumpsus.com

Pre-Installation

APPLICATION

- ❑ This submersible sump pump is designed for home sump applications. Use this pump only for pumping water.
- ❑ This unit is not designed as a waterfall or fountain pump, or for applications involving salt water or brine! Use with waterfalls, fountains, salt water or brine will void warranty.
- ❑ Do not use where water recirculates.
- ❑ Not designed for use as a swimming pool drainer.

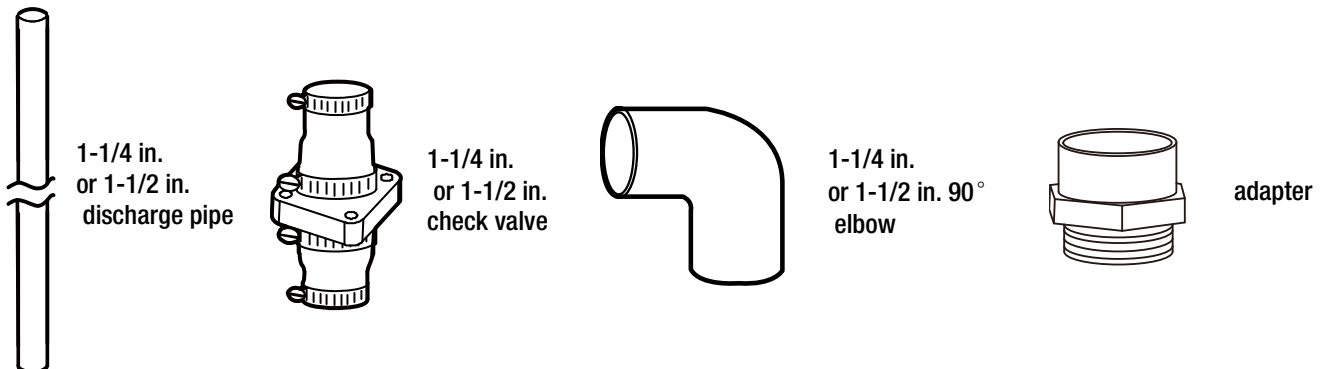
TOOLS REQUIRED



MATERIALS REQUIRED (NOT INCLUDED)



NOTE: Parts shown below not to scale.

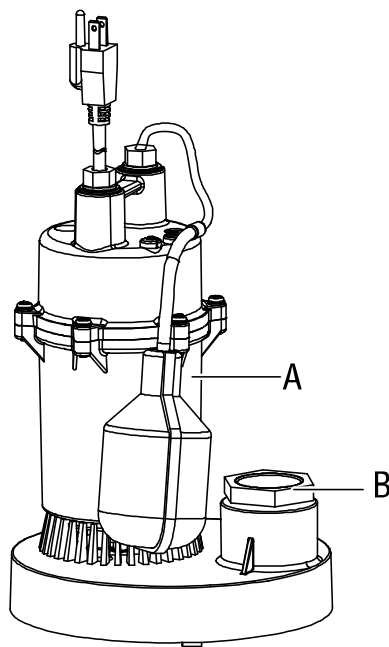


Pre-Installation(continued)

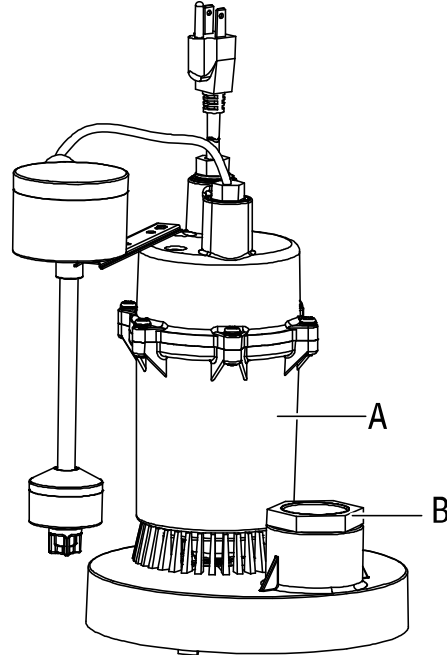
PACKAGE CONTENTS



NOTE: The adapter is not shown to scale.



Tethered Switch SKU # 1001093932
SKU # 1001093909 SKU # 1001093925



Vertical Switch SKU # 1001093950

| Part | Description |
|------|---|
| A | Pump |
| B | Adapter (1-1/2 in. MNPT X 1-1/4 in. FNPT) |

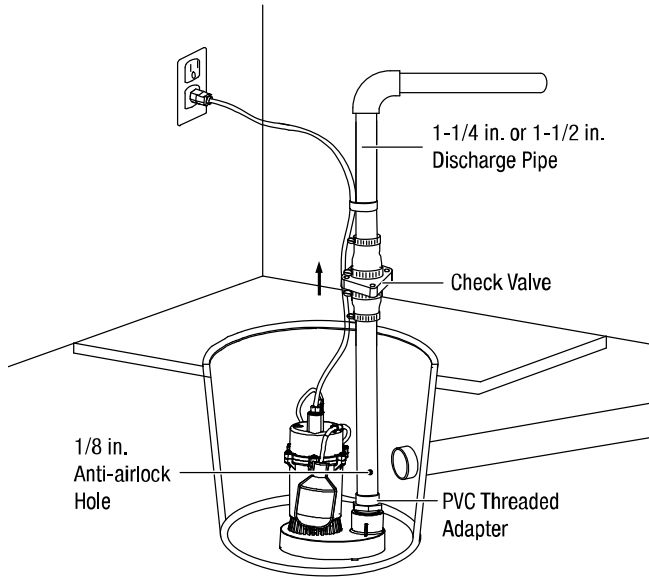
SPECIFICATIONS

| | |
|---|--|
| Power supply | 115V, 60 HZ., 15 Amp Circuit |
| Liquid temp. range | 32°F to 95°F (0°- 35°C) |
| Discharge size | 1-1/2 in. FNPT or 1-1/4 in. FNPT (with adapter) |
| Sump basin | Min. 14 in. (356 mm) diameter, 18 in. (457 mm) depth for tethered switch Min. 10 in. (254 mm) diameter, 14 in. (356 mm) depth for vertical switch |
| Switch on/off (1001093932, 1001093909, 1001093925) | On: 14.2 in.(361 mm), Off: 5.9 in.(150 mm) |
| Switch on/off (1001093950) | On: 8.4 in.(213 mm), Off: 4 in.(101 mm) |

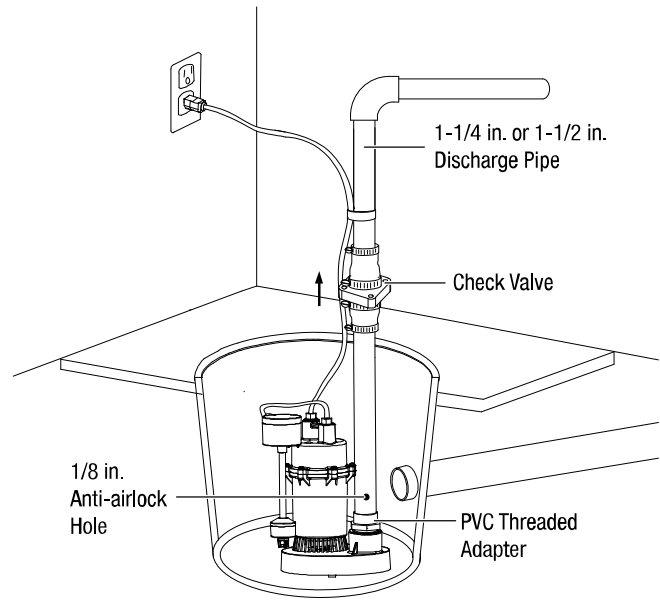


NOTE: Do not reduce size of discharge pipe or hose below 1-1/4 in. diameter. If discharge is too small, pump will overheat and fail prematurely. This pump is designed for use in a residential sump only. Only pump water with this pump.

Installation



Tethered Switch SKU # 1001093932
SKU # 1001093909 SKU # 1001093925



Vertical Switch SKU # 1001093950

1. Install the pump in sump pit with minimum diameter of 10 in. (254mm) for models equipped with vertical switch and 14 in. (356 mm) for tethered float switch models. The sump pit must have a minimum depth of 14 in. (356mm) for vertical switch models and 18 in. (457mm) for tethered switch models. Construct the sump pit of tile, concrete, steel or plastic. Check local codes for approved materials and for proper installation.
2. Install the pump in a pit so that the switch operating mechanism has maximum possible clearance.
3. The pump should not be installed on clay, earth or sand surfaces. Clean the sump pit of small stones and gravel which could clog the pump. Keep the pump inlet screen clear.



NOTE: Do not use ordinary pipe joint compound on plastic pipe. Pipe joint compound can attack plastics.

4. Install discharge plumbing. Use rigid plastic pipe and wrap threads with PTFE pipe thread sealant tape. Screw pipe into the pump hand tight plus 1-1/2 turns.



CAUTION: Risk of flooding. Can cause personal injury and/or property damage. If a flexible discharge hose is used, make sure the pump is secured in the sump to prevent movement. Failure to secure the pump may allow pump movement, switch interference and prevent the pump from starting or stopping.

5. To reduce motor noise and vibrations, a short length of rubber hose (1-7/8 in. (47.6mm) I.D., e.g. radiator hose) can be connected into the discharge line near the pump using suitable clamps.
6. Install an in-line check valve or an in-pump check valve to prevent flow backwards through the pump when the pump shuts off.



NOTE: If your check valve is not equipped with an air bleed hole to prevent air locking the pump, drill a 1/8 in. (3.2 mm) hole in the discharge pipe just above where the discharge pipe screws into the pump discharge. Be sure the hole is below the waterline and the check valve to prevent air locks.

Installation (continued)

7. Power Supply: Pump is designed for 115 V, 60 Hz, operation and requires a minimum 15 amp individual branch circuit. Plug the power plug into a 115V GFCI power outlet.



WARNING: Risk of electric shock. Can shock, burn or kill. Pump should always be electrically grounded to a suitable electrical ground such as a grounded water pipe or a properly grounded metallic raceway, or ground wire system. Do not cut off the round ground pin.

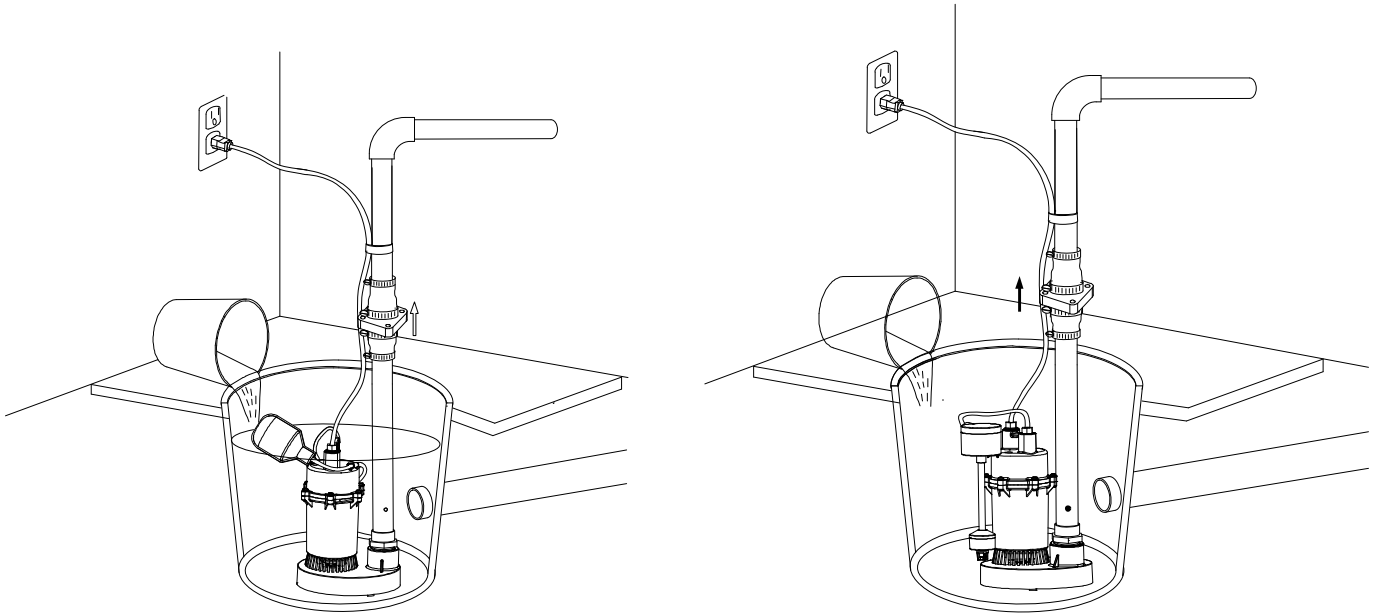
8. If the pump discharge line is exposed to outside subfreezing atmosphere, a portion of line exposed must be installed so any water remaining in the pipe will drain to the outfall by gravity. Failure to do this can cause water trapped in the discharge to freeze which could result in damage to the pump.

9. After the piping and check valve have been installed, the unit is ready for operation.

10. Check the pump operation by filling the sump with water and observing pump operation through one complete cycle.



CAUTION: Risk of flooding. Can cause personal injury and/or property damage. Failure to make this operational check may lead to improper operation, premature failure, and flooding.



Operation



WARNING: Risk of electric shock. Can shock, burn or kill. Do not handle a pump or pump motor with wet hands or when standing on a wet or damp surface, or in water.

1. The shaft seal depends on water for lubrication. Do not operate the pump unless it is submerged in water as the seal may be damaged if allowed to run dry.
2. The motor is equipped with an automatic reset thermal protector. If temperature in the motor should rise unduly, the switch will cut off all power before damage can be done to the motor. When the motor has cooled sufficiently, the switch will reset automatically and restart the motor. If the protector trips repeatedly, the pump should be removed and checked. Low voltage, long extension cords, clogged impeller, very low head or lift, or a plugged or frozen discharge pipe, etc., could cause the protector to trip.

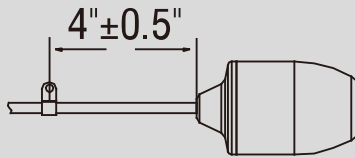
Operation (continued)

3. The pump will not remove all water. If operating a pump manually, and suddenly no water comes out of the discharge hose, shut off the unit immediately. The water level is probably very low and the unit has broken prime.



WARNING: Risk of electric shock. Can shock, burn or kill. Before attempting to check why the unit has stopped operating, disconnect power from the unit.

CAUTION: Do Not Change the preset tether length.



Care and Cleaning



CAUTION: Always use the handle to lift the pump. Never use the power cord to lift the pump. To avoid skin burns, unplug the pump and allow time for it to cool after periods of extended use.

Do

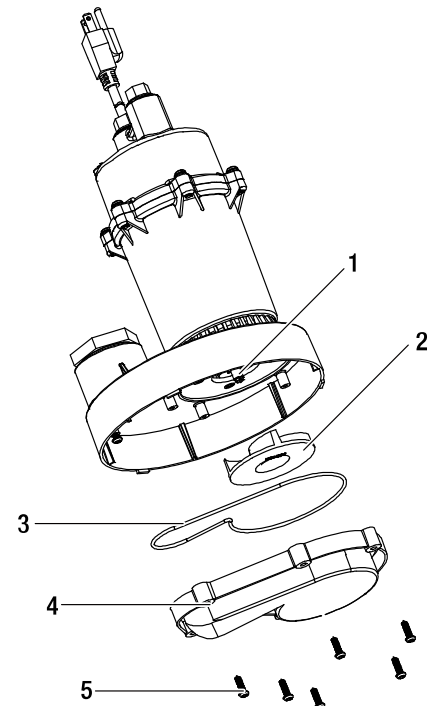
- When the power is disconnected, inspect the pump suction screen and remove all debris, then plug the pump back into the grounded (GFCI) outlet.

Do Not

- Do not disassemble the motor housing. This motor has NO repairable internal parts, and disassembly may cause leakage or dangerous electrical wiring issues.
- Do not lift up the pump by the power cord.

To clean a pump clogged with debris:

- Unplug the pump from electrical power.
- Unscrew the stainless screws (5), and remove the volute (4).
- If necessary use a flathead screwdriver to hold the shaft (1), then turn the impeller (2) counterclockwise to release the impeller (2).
- Remove debris from around the shaft (1) and the impeller (2).
- Reassemble the pump.



Troubleshooting

| Problem | Possible Cause | Corrective Action |
|---|--|--|
| The pump does not start or run. | <ol style="list-style-type: none"> 1. No power. 2. The impeller is blocked. 3. The float switch failed. 4. The motor failed. | <ol style="list-style-type: none"> 1. Reset GFCI switch/Reset the breaker/Secure the plug/Clean the plug prongs. 2. Remove the debris around the impeller. 3. Replace the float switch. 4. Replace the pump. |
| The pump operates but pumps little or no water. | <ol style="list-style-type: none"> 1. The screen is blocked. 2. Debris is caught in the impeller or discharge. 3. The impeller is broken. | <ol style="list-style-type: none"> 1. Clean the screen. 2. Remove the debris. 3. Replace the impeller. |
| The pump starts and stops too often. | <ol style="list-style-type: none"> 1. There is a backflow of water from the piping or the check valve is leaking. 2. The float switch is stuck. 3. The float switch failed. | <ol style="list-style-type: none"> 1. Install a check valve or replace the check valve. 2. Clean the float switch. 3. Replace the float switch. |
| The pump will not shut off. | <ol style="list-style-type: none"> 1. The float switch is tangled. 2. The float switch failed. | <ol style="list-style-type: none"> 1. Reposition the pump and make sure the switch moves freely. 2. Replace the float switch. |



Questions, problems, missing parts? Before returning to the store call
Everbilt Customer Service
8 a.m. - 6 p.m., EST, Monday-Friday

1-844-241-5521

HOMEDEPOT.COM