

# Awning

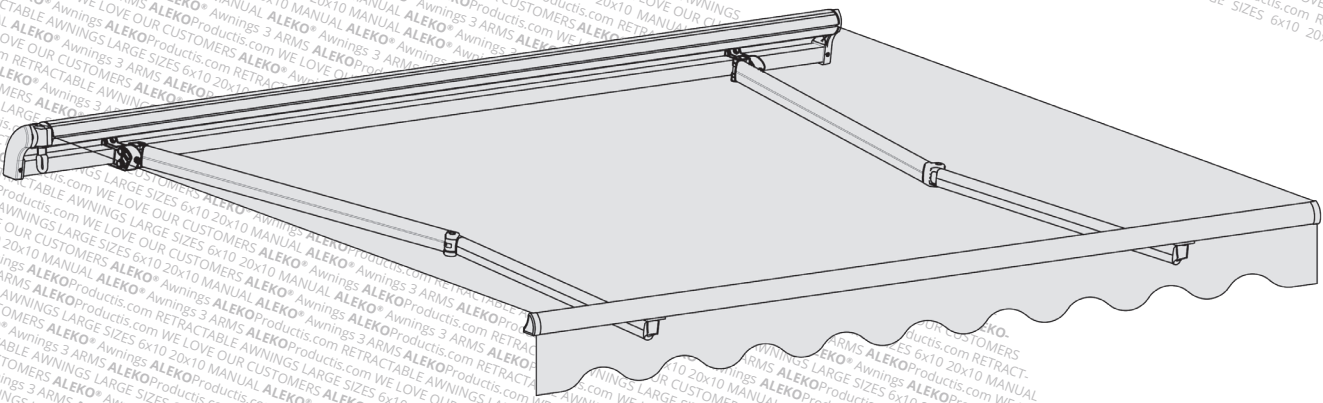
## Installation Guide



**ALEKO®**  
WWW.ALEKOPRODUCTS.COM

# Awnings Installation Guide

SIZES 16X10 20X10



**ALEKO®**

# Victoria Series

Retractable Awning

## INSTALLATION AND OPERATION OF 3-ARM UNITS

### TABLE OF CONTENTS

- Introduction ..... 4
- Warnings ..... 4
- Required Tools ..... 4
- Parts Diagram ..... 5
- Assembly Step One: Preparing Your Work Space ..... 6
- Assembly Step Two: Roller Tube Connection ..... 6
- Assembly Step Three: Front Bar Assembly ..... 7
- Assembly Step Four: Torsion Bar Assembly ..... 8
- Assembly Step Five: Fabric Assembly ..... 8
- Assembly Step Six: Front Bar Wrist Support Assembly ..... 9
- Assembly Step Seven: Left Roller Support Assembly ..... 10
- Assembly Step Eight: Center Support Assembly ..... 10
- Assembly Step Nine: Assembling the Entire Awning ..... 10
- Assembly Step Ten: Setting Awning Position ..... 11
- Assembly Step Eleven: Finishing Awning Assembly ..... 12
- Installation: Notes About Wall Mounting ..... 12
- Installation Step 1: Measuring the Mount Site ..... 13
- Installation Step 2: Drilling the Bolt Holes ..... 14
- Installation Step 3: Preparing for Mounting ..... 14
- Installation Step 4: Mounting the Wall Brackets ..... 15
- Installation Step 5: Mounting the Awning ..... 15
- Optional Installation: Adjusting the Awning Pitch/Angle ..... 15
- Optional Installation: Motor Installation ..... 18



## INTRODUCTION

Thank you for purchasing ALEKO's Retractable Awning! We hope you will find joy in our product for many years to come.

To ensure your personal safety during installation and to get the most out of your investment, please read this entire manual before beginning the installation process. If you feel that this process is too difficult to do on your own, we advise that you seek assistance from a local building or home improvement contractor.



**WARNING** Improper installation and operation of your awning can result in severe personal injury as well as product failure not covered by warranty. Please follow all instructions carefully or contact technical support for assistance.

We believe that installation can be a simple, streamlined process if you follow the instructions in this manual. To accompany these written instructions, ALEKO has a Youtube channel with assembly and installation tutorials, demos, and more. Go to: [www.youtube.com/AlekoProducts](http://www.youtube.com/AlekoProducts).

Please contact our customer support line for help any step of the way. If you need assistance with assembly, have missing or defective parts, or any other issues, please email us at [Sales@AlekoProducts.com](mailto:Sales@AlekoProducts.com) or give us a call Monday through Friday, 7am-6pm PST at **+1 (888) 246-8596**.

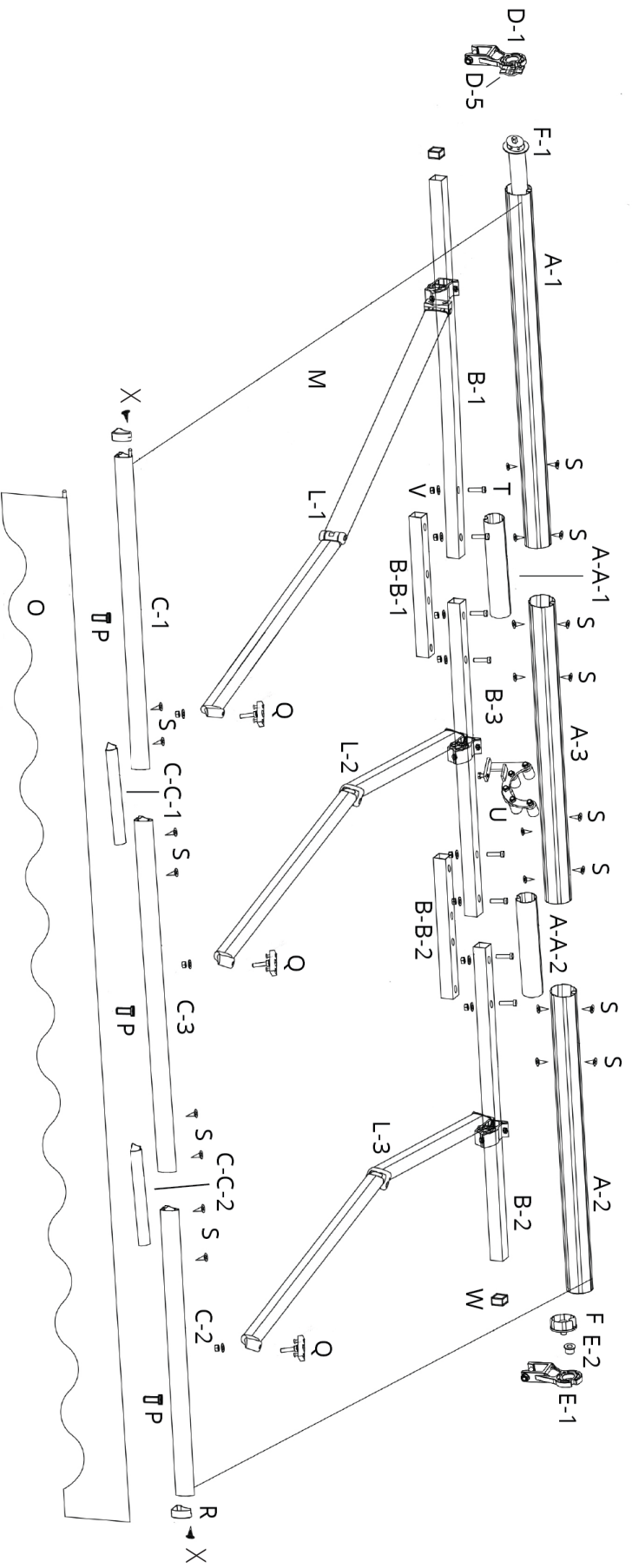
## WARNINGS

- ⚠ Failure to follow these instructions can result in a broken product or personal injury. Please be attentive to each step.
- ⚠ Open the awning packaging carefully to avoid damaging the product or yourself.
- ⚠ DO NOT remove the safety wrap that secures the awning arms until instructed to do so. The awning arms will spring open and **can cause serious injury** if handled inappropriately.
- ⚠ Be sure to install ALL screws for maximum security.
- ⚠ Never install your awning in high, windy places. The awning could fall and cause injury or property damage.
- ⚠ Do not install the awning in a place that receives excessive vibrations.
- ⚠ Do not install the awning in places with high temperatures, such as walls near furnaces.
- ⚠ Never place heavy items on the awning frame. This can cause it to fall down.
- ⚠ Close the awning in storm conditions, such as excessive wind and rain.
- ⚠ Two adults are required for successful and safe installation.

## TOOLS REQUIRED FOR ASSEMBLY

1. Measuring tape
2. Non-metallic mallet
3. Phillips screw driver
4. Power drill with 19 millimeter drill bit
5. 19 millimeter hex key
6. Ribbon tube spanner
7. Chalk line leveler
8. *Optional - (to change awning pitch):* 17mm wrench & 14mm wrench (M10 and M12)
9. Two ladders or very sturdy chairs

# PARTS DIAGRAM



- |                                      |                                    |                                     |
|--------------------------------------|------------------------------------|-------------------------------------|
| A-1. Roller (left)                   | C-3. Front bar (middle)            | M. Fabric (large piece)             |
| A-2. Roller (right)                  | C-C-1. Front bar connector (left)  | O. Valence fabric (small piece)     |
| A-3. Roller (middle)                 | C-C-2. Front bar connector (right) | P. Blocker                          |
| A-A-1. Roller connector (left)       | D-1. Left roller support           | Q. Arm bar link                     |
| A-A-2. Roller connector (right)      | D-5. Metal bracket for motor       | R. Cover for front bar              |
| B-1. Torsion bar (left)              | E-1. Right roller support          | S. Screws M4 x 15                   |
| B-2. Torsion bar (right)             | E-2. Right shaft cover             | T. Bolt M6 x 45                     |
| B-3. Torsion bar (middle)            | F. Round shaft                     | U. Center support                   |
| B-B-1. Torsion bar connector (left)  | F-1. Motor                         | V. Nuts and washers                 |
| B-B-2. Torsion bar connector (right) | L-1. Left arm                      | W. Torsion bar cover                |
| C-1. Front bar (left)                | L-2. Middle arm                    | X. Long screws for front bar covers |
| C-2. Front bar (right)               | L-3. Right arm                     |                                     |

## STEP 1: Preparing Your Work Space

1. Before you begin, it is best to lay out all necessary tools to make setup smoother. Consult the required tools section for the list of necessary tools.

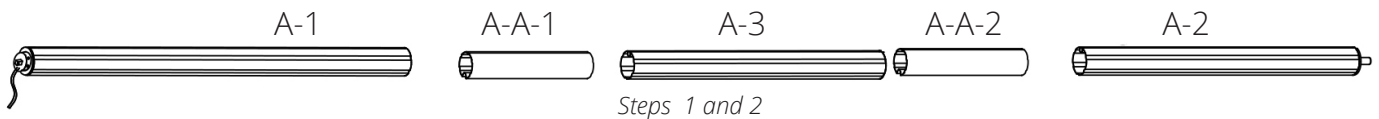


**WARNING** DO NOT remove the safety wrap that holds the awning arms down. Serious injury can result from removing the wrap too soon.

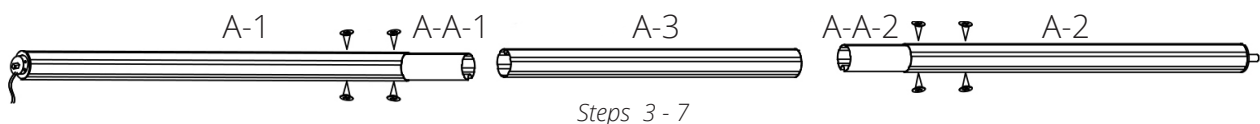
2. Open the awning box and unwrap each piece carefully to avoid damaging the product.
3. Lay out each piece of the awning to ensure that all pieces are present. Consult the parts diagram for detailed information regarding parts.
4. Open the small, inner box that contains the small parts and lay them out as well.

## STEP 2: Connecting Roller Tubes

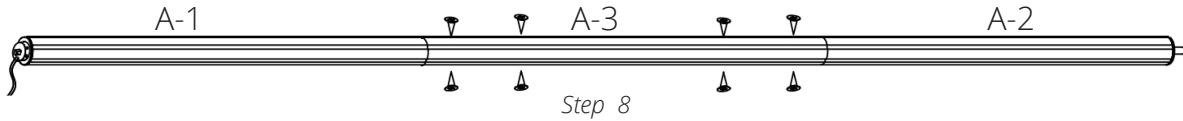
1. Gather the three long, silver roller tubes (**A-1**, **A-2**, **A-3**) and lay them in a line.
2. Also gather the two short, silver connector tubes (**A-A-1**, **A-A-2**) and lay one between **A-1** and **A-3**, and the other between **A-3** and **A-2**, as seen in the diagram below.



3. Insert the connector tube (**A-A-1**) into the interior end of the roller tube on the left (**A-1**). If insertion is difficult, use a mallet to tap it into place. One inserted, screw it into place.
4. Repeat this process on the other side; insert the other connector tube (**A-A-2**) into the interior end of the roller tube on the right (**A-2**).
5. At this time, the two connector tubes (**A-A-1**, **A-A-2**) will be connected to each of the outer roller tubes (**A-1**, **A-2**) and secured with screws. A portion of the connector pieces will stick out of the roller tubes.
6. Now, connect the third middle roller tube (**A-3**) to the portion of the connector tube (**A-A-1**) that is sticking out and screw it into place, just like in step 3.
7. Repeat this process on the other side; connect the other side of the roller tube (**A-3**) to the remaining connector tube (**A-A-2**).

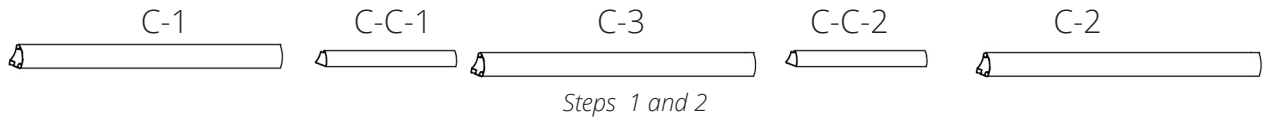


- At this time, you will have one full-length roller, with all three roller tubes connected and screwed securely into place, as seen in the diagram below.

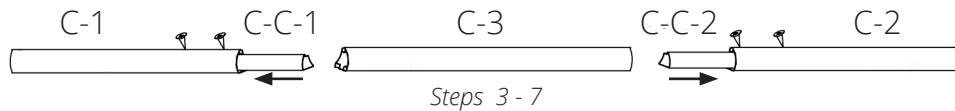


### STEP 3: Connecting Front Bars

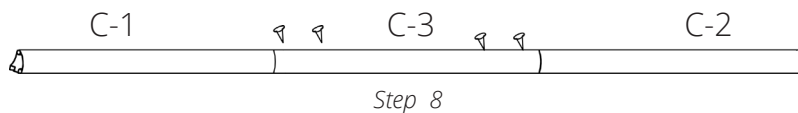
- Gather the three long, wedge-shaped front bars (**C-1**, **C-2**, **C-3**) and lay them in a line.
- Also gather the two short, wedge-shaped connection pieces (**C-C-1**, **C-C-2**) and lay one between **C-1** and **C-3**, and the other between **C-3** and **C-2**, as seen in the diagram below.



- Insert the connector piece (**C-C-1**) into the interior end of the front bar on the left (**C-1**). If insertion is difficult, use a mallet to tap it into place. Once inserted, screw it into place.
- Repeat this process on the other side; insert the other connector piece (**C-C-2**) into the interior end of the front bar on the right (**C-2**).
- At this time, the connector pieces (**C-C-1**, **C-C-2**) will be connected to each of the outer front bars (**C-1**, **C-2**) and secured with screws. A portion of the connector pieces will stick out of the front bars.
- Now, connect the third remaining front bar (**C-3**) to the other side of the connector piece on the left (**C-C-1**) and screw it into place, just like in step 3.
- Repeat this process on the other side; connect the other front bar (**C-3**) to the remaining connector piece (**C-C-2**).



- At this time, you will have one full-length front bar, with all three front bar pieces connected and screwed securely into place.



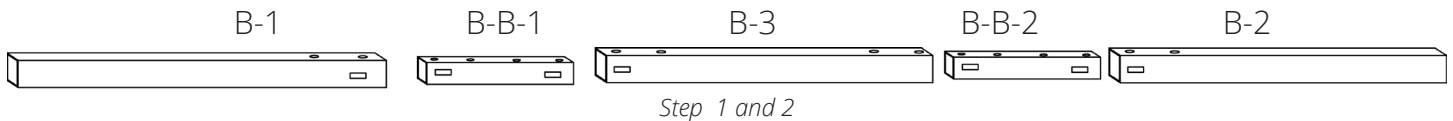
## STEP 4: Connecting Torsion Bars

1. Gather the three white torsion bars (**B-1**, **B-2**, **B-3**) and lay them in a line.

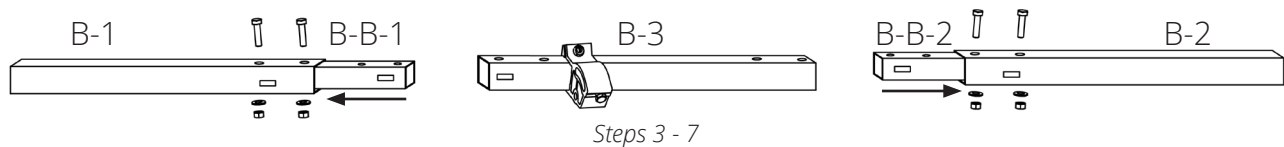


**WARNING DO NOT REMOVE THE SAFETY SLEEVES THAT HOLD THE ARMS DOWN!**

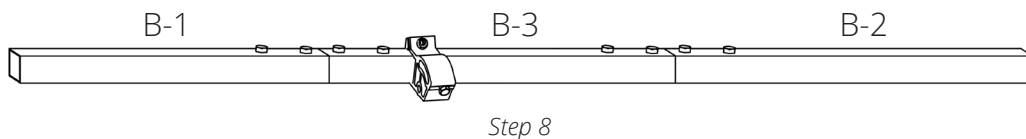
2. Also gather the two short, rectangular connection pieces (**B-B-1**, **B-B-2**) and lay one between **B-1** and **B-3**, and the other between **B-3** and **B-2**, as seen in the diagram below.



3. Insert the connector piece (**B-B-1**) into the interior end of the torsion bar on the left (**B-1**). If insertion is difficult, use a mallet to tap it into place. Once inserted, screw it into place.
4. Repeat this process on the other side; insert the other connector piece (**B-B-2**) into the interior end of the torsion bar on the right (**B-2**).
5. At this time, the rectangular connector pieces (**B-B-1**, **B-B-2**) will be connected to each of the outer torsion bars (**B-1**, **B-2**) and secured with screws. A portion of the connector pieces will stick out of the torsion bars.
6. Now, connect the third remaining torsion bar (**B-3**) to the other side of the connector piece on the left (**B-B-1**) and screw it into place, just like in step 3.
7. Please repeat this process on the other side; connect the remaining torsion bar (**B-3**) to the remaining connector piece (**B-B-2**).



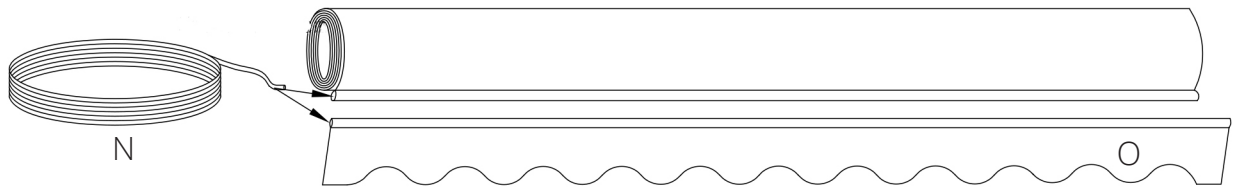
8. At this time, you will have one full-length torsion bar, with both arm pieces connected and screwed securely into their place.



## STEP 5: Fabric Assembly

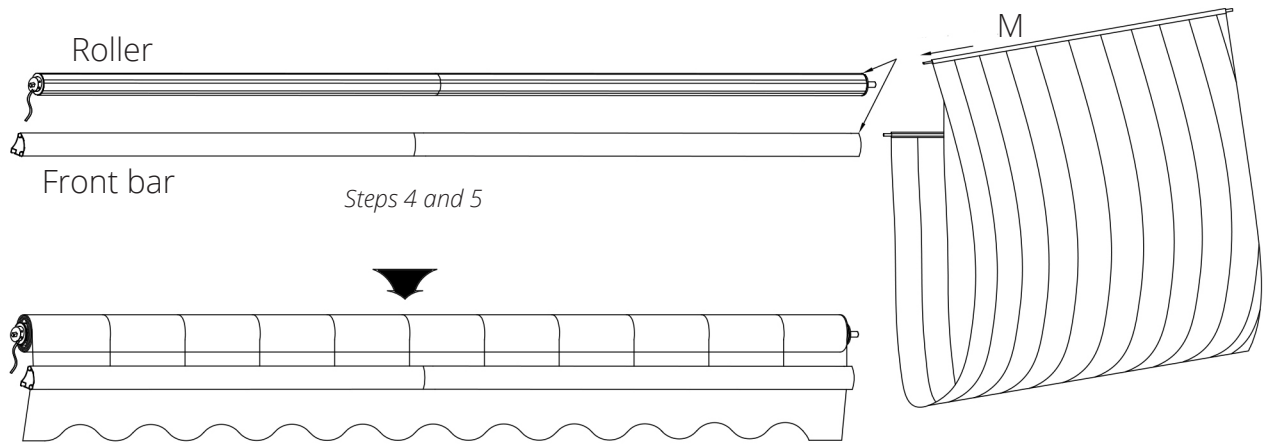
1. Open the fabric box carefully to ensure that the product is not damaged.
2. Unfold both pieces of awning fabric. You should have one large fabric piece (**M**) and a valence with a scalloped edge (**O**). You should also have three fabric liner cords, two thick and one thinner (**N**).
3. Thread the fabric liner, one thick and one thin, through both ends of the large awning fabric (**M**). This may be a slow process and is easiest with two people.





Steps 1, 2, 3

4. Once the liner is threaded through the large fabric, find the roller tube. Thread the fabric and its liner through the slot/notch in the roller tube all the way to the end. Note: the fabric has a front and a back. The back side has a hem, and should face downwards.
5. Now thread the other end of the awning fabric through the slot/notch in the front bar (wedge-shaped piece).
6. Once both sides of the large awning fabric are threaded, with one person on each side, pick up the roller tube.
7. Roll the awning fabric counterclockwise around the roller tube as tightly and evenly as possible.
8. Once fully rolled, place the roller tube back on the ground.
9. Finally, thread the valance (O) through the other slot/notch in the wedge-shaped front bar all the way to the end, as seen in the diagram.

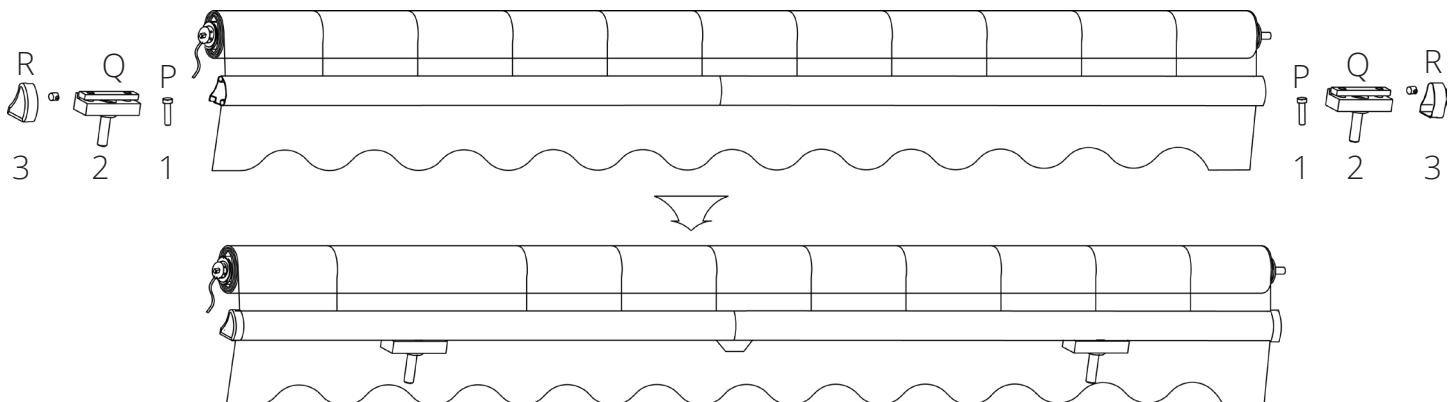


Steps 4 and 5

Steps 6 - 9

## STEP 6: Front Bar Wrist Support Assembly

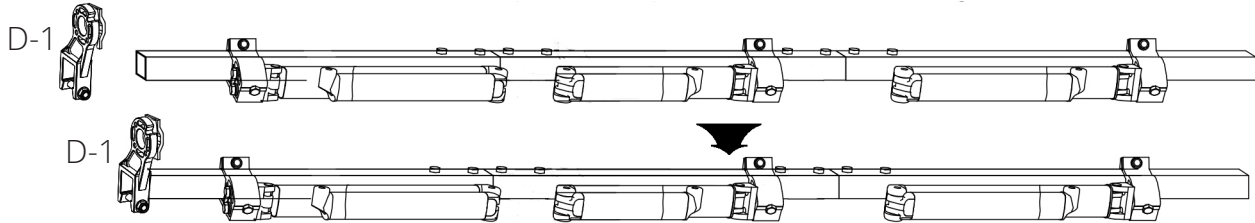
1. Slide the blocker (P) and the arm bar link (Q) into the wedge-shaped front bar through the large trough/slot.
2. Put both the left and right plastic covers (R) on each end of the front bar.
3. Tighten the screws on the covers to lock the fabric into position.



## STEP 7: Left Roller Support Assembly

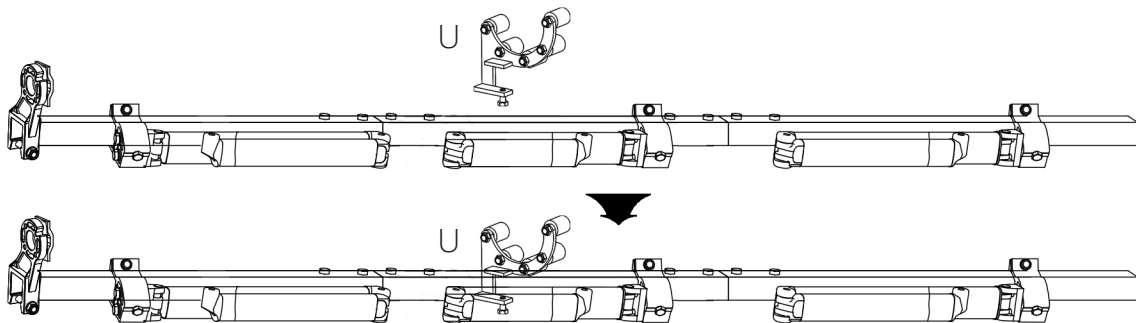
NOTE: Your awning will come with the roller support attached. Refer to this step if installing a replacement part. Otherwise, proceed to step 8.

1. With a mallet or hammer, tap the left roller support (**D-1**) with the motor bracket into the torsion bar.
2. Tighten the bolt inside of the roller support with a wrench.



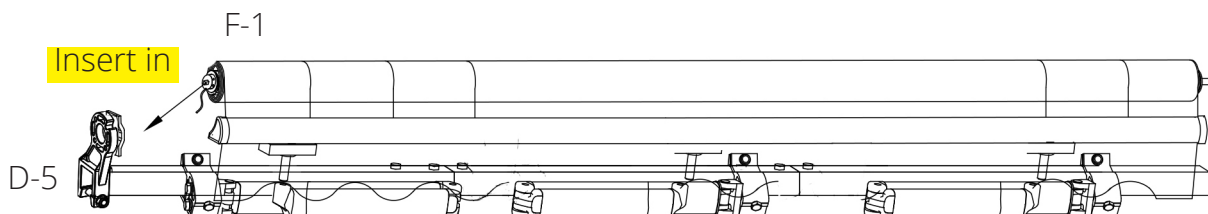
## STEP 8: Center Support Assembly

1. With a mallet or hammer, tap left roller supports (**U**) with the motor bracket into the torsion bar.
2. Tighten the bolt to secure the roller support.



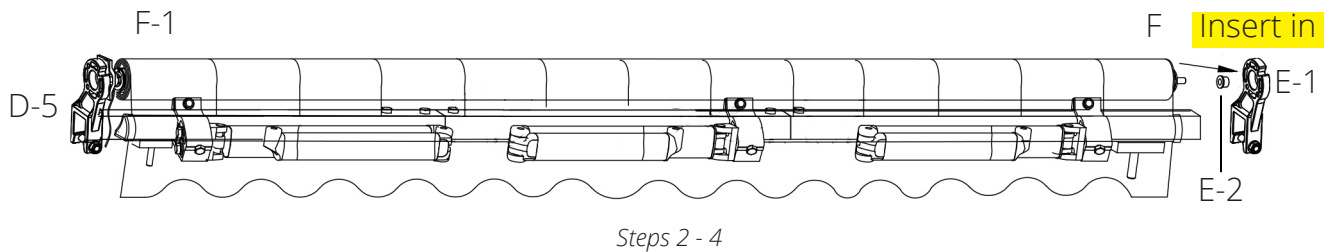
## STEP 9: Roller Support Assembly

1. Find the motor (**F-1**) located in the roller tube. Insert this into the motor bracket (**D-5**), as shown in step 1 on the diagram below.

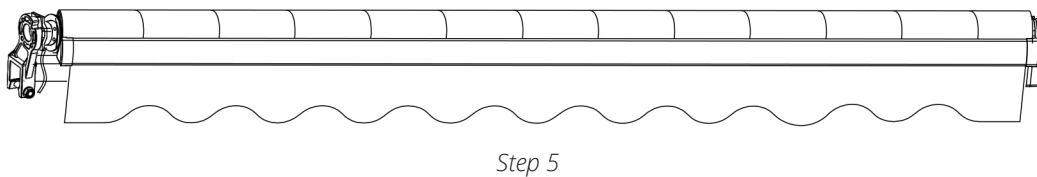


Step 1

- Using a mallet, knock the round shaft cover (E-2) into the right roller support (E-1).
- Now, link the roller support into the round shaft (F).
- Use a wrench to tighten the roller support.



- At this point, the roller tube and the roller support will be fully secured together, as shown on the diagram below.

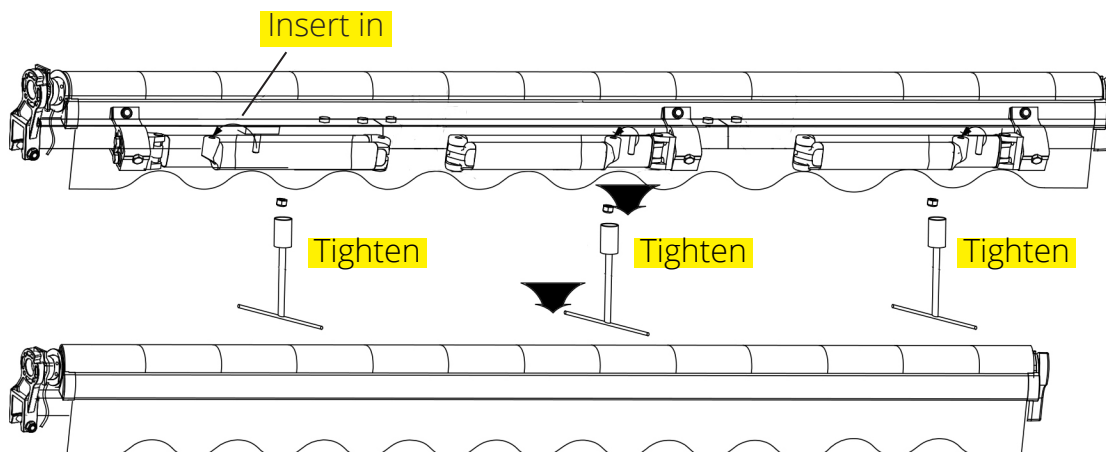


## STEP 10: Setting Awning Position



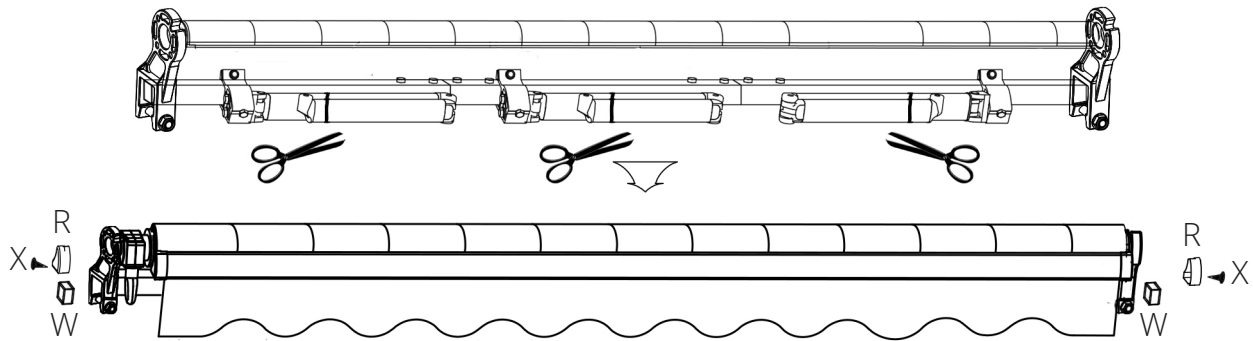
**WARNING** Be sure that the safety sleeves holding the two front bar arms are secured to the torsion bar. Failure to check this could result in injury.

- Move the blocker to the middle of the arms and fasten.
- Then, move the arm bar link until the front bar wrist support is connected through it.
- Align the front bar and the arm, and tighten the self locking nut upwardly with a screwdriver.
- Then, tighten the adjustable bolt up to 90% tight using a ribbon tube spanner (as seen below).



## STEP 11: Finishing Awning Assembly

1. At this point, it is safe to cut the safety sleeves that hold the arms and torsion bar down. Awning assembly is complete!



*If you find that the fabric wraps unevenly or that the two arms won't open together at the same time, look at the stability of the two arms. Solution: adjust the arm bar link's position on the front bar outwards, as necessary.*

2. Now, proceed to the wall mounting section.

## 🔨 INSTALLATION

### Notes About Wall Mounting

This awning can be secured to reinforced concrete, brick, and wood, however this awning kit only supplies screws suitable for mounting to brick and reinforced concrete walls.

If you wish to secure your awning to wood, please use carriage bolts of adequate length and of an appropriate diameter to secure the awning to wood beams. The bolt size depends on the size of wood; these can be purchased at a hardware store. We recommend a professional installer for the safest and most secure installation.

**Never attempt to secure the wall brackets to loose wall stones or any surfaces that are not absolutely firm!**



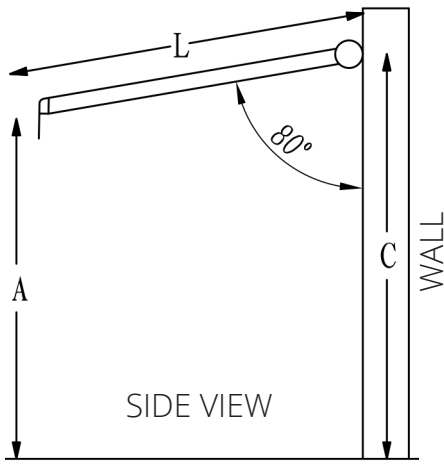
**CAUTION:** Proper location of the brackets is the most important aspect of the awning installation. It is critical that you fasten all the mounting brackets to studs, joists, headers or other major structural components.



**WARNING:** Failure to securely fasten all the brackets to the wall could result in the collapse of the awning and cause personal injury or death.

### Mounting Height

It is important to take the awning's drop area into consideration before bolting your wall mounts. If you would like to mount above a patio door, for example, please leave at least 8 inches above the door frame and be sure that the awning does not interfere with opening and closing the door. The drop angle can only be changed minimally, so take this into consideration when deciding where to place your awning.



We recommend that the awning surface make an angle of about 80 degrees to the wall when open.

- **Recommended Installation Height:** 8-12 feet.
- **The ideal drop angle (when fully extended) has already been set in the factory,** so you may not have to change the pitch/angle.
- **The awning has a drop** of 24 inches when at a slope, or 15 degrees.

#### CALCULATIONS:

You can use the following formula to calculate the appropriate angle.

$$C = A + 0.17 * L$$

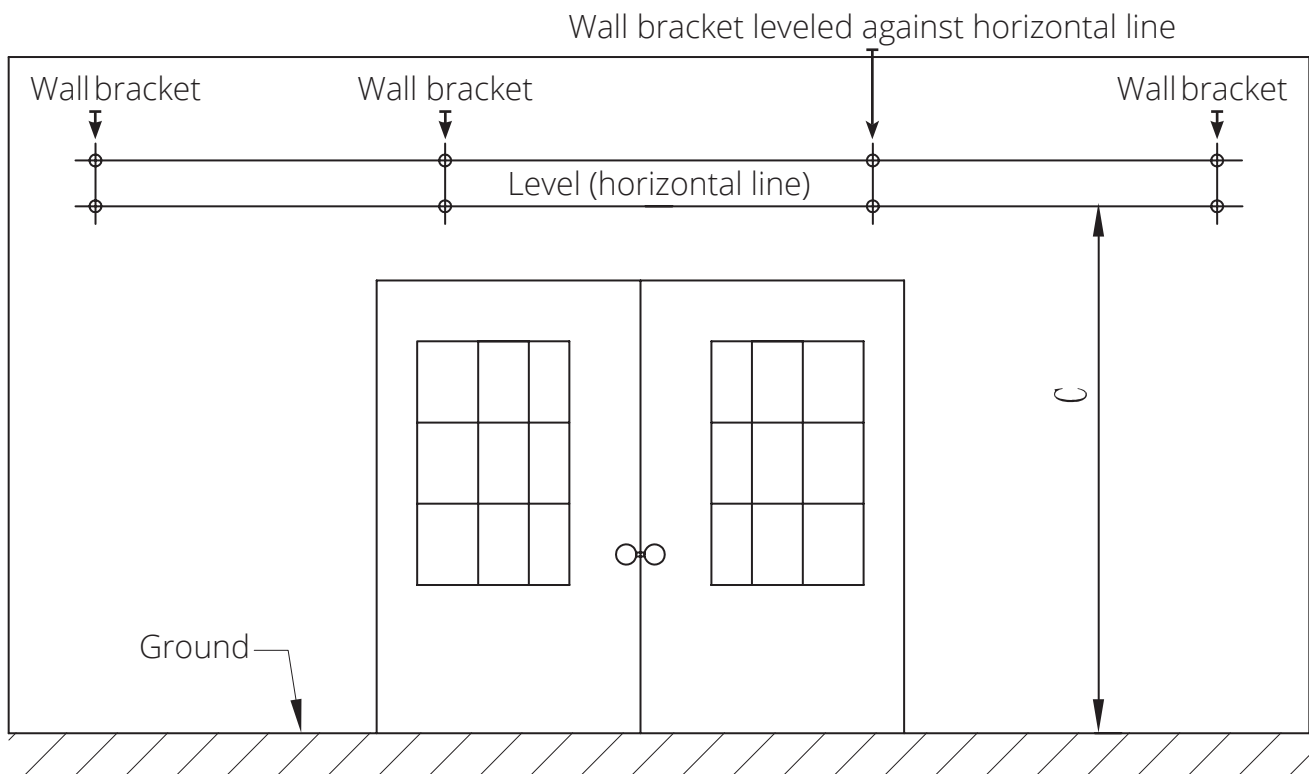
A = The desired height of the front bar

L = The length of the arm stretched out

C = The height of the wall brackets

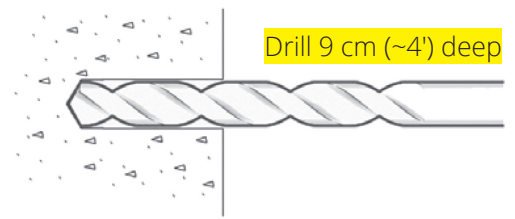
## STEP 1: Measuring the Mount Site

1. Measure the length of your awning along the wall where you intend to install it. This line will be the highest point of your awning and align with the top of the wall bracket. Use a leveler to make a chalk line across the distance.
2. **Important: double check that the line is level all the way across.**
3. Be sure that the line is centered over the patio door, window, or other feature, if applicable.
4. Now that you have a straight, centered line, measure the middle point and mark it. Now measure the middle point between the right side and the middle line, and the middle point between the left side and the middle line. You will install two of the brackets on these points. The remaining two brackets will be installed on the far right and far left points.
5. Take a wall bracket and place the top of it, completely level, under the line, as shown in the diagram below. With chalk or a pencil, mark the position of all the wall brackets and their bolt holes.



## STEP 2: Drilling the Bolt Holes

1. Now that you have a straight, level line across the wall with the locations of the wall brackets and their bolt holes marked, you will drill holes to mount the brackets.
2. Using a 16mm masonry drill bit, drill the first bolt hole approximately 4 inches (9 centimeters) deep, as shown in the diagram. This must be drilled through solid brick or concrete to offer the necessary support for the awning.
3. Drill the remaining holes exactly as in step 2.



**!! IMPORTANT:** All bolt holes must be aligned vertically and horizontally to ensure that the awning hangs straight. Double check alignment before drilling if you are not certain.

**!! IMPORTANT:** The diameter and depth of your mounting holes must be the same size as the expansion bolts.

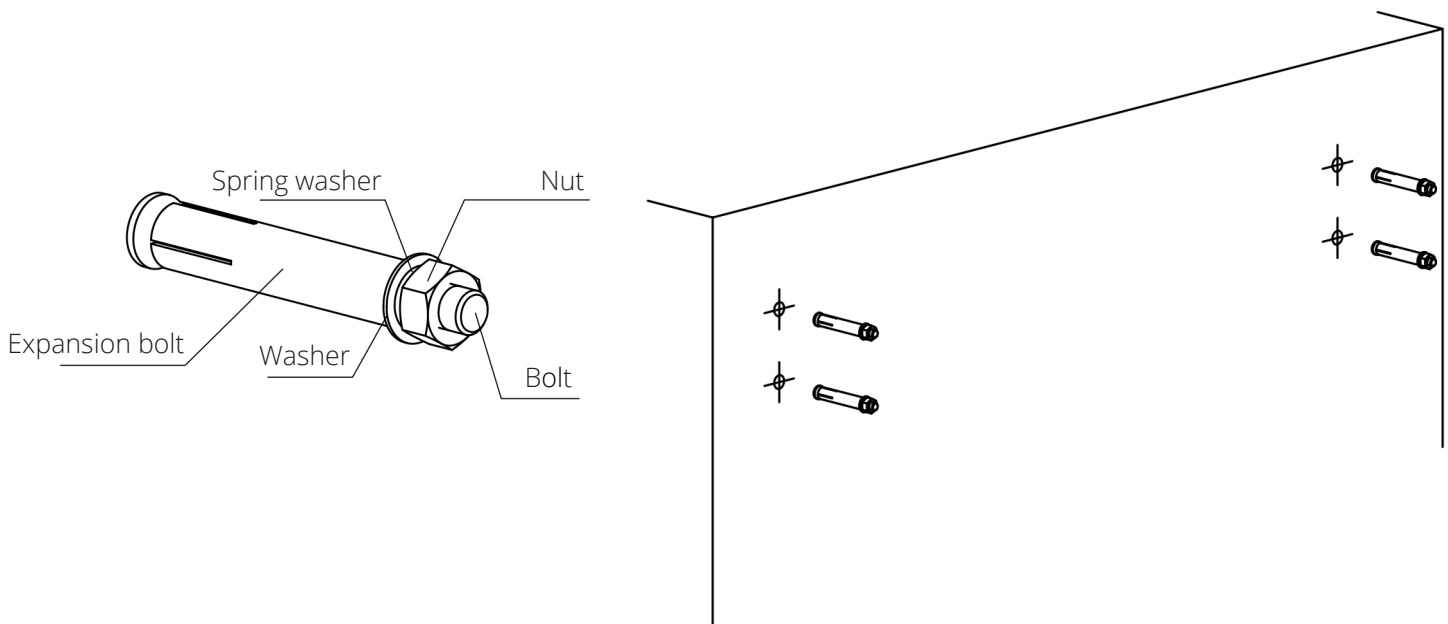
## STEP 3: Preparing For Mounting

1. Now that all of your holes are drilled, insert the expansion bolts.
2. It may be necessary to drive the bolts in with a wooden (or other non-metallic) mallet.



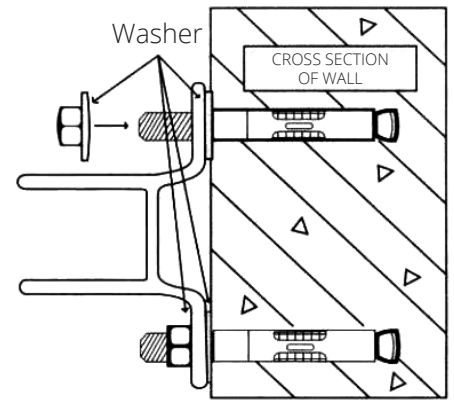
*If a mallet is necessary for installation, we recommend placing the nut on the screw (loosely) before hammering to avoid damaging the bolt threads.*

3. Make sure that the bolts are firmly in place, yet let them stick out of the wall approximately 1 inch or less - enough that the wall bracket can be installed onto them.
4. Firmly tighten the bolts with a 19mm hex key. It is best to use the hex key with a closed end rather than an open end to avoid damaging the nut, should it slip.



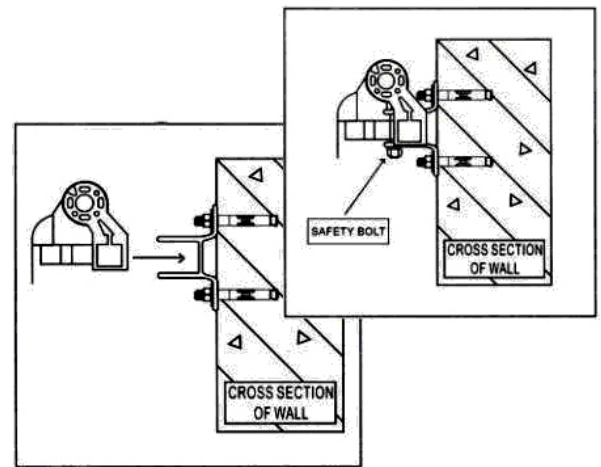
## STEP 4: Mounting the Wall Brackets

1. Now that the bolts are securely in the wall, remove the nuts that are loosely placed over the bolts.
2. Place a wall bracket onto one set of bolts. This should be an easy fit if the bolt holes are properly aligned.
3. Once the wall bracket is resting on the bolts, place a washer over the bolt, then secure it with a nut, as shown in the diagram below.
4. The **brackets MUST sit firmly on the wall**. If there is any movement, you must tighten it more.
5. Repeat this step for each of the wall brackets. Once you do this, all wall brackets will be securely in place.



## STEP 5: Mounting the Awning

1. Now that the wall brackets are secure and in place, it is time to install the awning onto the brackets.
2. At least two ladders or sturdy chairs are required to install the awning.
3. Put the original expansion bolts on the wall brackets and tighten them.
4. Finally, fasten all expansion bolts.
5. Using the hand crank or a motor (if applicable), fully open your awning. The front bar should be level.
6. **Congratulations! Your awning is installed. If you are happy with the height of the front bar (awning pitch), sit back and enjoy! If not, please read on.**



## 😊 OPTIONAL INSTALLATION

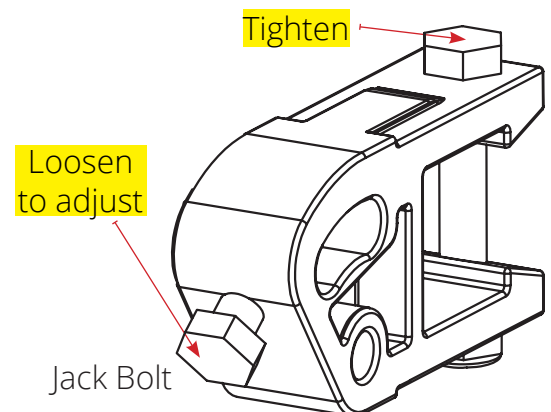
### ADJUSTING THE AWNING PITCH/ANGLE

Each awning comes with a pre-set pitch (angle) that is considered ideal. However, if you need to make an adjustment, it can be done in just a few easy steps.

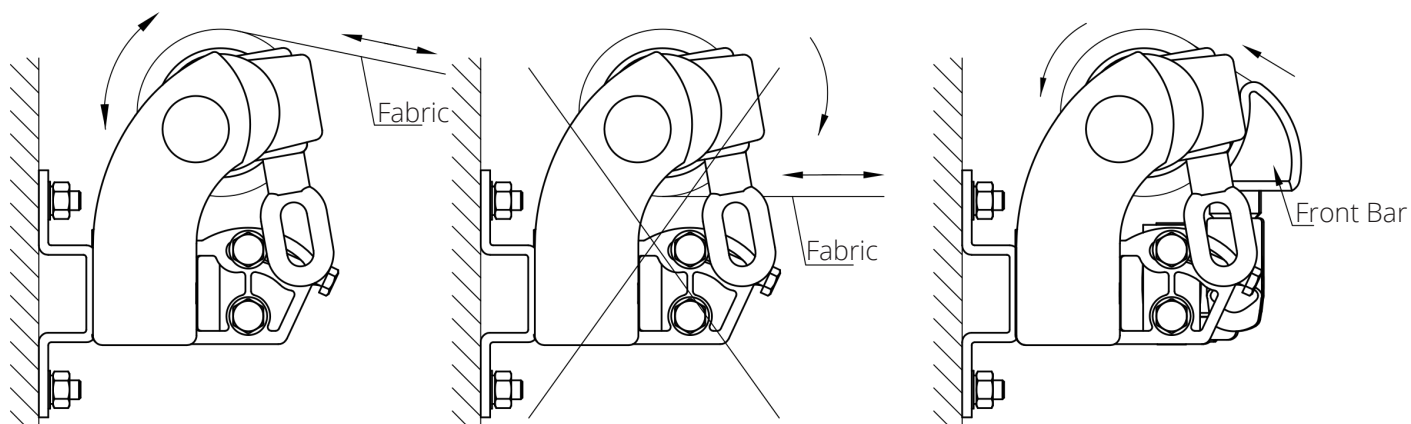
Note: Be sure that the front bar is adjusted to be completely even. Any misalignment will result in improper retraction.



**IMPORTANT:** Raising the front bar will reduce the pitch (angle) of the fabric, thus increasing the risk of rain water pooling on the fabric. To prevent the awning from collapsing due to rain water weight, you must retract the awning when unattended. Failure to do so could result in a broken awning or personal injury.



## Common mistakes



Correct operation

Wrong operation

**WARNING:** When the front bar touches the roller as shown in the figure, don't try to make them closer, otherwise the product may be damaged.



## REPAIR MANUAL

	CASE OF MALFUNCTION	REASON	REPAIR METHOD
1	The awning does not work when operated by the remote control.	<ol style="list-style-type: none"> <li>1. There is no power supply.</li> <li>2. The residual current automatic circuit breaker is turned to "off."</li> <li>3. The voltage is too low.</li> </ol>	<ol style="list-style-type: none"> <li>1. Check the plug to see whether it is properly connected.</li> <li>2. Call a professional to inspect.</li> <li>3. Call a professional to inspect the voltage.</li> </ol>
2	When operated by remote control, the awning does not work, although you can hear the signal sound from the remote control receiver.	<ol style="list-style-type: none"> <li>1. The remote receiver and motor are switched or the wire from the motor is disconnected.</li> <li>2. The motor switched off due to the overheat protection.</li> </ol>	<ol style="list-style-type: none"> <li>1. Check two places: fasten pins, and the screws.</li> <li>2. The motor will automatically resume operation after approximately 20 minutes.</li> </ol>
3	The fabric is loose, even though the awning is extended entirely.	The path length is incorrectly adjusted.	Readjust the path length according to the direction of the motor.
4	The cassette can't close completely.	The connecting position between the front bar and the front beam.	Adjust the position of the front beam until the cassette is entirely shut.
5	There is unwanted noise when operating the awning.	There is a loose screw.	Check all screws to ensure that they are tightly fastened.
6	When operated by a remote control, the indicative lamp does not work and there is no signal from the receiver.	<ol style="list-style-type: none"> <li>1. The cell is exhausted.</li> <li>2. The cell is disconnected.</li> </ol>	<ol style="list-style-type: none"> <li>1. Replace with a new cell.</li> <li>2. Reset the cell.</li> </ol>



# REPLACEMENT PARTS AND ACCESSORIES

## ALEKO AC TUBULAR MOTOR

Upgrade your awning by installing a convenient, easy to use motor. With the touch of a button, your awning will expand and retract to your desired length in under a minute.



- Easy to install. Motor opens and closes retractable awning with a remote (included).
- Comes with a programmed remote control and 18' cord with plug.
- UL-Approved. Rated Power: 205 W.
- Terrific value!

You can find these products at [www.ALEKOProducts.com](http://www.ALEKOProducts.com)



FABRIC REPLACEMENT



REMOTE CONTROL



VERTICAL SUPPORT ARMS



WIND-SUN SENSOR



CEILING BRACKET



AWNING SHADE NET

## 😊 MOTOR INSTALLATION

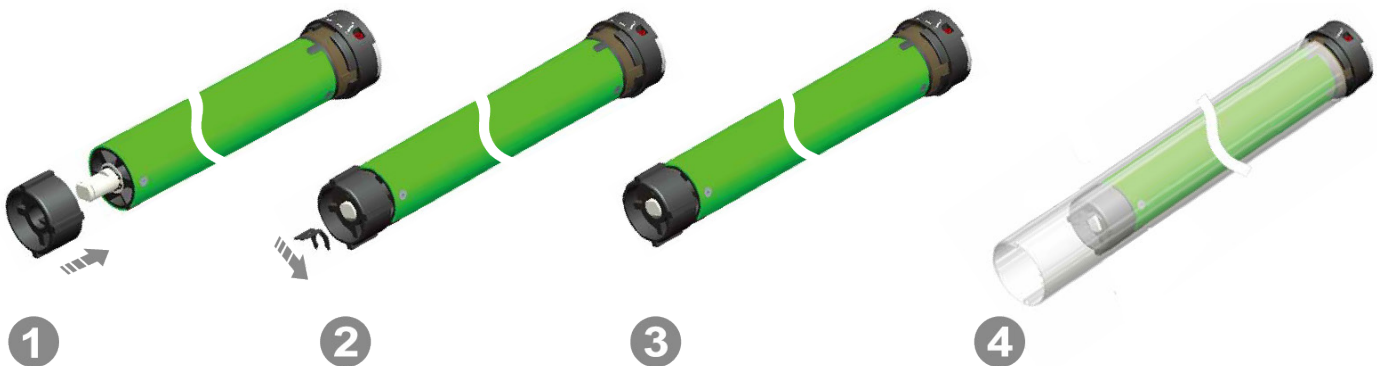
### BEFORE YOU START

Warning: To ensure the longevity of your motor, please do not submerge it in water, hit or drop it, or drill it. Also, double check that the power cord is not damaged.



### STEP ONE: DRIVE ADAPTER INSTALLATION

1. Place the gear onto the motor, as seen in the diagram. This will allow your motor to spin.
2. Secure the gear to the motor with the provided screw.
3. Once the gear is attached to your motor, ensure that it is fully secure.
4. Finally, place the motor into the awning tube.



### STEP TWO: PROGRAMMING THE REMOTE

**!** **IMPORTANT:** While programming your remote, you must complete all the steps (1-4) within 10 seconds. Failure to do so will result in starting over.

*NOTE: Each button must be pressed within four seconds of re-setting, otherwise the system will restore to the original state.*

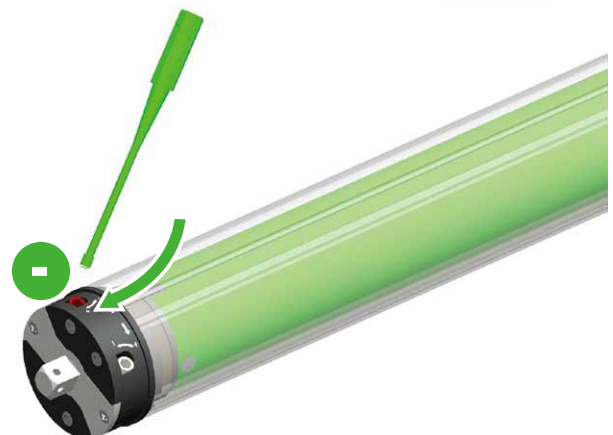
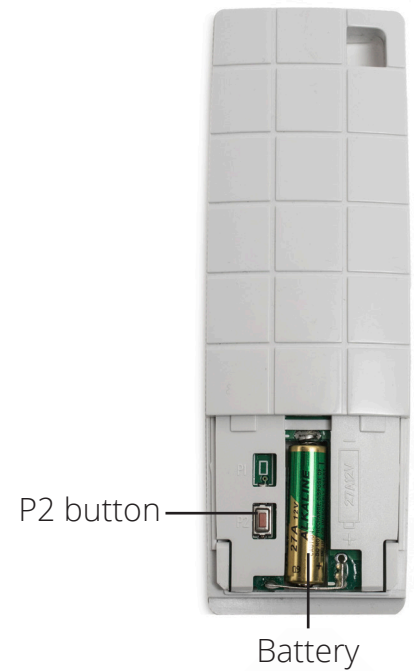
1. Remove the back of the remote and insert the battery.
2. Plug your motor into a power outlet.
3. Press the P2 button two times. The motor will beep twice.
4. Press the up button one time. The motor will beep several times.
5. Press the up button one more time to activate the motor.
6. Your remote is now programmed.

### STEP THREE: PROGRAMMING THE AWNING'S EXTENSION POSITION

- Press the up button once.
- Use the regulator to adjust the awning's extension length by inserting the green tool into the white plus sign hole, then rotate it.
- When you have achieved your desired length, stop rotating and press the stop button.
- The extension limit is set.

### STEP FOUR: PROGRAMMING THE AWNING'S RETRACTION POSITION

- Press the down button once.
- Use the regulator to adjust the awning's retraction length by inserting the green tool into the red minus sign hole, then rotate it.
- When you have achieved your desired retraction position, stop rotating and press the stop button.
- The retraction limit is set.



SCAN QR CODE WITH YOUR MOBILE  
DEVICE FOR MORE INFORMATION



**ALEKO Products**

8307 S 192ND ST. KENT, WA 98032  
SALES@ALEKOPRODUCTS.COM  
PHONE: +1 (888) 246-8596  
ALEKOPRODUCTS.COM  
YOUTUBE.COM/ALEKOPRODUCTS