

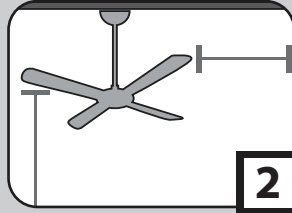
Congratulations on purchasing your new Casablanca® ceiling fan! It will provide comfort and performance in your home or office for many years. This installation and operation manual contains complete instructions for installing and operating your fan.

We are proud of our work and appreciate the opportunity to supply you with the best ceiling fan available anywhere in the world.

To register your fan, please visit:
www.CasablancaFanCo.com/register

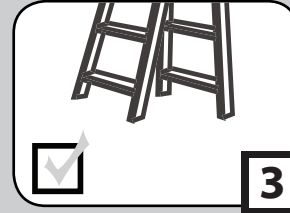
Save your receipt for proof of purchase.

What to Expect with Your Installation



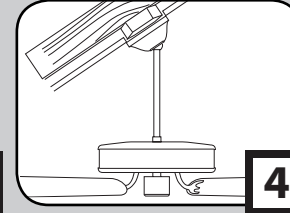
2 PAGE

Tools Needed



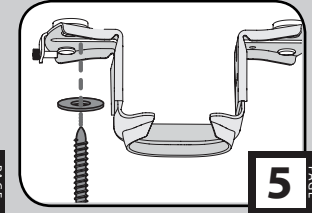
3 PAGE

Mounting Options



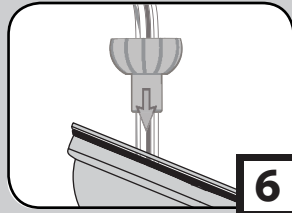
4 PAGE

Ceiling Bracket



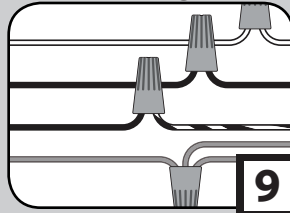
5 PAGE

Downrod



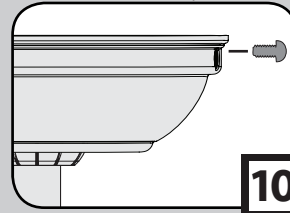
6 PAGE

Wiring



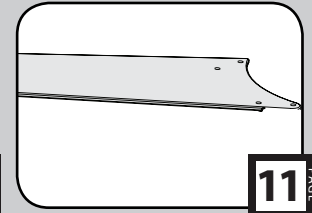
9 PAGE

Canopy



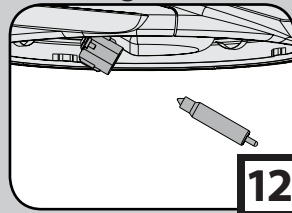
10 PAGE

Blades



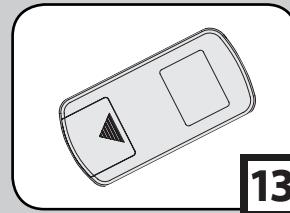
11 PAGE

Light Kit



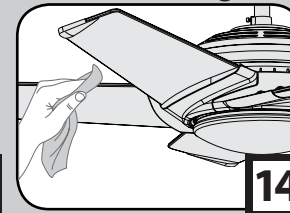
12 PAGE

Remote Control



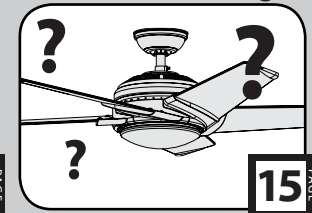
13 PAGE

Operation, Maintenance & Cleaning



14 PAGE

Troubleshooting



15 PAGE

What to Expect with Your Installation

www.CasablancaFanCo.com

1.888.227.2178



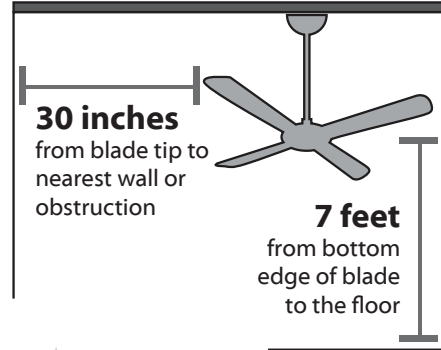
Must be able to secure the fan to building structure or fan-rated outlet box



If you are unfamiliar with wiring, use a qualified electrician.



Know your wiring



Assess location

You may need a friend to help you.



Check box to see fan weight



Ceiling angles greater than 34° will require an Angled Mounting Kit. See page 4 for details.



Assess ceiling angle

1 Standard Downrod
for ceilings 8-10 feet high

2 Shorter Downrod
for fans installed close to ceiling

3 Longer Downrod
for ceilings 10 feet or higher



Select a downrod length

Read and Save These Instructions

This product conforms to UL Standard 507.

⚠ WARNINGS

w.1 - To reduce the risk of fire, electrical shock, or personal injury, mount fan directly from building structure and/or an outlet box marked acceptable for fan support of 70 lbs (31.8 kg) and use the mounting screws provided with the outlet box.

w.2 - To avoid possible electrical shock, before installing or servicing your fan, disconnect the power by turning off the circuit breakers to the outlet box and associated wall switch location. If you cannot lock the circuit breakers in the off position, securely fasten a prominent warning device, such as a tag, to the service panel.

w.3 - To reduce the risk of fire, electrical shock, or motor damage, use only Casablanca Solid State Speed Controls.

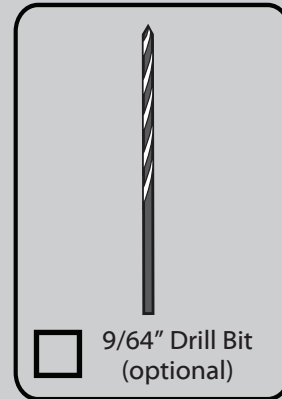
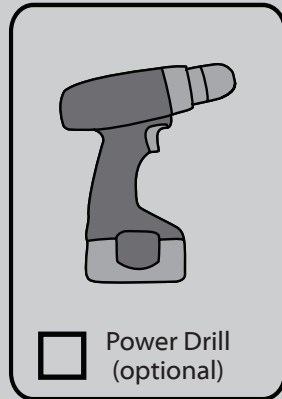
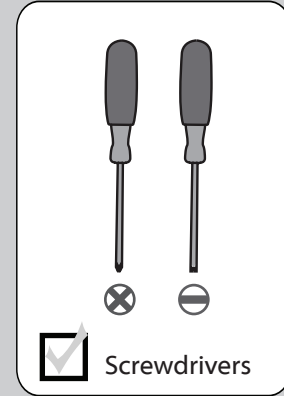
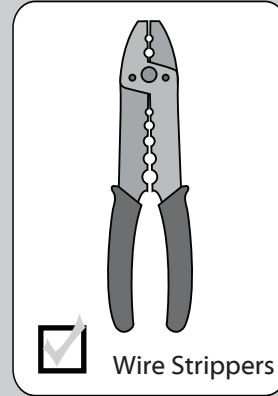
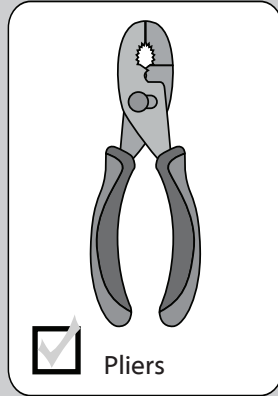
w.4 - To reduce the risk of personal injury, do not bend the blade brackets when installing the blade brackets, balancing the blades, or cleaning the fan. Do not insert foreign objects in between rotating fan blades.

⚠ CAUTIONS

c.1 - All wiring must be in accordance with national and local electrical codes ANSI/NFPA 70. If you are unfamiliar with wiring, use a qualified electrician.

c.2 - Use only Casablanca replacement parts.

This equipment has been tested and found to comply with the limits for a Class B digital device, pursuant to part 15 of the FCC Rules. These limits are to provide reasonable protection against harmful interference in a residential installation. This equipment generates, uses and can radiate radio frequency energy and if not installed and used in accordance with the instructions may cause harmful interference to radio communications.



If mounting to a support structure, you will also need these tools.

34°

CEILING ▲

If you have a flat ceiling:

Hang your fan by a standard downrod (included).

Standard
Mounting**OPTION 1****If you have an angled ceiling:**

1. You will need a longer downrod (sold separately).
2. If your ceiling angle is greater than 34°, you will also need an Angled Mounting Kit (sold separately).

Angled
Mounting**OPTION 2**

Use the three steps below to determine if your ceiling angle is greater than 34°



1

FOLD
on dotted line

2

PLACE
against wall

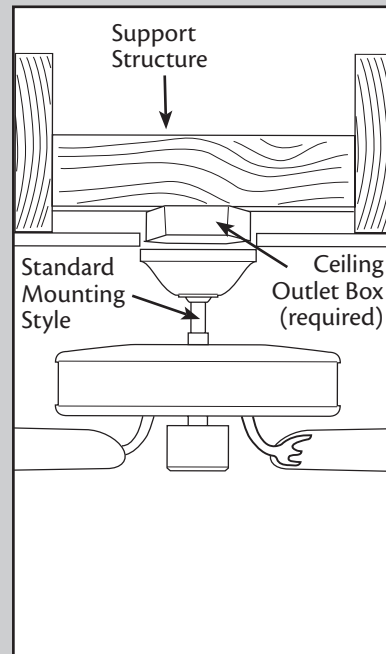
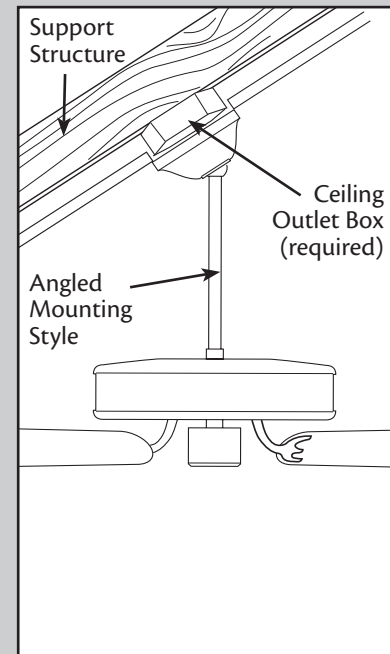
3

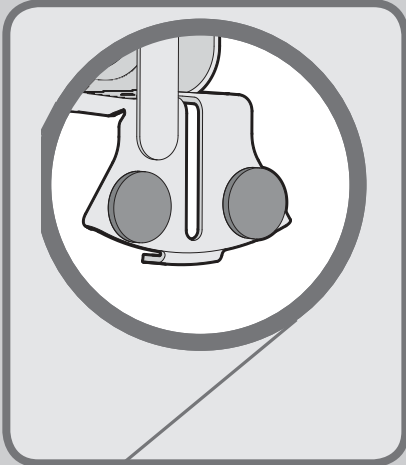
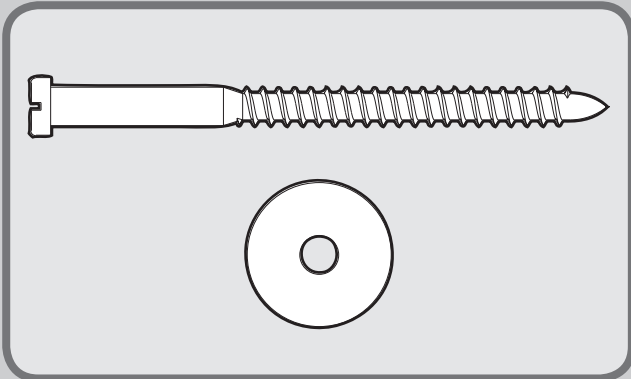
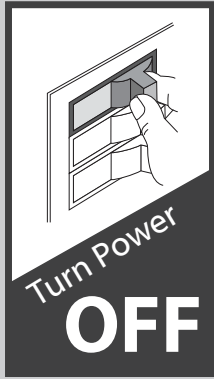
SLIDE
toward ceilingGuide Touches
BOTH Ceiling & WallYou need **ONLY**
a Longer
Downrod

*most common

SITUATION 1Guide Touches Wall
but **NOT** CeilingYou need **BOTH**
a Longer
Downrod &
an Angled
Mounting Kit**SITUATION 2****Mounting Options**

1.888.227.2178

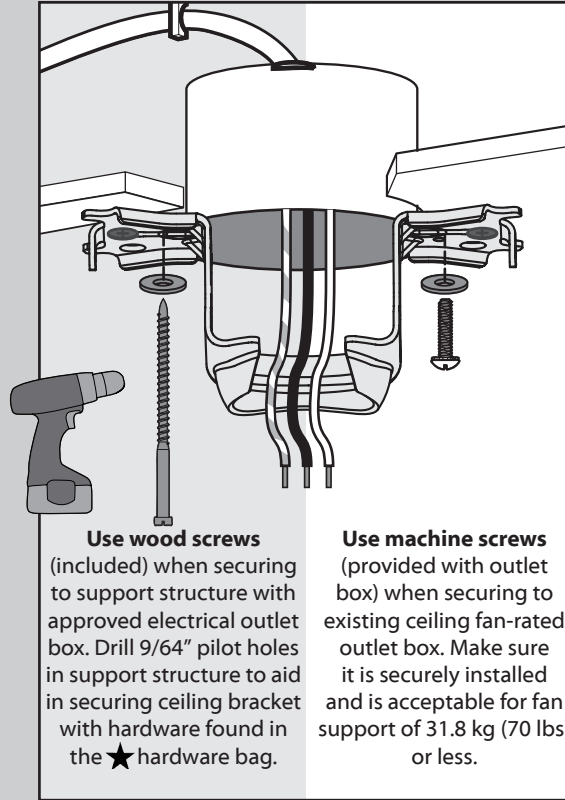
Use **Standard Mounting**
or **Low-Profile Mounting**
to hang the fan from a flat ceiling.Use **Angled Mounting**
to hang the fan from a
vaulted or angled ceiling.



Make sure all four bumpers are still attached.

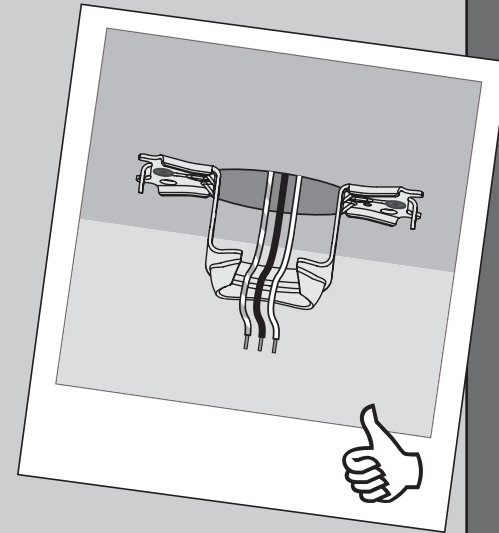


If you are unable to do this, call Technical Support at 1-888-277-2178.



Use wood screws (included) when securing to support structure with approved electrical outlet box. Drill 9/64" pilot holes in support structure to aid in securing ceiling bracket with hardware found in the ★ hardware bag.

Use machine screws (provided with outlet box) when securing to existing ceiling fan-rated outlet box. Make sure it is securely installed and is acceptable for fan support of 31.8 kg (70 lbs) or less.



Refer to warning w.1 on pg. 2



To avoid possible electrical shock, before installing your fan, disconnect the power by turning off the circuit breakers to the outlet box associated with the wall switch location.



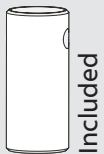
Option 1

Standard Downrod
for ceilings 8-10' high



Option 2

Shorter Downrod
for fans installed close to ceiling



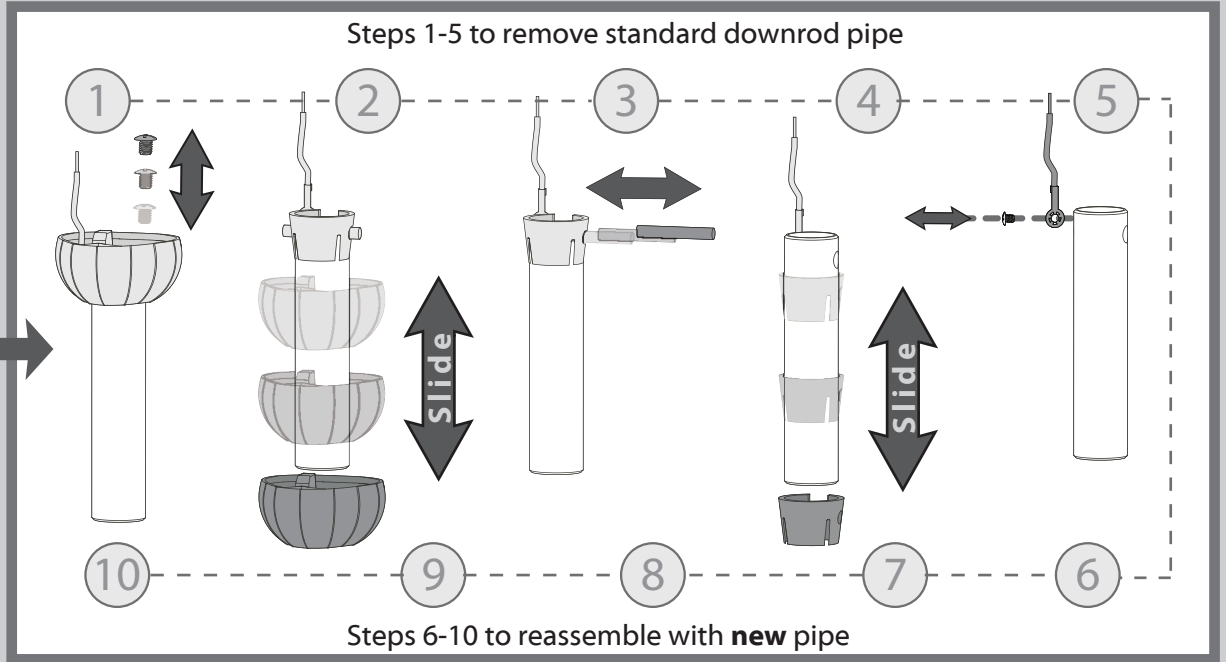
Option 3

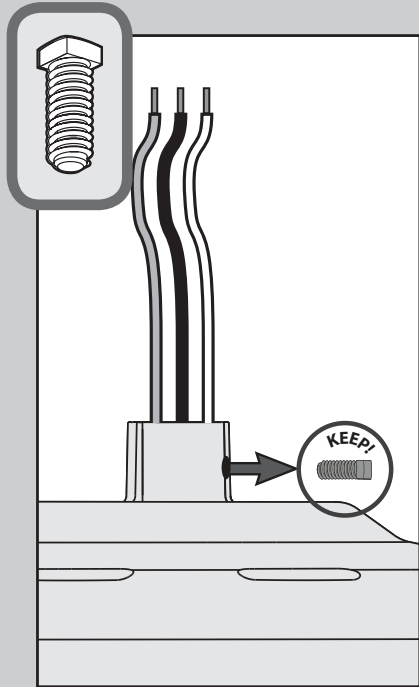
Longer Downrod
for angled ceilings or ceilings 10' or higher



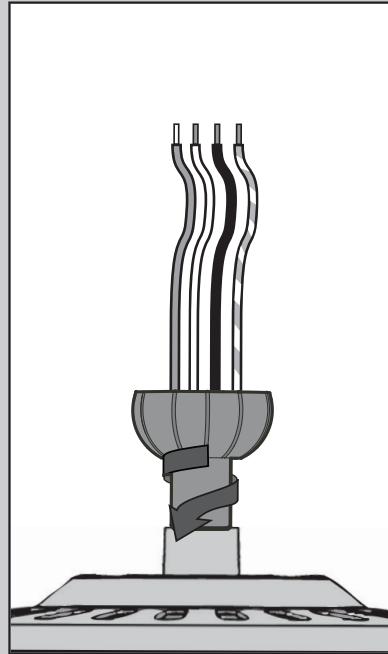
skip to next page

If you need a different downrod length follow these steps:

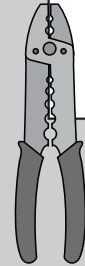
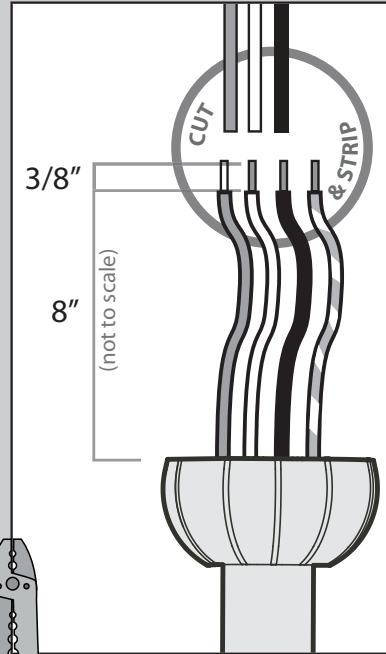




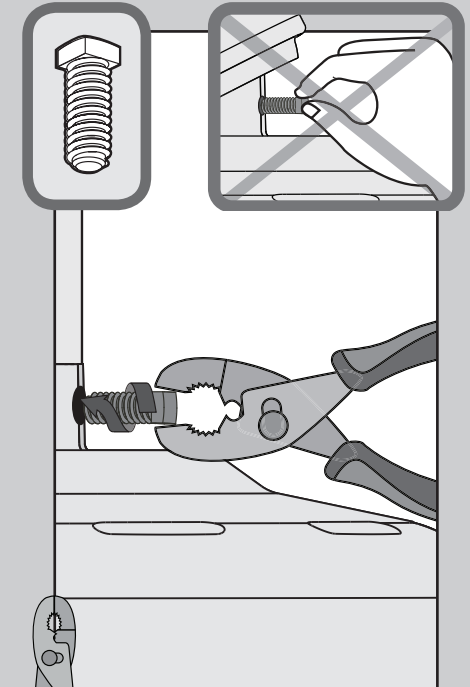
Remove the pre-installed setscrew so that the downrod can be inserted.



Hand tighten the downrod (at least 4-5 full turns) until it stops.



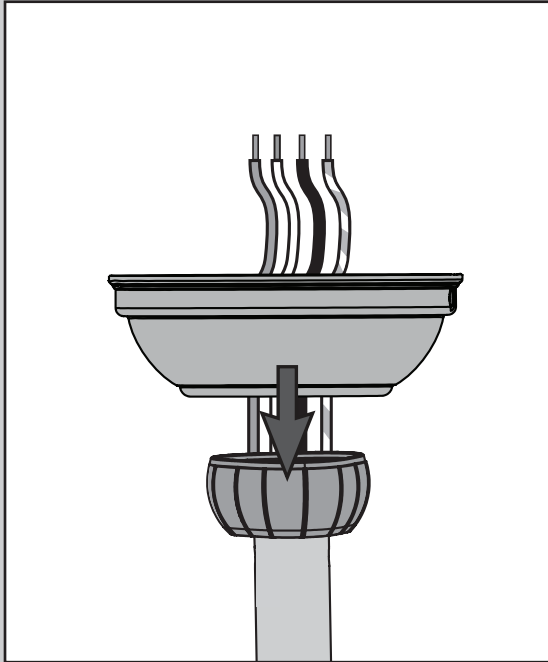
The wires can be cut, but leave at least 8" extending from the top of the downrod.



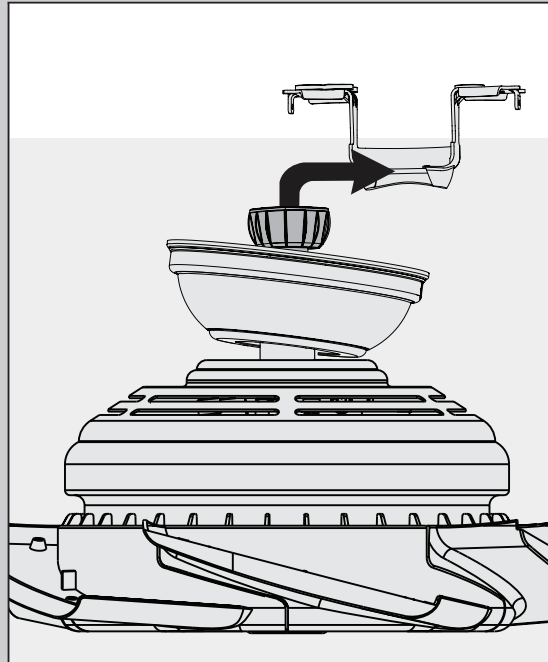
Tighten the setscrew with pliers. **DO NOT HAND TIGHTEN.**



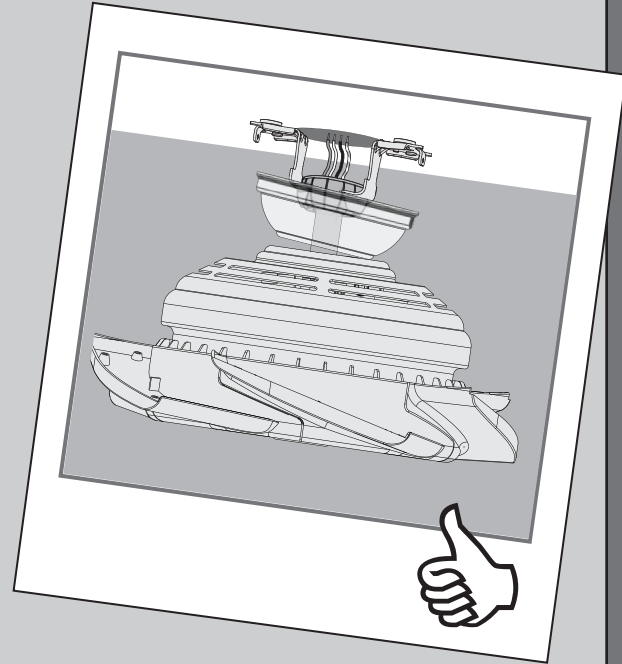
If the setscrew is not tightened securely, the fan may fall.



Put the wires and downrod through the canopy.
Let the canopy sit loosely on top of the fan.

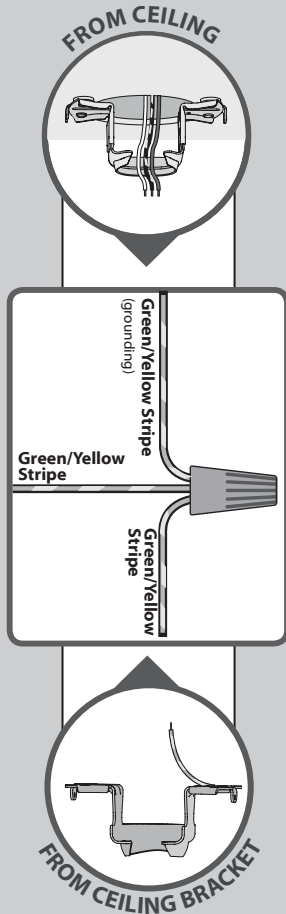
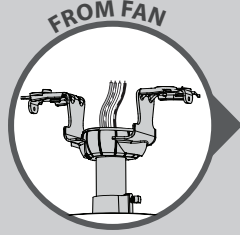


DO NOT PICK THE FAN UP BY THE CANOPY OR WIRES. Place the downrod ball into the slot in the ceiling bracket.

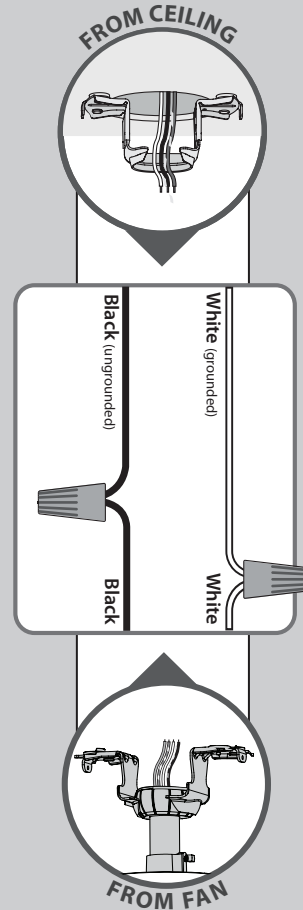


Wiring

Note: To connect the wires, hold the bare metal leads together and place a wire connector over them, then twist clockwise until tight.



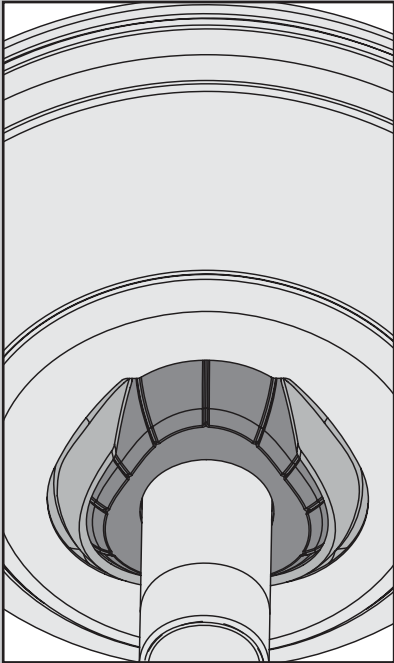
Using an orange wire connector from the ★ hardware bag, connect the three grounding wires (green, green/yellow stripe, or bare copper) coming from the ceiling, downrod, and hanging bracket.



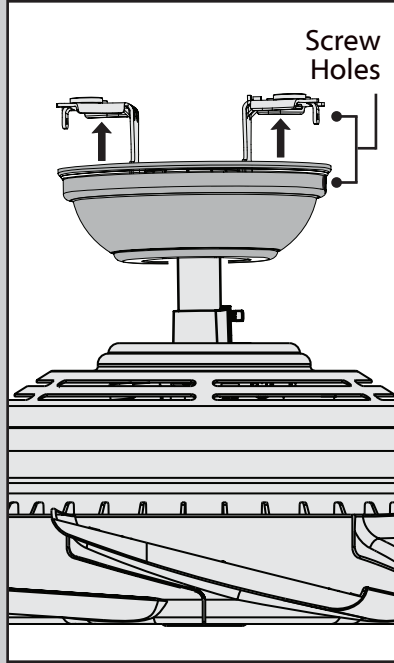
Using orange wire connectors from the ★ hardware bag, connect the black wire (ungrounded) from the ceiling to the black wire from the fan. Connect the white wire (grounded) from the ceiling to the white wire from the fan.

Turn the splices upward and push them carefully back through the hanger bracket into the outlet box. Spread the wires apart, with the grounded wires on one side of the outlet box and the ungrounded wires on the other side of the outlet box.

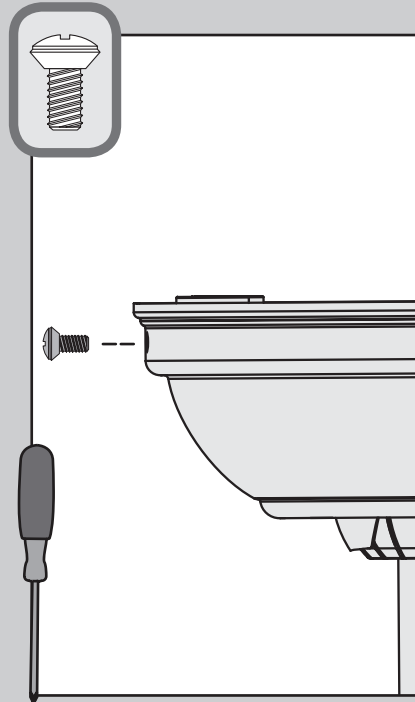
Refer to CAUTION c.1 on pg. 2



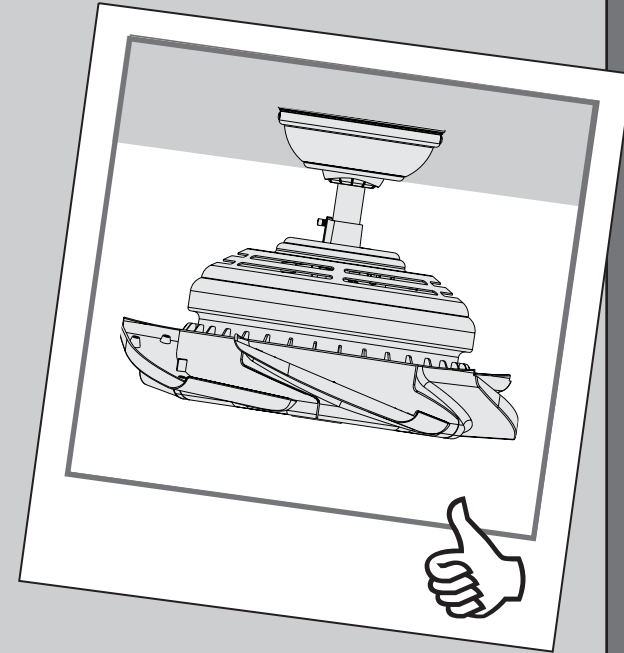
Position the canopy so that, when lifted into place, the canopy fits into the hanging bracket as shown.



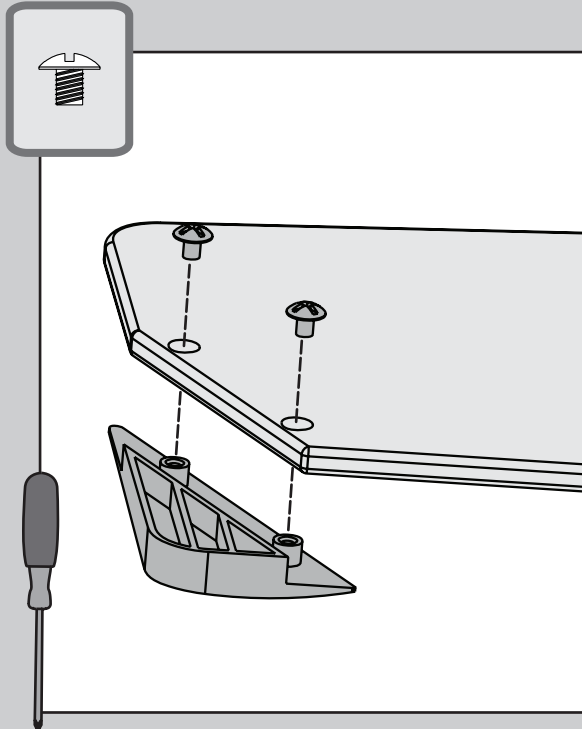
Lift the canopy into place so that the screw holes are aligned.



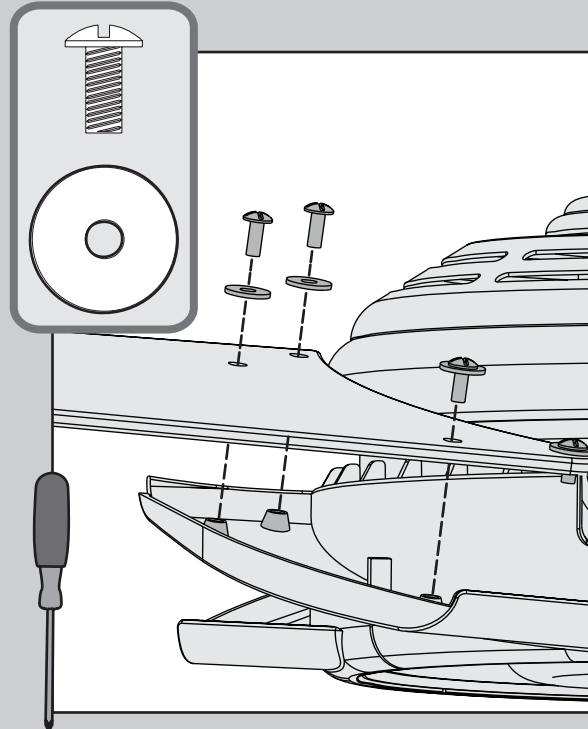
⊗ Insert the two canopy screws found in the ● hardware bag.



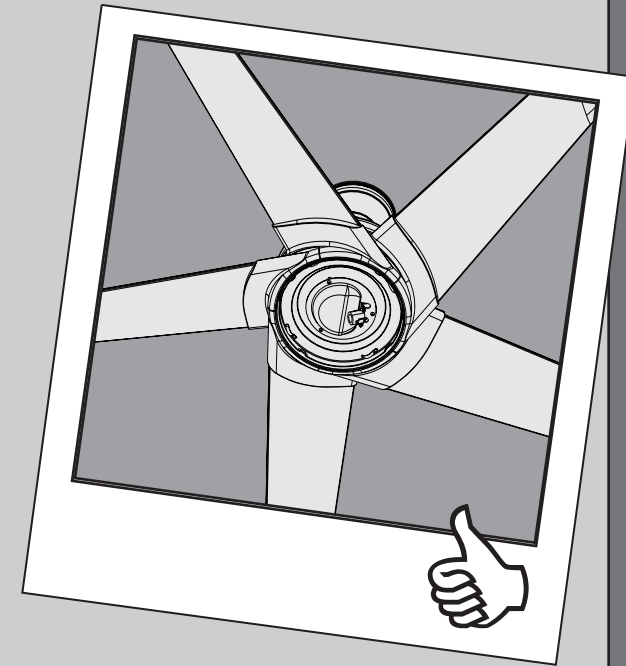
Note: Fan style may vary.

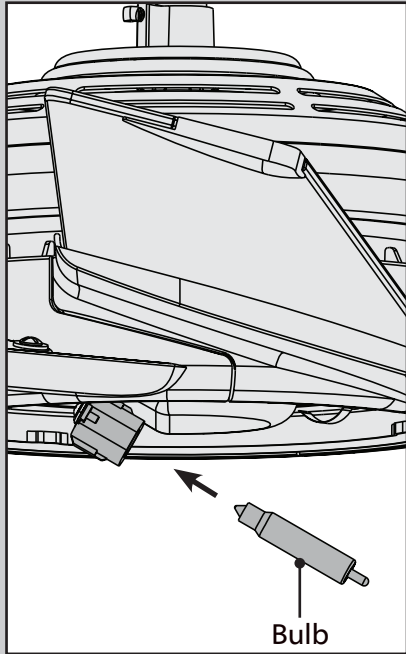


Attach a blade tip to each blade using two blade tip screws, found in the ▲ hardware bag.

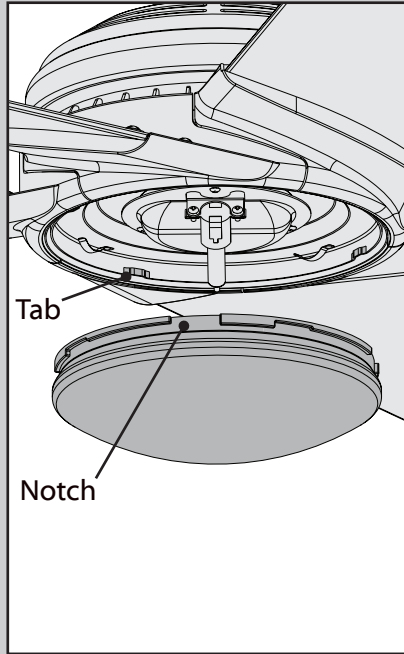


Insert four blade assembly screws and four blade washers, found in the ▲ hardware bag, into each blade as shown. Install the screws into the posts in each blade arm.

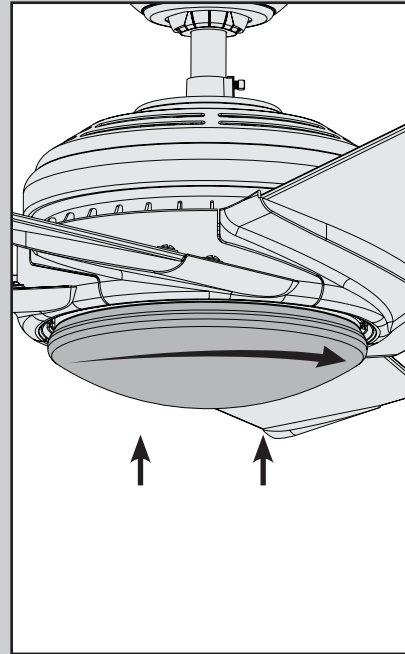




Install a halogen bulb in the light socket. When necessary, replace with bulbs of the same type and wattage.



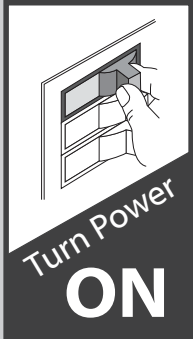
Position the notches in the outer rim of the globe so they line up with the tabs on the inside of the rim on the light kit.



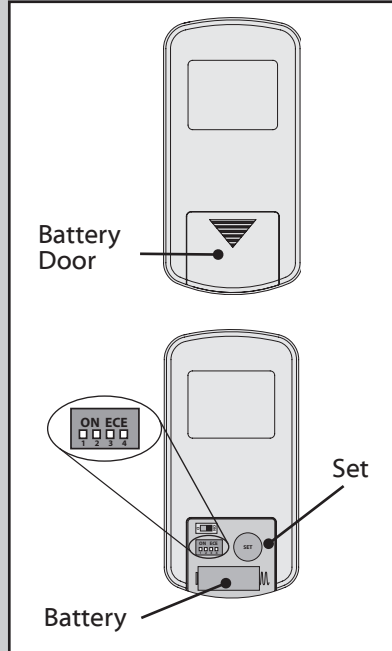
Carefully lift the globe up inside the light kit as far as it will go, then rotate the globe clockwise until it is held tightly in place by the four tabs.



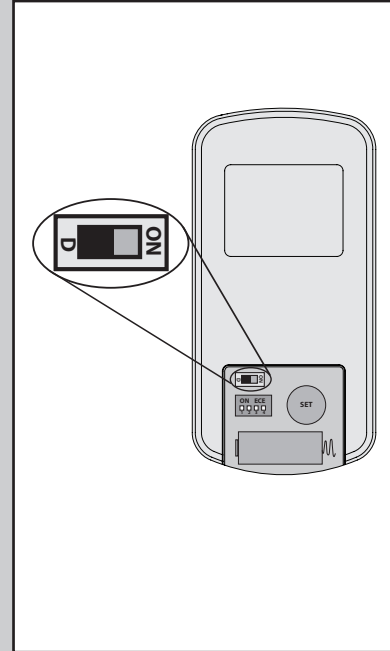
See next page for fan operation instructions. 



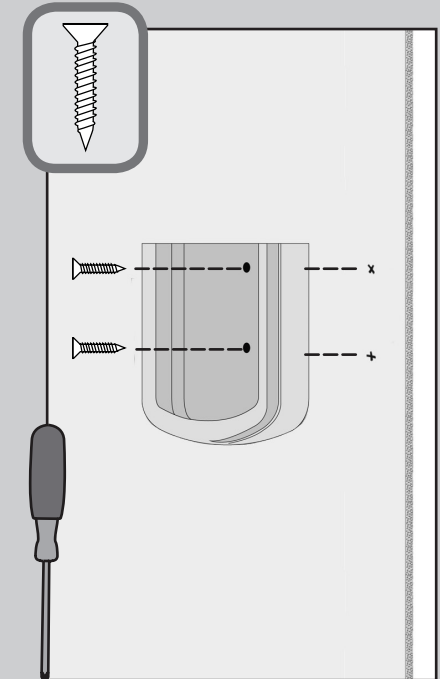
Once the power is turned on, **the remote must be paired within 60 seconds**. Pairing is only required once after initial installation.



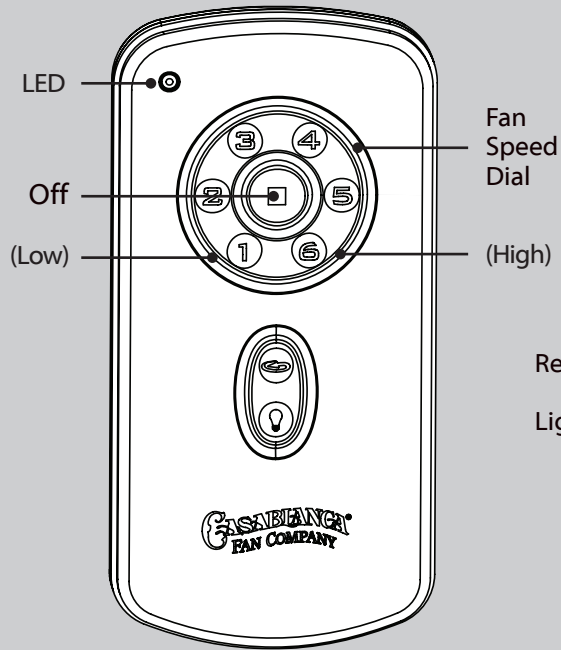
Remove battery door. Change the dip switch settings if the frequency matches a previously installed remote transmitter. Install A23 or MN21 alkaline battery in the proper polarity and replace the battery door. To pair the remote, hold down the Set button for 5 seconds. Pairing is complete when LED button flashes twice.



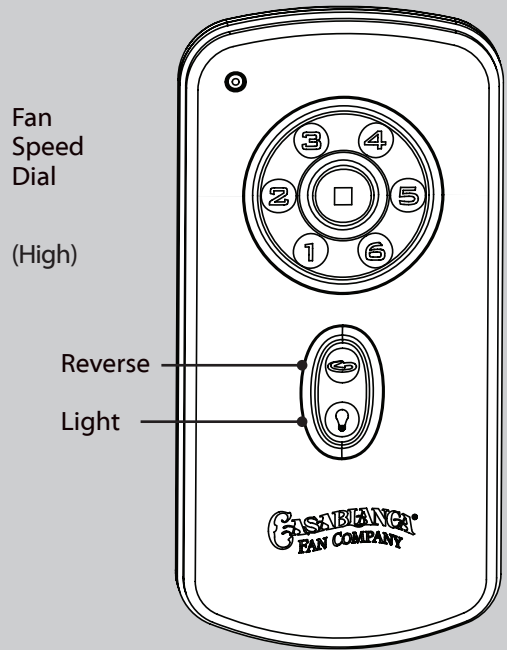
If a light kit is installed on your fan, choose the light bulb mode by moving the toggle switch. For halogen bulbs, set the switch to "ON." Replace the battery door.



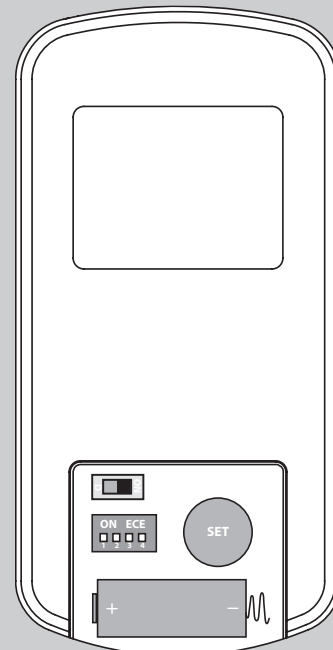
⊗ To install the transmitter cradle, hand-tighten the provided screws to mount the cradle to the wall.



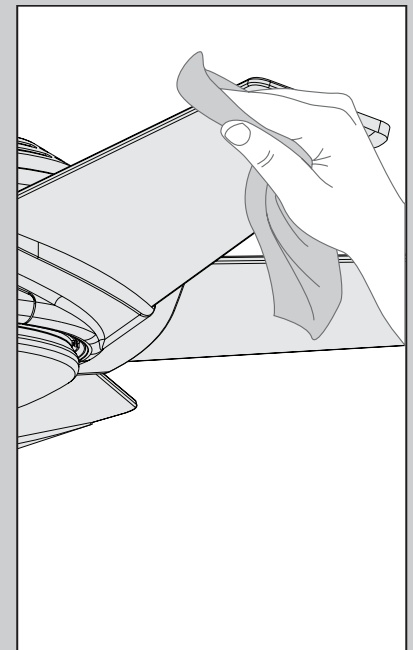
To select fan speed press one of the numbers on the Fan Speed Dial. To calibrate the fan speed, run the fan on "6" for 90 seconds after each AC power reset. The LED light flashes to indicate a signal has been sent to the fan.



To reverse the air flow direction, press the Reverse button while fan is running. Press Light button to turn lights off/on. To dim the lights, press the light button for more than one second. Light will cycle from brightest to dimmest. Release the light button when desired brightness is achieved.



To change the battery, remove the battery door. Remove battery and replace with A23 or MN21 alkaline battery. Please observe proper polarity placement.



For cleaning the fan, use soft brushes or cloths to prevent scratching. Cleaning products may damage the finishes.

Fan doesn't work

- Press a fan speed button (1-4).
- Check the circuit breaker to ensure the power is turned on.
- Check the wall control battery.
- Make sure that you have paired the wall control.
- Make sure the blades spin freely.
- Turn off power from the circuit breaker, then loosen the canopy and check all the connections according to the wiring diagram on page 9.

Excessive wobbling

- Tighten all of the blade screws until they are snug.
- Turn the power off, support the fan carefully, and check that the hanger ball is properly seated.
- Use the provided balancing kit and instructions to balance the fan.

Noisy Operation

- Tighten the blade and blade iron screws until they are snug.
- Check to see if any of the blades are cracked. If so, replace all of the blades.

AUTHORIZED SERVICE CENTERS

For the most updated list of Casablanca Authorized Service Centers, visit www.CasablancaFanCo.com or call toll free 1-888-227-2178.

Remote doesn't work

- Install a fresh battery in the wall control.
- Make sure you have paired the remote.

Fan speeds are incorrect

- Turn power from the circuit breaker off and back on, then run the fan on speed "6" for at least 90 seconds and check the fan speeds again.