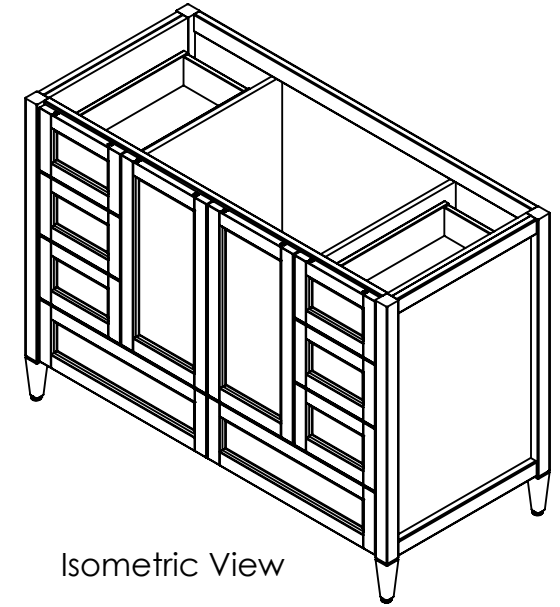
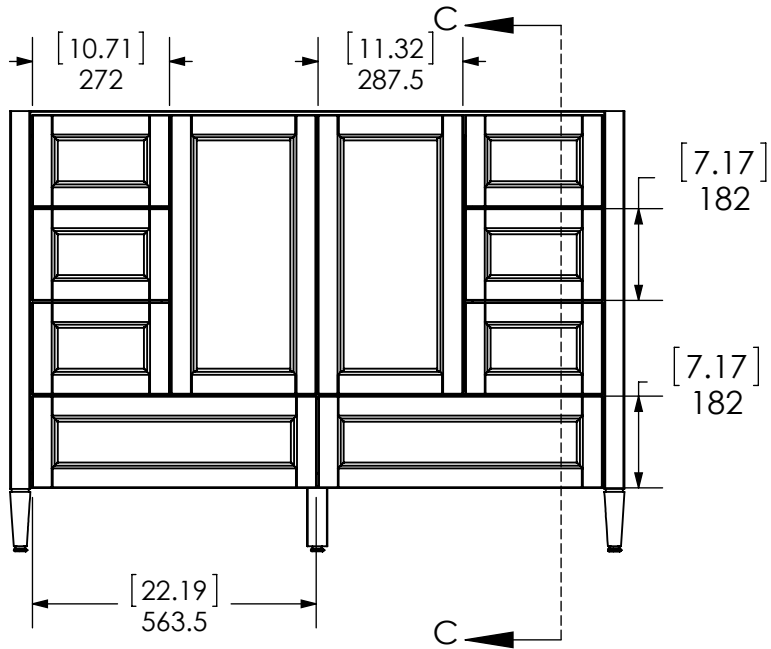


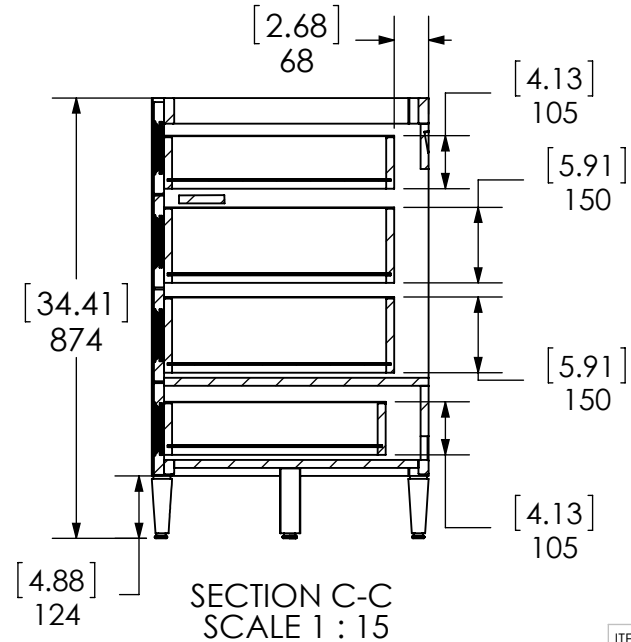
Top View



Isometric View



Front View



SECTION C-C
SCALE 1 : 15



ITEM: **CB48-WH SRSD4821-CH** REV
CB48-ST SRSD4821-CR
CBSD48-FG

A

Name: **Claxby 48in - White/
Sterling**

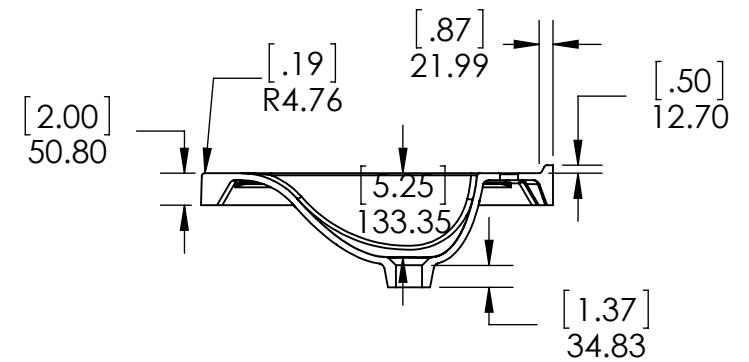
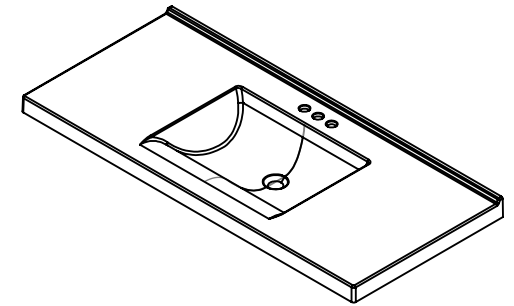
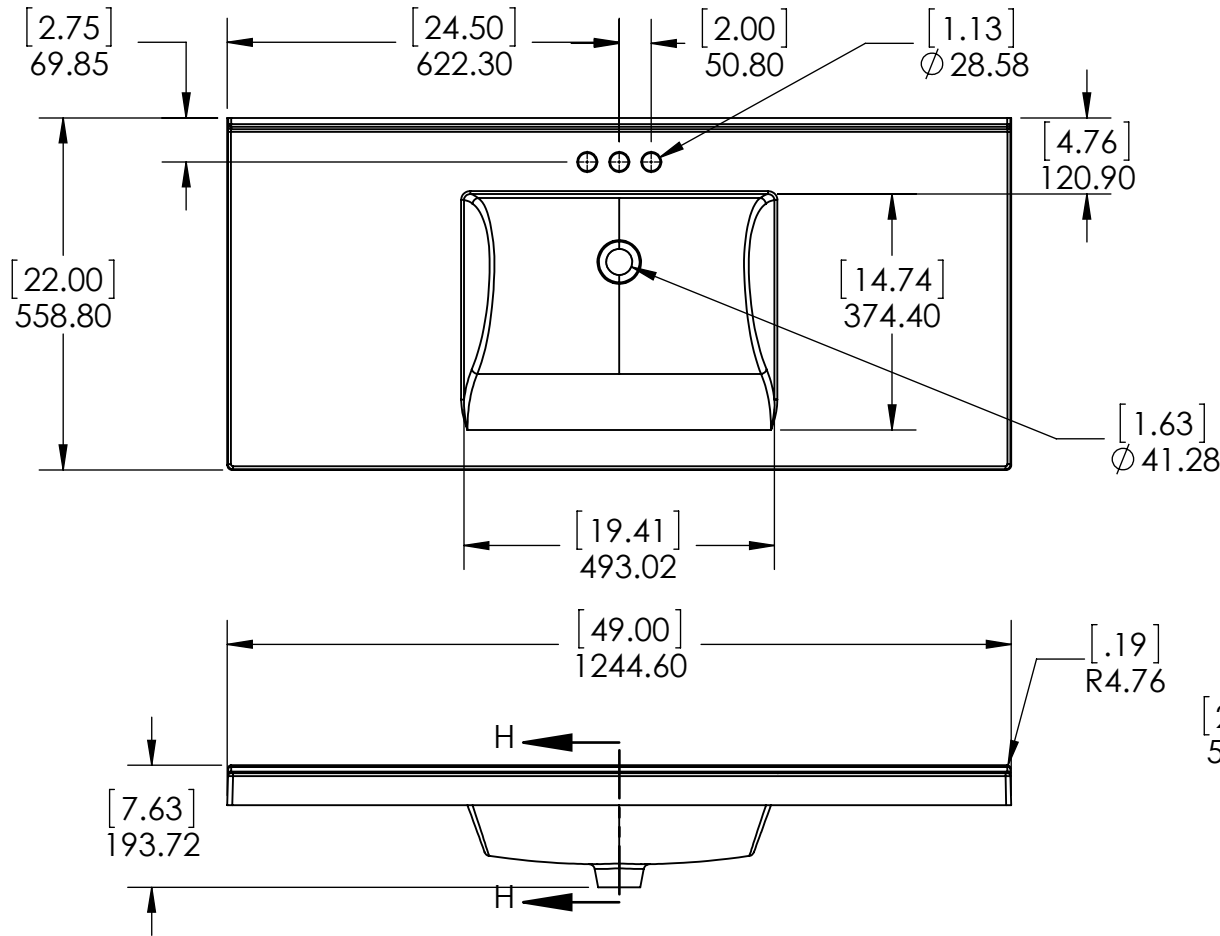
DRW:	ARB	03/26/18
REV:	ING	03/26/18
APP:	R&D	03/26/18

MATERIAL: **German Beech 4/4
Laminated Particle Board**

SCALE: 1:15 MODELO: **Vanity Claxby 48**

DRAWING TYPE	ITEM ID	ITEM DESCRIPTION	TECHNOLOGIES	DRAWING STATUS
Finish Good	HU4922R-WH	Vtop Wave 49 x 22 4 in	AB Composite	Ready for production
Finish Good	HU49R-WH	Glacier Bay in. Cultured Marble Vanity Top - White	AB Composite	Ready for production
Finish Good	595589	Vtop Rect Wave 49x22 White 4in	AB Composite	Ready for production

REV	ECO #	DESCRIPTION	REV'D BY DATE	CHK'D BY DATE	APRV'D BY DATE
1		New Design	4/01/16	4/01/16	4/01/16
2		New item, Online	2/06/18	2/06/18	2/06/18
3		New Model Added	6/04/18	6/04/18	6/04/18



Estimated Weight: 25.63kg

PROPRIETARY AND CONFIDENTIAL
 THE INFORMATION CONTAINED IN THIS DRAWING IS THE SOLE PROPERTY OF WOODCRAFTERS. ANY REPRODUCTION IN PART OR AS A WHOLE WITHOUT THE WRITTEN PERMISSION OF WOODCRAFTERS IS PROHIBITED.

UNLESS OTHERWISE SPECIFIED
 DIMENSIONS ARE IN MM. AND (INCHES)
 TOLERANCES ARE
 + 0.125 [3.175] - 0.125 [-3.175]
 SCALE:1:12

	NAME	DATE
DRAWN	E. Sandoval	4/01/16
CHECKED	O. Razo	2/06/18
ENG APPR.	V. Sanchez	2/06/18
MFG APPR.	C. Leal	2/06/18

Wood Crafters

SIZE DWG. NO. **A** Vtop Wave 49x22

SHEET 1 OF 1 REV: **3**