

**QUESTIONS? CALL TOLL FREE
1-800-345-0542**

READ ALL THE INSTRUCTIONS

TOOLS & MATERIALS REQUIRED

- Ladder
- BX or NM Cable
- BX or NM Cable Connectors
- Keyhole Saw or 3 1/4" (8,3 mm) Hole Saw
- Flathead Screwdriver
- Insulated Pliers
- Pencil
- UL Listed Electrical Tape

CAUTION

Before assembling your lighting fixture, refer to the “**ELECTRICAL CONNECTIONS**” section. If you feel you do not have electrical wiring experience, refer to a do-it-yourself wiring handbook or have your fixture installed by a qualified licensed electrician.

NOTE: This fixture is an IC type fixture. It may come in direct contact with thermal insulation. It can be completely covered by thermal insulation, as shown below. In addition, any part of the fixture may come in direct contact with any combustible material, such as a ceiling joist or floor board. (FIG. 1)

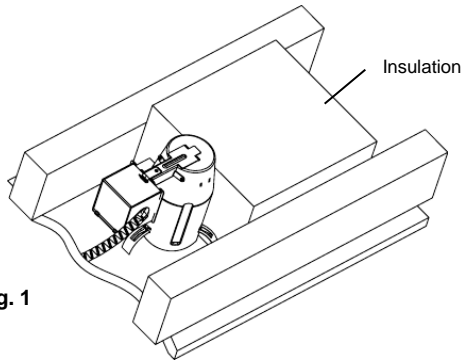


Fig. 1

IMPORTANT NOTE

Out of the box, this product can be used in REMODEL applications. In a remodel application, a ceiling surface already exists and there is no access above the surface to the ceiling joists. To install this fixture, a hole must be made in the existing ceiling from the room side. Then, electrical wiring must be run to this hole and connected to the fixture. The fixture is, finally, inserted into the ceiling hole, which secures itself to the ceiling surface, using special remodel clips (provided). **To use this product in NEW-CONSTRUCTION applications, a Commercial Electric plaster frame and Commercial Electric hanger bars must be purchased, separately.** In a new construction application, the ceiling surface has not yet been installed and the ceiling joists are still exposed and accessible.

BEFORE YOU BEGIN

1. To ensure the success of the installation, be sure to read these instructions and review the diagrams thoroughly before beginning.
2. All electrical connections must be in accordance with local code and ordinances. If you are unfamiliar with methods of installing electrical wiring, secure the services of a qualified licensed electrician.
3. Before starting the installation, disconnect electricity at the circuit breaker or the fuse box. Disconnecting power by using the wall switch is not sufficient to prevent electrical shock.
4. Check if the power source is suitable for the added electrical load. Power should be supplied by a 110/120 volt, 60 Hz single circuit. A standard 120 volt, 15 amp branch circuit is designed to carry a maximum load of 1800 watts. We recommend that the total wattage of all the lights and appliances on that circuit, not exceed 80% or 1440 watts, of the maximum electrical capacity.
5. **This fixture is designed to be used on ceiling surfaces that are 3/8” (1,0 cm), 1/2” (1,3 cm), or 5/8” (1,6 cm) thick. It cannot be used on any other ceiling thickness.**

UNPACK THE FIXTURE

Check the contents of the box. You should receive:

- 1 – Housing (can, junction box)
- 1 – Trim assembly
- 1 – Template
- 3 – Remodel clips (pre-attached to housing)
- 3 – Wire Nuts

GETTING STARTED

WARNING: First disconnect electricity at the circuit breaker or the fuse box. Disconnecting power by using the wall switch is not sufficient to prevent electrical shock.

Choose the location for the fixture(s), keeping in mind the 6” (15,2 cm) depth clearance, accessibility for the electrical supply, and the 1/2” (1,3 cm) clearance from the joists, floor boards, or any other combustible material.

REMODEL INSTALLATION

MAKING THE HOLE/RUNNING THE SUPPLY WIRING TO THE HOLE

1. Cut a 3 1/4” (8,3 cm) hole into the ceiling after choosing the appropriate location. A template is provided to assist in making the hole. (Fig. 2)

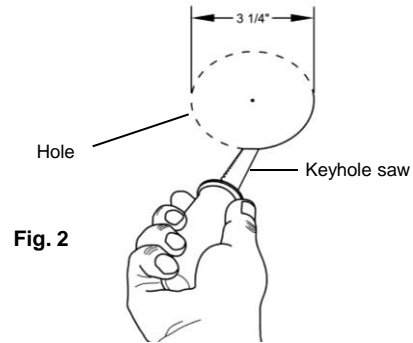


Fig. 2

2. Clear out any insulation necessary to maintain the 3” (7,6 cm) spacing specified in the “**CAUTION**” section found in the beginning of these instructions. (See Fig. 1)
3. Run armored cable (BX) or non-metallic (NM) cable (also known as Romex) from your circuit breaker or fuse panel to the 3 1/4” (8,3 cm) hole, providing 6” (15,2 cm) to 8” (20,3 cm) of slack extending below the hole. Cable having up to 12 AWG wiring may be used. (Fig. 3) (**WARNING - Use cables having wires rated 90°C or more.**)

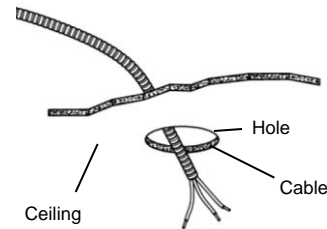


Fig. 3

4. Proceed to the “**ELECTRICAL CONNECTIONS**” section.

MOUNTING THE HOUSING TO THE CEILING

1. Slide the housing through the hole opening. (Fig. 4)

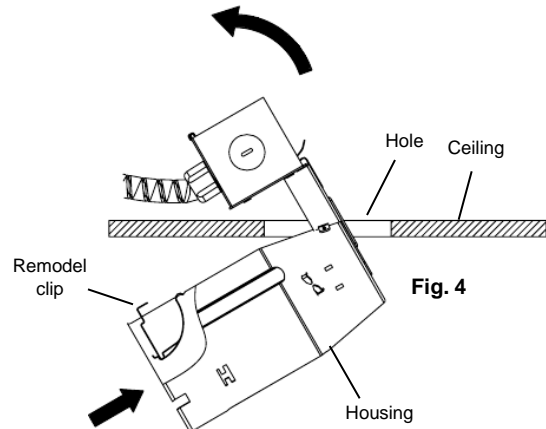


Fig. 4

2. When the "foot" of each remodel clip touches the ceiling, push the remodel clip through the "I" shaped opening. (Fig. 5)

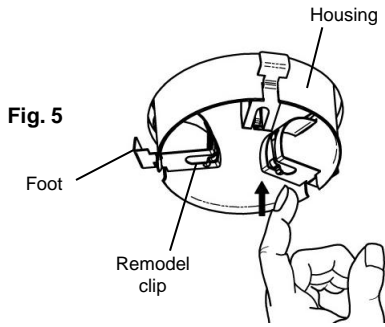


Fig. 5

3. Continue pushing the clips through, until they snap into position. The "foot" of each clip will hook the edge of the hole, preventing the housing from sliding further into the hole. (Fig. 6)

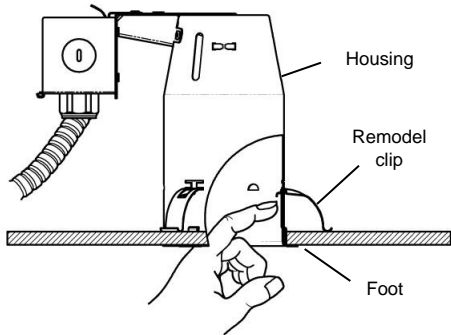


Fig. 6

4. Proceed to the "LIGHT BULB AND TRIM INSTALLATION" section.

NEW CONSTRUCTION INSTALLATION

HANGER BAR PREPARATION

The hanger bars are designed for joists that are spaced 16" (40,6 cm) to 26" (66,0 cm) (center to center) apart. If the joists are less than 16" (40,6 cm) apart, the hanger bars must be shortened to accommodate the narrower space. To shorten them:

1. Spread the bars as wide as possible. (Fig. 7)
2. For each hanger bar, bend the "male" bar, back and forth at the 1st crease from the center until it splits. Bend the "female" bar, back and forth, at the 1st notch from the center until it splits. (Fig. 7)

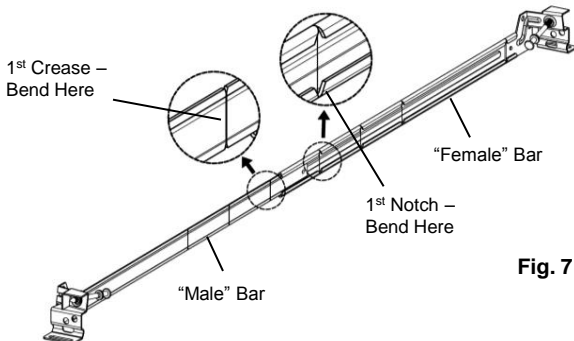


Fig. 7

3. Slide the "male" and "female" bars together and determine if the hanger bar has been shortened enough. If not, separate the "male" and "female" bars and break off additional material at the next crease and notch. Continue to break off material until proper length is achieved. Do not break off any more material than necessary.
4. Once proper length is achieved, separate the "male" and "female" bars. Slide the "female" bars into the guides of the plaster frame. Slide the "male" bars into the "female" bars.

CEILING JOIST INSTALLATION

1. Raise the plaster frame and hanger bar assembly to the desired location between the two ceiling joists. Adjust the width of both hanger bars to the distance between the joists. Position the assembly so that the mounting clips of the hanger bars cup underneath the bottom edges of the joists. Hammer down the nails of the hanger bars into the joists to secure the assembly into place. (Fig. 8)

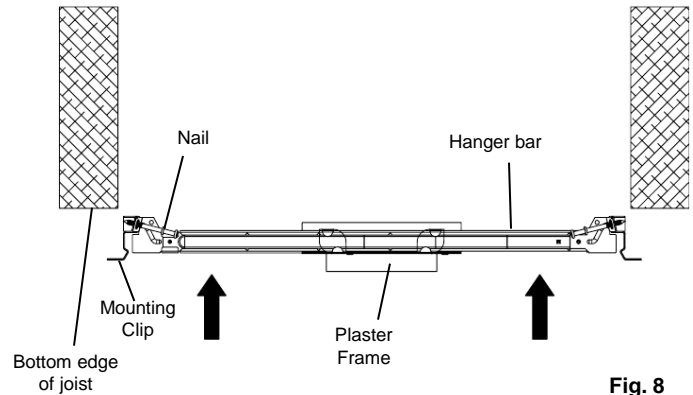


Fig. 8

2. Slide the plaster frame along the hanger bars to the desired position. Tighten the locking screw (not shown) of the plaster frame to lock it in place.
3. Run armored cable (BX) or non-metallic (NM) cable (also known as Romex) from your circuit breaker or fuse panel to the plaster frame hole, providing 6" (15,3 cm) to 8" (20,3 cm) of slack extending below the hole. Cable having up to 12 AWG wiring may be used. (Fig. 9) **(WARNING - Use cables having wires rated 90°C or more.)**

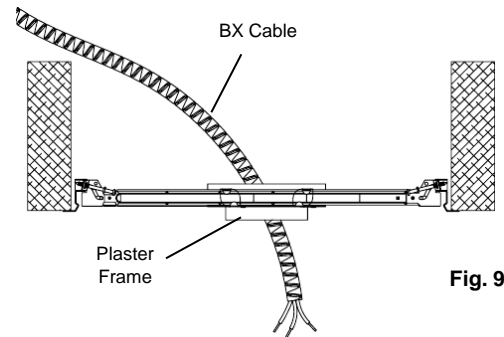


Fig. 9

4. Detach the remodel clips from the housing.
5. Proceed to the "ELECTRICAL CONNECTIONS" section.
6. Slide the housing through the hole opening, as shown. (Fig. 10 & Fig. 11)

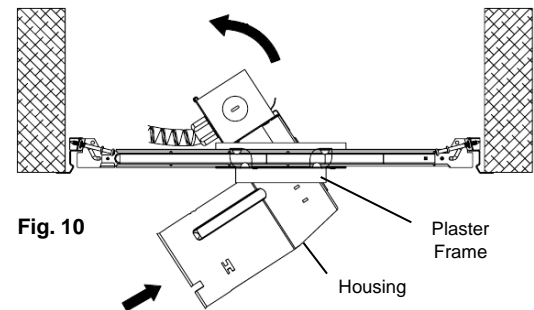


Fig. 10

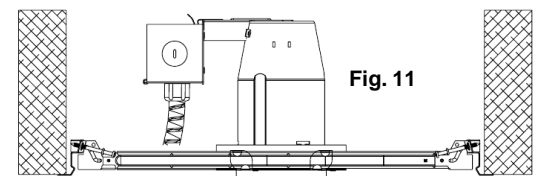


Fig. 11

7. Install the ceiling material, such as drywall, over the housing. A template is provided to assist in making the holes in the ceiling material.
8. Proceed to the "LIGHT BULB AND TRIM INSTALLATION" section.

DROP CEILING INSTALLATION

NOTE: Drop ceiling installations are similar to new construction installations, except the hanger bars are attached to the T-bars of a drop ceiling grid, instead of ceiling joists, as described below.

T-BAR INSTALLATION (Fig. 12)

1. Install a ceiling tile onto the T-bar grid at the installation location. Using the provided template and a keyhole saw make a hole at the desired location in the ceiling tile.
2. Place the plaster frame/hanger bar assembly onto the ceiling tile into the newly created hole, making sure the bottom of the plaster frame feeds through the hole. Adjust the width of both hanger bars to the distance between the two T-bars, aligning each mounting clip with the top of its corresponding T-bar. Press down on all mounting clips until they snap onto the T-bar. **NOTE:** Holes are provided on the mounting clips that can be used to secure the hanger bars to the T-bar. Parts (i.e. screws, hex nuts) can be purchased separately for this purpose.

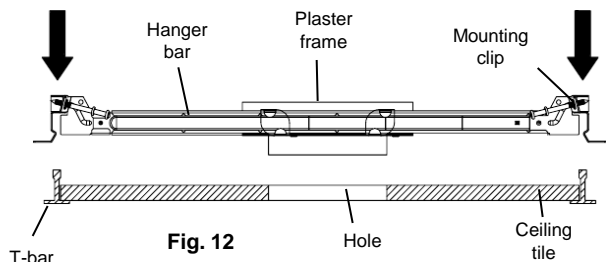


Fig. 12

3. Proceed to Step 3 of the "CEILING JOIST INSTALLATION" section.

ELECTRICAL CONNECTIONS (Fig. 13 & 14)

1. Open the junction box's door by pulling on its metal tab.
2. Break off one of the round knockouts from the junction box using a screwdriver. Secure an appropriately sized BX or NM (Romex) cable connector to the knockout opening. Feed the BX or NM (Romex) cable through the connector, providing 3" (7,6 cm) of slack inside the junction box. Tighten the connector to secure the cable in place.
3. Remove at least 3" (7,6 cm) of the cable's outer sheath and remove the plastic or paper over-wrap. Strip approximately 3/8" (1,0 cm) of insulation from the ends of all supply wires. Using wire nuts, make the following wire connections:

WHITE SUPPLY WIRE (NEUTRAL)	TO	WHITE FIXTURE WIRE
BLACK SUPPLY WIRE (HOT)	TO	BLACK FIXTURE WIRE
GREEN/BARE SUPPLY WIRE (GRND)	TO	GREEN FIXTURE WIRE

Be sure that there are no loose strands or loose wires.

4. Wrap all wire connections with electrical tape for a more secure connection. **NOTE:** If you have electrical questions, consult your local electrical code for approved grounding methods.
5. Carefully stuff all wires and wire connections into the junction box. Close the junction box's door.

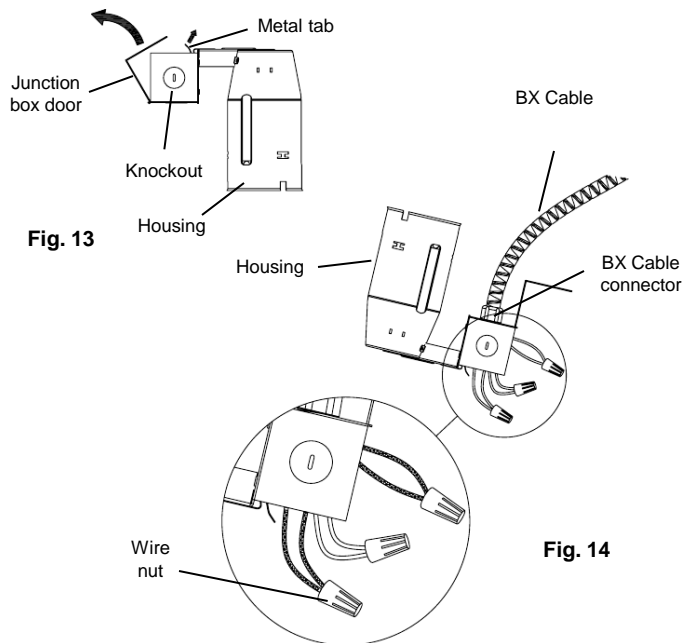


Fig. 13

Fig. 14

NOTE: In addition to the main supply cable entering the junction box, one more cable may be fed into the junction box to provide electrical power to another light fixture intended to be on the same circuit. No more than two cables can be fed into the junction box. It is very important that the knockout used for the second cable be adjacent to the knockout used for the first cable. Avoid using a knockout that is on the opposite side of the first knockout. Using an opposite knockout may make insertion through the ceiling hole more difficult.

LIGHT BULB AND TRIM INSTALLATION (Fig. 15)

1. Plug the FEMALE CONNECTOR of the TRIM onto the MALE CONNECTOR of the HOUSING.
2. Tuck all wires into the CAN and carefully push the TRIM into CAN.
3. Installation is complete. Restore electrical power.

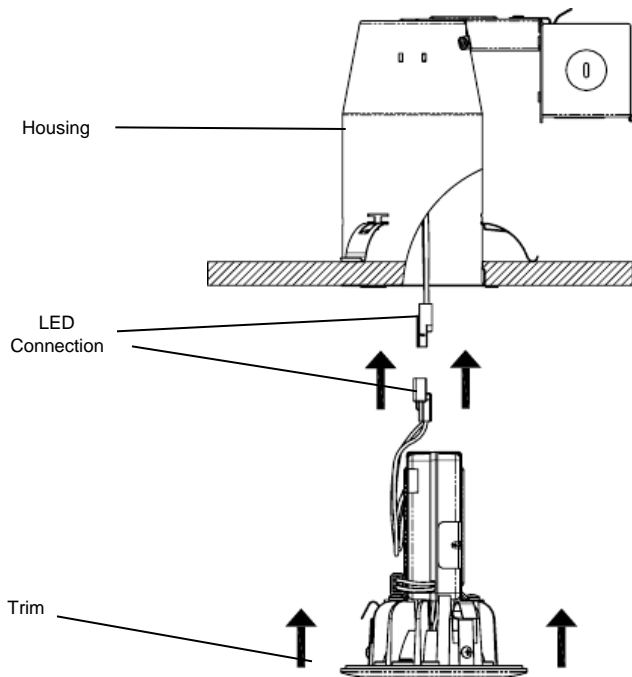


Fig. 15

TROUBLESHOOTING

SYMPTOM	POSSIBLE CAUSE	SOLUTION
The light does not turn on.	Wall switch or circuit breaker is off.	Turn on switch or circuit breaker.
	Incorrect or loose wire connections	Check wire connections
	Light bulb may be dead. Test light bulb in a known working light fixture.	Replace light bulb.
	LED driver has malfunctioned.	Replace LED driver
	Light bulb is loose.	Tighten light bulb in socket.
The light is turning off after being on for some time. Soon after, it turns back on. The light continues this cycle indefinitely.	The thermal sensor turning off due to excessive heat.	Space away any insulation at least 3" (7,6 cm) from the housing, as shown in Fig. 1

DIMMING

Although this product is compatible with most common residential type dimmers, dimming performance depends on dimmer, dimmer setting (for dimmers with brightness range adjustments), wiring method, and the number of LED modules. For best results, set dimmer position at maximum before adjusting to a lower light level.

Recommended Dimmers (minimum load for four LED modules maybe required for optimal dimming performance): Leviton Decora – 6631, IPI06, Lutron Skylark – S-603PGH, and Lutron Diva – DVWCL-153PDH, CTCL-15PDH, and TGCL-153PH.

DRIVER REPLACEMENT

1. **DISCONNECT MAIN POWER AT FUSE OR CIRCUIT BREAKER.**
2. Pull the RETROFIT TRIM down from the RECESSED HOUSING. Unplug the FEMALE CONNECTOR of the RETROFIT TRIM from the MALE CONNECTOR of the SOCKET ADAPTER ASSEMBLY.
3. Separate the LED DRIVER CONNECTOR from the RETROFIT TRIM CONNECTOR.
4. Remove the SCREWS from the BRACKETS holding the LED DRIVER in place and separate the OLD LED DRIVER from the RETROFIT TRIM.
5. Replace THE OLD LED DRIVER with the NEW LED DRIVER, securing it in place using the BRACKETS and SCREWS.
6. Connect the LED DRIVER CONNECTOR to the RETROFIT TRIM CONNECTOR.
7. Re-install the RETROFIT TRIM into the RECESSED HOUSING.

MODEL: RHPS311AL-JW1

Max Case
Temperature 90°C
Dimmable
LPS Power Supply

*tc

DC OUTPUT:
Regulated current 350 mA
Voltage range 12-21V
Maximum power 7.4 W
Maximum voltage 37 V
+ RED
- BLACK

AC INPUT:
120 Vac/ 200mA
60 Hz
AC INPUT
L-BLACK
N-WHITE

UL FILE E185815



Made in China

CDL

THREE-YEAR LIMITED WARRANTY

Commercial Electric® warrants this product to be free from defects in material and workmanship for three years from the original date of purchase by the consumer. This warranty is limited to the counter replacement at the time of purchase, with the original purchase receipt. **Commercial Electric®** will not be liable for the loss or damage of any kind, incidental or consequential damages of any kind, whether based on warranty contract or negligence, and arising in connection with the sale, use or repair of the product claimed to be defective. Some states do not allow the exclusion or limitation of incidental or consequential damages so the above limitation may not apply to you. This warranty gives you specific legal rights and you may also have other rights, which vary from state to state. Misuse, accident, improper installation or maintenance will also void the warranty.

LEER TODAS LAS INSTRUCCIONES

¿PREGUNTAS? LLAMA
GRATIS AL 1-800-345-0542

HERRAMIENTAS Y MATERIALES NECESARIOS

- Escalera
- Cable BX o NM
- Conectores de Cable BX o NM
- Serrucho de Punta Fina o Broca Sierra de 3 1/4” (8,3 cm)
- 3 Destornillador de Cabeza Plana
- Alicata Aislado
- Lápiz
- Cinta Aislante con Clasificación UL

PRECAUCIÓN

Antes de ensamblar tu lámpara, consulta la sección de “CONEXIONES ELÉCTRICAS”. Si crees que no tienes experiencia con cableado eléctrico, consulta el manual *hazlo tú mismo* sobre cableado o pídele a un electricista calificado y certificado que instale tu lámpara.

NOTA: Esta es una lámpara tipo IC. Puede entrar en contacto directo con aislamiento térmico. Puede ser completamente recubierta con aislamiento térmico como se muestra abajo. Adicionalmente, todas las partes de la lámpara pueden entrar en contacto directo con cualquier material combustible, como por ejemplo una viga de techo o un tablero de piso. (Fig. 1)

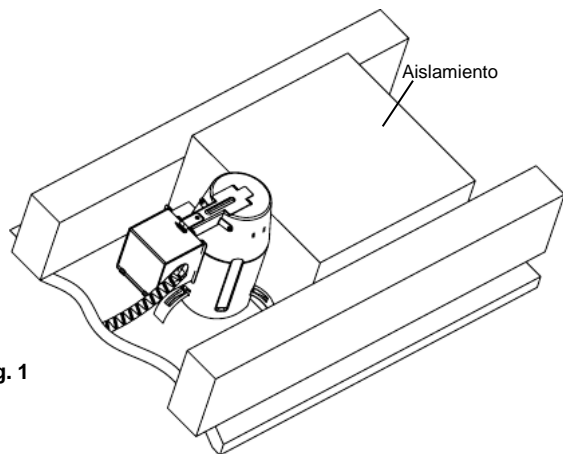


Fig. 1

NOTA IMPORTANTE

Fuera de la caja, este producto se puede utilizar en aplicaciones de remodelación. En usos para remodelación, ya existe una superficie de techo y no hay acceso a las vigas del techo de la parte superior. Para instalar esta lámpara, se debe abrir un orificio en el techo ya existente desde el lado de adentro de la habitación. Luego, debe pasarse el cableado a través del orificio y conectarse a la lámpara. Finalmente, se introducirá la lámpara en la abertura del techo y se fijará en la superficie usando el clips de remodelación. **Para utilizar este producto en aplicaciones de construcción nueva, el marco de yeso de Commercial Electric™ y el barra de suspensión de Commercial Electric™ se debe comprar por separado.** En una aplicación de la nueva construcción, la superficie del techo aún no se ha instalado y las vigas del techo están expuestas y accesibles.

ANTES DE EMPEZAR

1. Para garantizar una instalación satisfactoria, asegúrate de leer estas instrucciones y revisar minuciosamente los diagramas antes de empezar.
2. Todas las conexiones eléctricas deben cumplir con las ordenanzas y códigos locales. Si no estás familiarizado con los métodos de instalación del cableado eléctrico, contrata los servicios de un electricista certificado y calificado.
3. Antes de comenzar la instalación, desconecta el suministro de electricidad, apagando el cortacircuitos o retirando el fusible en la caja de fusibles. Desconectar la electricidad en el interruptor de la pared no será suficiente para prevenir una descarga eléctrica.
4. Verifica que la fuente de electricidad sea adecuada para una carga eléctrica adicional. La electricidad debe venir de un solo circuito de 110/120 voltios, 60 Hz. Un circuito derivado estándar de 120 voltios y 15 amperios está diseñado para soportar una carga máxima de 1800 vatios. Recomendamos que el vataje total de todas las luces y electrodomésticos del circuito no exceda el 80% de la capacidad eléctrica máxima, o 1440 watts.
5. Esta lámpara está diseñada para ser usada en superficies de techo con un grosor de 3/8 in. (1,0 cm), 1/2 in. (1,3 cm) o 5/8 in. (1,6 cm). No puede usarse en techos de otro grosor.

DESEMPACAR LA LUMINARIA

Revisa el contenido de la caja. Debes tener:

- 1 – Cubierta (lata, caja eléctrica)
- 1 – Adorno
- 1 – Plantilla
- 3 – Clips de remodelación (pre-adjunta a la cubierta)
- 3 – Tuercas de cable

COMENCEMOS

ADVERTENCIA: Primero desconecta la electricidad en el cortacircuitos o en la caja de fusibles. Desconectar la electricidad en el interruptor de la pared no será suficiente para prevenir una descarga eléctrica.

Elige el lugar donde irá(n) la(s) lámpara(s), tomando en cuenta que debe(n) contar con 6” (15,2 cm) de espacio de profundidad, tener acceso al suministro eléctrico, y estar a 1/2” (1,3 cm) de las vigas, tableros de piso, cualquier otro material inflamable.

REMODELAR LA INSTALACIÓN

ABRIR EL ORIFICIO/PASAR EL CABLEADO DE SUMINISTRO POR EL ORIFICIO

1. Una vez que has elegido el lugar adecuado corta una abertura de 3 1/4” (8,3 cm) en el techo. Se ha incluido una plantilla para ayudarte a abrir el orificio. (Fig. 2)

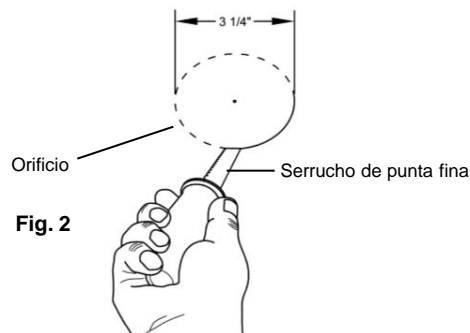


Fig. 2

2. Descarta cualquier aislamiento de modo que dejes los 3” (7,6 cm) de espacio especificados en la sección de **PRECAUCIÓN** que está al principio de estas instrucciones. (Ver Fig. 1)
3. Pasa el cable blindado (BX) o el cable no metálico (NM) (también conocido como Romex) a través del cortacircuitos o panel de fusibles hasta el orificio de 3 1/4” (8,3 cm), dejando entre 6” (15,2 cm) y 8” (20,3 cm) de cable sobrante extendido por debajo del orificio. Puedes usar cables con un máximo de 12 AWG de cableado. (Fig. 3) **(ADVERTENCIA- Usa cables con clasificación de 90°C o mayor).**

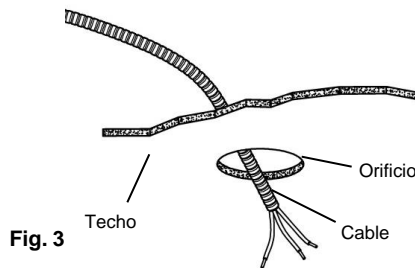


Fig. 3

4. Continúa con la sección de “CONEXIONES ELÉCTRICAS”.

MONTAR LA CARCASA EN EL TECHO

1. Deslice la cubierta a través del orificio del techo (Fig. 4).

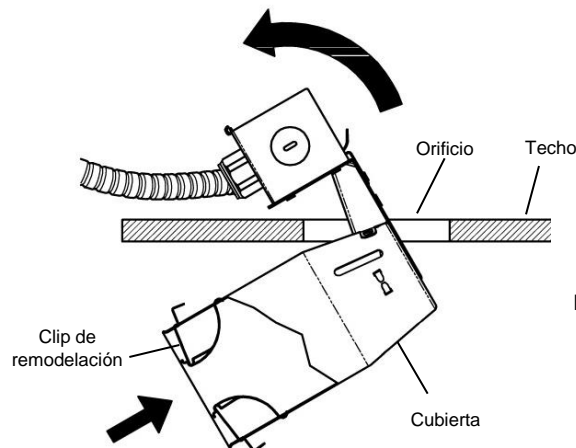
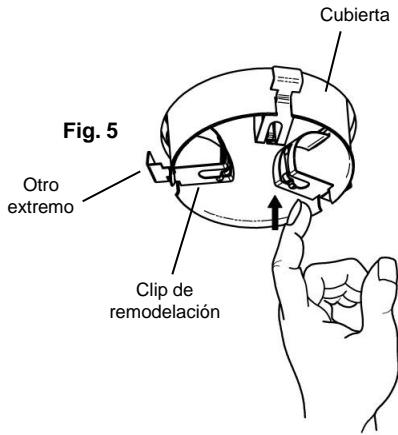
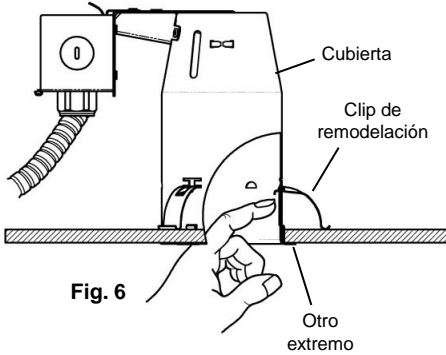


Fig. 4

2. Cuando la cubierta esté casi completamente insertada, empuje los clips de remodelación a través de la abertura de la ranura en "I". (Fig. 5)



3. El clip finalmente entrará a presión en la posición cerrada. El "pie" enganchará el borde de la abertura del agujero (Fig. 6).



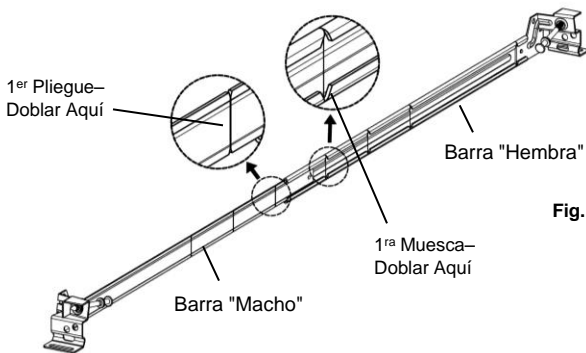
4. Continúa con la sección de "INSTALACIÓN DEL FOCO Y EL ADORNO".

CONSTRUCCIÓN NUEVA LA INSTALACIÓN

PREPARACIÓN DE LA BARRA PARA COLGAR

Las barras para colgar están diseñadas para montarse entre vigas con 16" (40,6 cm) a 26" (66,0 cm) de separación (de centro a centro). Si las vigas están a menos de 16" (40,6 cm) de distancia, las barras para colgar se deben acortar para ajustarse al espacio angosto. Para acortarlas:

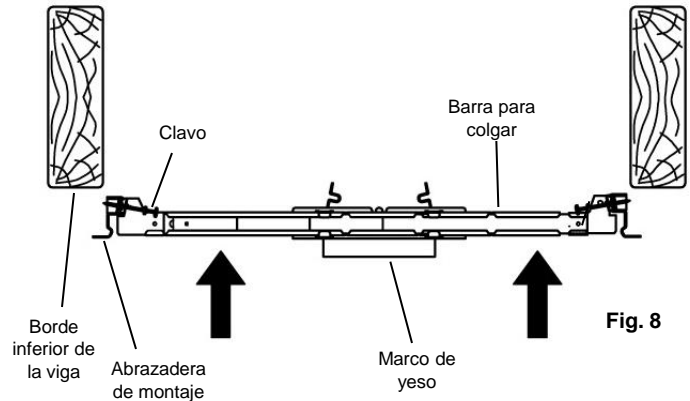
1. Abre las barras lo más posible. (Fig. 7)
2. Dobla hacia adelante y hacia atrás en el 1^{er} pliegue desde el centro, la barra "macho" de cada barra para colgar, hasta que se separe. Dobla la barra "hembra" hacia adelante y hacia atrás, en la 1^{ra} muesca desde el centro, hasta que se separe. (Fig. 7)



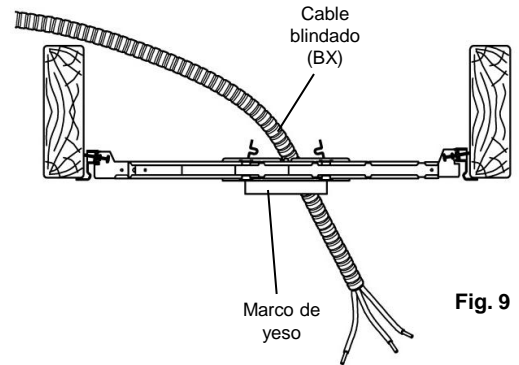
3. Desliza las barras "macho" y hembra hasta juntarlas y verifica si la barra de colgar está lo suficientemente corta. Si no, separa las barras "macho" y "hembra" y desprende cualquier material de sobra en el pliegue y muesca siguientes. Desprende material hasta alcanzar el largo apropiado. No desprendas más de lo necesario.
4. Una vez que se ha alcanzado el largo correcto, separa las barras "macho" y "hembra". Inserta las barras "hembra" en las guías del marco de yeso. Inserta las barras "macho" en las barras "hembra".

INSTALACIÓN EN VIGAS DEL TECHO

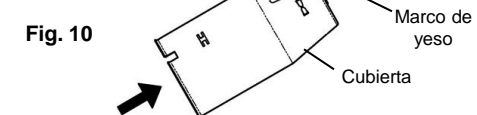
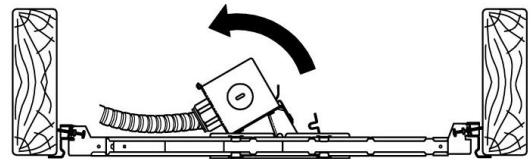
1. Alza ensamblaje del marco de yeso y barra para colgar hasta la posición deseada entre las dos vigas del techo. Ajusta el ancho de las dos barras para colgar según la distancia entre las vigas. Coloca el ensamblaje de modo que las abrazaderas de montaje de las barras para colgar queden debajo de los bordes inferiores de las vigas. Martilla los clavos de las barras para colgar en las vigas para fijar el ensamblaje en su sitio. (Fig. 8)



2. Desliza el marco de yeso a lo largo de las barras para colgar hasta la posición deseada. Apriete el tornillo de sujeción (no se muestra) de la estructura de yeso para que encaje en su posición.
3. Pasa el cable blindado (BX) o el cable no metálico (NM) (también conocido como Romex) a través del cortacircuitos o panel de fusibles hasta el orificio del marco de yeso, dejando entre 6" (15,2 cm) y 8" (20,3 cm) de cable sobrante extendido por debajo del orificio. Puedes usar cables con un máximo de 12 AWG de cableado. (Fig. 9) **(ADVERTENCIA- Usa cables con clasificación de 90°C o mayor).**



4. Separe los clips de remodelación de la cubierta.
5. Continúa con la sección de "CONEXIONES ELÉCTRICAS".
6. Deslice la cubierta a través del orificio del techo (Fig. 10 & Fig. 11)



7. Instala el material del techo, como por ejemplo *drywall*, sobre la carcasa. Se ha incluido una plantilla para ayudarte a marcar los orificios en el material del techo.
8. Continúa con la sección de "INSTALACIÓN DEL FOCO EL ADORNO".

INSTALACIÓN EN TECHO FALSO

NOTA: Las instalaciones de falso techo son similares a las instalaciones de nueva construcción, salvo las barras de suspensión están unidos a las barras en T de una rejilla de falso techo, en lugar de las vigas del techo, como se explica a continuación.

INSTALACIÓN SOBRE BARRA EN T (Fig. 12)

1. Instala una placa de techo en el sistema de suspensión en T donde irá la lámpara. Usa la plantilla incluida y un serrucho de punta fina para abrir un orificio sitio deseado de la placa de techo.
2. Coloca el ensamblaje de la barra de colgar y el marco de yeso sobre la placa de techo. Ajusta el ancho de las dos barras para colgar según la distancia entre las dos barras en T, alineando cada abrazadera de montaje con el tope de la barra en T correspondiente. Ejerce presión sobre todas las abrazaderas de montaje hasta que encajen en la barra en T. **NOTA:** Las abrazaderas de montaje tienen orificios que pueden usarse para asegurar las barras para colgar a la barra en T. Las piezas necesarias (es decir, tornillos, tuercas hexagonales) pueden comprarse por separado.

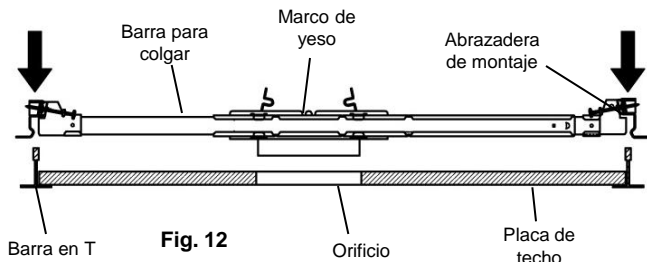


Fig. 12

3. Proceed to Step 3 of the "CEILING JOIST INSTALLATION" section.

CONEXIONES ELÉCTRICAS (Fig. 13 & 14)

1. Abre la puerta de la caja eléctrica levantando el pestillo de metal.
2. Con un destornillador, rompe el tapón de una de las entradas redondas en la caja eléctrica. Conecta un cable conector de cable BX o un cable conector de cable NM (ROMEX) del tamaño adecuado en la abertura de la entrada. Pasa el cable BX o cable NM (ROMEX) a través del conector, dejando 3" (7,6 cm) de cable holgado dentro de la caja eléctrica. Ajusta el conector para asegurar el cable en su sitio.
3. Retira al menos 3" (7,6 cm) del revestimiento exterior del cable y quita la envoltura de papel o plástico. Quita aproximadamente 3/8" (1,0 cm) de aislamiento de los extremos de los cables de suministro. Usando las tuercas de cable, haz las siguientes conexiones:

CABLE DE SUMINISTRO BLANCO (NEUTRO) LÁMPARA	AL	CABLE BLANCO DE LA LÁMPARA
CABLE DE SUMINISTRO NEGRO (VIVO)	AL	CABLE NEGRO DE LA LÁMPARA
CABLE DE SUMINISTRO VERDE/ DESNUDO (A TIERRA)	AL	CABLE VERDE DE LA LÁMPARA

Asegúrate de que no hay hilos o cables sueltos.

4. Envuelve todas las conexiones de cables con cinta de aislar para una conexión más segura. **NOTA: Si tiene preguntas con respecto a las conexiones eléctricas, consulte el código eléctrico de su localidad para los métodos aprobados de la conexión a tierra.**
5. Con cuidado, introduce todos los cables y conexiones de cable en la caja eléctrica. Cierre la puerta de la caja eléctrica.

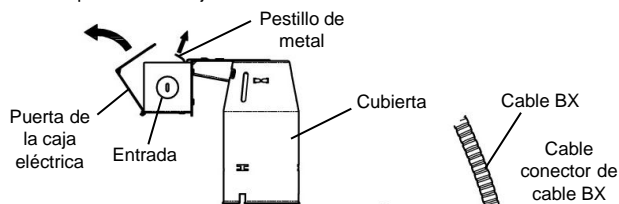


Fig. 13

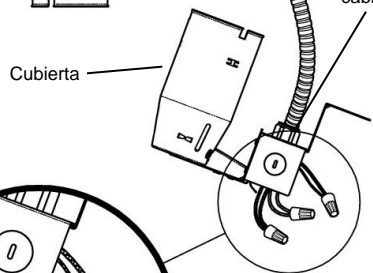


Fig. 14

Tuerca de cable

NOTA: Además del cable principal de suministro, se puede conectar otro cable a la caja eléctrica que dé electricidad a otra lámpara en el mismo circuito. No pueden conectarse más de dos cables en la caja eléctrica. Es muy importante que la entrada utilizado para el segundo cable colindante con la entrada utilizado para el primer cable. Evite el uso de un entrada que está en el lado opuesto de la primera entrada. El uso de un entrada lo contrario puede hacer la inserción a través del agujero del techo más difícil.

INSTALACIÓN DEL FOCO Y EL ADORNO (Fig.15)

1. Enchufe el CONECTOR HEMBRA del ADORNO DECORATIVO en el CONECTOR MACHO de la CAJA.
2. Coloque todos los cables en el Alojamiento de la Lámpara y presione con cuidado el ADORNO DECORATIVO en el Alojamiento de la Lámpara.
3. La instalación está completa. Reestablezca la energía eléctrica.

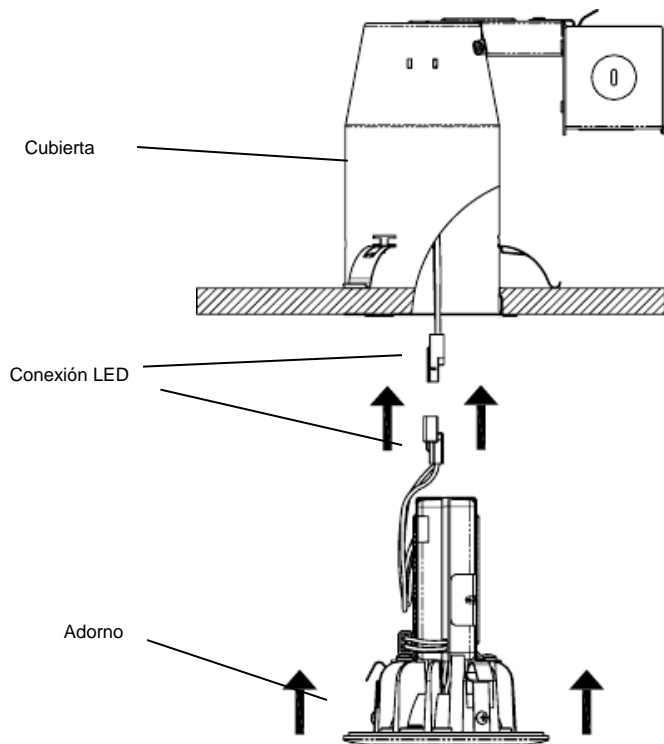


Fig. 15

SOLUCIÓN DE PROBLEMAS

SÍNTOMA	POSIBLE CAUSA	SOLUCIÓN
La luz no enciende.	El interruptor de la pared o el cortacircuitos están apagados.	Enciende el interruptor o el cortacircuitos.
	Los cables están flojos o conectados incorrectamente	Revisa las conexiones
	Es posible que la bombilla no sirva. Prueba la bombilla en otra lámpara.	Reemplaza la bombilla.
	La bombilla está floja.	Taprieta la bombilla en el portabombillas.
La luz se apaga después de algún tiempo. Poco después, se vuelve a encender. La luz continúa este ciclo indefinidamente.	El conductor falló.	Reemplaza el conductor
	El sensor térmico se apaga por exceso de calor.	Espacio a la basura cualquier aislamiento por lo menos 3" (7,6 cm) de la vivienda, como se muestra en la Fig. 1.

REGULADOR DE INTENSIDAD DE LA LUZ

Aunque este producto es compatible con la mayoría de los reguladores (“*dimmers*”) residenciales más comunes, su rendimiento depende del regulador, ajuste del regulador (en modelos con ajustes para escala de luminosidad), método de cableado y número de módulos LED. Para mejores resultados, coloque el regulador en la posición máxima antes de ajustarlo a un nivel de luz más bajo.

Reguladores recomendados (podría ser necesaria una carga mínima para cuatro módulos LED para un rendimiento óptimo): Leviton Decora – 6631, IP106, Lutron Skylark – S-603PGH, and Lutron Diva – DVWCL-153PDH, CTCL-15PDH, y TGCL-153PH.

REEMPLAZO DE CONTROLADOR

1. **Desconecte la alimentación principal de en el fusible o disyuntor.**
2. Baje el adaptador decorativo desde la caja empotrada. Desenchufe el conector hembra (de la caja empotrada) y el conector macho (del conjunto del adaptador de enchufe).
3. Separe el conector controlador de LED del conector del adaptador decorativo.
4. Quite los tornillos de los SOPORTES del controlador de LED y separar el antiguo controlador de LED del adaptador decorativo.
5. Reemplaza el controlador de LED antiguo con el nuevo controlador de LED y sujétalo en su lugar con los SOPORTES y tornillos del controlado de LED.
6. Enchufe el conector controlador de LED con el conector del adaptador decorativo.
7. Vuelva a instalar el adaptador decorativo en la caja empotrada.

MODELO: RHPS311AL-JW1

Temperatura Máxima
de la Caja 90°C
Luz Regulable
Fuente de Alimentación LPS



SALIDA DE DC:
Corriente regulado 350 mA
Intervalo de voltaje 12-21V
Potencia máxima 7.4 W
Voltaje máximo 37 V
+ ROJO
- NEGRO

ENTRADA DE AC:
120 Vac/200mA
50/60 Hz
ENTRADA DE AC
L-NEGRO
N-BLANCO

UL E185815



CDL

Hecho en China

GARANTÍA LIMITADA POR TRES AÑOS

Commercial Electric® garantiza este producto contra defectos en sus materiales y mano de obra por un plazo de tres años a partir de la fecha de compra. Esta garantía está limitada al cambio del producto en el mostrador al momento de la compra, con la presentación del recibo de compra original. **Commercial Electric®** no se responsabiliza por ningún tipo de pérdida o daño así como tampoco por daños incidentales o indirectos, ya sea que se basen en el contrato de garantía o en negligencia y que resulten de la venta, uso o reparación del producto que se reclama como defectuoso. Algunos estados no permiten la exclusión o limitación de daños incidentales o indirectos por lo cual la limitación anterior podría no aplicar a su caso. Esta garantía le otorga derechos legales específicos y usted podría tener otros derechos que varían según el estado. El uso indebido, accidente, instalación o mantenimiento incorrectos invalidarán también la garantía.

LISEZ TOUTES LES INSTRUCTIONS

DES QUESTIONS? APPELEZ SANS FRAIS AU 1-800-345-0542

OUTILS ET MATÉRIAUX NÉCESSAIRES

- Échelle
- Câble BX ou NM
- Connecteurs de câble BX ou NM
- Scie à guichet ou scie emporte-pièce de 8,3 cm (3 1/4 in.)
- Tournevis à tête plate
- Pincettes isolantes
- Crayon
- Ruban isolant homologué UL

MISE EN GARDE

Avant de commencer à assembler votre luminaire, consultez les directives à la partie « **RACCORDEMENTS ÉLECTRIQUES** ». Si vous ne connaissez pas les principes de raccordement d'une installation électrique, consultez un manuel d'installation électrique ou utilisez les services d'un électricien qualifié.

À NOTER : Ce luminaire est conçu pour les plafonds isolés. Il peut entrer en contact direct avec l'isolant thermique. Il peut être entièrement recouvert d'isolant thermique, tel qu'illustré ci-dessous. De plus, toute partie du luminaire peut entrer en contact direct avec un matériau combustible, telle une solive de plafond ou du bois de plancher. (FIG. 1) .

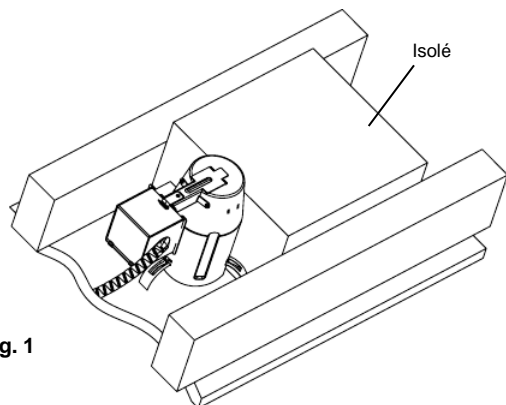


Fig. 1

NOTE IMPORTANTE

Hors de la boîte, ce produit peut être utilisé dans des applications remodeler. Par plafond existant, on entend un plafond cloisonné qui n'offre aucun accès aux solives situées derrière la cloison du plafond. Pour installer ce luminaire, il faut découper un orifice dans la cloison du plafond, puis passez les fils d'alimentation dans l'orifice pour les relier à la boîte de jonction du luminaire. La niche est ensuite insérée dans l'orifice du plafond, où elle se fixe en place grâce à des fixations qui exercent une pression sur le dessus de la cloison. **Pour utiliser ce produit dans les applications de nouvelle construction, un cadre en plâtre de Commercial Electric™ et un kit de barre de suspension de Commercial Electric™ doivent être achetés séparément.** Dans une nouvelle construction, la surface du plafond n'a pas encore été installée et les solives du plafond sont encore exposées et accessibles.

AVANT DE COMMENCER

1. Afin d'installer le luminaire adéquatement, veuillez lire toutes les instructions et examiner attentivement les schémas avant de commencer.
2. Tous les raccordements électriques doivent être conformes aux normes et règlements locaux, de même qu'au code national de l'électricité. Si vous ne connaissez pas les principes de raccordement d'une installation électrique, veuillez utiliser les services d'un électricien qualifié.
3. Avant de commencer l'installation, couper l'alimentation au niveau du disjoncteur ou en retirant le fusible correspondant dans la boîte à fusibles. La mise hors tension à l'aide de l'interrupteur du luminaire n'est pas suffisante pour éliminer le risque de décharge électrique.
4. Vérifiez que la source d'alimentation supporte la charge électrique supplémentaire. L'alimentation doit être fournie par un circuit simple de 110/120 V, 60 Hz. Un circuit de dérivation standard de 120 V, 15 A est conçu pour une charge maximale de 1 800 W. La puissance totale recommandée de toutes les lampes et autres dispositifs branchés sur ce circuit ne doit pas dépasser 80 % de la capacité électrique maximale, soit 1 440 W.
5. **Ce luminaire est conçu pour une installation sur une cloison de plafond d'une épaisseur de 1,0 cm (3/8 in.), 1,3 cm (1/2 in.) ou 1,6 cm (5/8 in.). Le luminaire ne peut pas être installé sur un plafond d'une autre épaisseur.**

DÉBALLER LE LUMINAIRE

Vérifiez le contenu de la boîte. Vous devriez y trouver :

- 1 boîtier (niche, boîte)
- 1 gabarit
- 3 raccords de câble de jonction
- 3 fixations pour rénovation (pré-fixé sur le boîtier)

POUR COMMENCER

MISE EN GARDE : coupez tout d'abord l'alimentation électrique au niveau du disjoncteur. La mise hors tension à l'aide de l'interrupteur mural n'est pas suffisante pour éliminer les risques de décharge électrique.

Choisissez l'emplacement du luminaire en tenant compte du dégagement minimal requis de 15,2 cm (6 in.), de l'accès à une source d'alimentation électrique et du dégagement minimal de 1,3 cm (1/2 in.) par rapport aux solives, au bois du plancher ou à toute autre matière combustible.

L'INSTALLATION DE REMODELER

DÉCOUPAGE DE L'ORIFICE ET PASSAGE DES FILS D'ALIMENTATION

1. Découpez un orifice de 8,3 cm (3 1/4 in.) dans la cloison du plafond à l'emplacement désiré. Utilisez le gabarit fourni pour tracer un cercle au plafond. (Fig. 2)

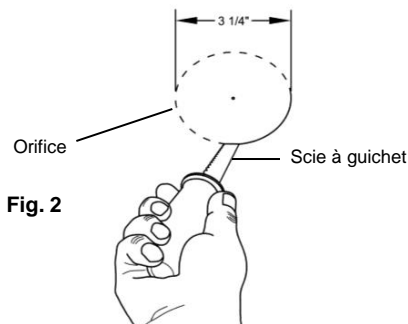


Fig. 2

2. Retirez l'isolant de manière à permettre un dégagement de 7,6 cm (3 in.), tel qu'indiqué dans la partie « **MISE EN GARDE** », au début du mode d'installation. (Voir Fig. 1)
3. Passez un câble armé (BX) ou un câble non métallique (NM) (également appelé câble Romex) du disjoncteur ou de la boîte de fusibles jusqu'à l'orifice de 8,3 cm (3 1/4 in.), en laissant dépasser une longueur de 15,2 cm (6 in.) - 20,3 cm (8 in.) hors de l'orifice. Vous pouvez utiliser un câble de calibre 12 AWG ou moins. (Fig. 3) **(MISE EN GARDE : utilisez des fils d'alimentation conçus pour résister à une température de 90° et plus.)**

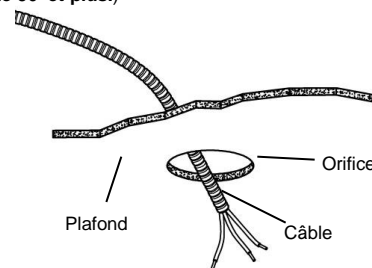


Fig. 3

4. Consultez la section « **CONNEXIONS ÉLECTRIQUES** ».

INSTALLATION DE LA NICHE AU PLAFOND

1. Faites glisser le boîtier dans l'orifice (Fig. 4).

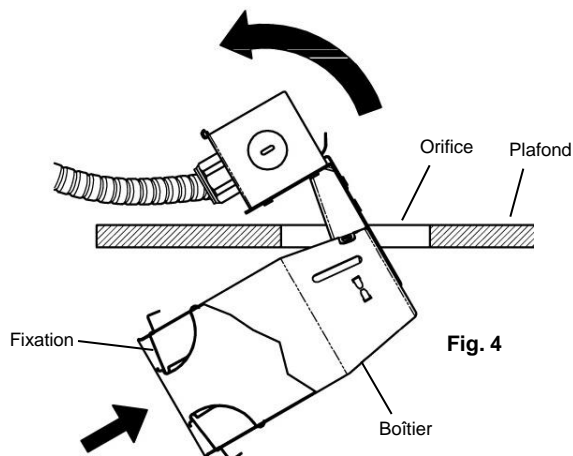


Fig. 4

2. Lorsque le pied de chacune des fixations touche le plafond, poussez les fixations à travers les encoches en « I » jusqu'à ce qu'elles s'enclenchent. (Fig. 5)

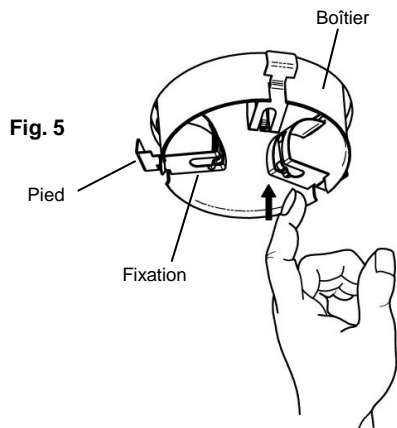


Fig. 5

3. Continuez à pousser les fixations à travers, jusqu'à ce qu'ils s'enclenchent. Le « pied » de chaque fixation s'agrippera au bord du trou, empêchant ainsi le boîtier de s'enfoncer plus loin (Fig. 6).

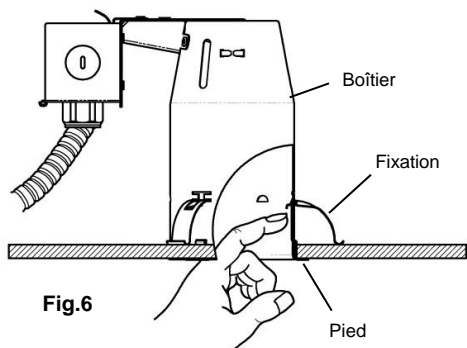


Fig. 6

4. Consultez la section « INSTALLATION DE L'AMPOULE ET DE LA GARNITURE ».

L'INSTALLATION DE NOUVELLE CONSTRUCTION

PRÉPARATION DU SUPPORT DE FIXATION

Les barres de suspension sont conçues pour les solives de plafond espacées de 40,6 cm (16 in.) à 66,0 cm (26 in.) (d'un centre à l'autre). Si les solives sont installées à moins de 40,6 cm (16 in.) les unes des autres, les barres de suspension doivent être raccourcies. Pour ce faire, vous devez:

1. Allongez les barres au maximum. (Fig. 7)
2. Pliez la section « mâle » de chacune des barres de suspension d'avant en arrière au niveau de la première rainure à partir du centre, jusqu'à ce que la barre se sectionne en deux. Pliez la section « femelle » d'avant en arrière au niveau de la première encoche à partir du centre jusqu'à ce que la barre se sectionne en deux. (Fig. 7)

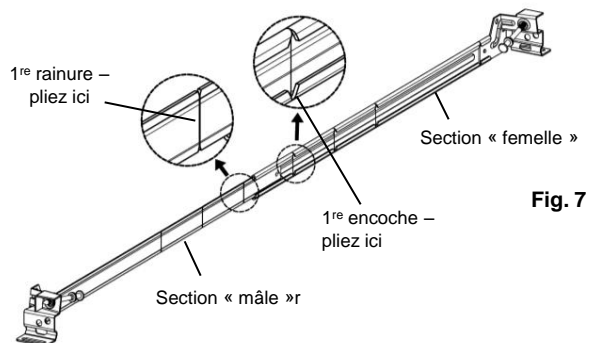


Fig. 7

3. Glissez les sections « mâles » et « femelles » l'une dans l'autre pour vérifier si la barre de suspension a été suffisamment raccourcie. Au besoin, séparez de nouveau les deux sections et raccourcissez chacune d'entre elles à la prochaine rainure ou encoche, jusqu'à ce que vous obteniez la longueur désirée. Prenez garde de ne pas trop raccourcir la barre.
4. Lorsque vous avez obtenu la longueur désirée, séparez les sections « mâles » et « femelles ». Glissez les sections « femelles » dans les guides du cadre à sceller. Glissez les sections « mâles » dans les sections « femelles ».

INSTALLATION SUR SOLIVES DE PLAFOND

1. Soulevez le cadre en plâtre et les barres de suspension vers l'emplacement désiré entre les deux solives de plafond. Ajustez la largeur des deux barres de suspension en fonction de la distance qui sépare les deux solives. Placez le luminaire de manière que les supports des barres de suspension reposent contre le bord inférieur des solives. Enfoncez les clous des barres de suspension dans les solives à l'aide d'un marteau pour fixer le luminaire en place. (Fig. 8)

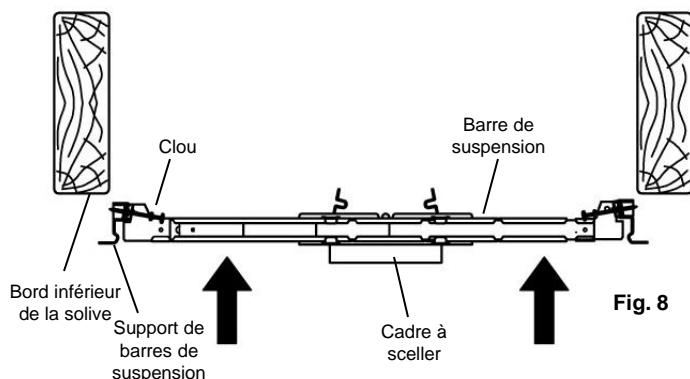


Fig. 8

2. Glissez le cadre à sceller le long des barres de suspension jusqu'à l'emplacement désiré. Serrer la vis de blocage (pas montré) du cadre en sceller pour le verrouiller en place.
3. Passez un câble armé (BX) ou un câble non métallique (NM) (également appelé câble Romex) du disjoncteur ou de la boîte de fusibles jusqu'à l'orifice de cadre en plâtre, en laissant dépasser une longueur de 15,24 cm (6 in.) - 20,32 cm (8 in.) hors de l'orifice. Vous pouvez utiliser un câble de calibre 12 AWG ou moins. (Fig. 9) **(MISE EN GARDE : utilisez des fils d'alimentation conçus pour résister à une température de 90° et plus.)**

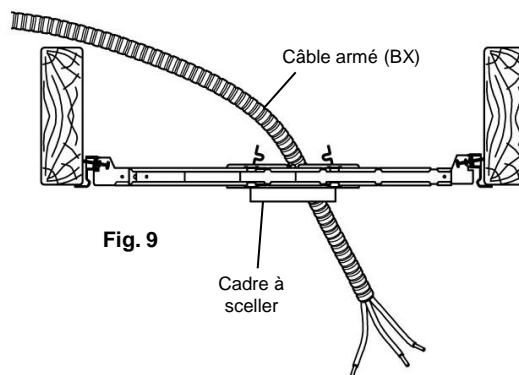


Fig. 9

4. Détachez les fixations du boîtier.
5. Consultez la section « CONNEXIONS ÉLECTRIQUES ».
6. Faites glisser le boîtier dans le orifice, comme indiqué. (Fig. 10 & Fig. 11)

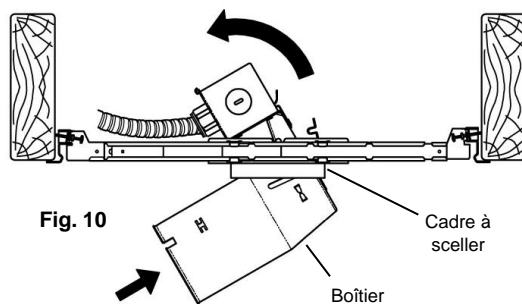


Fig. 10

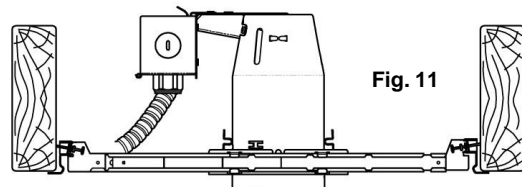


Fig. 11

7. Installez les cloisons du plafond (ex: cloison sèche) par-dessus la niche. Utilisez le gabarit fourni pour pratiquer les ouvertures nécessaires dans la cloison du plafond.
8. Consultez la section « INSTALLATION DE L'AMPOULE ET DE LA GARNITURE ».

INSTALLATION DANS UN PLAFOND SUSPENDU

À NOTER : les installations dans plafond suspendu sont similaires aux installations nouvelles constructions, à l'exception des barres de suspension sont attachés à la T-barres d'une grille de plafond suspendu, au lieu de solives de plafond, comme décrit ci-dessous.

INSTALLATION SUR LE BARRE EN T (Fig. 12)

1. Installez un carreau pour plafond sur les barres en T, à l'endroit désiré. À l'aide du gabarit et d'un passe-partout, pratiquer une ouverture dans le plafond, à l'emplacement désiré.
2. Placez le cadre à sceller et les barres de suspension sur la carreau pour plafond. Ajustez la largeur des barres de suspension de la niche pour qu'elle corresponde à la distance entre les deux barres en T, en alignant chacune des supports avec le dessus de la barre en T correspondante. Appuyez sur toutes les fixations jusqu'à ce qu'elles s'enclenchent sur la barre en T. **À NOTER** : les fixations comportent des trous pour permettre de fixer les barres de suspension aux barres en T. Des pièces (ex: vis, écrous hexagonaux) peuvent être achetées séparément à cette fin.

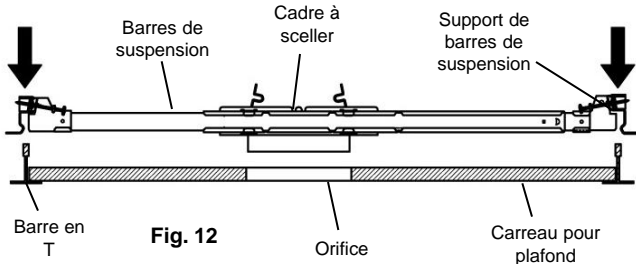


Fig. 12

RACCORDEMENTS ÉLECTRIQUES (Fig. 13 & 14)

1. Ouvrez le couvercle de la boîte de jonction en soulevant le loquet de métal.
2. Enfoncez une des entrées défonçables de la boîte de jonction à l'aide d'un tournevis. Fixez un connecteur de câble BX ou un connecteur de câble NM (ROMEX) de taille adéquate dans l'ouverture de l'entrée défonçable. Passez le câble BX ou câble NM (ROMEX) dans le connecteur, en laissant dépasser une longueur de 7,62 cm (3 in.) à l'intérieur de la boîte de jonction. Serrez le connecteur pour fixer le câble en place.
3. Retirez la gaine du câble sur une longueur d'au moins 7,62 cm (3 in.) et enlevez le plastique ou l'enveloppe de papier. Dénudez l'extrémité des fils d'alimentation sur une longueur d'environ 1,0 cm (3/8 in.). À l'aide des raccords de câble, effectuez les raccordements suivants :

FIL D'ALIMENTATION BLANC (NEUTRE) TO FIL BLANC DU LUMINAIRE
 FIL D'ALIMENTATION NOIR (CHAUD) TO FIL NOIR DU LUMINAIRE
 FIL D'ALIMENTATION VERT/NU (TERRE) TO FIL VERT DU LUMINAIRE

Veillez à ce qu'il n'y ait aucun brin ou fil lâche.

4. Enroulez toutes les connexions avec du ruban isolant pour plus de sécurité. **À NOTER** : si vous avez des questions concernant l'installation électrique, veuillez consulter le code de l'électricité en vigueur dans votre province pour connaître les méthodes de mise à la terre approuvées.
5. Rentez soigneusement tous les fils à l'intérieur de la boîte de jonction. Fermez le couvercle de la boîte de jonction.

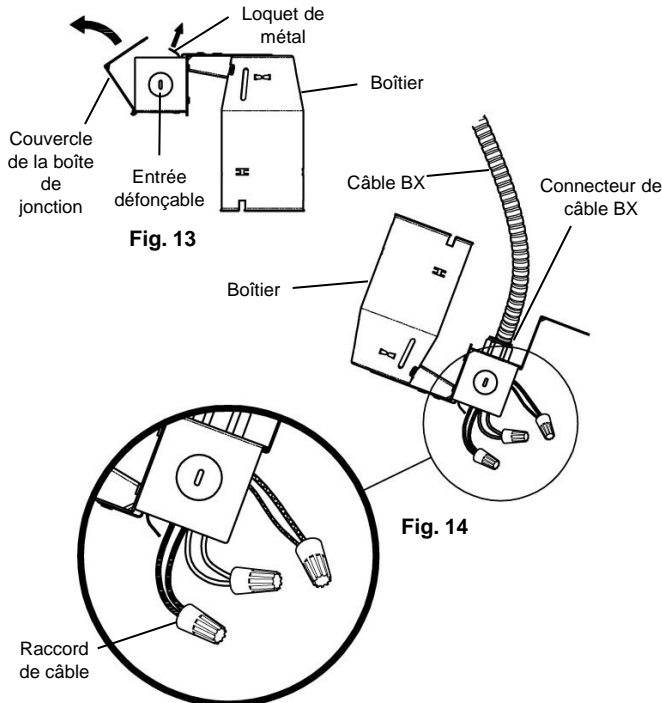


Fig. 13

Fig. 14

À NOTER : Outre le câble d'alimentation principal, la boîte de jonction peut accueillir un second câble pour alimenter un autre luminaire relié au même circuit. Ne pas relier plus de deux câbles à une même boîte de jonction. Il est très important que l'entrée défonçable utilisée pour le second câble sera adjacent au l'entrée défonçable utilisé pour le premier câble. Évitez d'utiliser un entrée défonçable qui est sur le côté opposé de la première entrée défonçable. En utilisant une entrée défonçable contraire peut rendre l'insertion dans le trou au plafond plus difficile.

INSTALLATION DE L'AMPOULE ET DE LA GARNITURE (Fig. 15)

1. Branchez le CONNECTEUR FEMELLE de la GARNITURE dans le CONNECTEUR MÂLE du BOÎTIER.
2. Rentez tous les fils dans le BOÎTIER et poussez doucement la GARNITURE DE RÉNOVATION dans le BOÎTIER.
3. L'installation est terminée. Rétablissez l'alimentation électrique

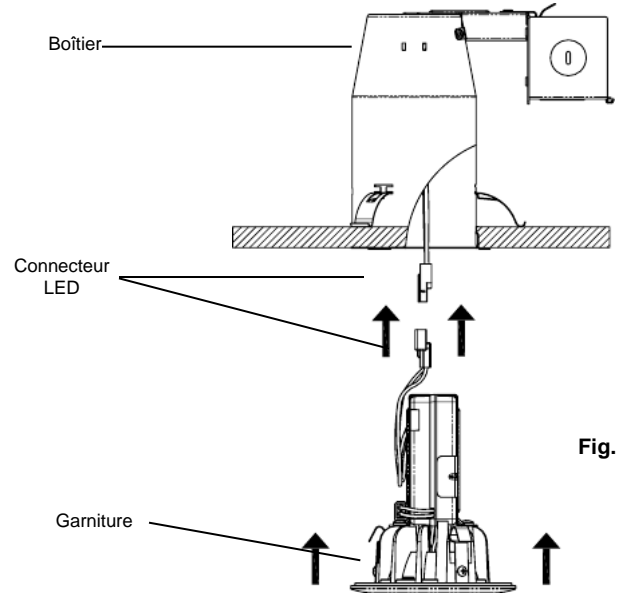


Fig. 15

DÉPANNAGE

SYMPTÔME	CAUSE POSSIBLE	SOLUTION
La lumière ne s'allume pas.	L'interrupteur ou le disjoncteur est fermé.	Ouvrez l'interrupteur ou le disjoncteur.
	Les connexions électriques sont incorrectes ou lâches.	Vérifiez les connexions électriques.
	L'ampoule est grillée. Vérifiez l'ampoule en l'insérant dans un luminaire qui fonctionne.	Remplacez l'ampoule.
	L'ampoule est mal vissée.	Serrez l'ampoule dans la douille
Le capteur thermique est d'éteindre en raison de la chaleur excessive.	Le contrôleur a mal fonctionné	Remplacez le contrôleur
	The thermal sensor is triggering due to excessive heat.	Espace de suite toute l'isolation d'au moins 7,6 cm (3 in.) du boîtier, comme indiqué dans la Fig. 1.

GRADATION DE L'INTENSITÉ LUMINEUSE

Bien que ce produit convienne à la plupart des gradateurs résidentiels courants, la gradation de l'intensité lumineuse dépend du gradateur lui-même, de ses réglages (dans le cas de gradateurs comportant une programmation des intensités lumineuses), du type de filage électrique et du nombre de modules DEL. Pour obtenir de meilleurs résultats, ouvrez le gradateur à la plus forte intensité lumineuse avant de diminuer le niveau d'éclairage.

Gradateurs recommandés (la charge minimale pour quatre modules DEL peut être nécessaire pour assurer un meilleur contrôle du niveau d'éclairage) : Leviton Decora – 6631, IPI06, Lutron Skylark – S-603PGH et Lutron Diva – DWCL-153PDH, CTCL-15PDH, et TGCL-153PH.

REPLACEMENT DE CONTRÔLEUR

1. **Débranchez l'alimentation principale du fusible ou disjoncteur.**
2. Bassiez le GARNITURE DE RÉNOVATION de la BOÎTIER. Débranchez le CONNECTEUR FEMELLE de la GARNITURE DE RÉNOVATION du CONNECTEUR MÂLE du SUPPORT ADAPTATEUR.
3. Séparer le connecteur de contrôleur LED du GARNITURE DE RÉNOVATION connecteur.
4. Retirez les vis des SUPPORTS DE FIXATION et de séparer l'ancien pilote LED de la GARNITURE DE RÉNOVATION.
5. Remplacer l'ancien pilote de LED avec le nouveau pilote LED, et le fixer en place en utilisant les SUPPORTS DE FIXATION et les vis.
6. Branchez le connecteur du contrôleur de LED avec le connecteur de la GARNITURE DE RÉNOVATION.
7. Réinstaller le GARNITURE DE RÉNOVATION dans le BOÎTIER.

MODÈLE: RHPS311AL-JW1

Température Max.
du Boîtier 90°C
Lumière Réglable
Source de Courant LPS

SORTIE CC:
Courant régulé 350mA
Intervalle de tension 12-21V
Puissance maximale 7.4 W
Tension maximale 37 V
+ ROUGE
- NOIR

Entrée AC:
120 Vca/200 mA
60 Hz
ENTRÉE AC
L-NOIR
N-BLANC

UL E185815



Made in China

CDL

GARANTIE LIMITÉE DE TROIS ANS

Commercial Electric® garantit ce produit contre tout défaut de matériaux ou de fabrication pour une période d'trois ans à partir de la date d'achat initial par le client, à l'exception de la pile. La garantie se limite à la correction desdits défauts en remplaçant le produit défectueux, accompagné de la preuve d'achat originale. Cette garantie ne couvre pas les ampoules. **Commercial Electric®** ne pourra être tenue responsable d'aucune perte ou dommage de quelque sorte que ce soit, d'aucun dommage accessoire ou indirect, fondé sur la garantie ou la négligence, découlant de la vente, de l'utilisation ou de la réparation du produit réputé défectueux. Certains États interdisent l'exclusion ou la limitation des dommages accessoires ou indirects et, par conséquent, cette garantie peut ne pas s'appliquer à vous. Cette garantie vous confère des droits spécifiques, en sus des autres droits dont vous pourriez bénéficier et qui peuvent varier d'un État à l'autre. Une utilisation incorrecte, un accident, une installation inadéquate ou un entretien déficient aura pour effet d'annuler la présente garantie.