

88 5700 80 Arm Chair

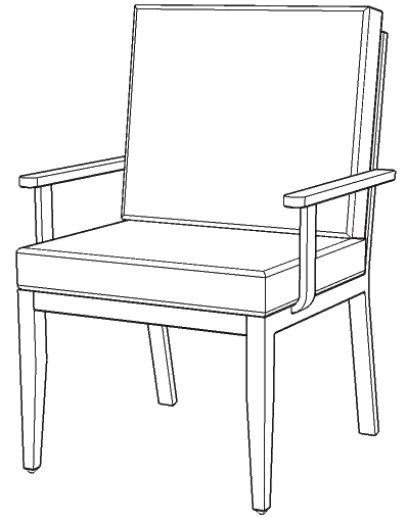
IMPORTANT NOTE

This product is made of sturdy, high quality aluminum and will provide years of enjoyment. Do not use power tools to assemble and only tighten bolts until they are snug. Over tightening can cause damage to the aluminum.

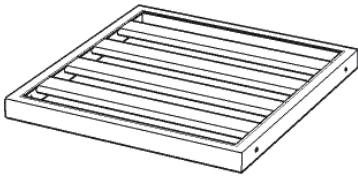
Carefully remove all the parts from the carton and put them individually on a soft cloth to prevent scratches or other damages occurring to the parts.

We have taken great care in the design of this product and request that you carefully and strictly follow our assembly instructions to ensure a completed product as it was designed.

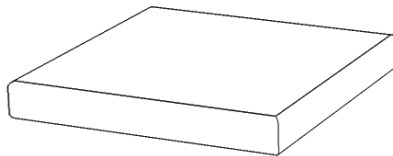
*Home
Styles*



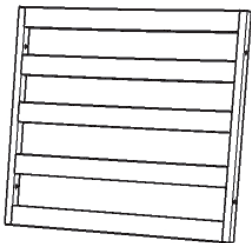
Part List



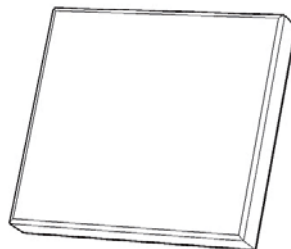
**A.
Seat**
1 pc.



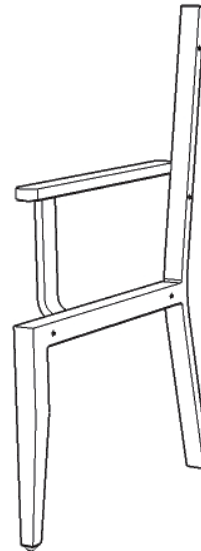
**E.
Cushion**
1 pc.



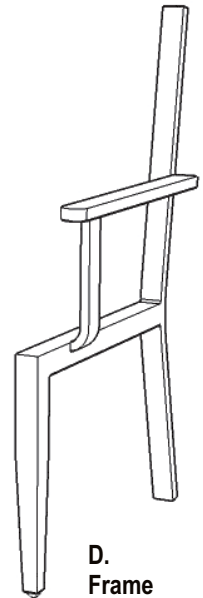
**B.
Back**
1 pc.



**F.
Cushion**
1 pc.



**C.
Frame**
1 pc.



**D.
Frame**
1 pc.

Hardware List



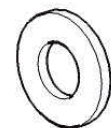
Hex Wrench
1 pc.



**M6x30
Head Cap Bolt**
8 pcs. (+1 extra)



Spring Washer
8 pcs. (+1 extra)



Flat Washer
8 pcs. (+1 extra)

IMPORTANT

- * Please keep Hex Wrench in a safe place as you may need to tighten up the Nuts in the future.
- * Use a soft cloth between these parts and the floor.
- * Do not use power tools to assemble and do not over tighten the bolts and nuts.
- * Do not tighten all the bolts and nuts until each part is properly assembled.

STEP 1

Attach Seat (A) and Back (B) to Frame (C) with Flat Washers, Spring Washers and Head Cap Bolts, tightening the bolts only half way. (See Figure 1)

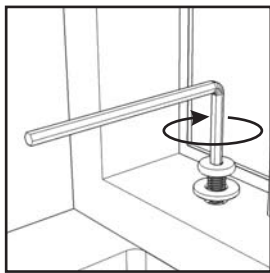
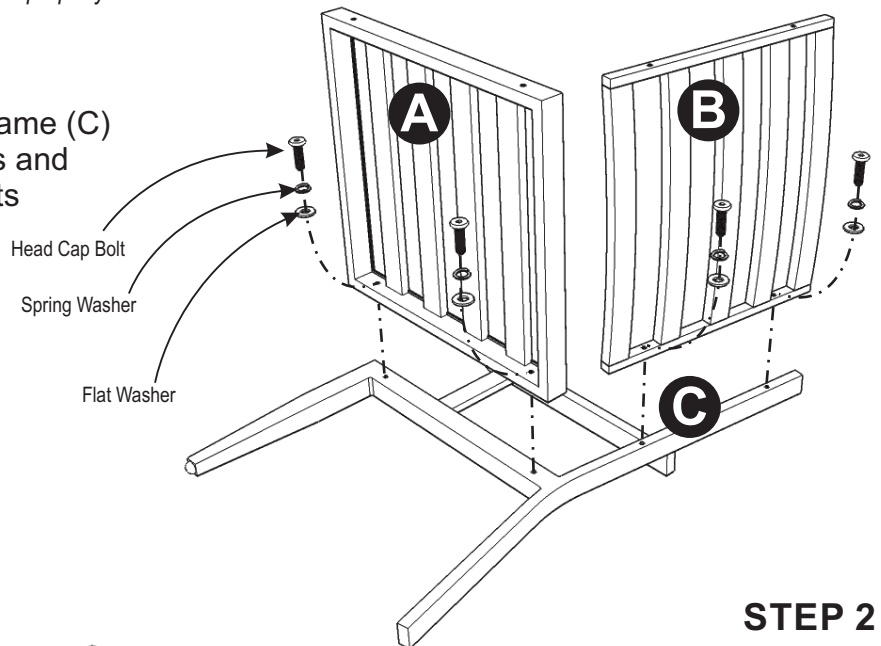
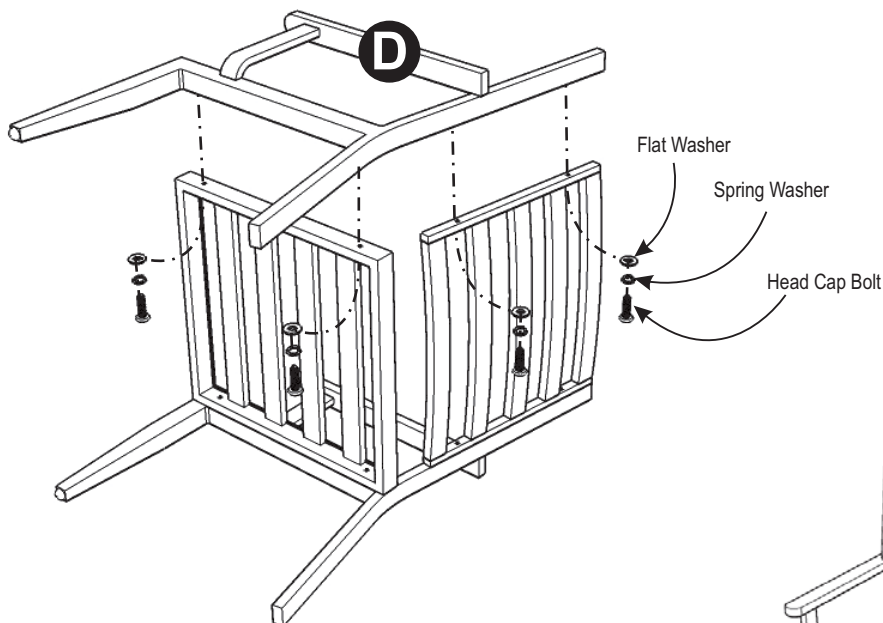


Figure 1

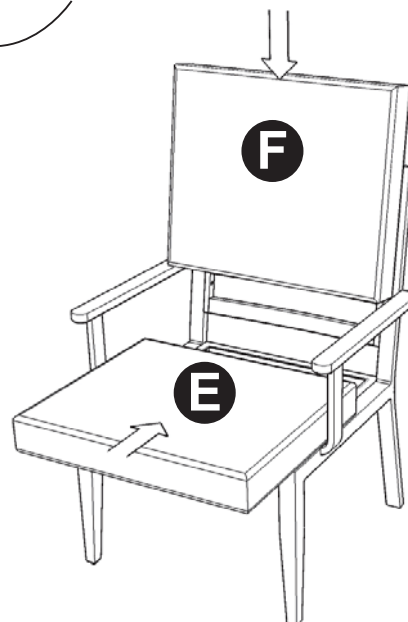


STEP 2

Attach Frame (D) to unit with Flat Washers, Spring Washers and Head Cap Bolts, tightening the bolts only half way.



Tighten all Head Cap Bolts in Steps 1 and 2.



STEP 3

Turn the unit to its' upright position.

Place Cushion (E) and then Cushion (F) onto unit.

Use the tie-downs on Cushions (E) and (F) to attach to chair.

