

RIDGID
18 Volt 1/4 Sheet Sander
Model No. R86064
Repair Sheet

RIDGID
Ponceuse à orbite aléatoire de 18 V
Numéro De Modèle R86064
Feuille De Réparation

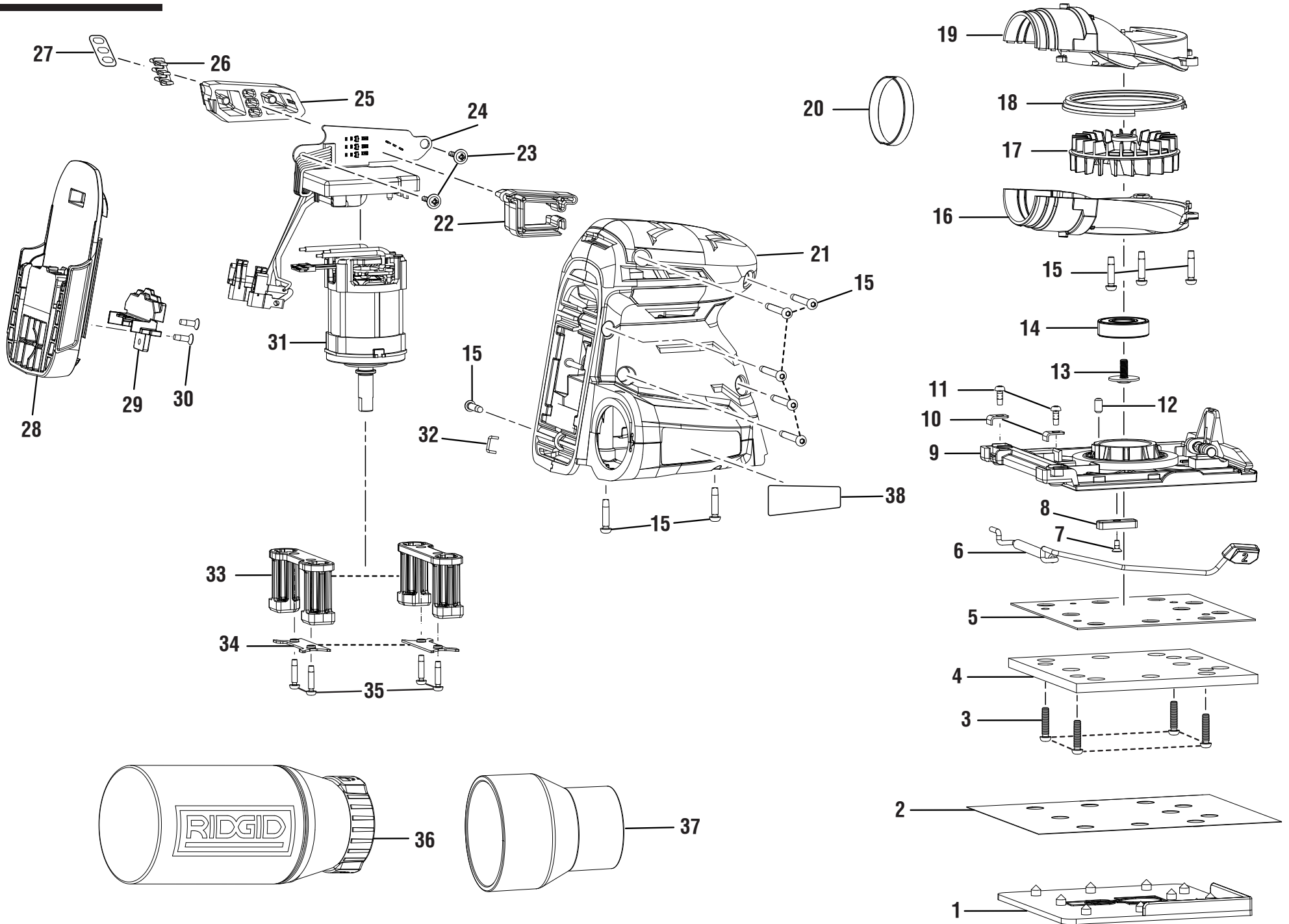
RIDGID
Lijadora orbital aleatoria de 18 V
Número De Modelo R86064
Lista De Piezas De Repuesto

ONE WORLD TECHNOLOGIES, INC.

P.O. Box 1427

Anderson, SC 29622

1-866-539-1710 ■ www.RIDGID.com



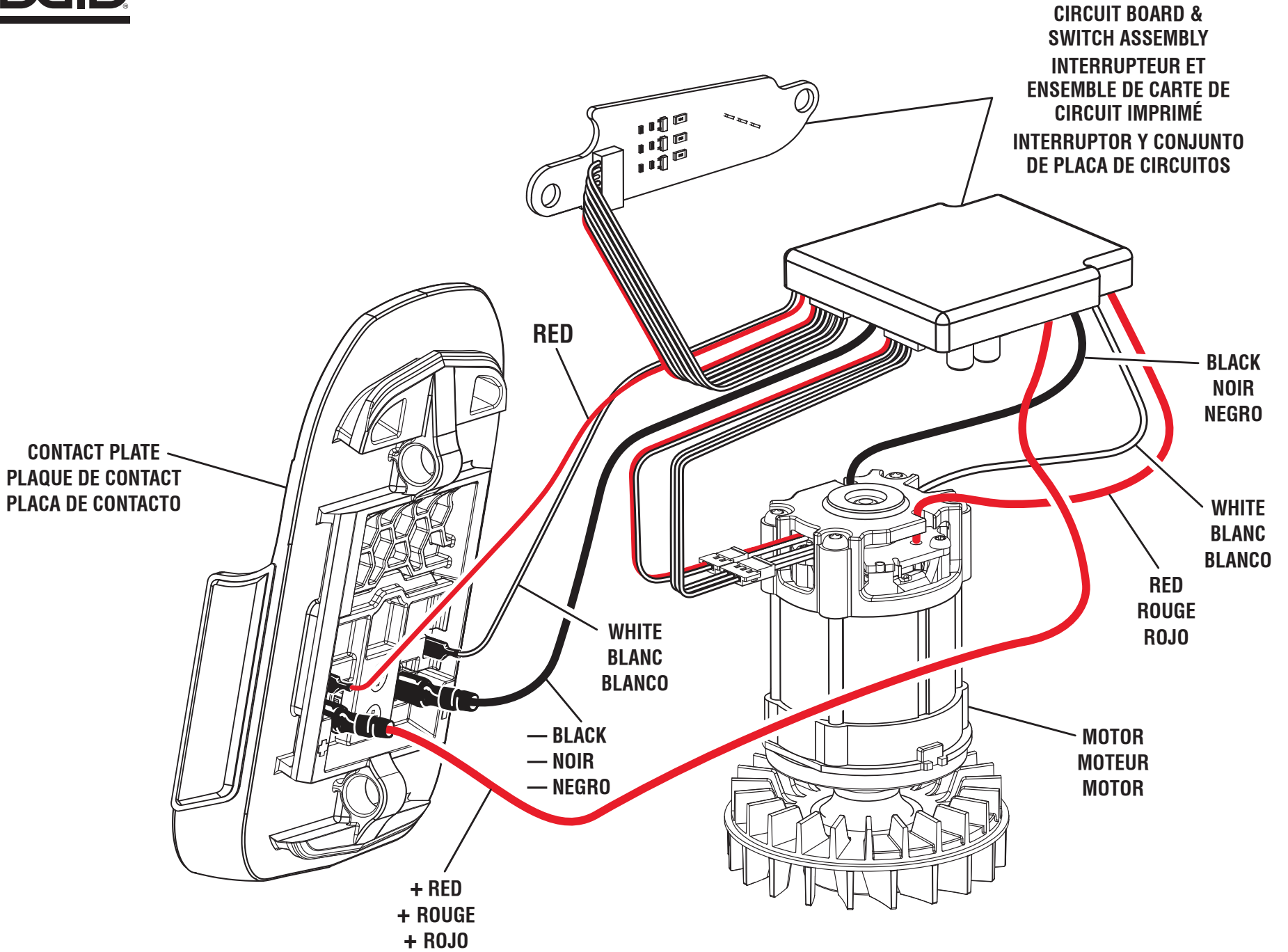


R86064

| KEY NO. | PART NUMBER | DESCRIPTION | QTY | KEY NO. | PART NUMBER | DESCRIPTION | QTY |
|---------|-------------|---|-----|-------------------|-------------------------------|--|-----|
| 1 | 520512001 | Paper Punch..... | 1 | 22 | 564986001 | Rubber Cushion | 1 |
| 2 | 900591012 | Sandpaper (80 Grit)..... | 2 | 23 | 660290004 | Screw (M3 x 5 mm, Pan Washer Hd.) | 2 |
| 3 | 661043002 | Screw (M3 x 15 mm, T10 Torx Pan Hd.) | 4 | 24 | 202943002 | Circuit Board and Switch Assembly..... | 1 |
| 4 | 564898001 | Cushion | 1 | 25 | 536437001 | Variable Speed Toggle Button..... | 1 |
| 5 | 635795001 | Plate | 1 | 26 | 536438001 | LED Lens | 1 |
| 6 | 314032001 | Spring Clamp Assembly..... | 1 | 27 | 941008074 | LED Label..... | 1 |
| 7 | 660221008 | Screw (M2.6 x 6 mm, Pan Hd.) | 1 | 28 | 360759009 | Foot w/Laser | 1 |
| 8 | 697447001 | Balance Block | 1 | 29 | 532760001 | Foot Cover | 1 |
| 9 | 200943002 | Platen Assembly..... | 1 | 30 | 660204008 | Screw (M3 x 10 mm, Flat Hd.)..... | 2 |
| 10 | 630874002 | Retaining Plate | 2 | 31 | 206842001 | Motor Assembly | 1 |
| 11 | 660836001 | Screw (M3 x 8 mm, T10 Torx Pan Hd.) | 2 | 32 | 697230001 | Retaining Clip..... | 1 |
| 12 | 550339001 | Rubber Plug | 1 | 33 | 314034001 | Post Cushion Assembly | 2 |
| 13 | 660369006 | Screw w/Washer (8-32 x 10 mm, T20 Torx Pan Hd.) | 1 | 34 | 635796001 | Retaining Plate | 2 |
| 14 | 681053001 | Ball Bearing (6001LU CW)..... | 1 | 35 | 660570004 | Screw (M3 x 14 mm, T10 Torx Pan Hd.) | 4 |
| 15 | 660031029 | Screw (M3.5 x 16 mm, T10 Torx Pan Hd.) | 11 | 36 | 314295001 | Dust Bag Assembly..... | 1 |
| 16 | 536432001 | Bottom Halve Of Volute..... | 1 | 37 | 537502001 | 2-1/2 in. Vacuum Hose Adapter..... | 1 |
| 17 | 643532001 | Balance Fan | 1 | 38 | 941122094 | Data Label | 1 |
| 18 | 536431001 | Fan Ring | 1 | Not Shown: | | | |
| 19 | 536430001 | Top Halve Of Volute..... | 1 | 995000674 | Operator's Manual (961152969) | | |
| 20 | 697584001 | Volute Ring | 1 | 2-22-19 | | | |
| 21 | 200943003 | Housing Assembly | 1 | (Rev:01) | | | |

| PIÈCE RÉF. | DESCRIPTION | QTÉ | PIÈCE RÉF. | DESCRIPTION | QTÉ | | |
|------------|-------------|---|------------|-------------|-------------------|---|---|
| 1 | 520512001 | Perforateur | 1 | 21 | 200943003 | Ensemble logement..... | 1 |
| 2 | 900591012 | Papier abrasif (80 grains)..... | 2 | 22 | 564986001 | Coussinet en caoutchouc | 1 |
| 3 | 661043002 | Vis (M3 x 15 mm, à tête cyl. Torx T10) | 4 | 23 | 660290004 | Vis (M3 x 5 mm, rondelle plate)..... | 2 |
| 4 | 564898001 | Coussinet | 1 | 24 | 202943002 | Interrupteur et ensemble de carte de circuit imprimé..... | 1 |
| 5 | 635795001 | Plaque | 1 | 25 | 536437001 | Bouton à bascule de la vitesse variable..... | 1 |
| 6 | 314032001 | Assemblage à ressort de serrage | 1 | 26 | 536438001 | Lentille DEL | 1 |
| 7 | 660221008 | Vis (M2.6 x 6 mm, à tête cyl.)..... | 1 | 27 | 941008074 | Autocollant DEL | 1 |
| 8 | 697447001 | Plaque d'équilibrage | 1 | 28 | 360759009 | Pied avec DEL..... | 1 |
| 9 | 200943002 | Ensemble de platine..... | 1 | 29 | 532760001 | Couvercle de pied | 1 |
| 10 | 630874002 | Plaque de retenue | 2 | 30 | 660204008 | Vis (M3 x 10 mm, Flat Hd.)..... | 2 |
| 11 | 660836001 | Vis (M3 x 8 mm, à tête cyl. Torx T10) | 2 | 31 | 206842001 | Assemblage du moteur | 1 |
| 12 | 550339001 | Obturateur en caoutchouc | 1 | 32 | 697230001 | Retenue de champ..... | 1 |
| 13 | 660369006 | Vis avec rondelle (8-32 x 10 mm, à tête cyl. Torx T20)..... | 1 | 33 | 314034001 | Coussin | 2 |
| 14 | 681053001 | Roulement à bille (6001LU CW) | 1 | 34 | 635796001 | Plaque de retenue | 2 |
| 15 | 660031029 | Vis (M3.5 x 16 mm, à tête cyl. Torx T10) | 11 | 35 | 660570004 | Vis (M3 x 14 mm, à tête cyl. Torx T10) | 4 |
| 16 | 536432001 | Moitié supérieure de la volute | 1 | 36 | 314295001 | Ensemble de sac à sciure | 1 |
| 17 | 643532001 | Ventilateur du équilibre..... | 1 | 37 | 537502001 | Adaptateur de tuyau d'aspirateur 63,5 mm (2-1/2 po)..... | 1 |
| 18 | 536431001 | Anneau ventilateur..... | 1 | 38 | 941122094 | Autocollant label..... | 1 |
| 19 | 536430001 | Moitié supérieure de la volute | 1 | | Not Shown: | | |
| 20 | 697584001 | Anneau volute | 1 | | 995000674 | Manuel d'utilisation (961152969) | |

| REF. | N/P. | DESCRIPCIÓN | CANT | REF. | N/P. | DESCRIPCIÓN | CANT |
|------|-----------|---|------|------|-------------------|---|------|
| 1 | 520512001 | Plantilla perforadora de papel | 1 | 21 | 200943003 | Conjunto de la armazón | 1 |
| 2 | 900591012 | Papel de lija (80 grano)..... | 1 | 22 | 564986001 | Cojin de goma..... | 1 |
| 3 | 661043002 | Tornillo (M3 x 15 mm, cabeza tronc. Torx T10) | 4 | 23 | 660290004 | Tornillo (M3 x 5 mm, arandela plana) | 2 |
| 4 | 564898001 | Cojín | 1 | 24 | 202943002 | Interruptor y conjunto de placa de circuitos | 1 |
| 5 | 635795001 | Placa | 1 | 25 | 536437001 | Botón para alternar la velocidad | 1 |
| 6 | 314032001 | Conjunto de la abrazadera de la resorte | 1 | 26 | 536438001 | Lentes LED | 1 |
| 7 | 660221008 | Tornillo (M2.6 x 6 mm, cabeza tronc.) | 1 | 27 | 941008074 | Etiqueta LED | 1 |
| 8 | 697447001 | Placa equilibradora | 1 | 28 | 360759009 | Pie con LED..... | 1 |
| 9 | 200943002 | Conjunto del platina | 1 | 29 | 532760001 | Cubierta del pie..... | 1 |
| 10 | 630874002 | Placa de retencion | 2 | 30 | 660204008 | Tornillo (M3 x 10 mm, Flat Hd.) | 2 |
| 11 | 660836001 | Tornillo (M3 x 8 mm, cabeza tronc. Torx T10) | 2 | 31 | 206842001 | Conjunto del motor | 1 |
| 12 | 550339001 | Tapón de goma | 1 | 32 | 697230001 | Retención de campo | 1 |
| 13 | 660369006 | Tornillo con arandela (8-32 x 10 mm, cabeza tronc. Torx T20) | 1 | 33 | 314034001 | Cojin | 2 |
| 14 | 681053001 | Cojinete de bolas (6001LU CW)..... | 1 | 34 | 635796001 | Placa de montage | 2 |
| 15 | 660031029 | Tornillo (M3.5 x 16 mm, cabeza tronc. Torx T10) | 11 | 35 | 660570004 | Tornillo (M3 x 14 mm, cabeza tronc. Torx T10) | 4 |
| 16 | 536432001 | Mitad inferior de la voluta..... | 1 | 36 | 314295001 | Conjunto del saco captapolvo | 1 |
| 17 | 643532001 | Ventilador de equilibrio..... | 1 | 37 | 537502001 | Adaptador para manguera de aspiradora de 63,5 mm(2-1/2 pulg.)..... | 1 |
| 18 | 536431001 | Anillo ventilador..... | 1 | 38 | 941122094 | Etiqueta de datos | 1 |
| 19 | 536430001 | Mitad superior de la voluta..... | 1 | | Not Shown: | | |
| 20 | 697584001 | Volute Ring | 1 | | 995000674 | Manual del operador (961152969) | |



WIRING DIAGRAM / SCHÉMA DE CÂBLAGE / DIAGRAMA DE CABLEADO