



Item # XXX XXX  
Model # 720.127.000

# USE AND CARE GUIDE

---

## KAPOLEI DINNING TABLE



Questions, problems, missing parts? Before returning to the store,  
call Hampton Bay Customer Service  
8 a.m. - 7 p.m., EST, Monday - Friday,  
9 a.m. - 6 p.m., EST, Saturday

**1-855-HD-HAMPTON**

**HAMPTONBAY.COM**

---

### THANK YOU

*We appreciate the trust and confidence you have placed in Hampton Bay through the purchase of this table. We strive to continually create quality products designed to enhance your home. Visit us online to see our full line of products available for your home improvement needs. Thank you for choosing Hampton Bay!*

# Table of Contents

Table of Contents .....	2	Hardware Included.....	3
Safety Information .....	2	Table Package Contents.....	4
Warranty .....	2	Assembly.....	5
What is covered.....	2	Care and Cleaning .....	6
What is not covered.....	2		
Pre-Assembly .....	3		
Planning Assembly.....	3		

# Safety Information



**CAUTION:** Read all of the instructions in this manual before you begin assembly. Failure to do so may result in faulty assembly and potential injury!

# Warranty

## 2 YEAR WARRANTY

### WHAT IS COVERED

We warrant the product to be free of manufacturing defects to the original purchaser for two years.

### WHAT IS NOT COVERED

It remains the customer's responsibility for freight and packaging charges to and from our service center. This warranty does not cover commercial use, hardware, acts of nature, freezing, or abusive use. In addition, purchased parts are not covered under this warranty.

We reserve the right to make substitutions with similar merchandise, if the model in question is no longer in production.

Contact Customer Care at 1-855-HD-HAMPTON or visit [www.hamptonbay.com](http://www.hamptonbay.com).

# Pre-Assembly

## PLANNING ASSEMBLY

Please read this entire instruction manual prior to assembly.

Identify all parts packed in the carton against the parts list. Remove all protective materials and place the parts on a non-abrasive surface to avoid scratching.

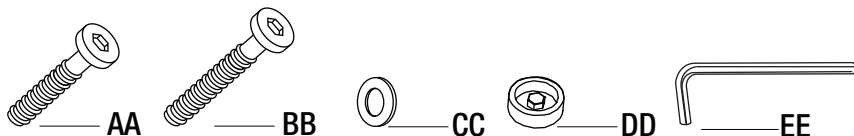


**NOTE:** More than one person may be required to assemble this product.

## HARDWARE INCLUDED



**NOTE:** Hardware not shown to actual size.



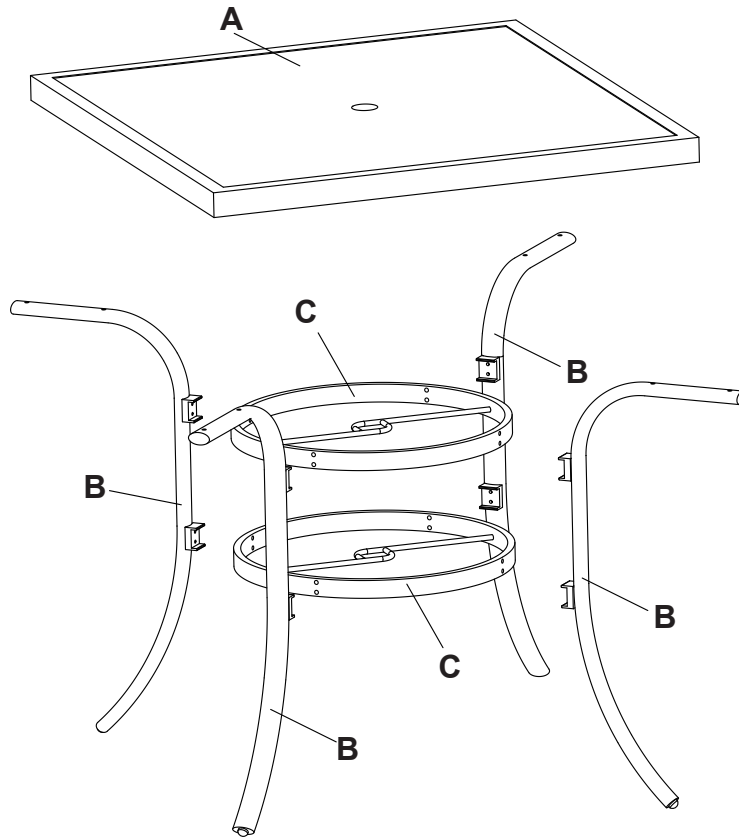
Part	Description	Quantity
AA	M6x35 Bolt	8
BB	M6x25 Bolt	16
CC	Spring washer	24
DD	Bolt cap	24
EE	Hex Wrench	1

# Pre-Assembly

## TABLE PACKAGE CONTENTS



**IMPORTANT:** Do not fully tighten bolts/screws until all pieces are loosely assembled.



Part	Description	Quantity
A	Table top	1
B	Table legs	4
C	Umbrella cap	2

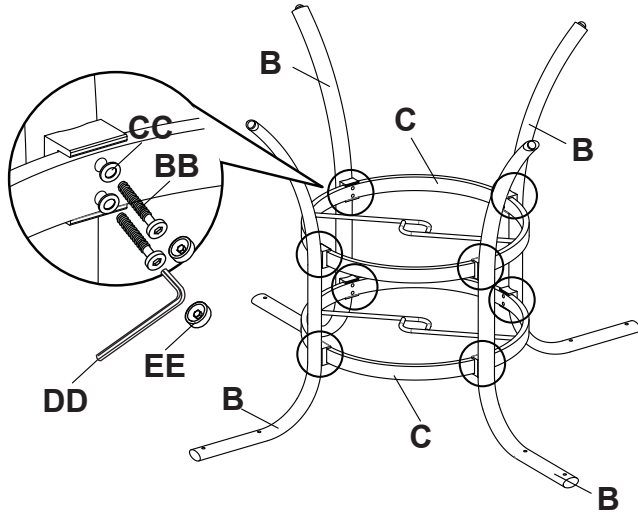
# Assembly

## 1 Attaching the left arm to the seat

- Attach the left arm (B) to the chair seat (D) using M6 bolts (BB) and washers (CC).



**NOTE:** Please ensure all the bolts are assembled correctly and use the hex wrench (FF) to tighten. Do not fully tighten bolts/screws until all pieces are loosely assembled. Adding corresponding plastic caps after final assembly finished.

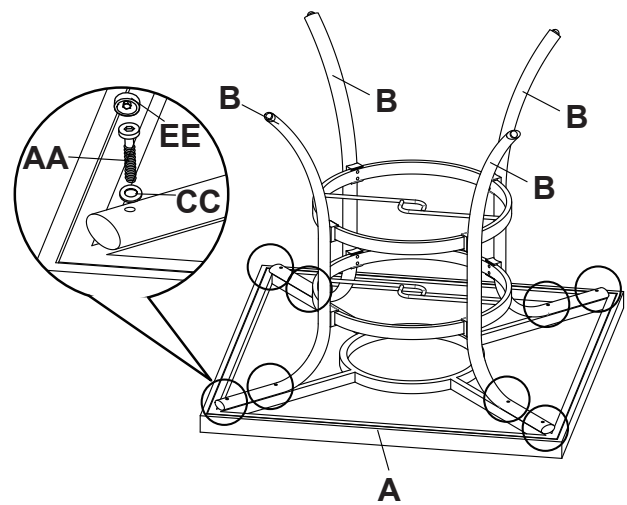


## 2 Attaching the right arm to the seat

- Attach the right arm (C) to the chair seat (D) using M6 bolts (BB) and washers (CC).



**NOTE:** Please ensure all the bolts are assembled correctly and use the hex wrench (FF) to tighten. Do not fully tighten bolts/screws until all pieces are loosely assembled. Adding corresponding plastic caps after final assembly finished.



## 3 Attaching the back to the arms

- Attach the back (A) to the arms (B and C) using M6 bolts (AA). Please notice top and down direction of the back.



**NOTE:** Please ensure all the bolts are assembled correctly and use the hex wrench (FF) to tighten. Do not fully tighten bolts/screws until all pieces are loosely assembled. Adding corresponding plastic caps after final assembly finished.



## Care and Cleaning

---

- Do not allow water to build up in the frames. This will cause corrosion and possible freezing damage in cold climates.
- Use a mild soap and water for normal cleaning. Do not use janitorial or alcohol based cleaners. Some cleaners may be marked as natural, but some ingredients may cause discoloration or have an adverse reaction to your finish.
- Rinse with clean water and dry with a soft, absorbent cloth towel.
- Treat the frames with a liquid wax for maximum protection against UV rays and/or salty, damp air.



Questions, problems, missing parts? Before returning to the store,  
call Hampton Bay Customer Service  
8 a.m.-7 p.m., EST, Monday-Friday,  
9 a.m.-6 p.m., EST, Saturday

**1-855-HD-HAMPTON**

**HAMPTONBAY.COM**

Retain this manual for future use.