

ring



Indoor Cam

# 1. Set up your Indoor Cam.

## Download the Ring app.

The Ring app walks you through setting up and managing your Indoor Cam.

Search for “Ring” in one of these app stores, or visit: [ring.com/app](https://ring.com/app).



## Grab your Wi-Fi password.

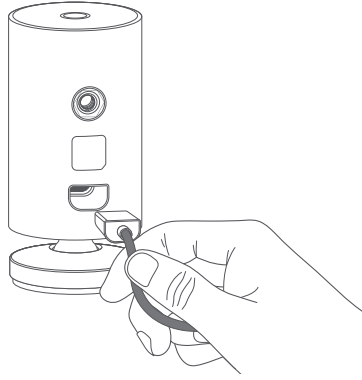
You'll need it to set up your Indoor Cam.

Write it down below so it's handy when you need it:

## Power it up!

First, plug the included power cable into the back of your Indoor Cam.

Then plug the power supply into an outlet.



## Set up your Indoor Cam in the Ring app.

In the Ring app, select **Set Up a Device**.

When prompted, select **Security Cams** and follow the in-app instructions.

## Try it out!

After setup, tap the Live View button in the Ring app to see live video from your Indoor Cam.

## Blue light flashing?

If the light on the front of your Indoor Cam is flashing after setup, it's updating its software.

Do not unplug your Indoor Cam while the light is flashing!

# 2. Install your Indoor Cam.

## Choose a location.

Indoor Cam is happy just about anywhere inside. It comes ready to sit on a flat surface like a table or shelf, but can also be mounted to a wall.

Choose a spot where it can provide the view you want, within reach of a power outlet.



Table or shelf



Mounted on a wall

## How to use Indoor Cam on a table or shelf:



### It's all ready, already!

Place it at your chosen location, then plug it in. Your Indoor Cam is now ready to protect you.

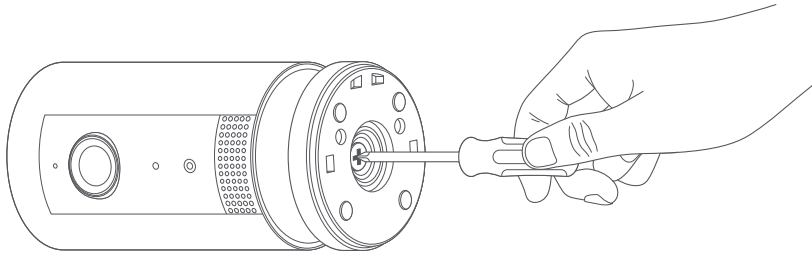
Once you're done, check out the live video in the Ring app to make sure you have the view you want.

## How to install Indoor Cam on a wall:



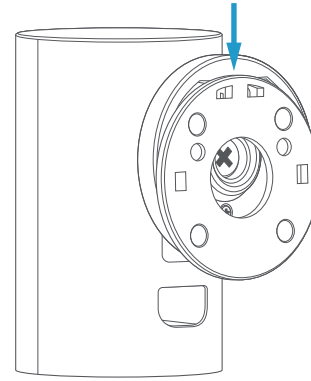
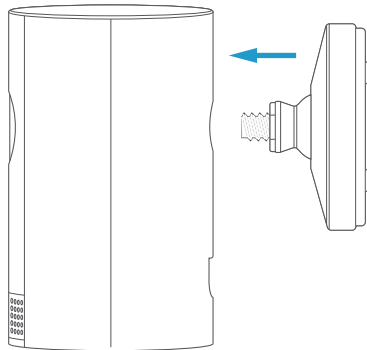
### Remove the base.

Unscrew it using a standard Phillips-head screwdriver (not included).



### Re-attach the base.

Screw it into the back of your Indoor Cam with the “UP” arrow on the bracket pointing upwards.

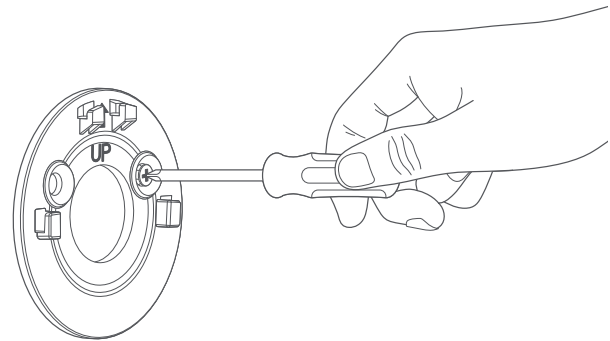


### Remove the mounting bracket.

Slide it down. It'll come right off the base.

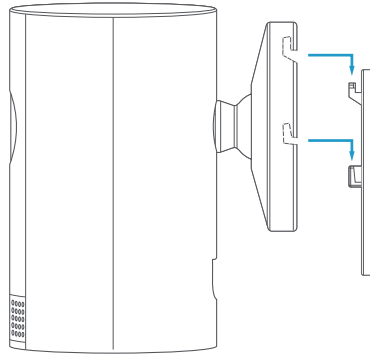
### Drive the screws.

Hold the plate against your wall, making sure the “UP” arrow is pointing up, and mount it with the included screws.



## Mount your Cam.

Guide the grooves in the base onto the hooks on the bracket. Slide Indoor Cam down to secure it to the wall.



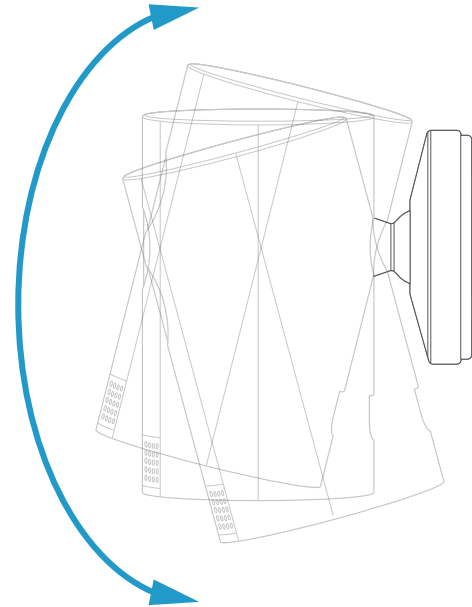
## Plug it in.

Once secure, plug the power cord into your Indoor Cam, then plug the adapter into a power outlet.

## Adjust the view.

Now check out the live video in the Ring app to make sure you have the view you want.

Indoor Cam rotates on its base, so adjust the view as needed.



For additional help, visit: [ring.com/help](https://ring.com/help)

Or give us a call...

[US 1 800 656 1918](tel:18006561918)

---

[Canada 1 855 300 7289](tel:18553007289)

---

[Worldwide +1 310 929 7085](tel:+13109297085)

---

For a list of all our customer support numbers,  
visit: [ring.com/callus](https://ring.com/callus)

To review your warranty coverage, please visit [www.ring.com/warranty](https://www.ring.com/warranty).

© 2019 Ring LLC or its affiliates.

Ring and all related logos are trademarks of Ring LLC or its affiliates.