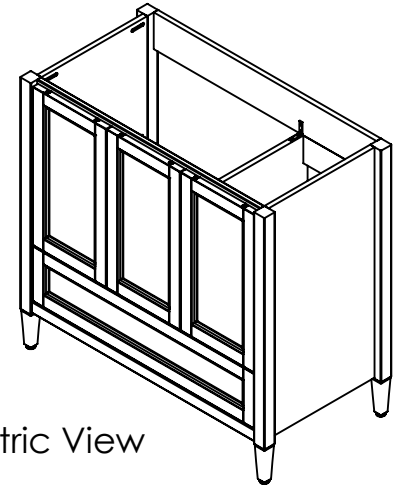
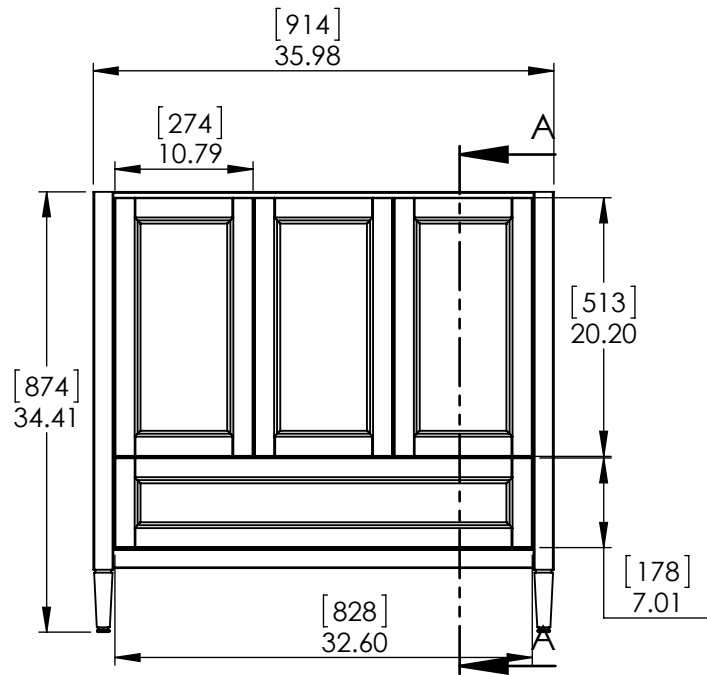


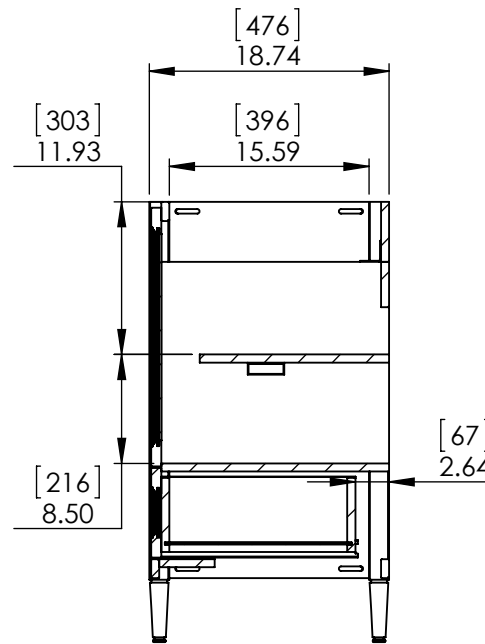
Top View



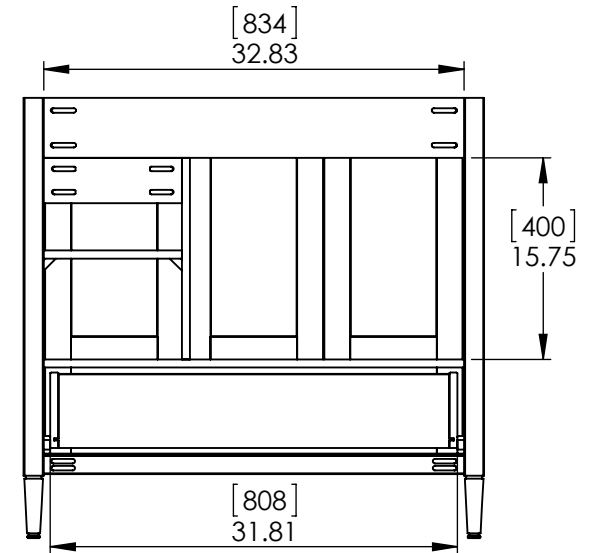
Isometric View



Front View



SECTION A-A  
SCALE 1 : 15  
Side View



Back View

ITEM:	REV
<b>CB36P3-TB</b>	<b>A</b>

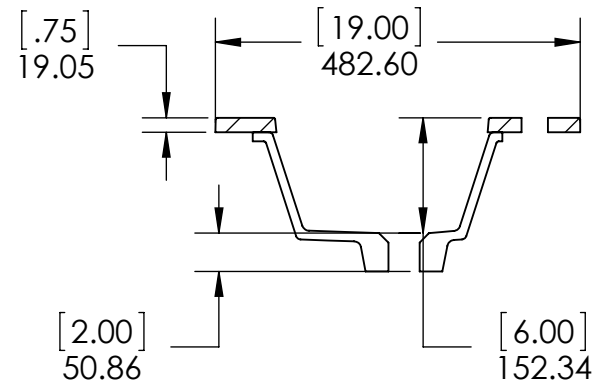
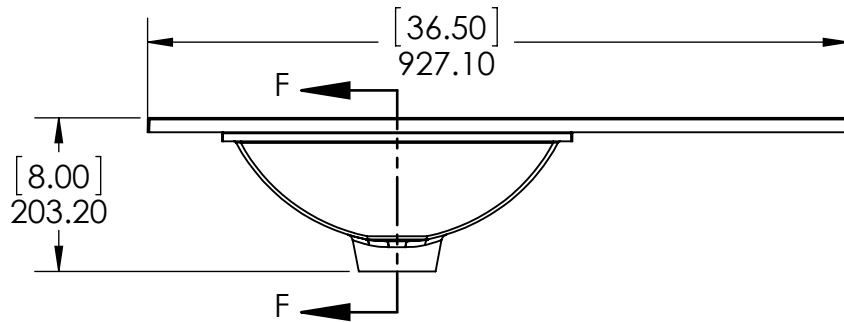
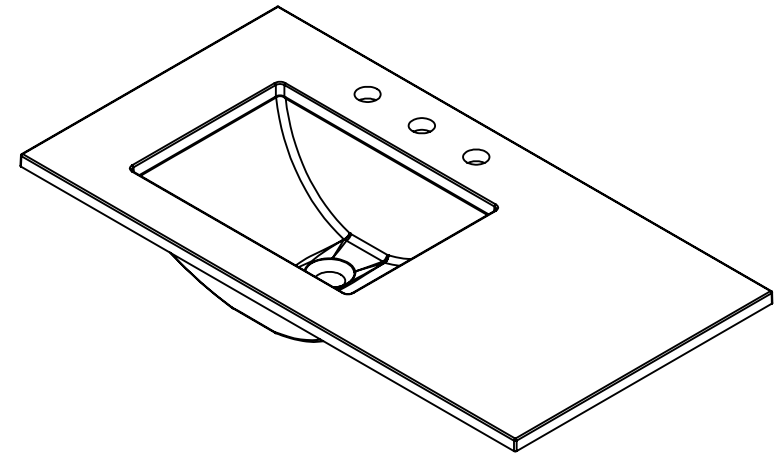
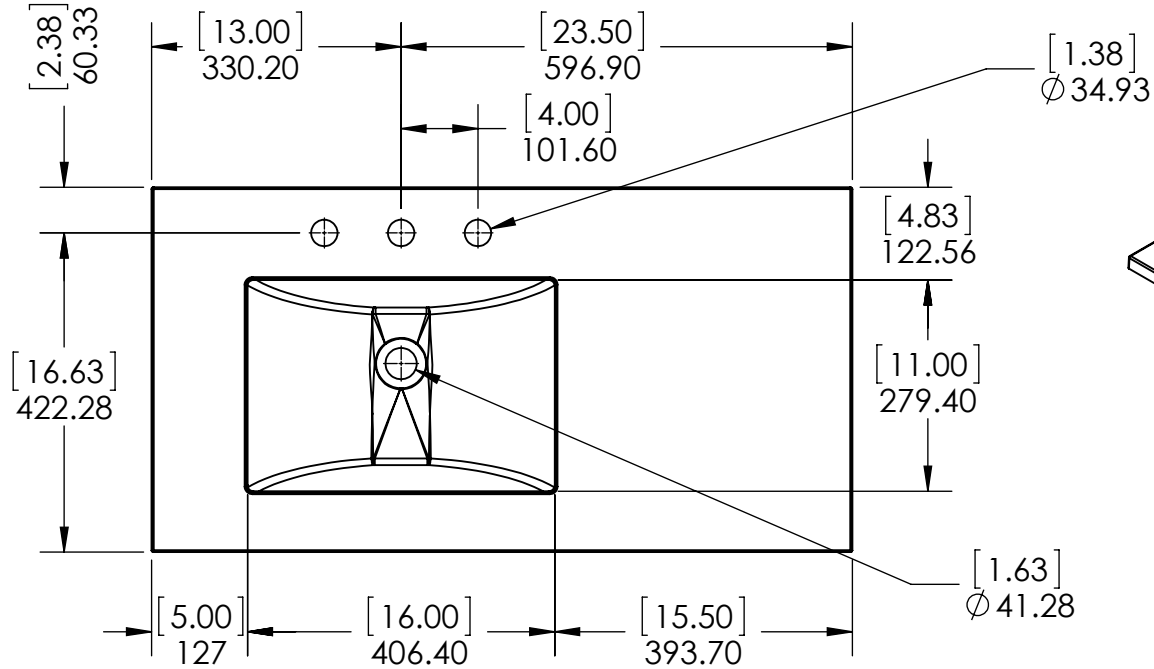
NAME: **Claxby 36**



<b>Propiedad y Confidencialidad</b> La información contenida en este dibujo es puramente propiedad de Woodcrafters Home Products LLC. Queda prohibida cualquier reproducción parcial o total sin el permiso por escrito de Woodcrafters Home Product LLC.	DRAWING	ARB	12/13/18	MATERIAL: <b>German beech 4/4 Particle Board in Laminated Paper Tan Brown</b>
	REVIEW	ING	12/13/18	
	APPROVED	R&D	12/13/18	
	SCALE: 1:20	MODEL:	<b>Claxby 36</b>	

ID	Description	Technology	Status
595617	Vtop Rect 36.5x19 Offset Left SE Gray Stone 8in	Stone Effect	Approved for production

Rev #	Approved by	Change
0	R. Rubio	Released



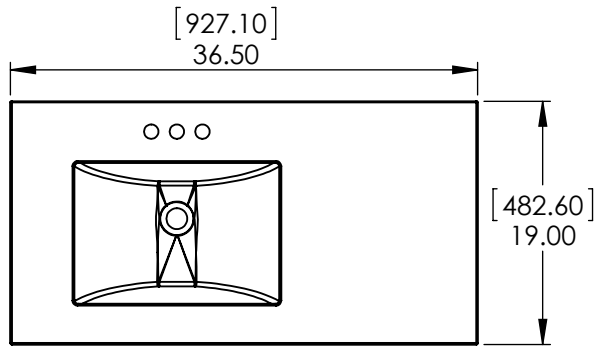
**PROPRIETARY AND CONFIDENTIAL**  
 THE INFORMATION CONTAINED IN THIS DRAWING IS THE  
 SOLE PROPERTY OF WOODCRAFTERS. ANY  
 REPRODUCTION IN PART OR AS A WHOLE WITHOUT THE  
 WRITTEN PERMISSION OF WOODCRAFTERS IS PROHIBITED.

UNLESS OTHERWISE SPECIFIED  
 DIMENSIONS ARE IN MM.  
 AND (INCHES)  
 TOLERANCES ARE  
 +0.125 [3.175] -0.125 [-3.175]  
 SCALE:1:10

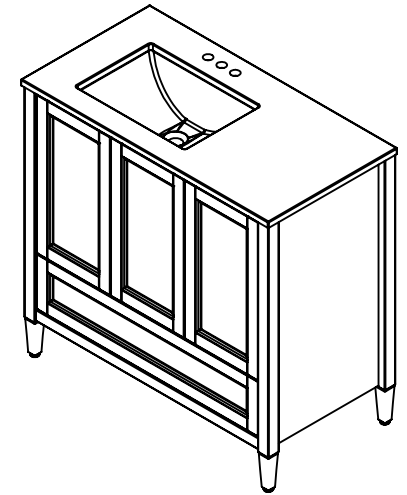
	NAME	DATE
DRAWN	R. Rubio	12/17/18
CHECKED	R. Rubio	12/17/18
ENG APPR.	R. Rubio	12/17/18
MFG APPR.	C. Leal	12/17/18

**Wood Crafters**

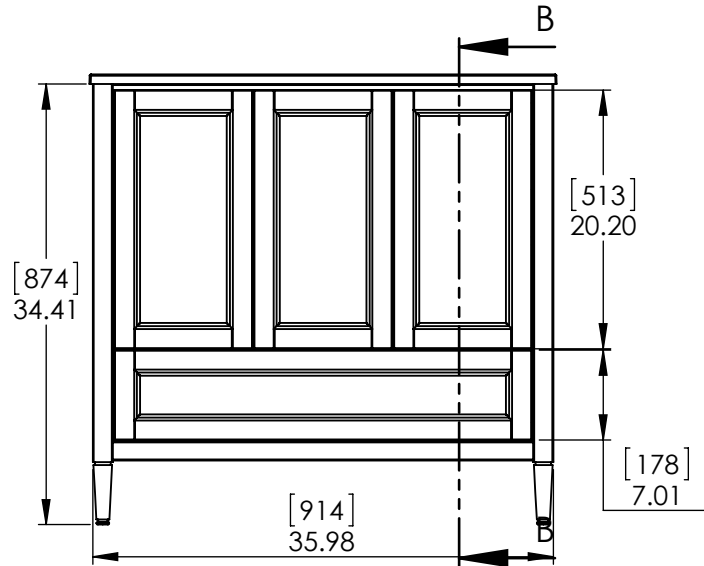
SIZE DWG. NO. SHEET 1 OF 1  
 A Vtop Rect 36.5x19 Offset Left SE 8in REV: 0



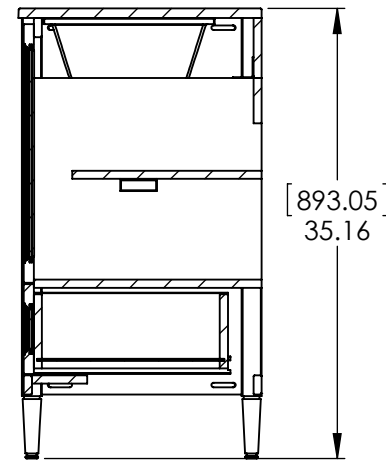
Top View



Isometric View



Front View



SECTION B-B  
SCALE 1 : 15

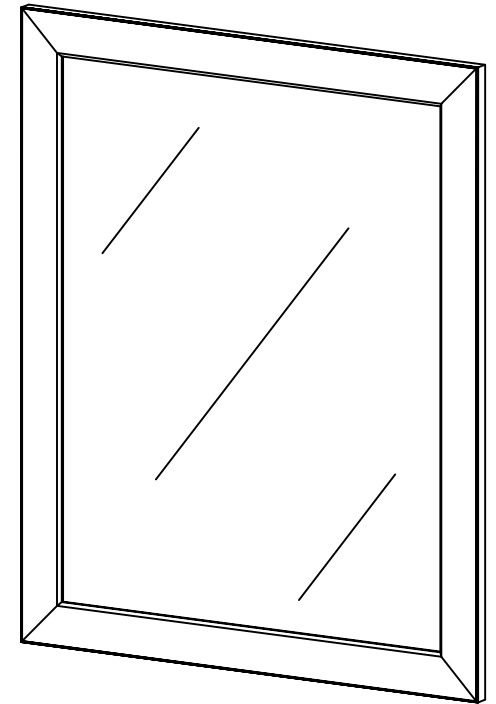
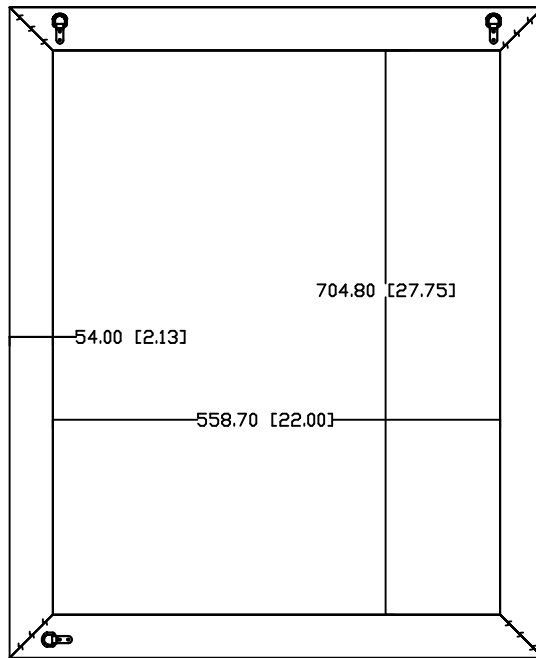
Side View

ITEM:	<b>CB36P3-TB</b>	REV	<b>A</b>
NAME:	<b>Claxby 36</b>		

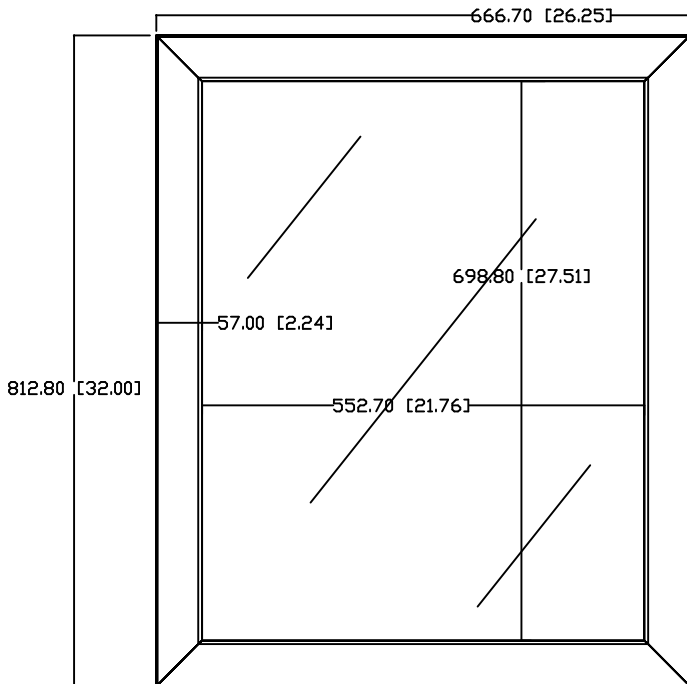


<b>Propiedad y Confidencialidad</b> La información contenida en este dibujo es puramente propiedad de <i>Woodcrafters Home Products LLC</i> . Queda prohibida cualquier reproducción parcial o total sin el permiso por escrito de <i>Woodcrafters Home Product LLC</i> .	DRAWING	ARB	12/13/18	MATERIAL: <b>German beech 4/4 Particle Board in Laminated Paper Tan Brown</b>  MODEL: <b>Claxby 36</b>
	REVIEW	ING	12/13/18	
	APPROVED	R&D	12/13/18	
	SCALE: 1:20			

Back View

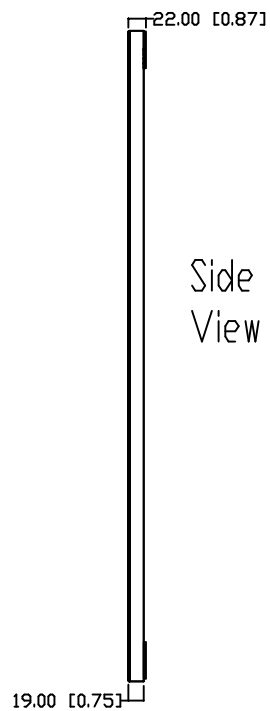


Isometric View



Front View

Side View



UNLESS OTHERWISE SPECIFIED DIMENSIONS ARE IN mm AND [inches] 1mm [.04]	Drawn:	C.R.H	Name:	Date:	TITLE: 297078 Molding Wall Mirror Rev 0
	Checked:	J.S.			
	Approved:	A.H.			
				Form: VH-FEN004	PAGE 1 OF 1