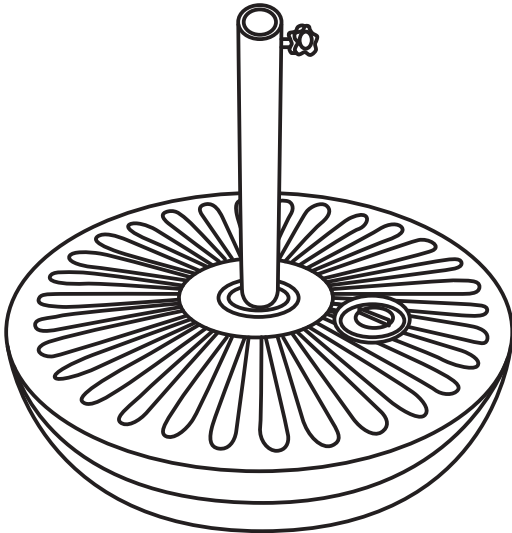
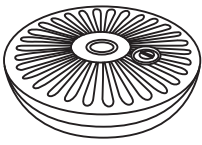

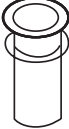

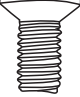




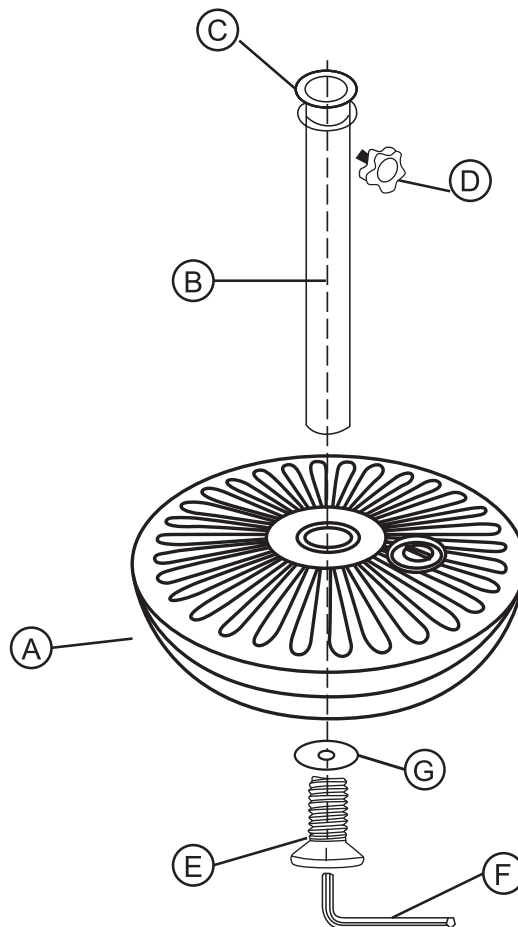
300009 48.5LBS WATER INJECTION UMBRELLA BASE



- Please read instructions thoroughly before assembling. Familiarize yourself with the parts and the accompanying illustrations to ensure safe and proper assembly.
- Don't fasten the screws and bolts tightly until all the screws and bolts are assembled in place.
- Repeated assembly can weaken the locking ability of the nuts.
- Periodically check all bolted connections to make sure they are tight and secure.

Part List

 x1	 x1	 x1	 x1	 x1	 x1	 x1
---	---	---	---	---	---	---



Thanks for choosing Able Inc products. We'd love to hear your thoughts, and so would other customers. If you are satisfied with our products and service, please let us know. If you have questions or feedback, we're here to help! cs@ableinc.com.
(We will reply you within 24 business hours)

