

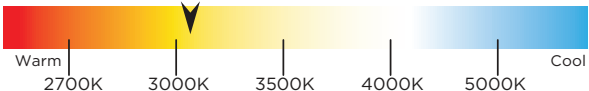
DUSK-TO-DAWN

SPEC SHEET



Commercial Electric's highly-efficient, maintenance-free LED Dusk to Dawn Slim Wall Pack Light provides an evenly distributed, inviting, and secure 3000K warm white light free of unsightly glare or 'hot-spots'. This Dual-Control Enabled light allows the user to choose between two operating modes: a Dusk to Dawn (automatic nighttime 'ON' and daytime 'OFF') mode or a manual switch-controlled operation.

LED TECHNOLOGY		LIGHTING PERFORMANCE	
LUMENS (LIGHT OUTPUT)	1000		
WATTAGE	12W		
MOUNTING	Wall Mount		
FREQUENCY	50-60 HZ		
THD	<20%		
PF	>0.9		
AMBIENT OPERATING RANGE	-20-40°C		
INPUT VOLTAGE	120V		
EFFICACY	110 LM/W		
LED CHIP	EVERLIGHT 2835 LED		
PHOTOCELL	Yes		
DRIVER	YG* driver technology		
DRIVER EFFICIENCY	>85%		
STANDARD LIFETIME	>50,000 hours		
STANDARD WARRANTY	5 Years		
WATER PROOFING GRADE	IP65		
WEIGHT	1.21 lbs		
CCT	3000 Kelvin		
DIMENSIONS	6.23" x 7.73" x 2.50"		

LIGHT APPEARANCE (CCT)	
3000K	
	

*All results according to IESNA - LM79-2008
*Light Output reported as total integrated lumens (light source & fixture)

PRODUCT PERFORMANCE AT A GLANCE

SYSTEM WATTAGE	LED WATTAGE	LUMENS	LP/W	CRI	REPLACES (MH)
12W	11W	1000 lm	83 lm/w	≥80	70W

HOUSING

Impact resistant UV-stabilized polycarbonate housing with UV-stabilized vandal-resistant polycarbonate frosted lens.

IP RATING & LISTINGS

LED light engine is weather proof rated IP65.

cULus, FCC Certified

OPTICS

Diffused wide angle with nearly zero glare.

MOUNTING

Unit has a detachable mounting plate with hanging wire that allows for hands-free installation when making electrical connections.

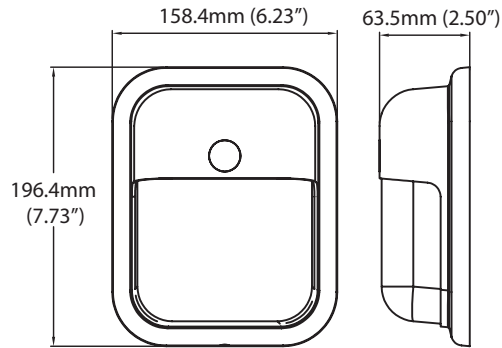
FINISH

Commercial grade, weather-resistant and UV-stabilized polycarbonate housing. Color is bronze.

APPLICATION

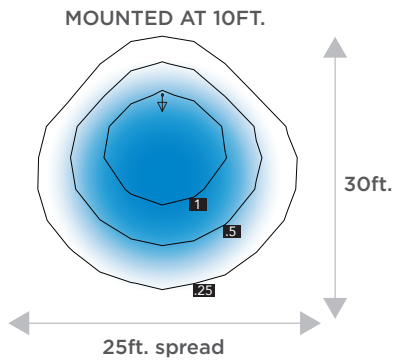
Perfect for entry ways, driveways, over doors, commercial buildings, hotels and wall perimeter security lighting.

PRODUCT LINE DRAWING

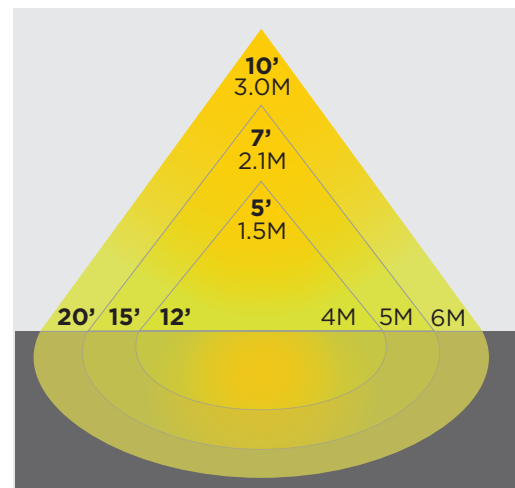


SUGGESTED MOUNTING HEIGHT:
6-12 FT.(1.8-3.7 M)

2D PHOTOMETRIC VIEW



3D PHOTOMETRIC VIEW



APPLICATIONS

