



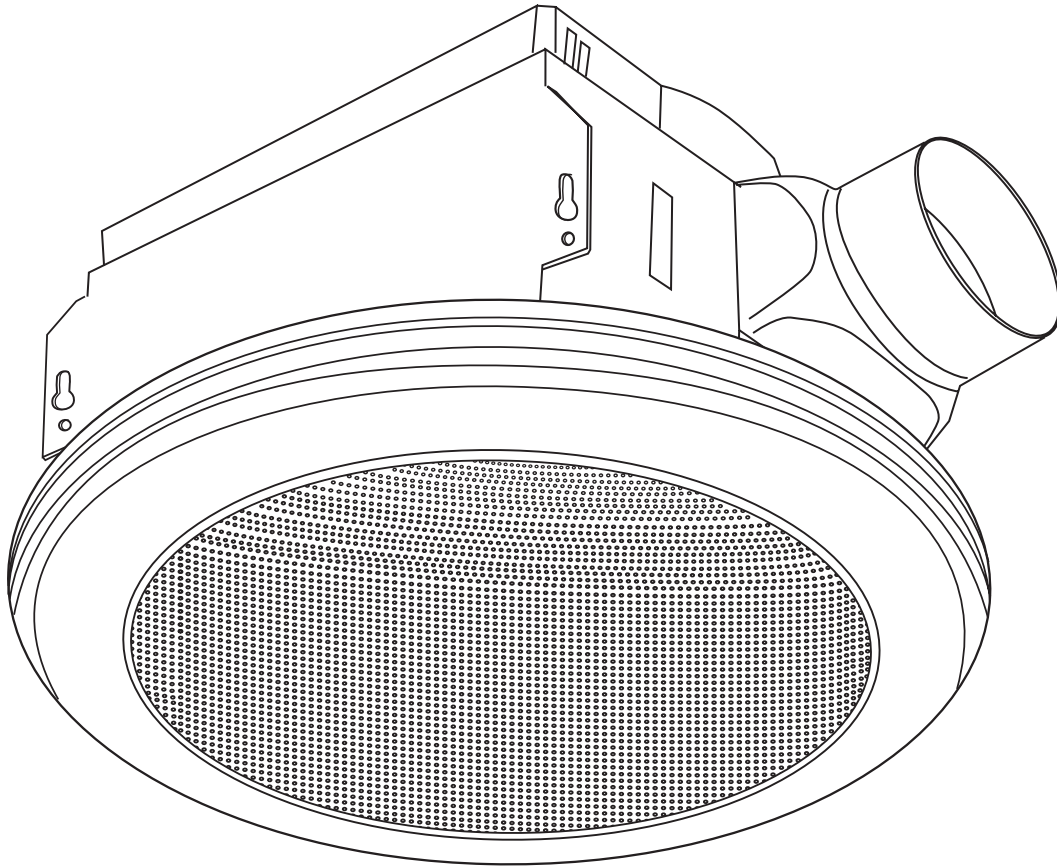
Home NetWerks

SIMPLE SOLUTIONS FOR A SMARTER HOME™

VENTILATING BATH FAN WITH BLUETOOTH® SPEAKER AND LED LIGHT

MODEL #7130-18-BT

Español p. 16



The BLUETOOTH® word mark and logos are registered trademarks owned by BLUETOOTH SIG, Inc. and any use of the said mark by Homewerks Worldwide is under license. Other trademark and trade names are those of their respective owners.



Questions, problems, missing parts? Before returning to your retailer, call our customer service department at 1-877-319-3757, 8 a.m. - 5 p.m., CST, Monday - Friday.

READ AND SAVE THESE INSTRUCTIONS

TABLE OF CONTENTS

Product Specifications	2
Package Contents	3
Safety Information	4
Preparation	5
New Construction Assembly Instructions	6
Existing Construction Assembly Instructions	8
Existing Construction Assembly Instructions – Attic Space not Accessible	11
Pairing BLUETOOTH® Device to Speaker	14
Care and Maintenance	14
Troubleshooting	15
Warranty	15

PRODUCT SPECIFICATIONS

SPECIFICATIONS
Airflow: 80 CFM
120 V, 60 Hz
Duct diameter: 4 in.

SPECIFICATIONS
Sound output: 1.5 Sones
Power consumption: 39.6 W
Weight: 6.05 lbs.

FCC COMPLIANCE

This equipment complies with FCC RF radiation exposure limits set forth for an uncontrolled environment.

This device complies with part 15 of the FCC rules. Operation is subject to the following two conditions: (1) this device may not cause harmful interference, and (2) this device must accept any interference received, including interference that may cause undesired operation.

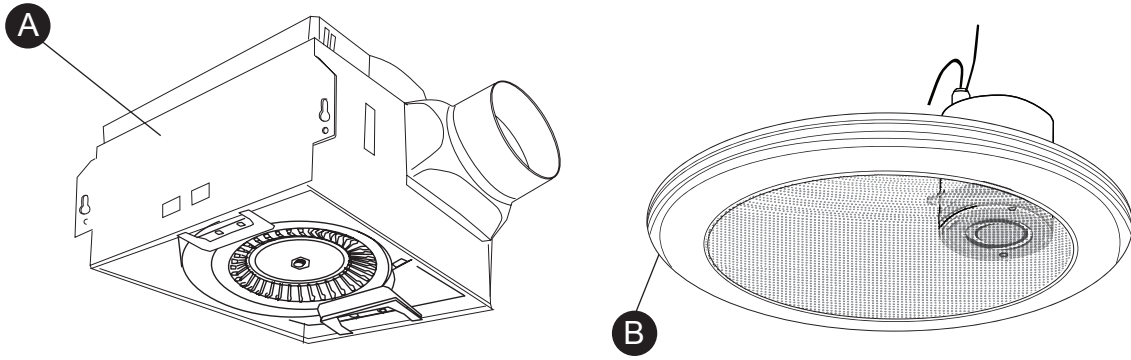
NOTE: The manufacturer is not responsible for any radio or TV interference caused by unauthorized modifications or changes to this equipment. Such modifications or changes could void the user's authority to operate the equipment.

NOTE: This equipment has been tested and found to comply with the limits for a Class B digital device, pursuant to part 15 of the FCC Rules. These limits are designed to provide reasonable protection against harmful interference in a residential installation. This

equipment generates uses and can radiate radio frequency energy and, if not installed and used in accordance with the instructions, may cause harmful interference to radio communications. However, there is no guarantee that interference will not occur in a particular installation. If this equipment does cause harmful interference to radio or television reception, which can be determined by turning the equipment off and on, the user is encouraged to try to correct the interference by one or more of the following measures:

- Reorient or relocate the receiving antenna.
- Increase the separation between the equipment and receiver.
- Connect the equipment into an outlet on a circuit different from that to which the receiver is connected.
- Consult the dealer or an experienced radio/TV technician for help.

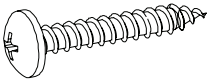
PACKAGE CONTENTS



PART	DESCRIPTION	QUANTITY
A	Fan housing	1
B	Grille with speaker and LED light	1

HARDWARE CONTENTS (not shown actual size)

AA



Long Wood
Screw

Qty. 4



SAFETY INFORMATION

Please read and understand this entire manual before attempting to assemble, operate or install the product.

1. Always disconnect the power supply prior to servicing the fan, motor or junction box.
2. Installation work must be carried out by a qualified person(s) in accordance to all local and safety codes including the rules for fire-rated construction.
3. Follow all local building, safety and electrical codes as well as NEC (National Electrical Code) and OSHA (Occupational Safety and Health Act).
4. Electric service supply must be 120 volts, 60 hertz.
5. This unit must be properly grounded.
6. Do not bend or kink the power wires.
7. Exercise care to not damage existing wiring when cutting or drilling into walls or ceilings.
8. Sufficient air supply is required for proper combustion and the exhaustion of gases through the chimney (flue) of fuel burning equipment to prevent back-drafting. See the standards of NFPA (National Fire Protection Association) and ASHRAE (American Society for Heating Refrigeration and Air Conditioning Engineers) and the local building code authorities.
9. Do not use this fan with any solid state control device, such as a remote control, dimmer switch, or certain timers. Mechanical timers are not solid state devices.
10. This ventilation fan is approved for use over a bathtub or shower when installed in a GFCI protected circuit. Do not use fans over a bathtub or shower that are not approved for that application and marked accordingly.
11. Do not use rigid conduit for installation.
12. Do not install in a cooking area.
13. Do not use to exhaust hazardous or explosive vapors.
14. Fans should always be vented to the exterior and in compliance with local codes.
15. Do not install in a ceiling with insulation greater than R40.
16. Duct work should be installed in a straight line with minimal bends.
17. Duct work size must be the same size as the discharge and should not be reduced. Reducing the duct size may increase fan noise.
18. Prior to service or cleaning this unit, shut off power supply at the panel and lock to prevent the power from being turned on. If the panel cannot be locked, clearly mark the panel with a warning tag to prevent the power from being turned on.
19. Use this unit in the manner intended by the manufacturer. If you have any questions, please call customer service.
20. The fan is intended to be mounted at least 7 ft. (2.1 m) above the floor.

PREPARATION

Before beginning assembly of product, make sure all parts are present. Compare parts with package contents list and hardware contents list. If any part is missing or damaged, do not attempt to assemble the product.

Tools Required for Assembly (not included): Hammer, Drill Bits, Flathead Screwdriver, Wire Nuts, Nails, Duct Tape, Phillips Screwdriver, Utility Knife

Helpful Tools (not included): Electric Drill, Wood Screws

WARNING: Turn off electricity at breaker box before beginning installation.

Carefully remove unit from carton.

Check area above installation location to be sure that wiring can run to the planned location and that duct work can be run and the area is sufficient for proper ventilation.

Inspect duct work and wiring before proceeding with installation.

Before installation, provide inspection and future maintenance access at a location that will not interfere with installation work.

You may need the help of a second person to install this fan; one person on the attic side and one on the room side.

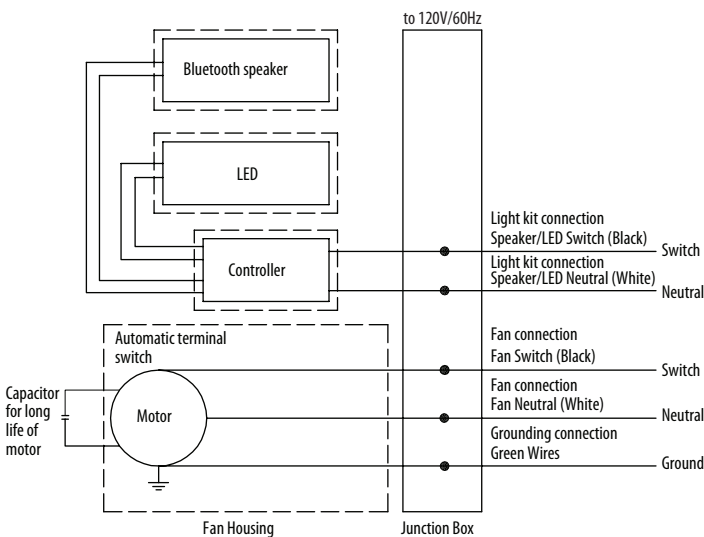
Note: Installations may vary depending on how the previous bath fan was installed. Supplies necessary for the installation of your bath fan are not all included; however, most are available at your local home improvement or hardware store.

DIMENSION REQUIREMENTS

Ceiling Opening (L)	Ceiling Opening (W)	Ceiling Opening (H)
7-1/2 in.	7-1/4 in.	7-1/4 in.

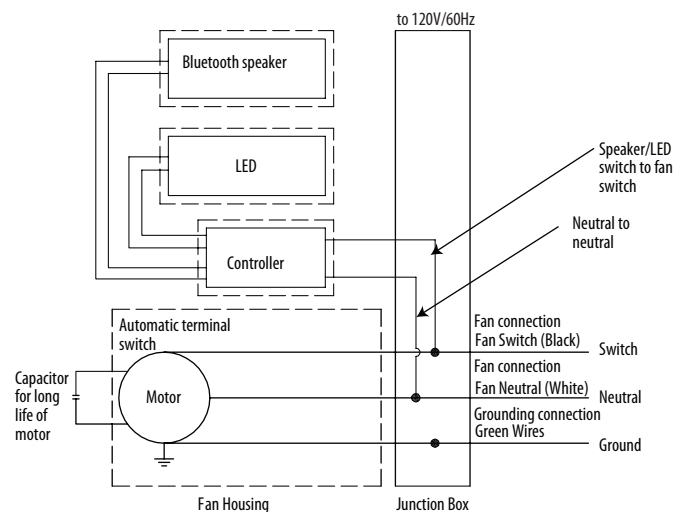
WIRING DIAGRAMS

WIRING FOR 2 SWITCH OPERATION



WIRING FOR 1 SWITCH OPERATION

NOTE: For this option cut off the quick connector caps and use standard wire nuts (not included).

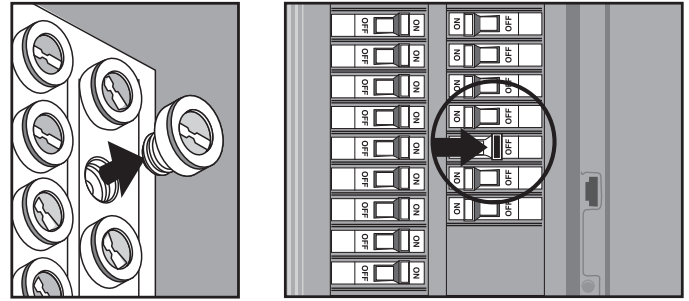


NEW CONSTRUCTION ASSEMBLY INSTRUCTIONS

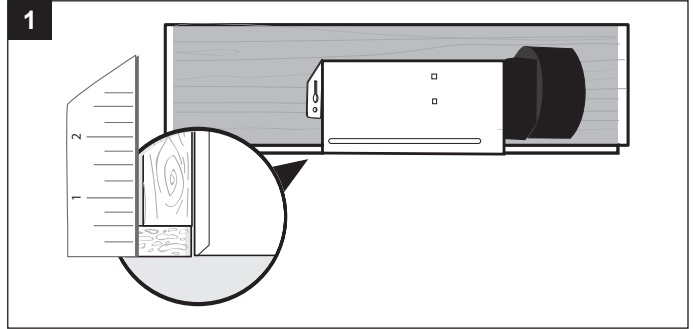
NEW CONSTRUCTION – ATTACHING TO THE JOIST

BEFORE INSTALLATION

Turn off power source. Review all safety precautions.

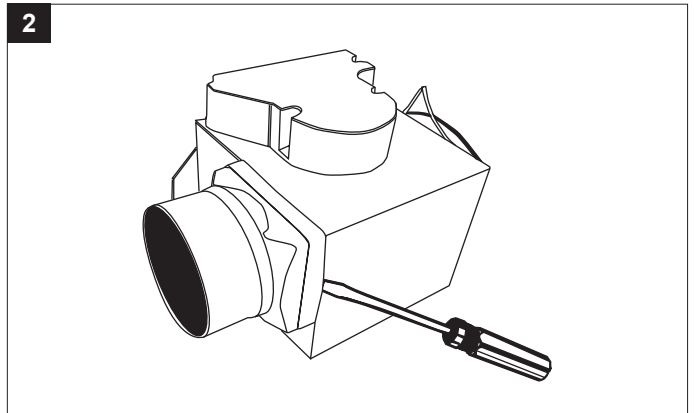


1. Place the fan housing next to a ceiling joist or wall stud. The fan housing should be level and perpendicular to the joist or stud. Allow for thickness of ceiling board used in your application. **DO NOT** flush mount to joist. Bottom of the fan housing should be flush with ceiling board.

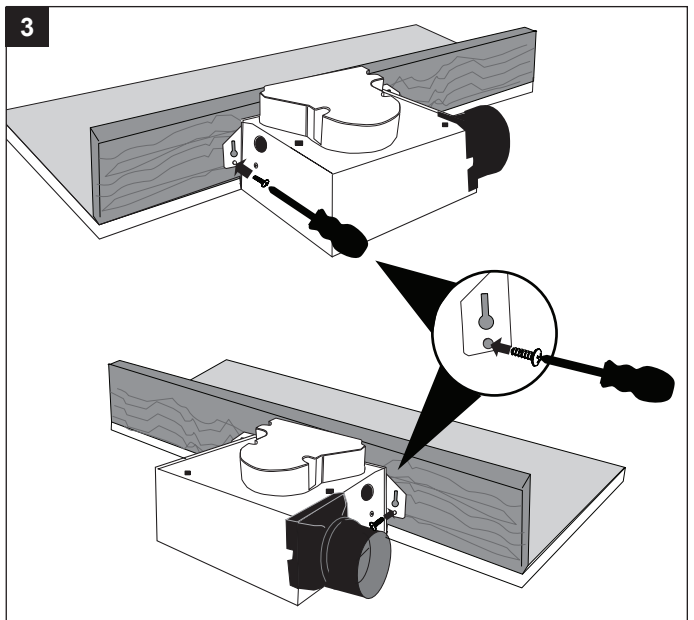
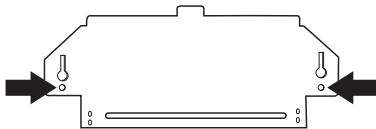


2. Before mounting the fan housing to the joist, remove the plastic duct connector for easier access to the mounting hole on the fan housing.

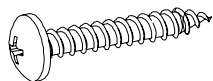
Remove the duct connector by inserting a flat head screw driver between the plastic and metal of the fan housing, then **GENTLY** pry the duct connector off.



3. Mount fan housing to the joist or stud using long wood screws (AA) where indicated by arrows outside fan housing.

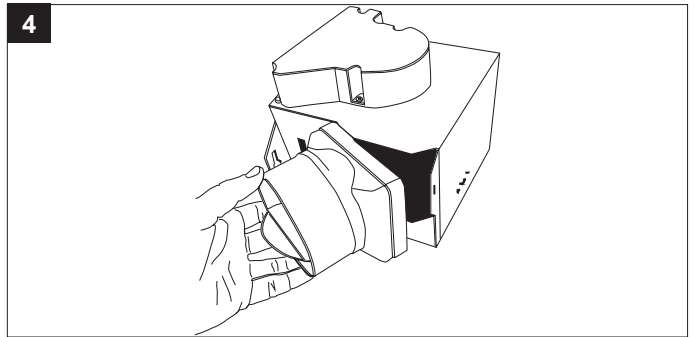


Hardware Used

- AA Long wood screws  x 2

NEW CONSTRUCTION ASSEMBLY INSTRUCTIONS

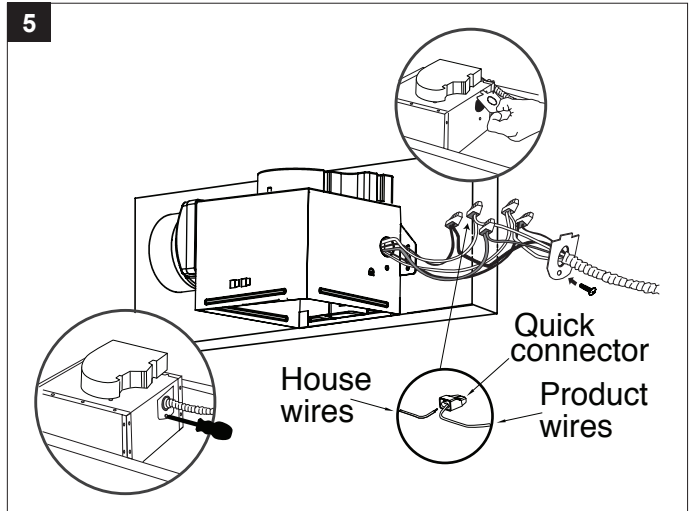
4. Replace duct connector by hooking the connector on one side of the metal flange opening on the fan housing and then pressing down on the other side to snap the connector into place. Ensure that all four metal flanges on the fan housing are inside the plastic duct connector when it is replaced.



5. Pull the house wires through the wire box cover hole. Using a quick connector, secure 120 V AC house wiring from the wall switch to the fan as shown in the wiring diagram on page 5. 14 AWB is the smallest conductor that should be used for branch-circuit wiring. Please refer to the wiring diagrams for detail on page 5.

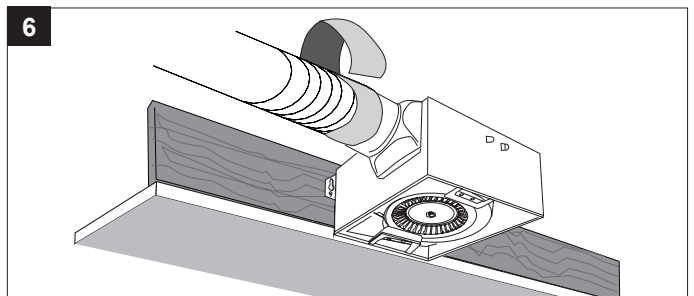
Carefully push the connect wires back into the wiring box housing. Reattach the wiring box cover.

CAUTION: If your electrical wires do not match the colors listed, you must determine what each house wire represents before connecting. You may need to consult an electrical contractor to determine safely.



6. Install a circular 4 in. duct (not included) and secure it with duct tape or clamps (neither included).

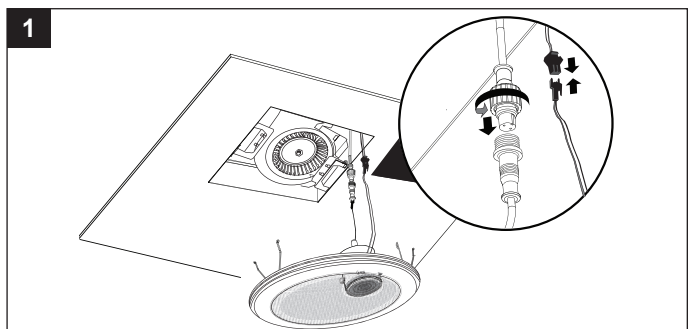
Finish ceiling work. Ceiling hole should be aligned with edge of the fan housing.



BLUETOOTH® SPEAKER FAN GRILLE INSTALLATION

Housing must be installed flush with ceiling board or the grille mounting spring will not be long enough to insert into the slots inside the fan housing.

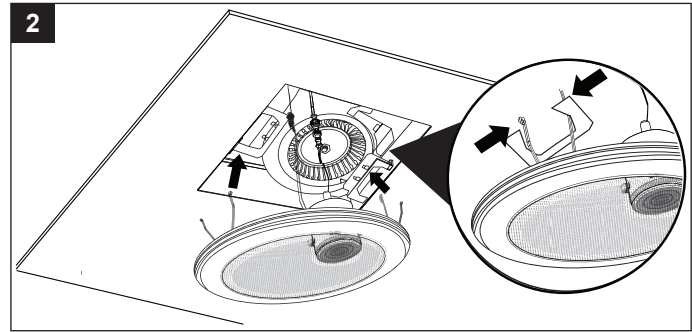
1. Join the connectors for the BLUETOOTH® speaker and power adapter.



BLUETOOTH® SPEAKER FAN GRILLE INSTALLATION

2. Attach grille by pinching mounting springs and insert into narrow rectangular slots in the fan housing.

Turn on power source.



PAIRING YOUR BLUETOOTH® DEVICE TO THE SPEAKER

1. Turn ON the bath fan if using one switch, or turn on the LIGHT if using two switches.
2. To play your personal music files, you need a wireless BLUETOOTH® device.
3. Set your device to a midrange volume before connecting to the speaker.
4. Follow the instructions that came with your BLUETOOTH® device to make it discoverable or to set it to search for other BLUETOOTH® accessories. This may involve entering a passkey or PIN (Personal Identification Number).
5. From the Home screen, choose Settings > BLUETOOTH®, the device searches for HomeWerks® speaker.

Note: While your device can maintain multiple pairing records, it can only connect to one accessory at a time. This prevents your device from sending your data to the wrong BLUETOOTH® accessory.

6. Choose the HomeWerks® speaker, and then enter a passkey or PIN (0000) if prompted.
7. When pairing is complete, you can use the BLUETOOTH® speaker to play audio with your device.
8. Optimal volume setting for the BLUETOOTH® speaker is 70% or lower. Settings higher than 70% may cause sound distortion.

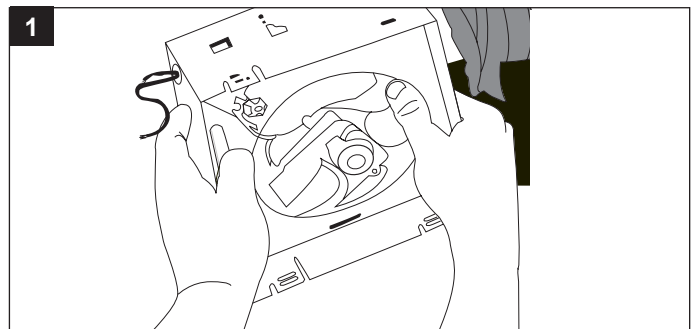
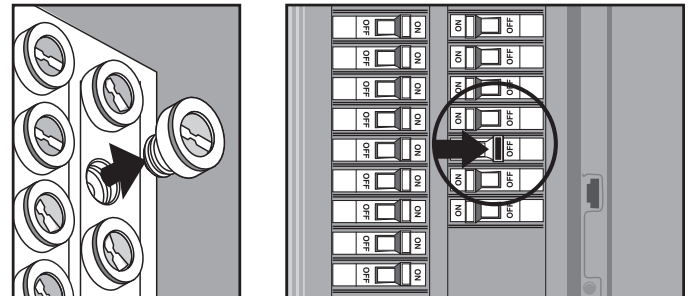
EXISTING CONSTRUCTION ASSEMBLY INSTRUCTIONS

Installing the fan housing in an existing building **REQUIRES AN ACCESSIBLE AREA** (attic or crawl space) above the planned installation location and existing duct and wiring.

BEFORE INSTALLATION

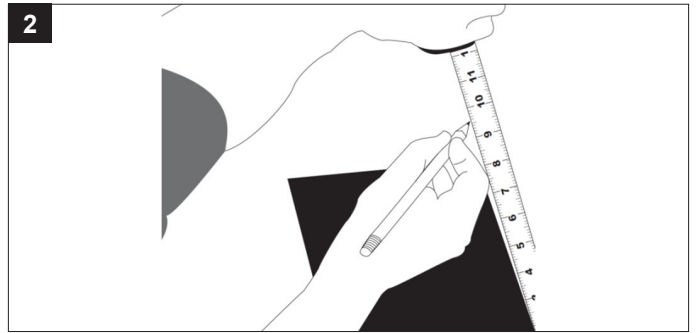
Turn off power source. Review all safety precautions.

1. Remove existing fan.

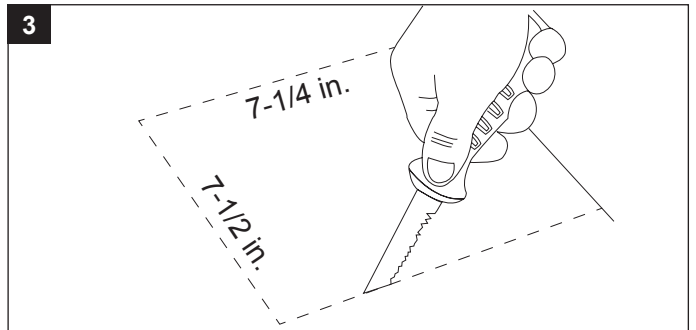


EXISTING CONSTRUCTION ASSEMBLY INSTRUCTIONS

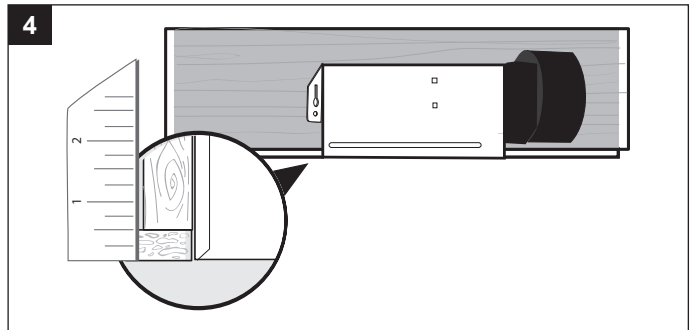
2. Measure the opening to ensure it is large enough to accommodate the new fan housing (A) (7-1/2 in. x 7-1/4 in.).



3. If this fan is not replacing an old fan, be sure to cut a 7-1/2 in. x 7-1/4 in. opening for the fan housing (A).

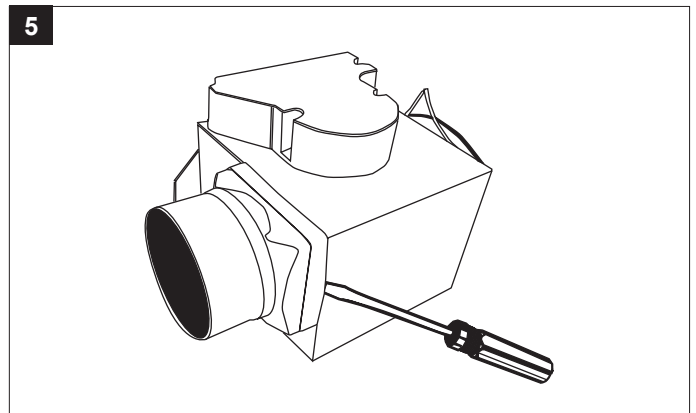


4. Place the fan housing next to a ceiling joist or wall stud. The fan housing should be level and perpendicular to the joist or stud. Allow for thickness of ceiling board used in your application. DO NOT flush mount to joist. Bottom of the fan housing should be flush with ceiling board.



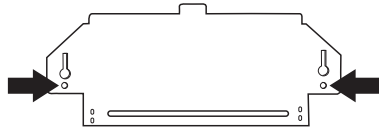
5. Before mounting the fan housing to the joist, remove the plastic duct connector for easier access to the mounting hole on the fan housing.

Remove the duct connector by inserting a flat head screw driver between the plastic and metal of the fan housing, then GENTLY pry the duct connector off.



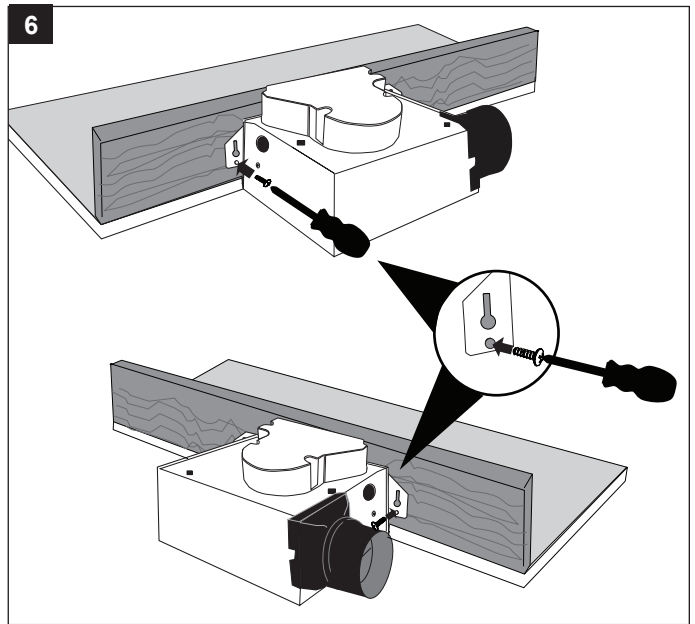
EXISTING CONSTRUCTION ASSEMBLY INSTRUCTIONS

6. Mount fan housing to the joist or stud using long wood screws (AA) where indicated by arrows outside fan housing.

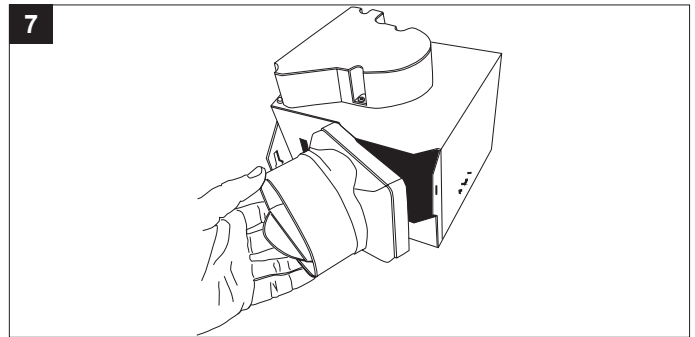


Hardware Used

- AA Long wood screws  x 2



7. Replace duct connector by hooking the connector on one side of the metal flange opening on the fan housing and then pressing down on the other side to snap the connector into place. Ensure that all four metal flanges on the fan housing are inside the plastic duct connector when it is replaced.



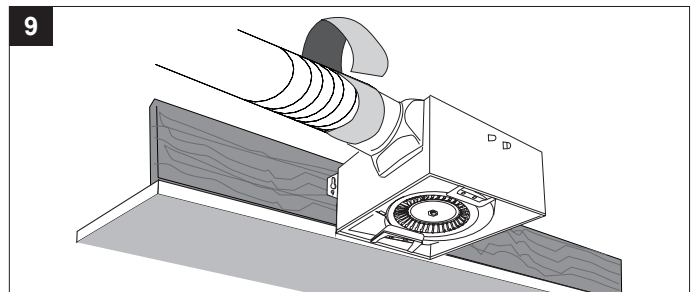
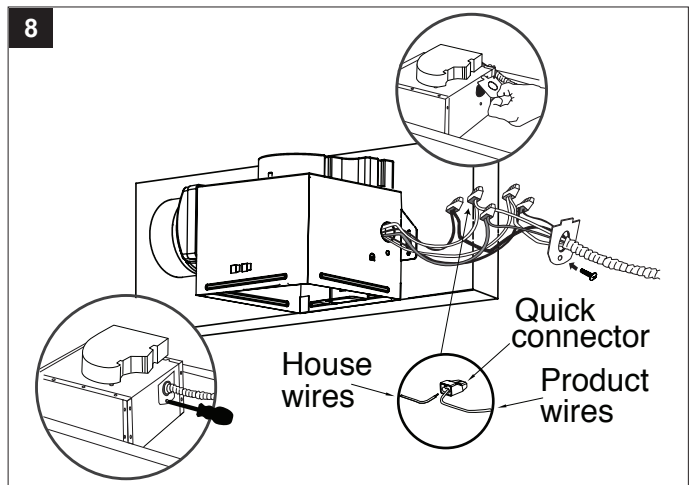
8. Pull the house wires through the wire box cover hole. Using a quick connector, secure 120 V AC house wiring from the wall switch to the fan as shown in the wiring diagram on page 5. 14 AWB is the smallest conductor that should be used for branch-circuit wiring. Please refer to the wiring diagrams for detail on page 5.

Carefully push the connect wires back into the wiring box housing. Reattach the wiring box cover.

CAUTION: If your electrical wires do not match the colors listed, you must determine what each house wire represents before connecting. You may need to consult an electrical contractor to determine safely.

9. Install a circular 4 in. duct (not included) and secure it with duct tape or clamps (neither included).

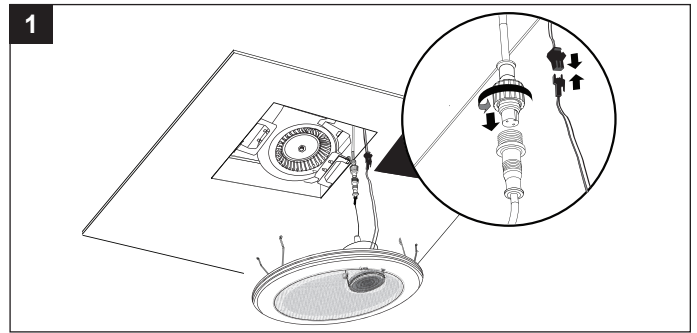
Finish ceiling work. Ceiling hole should be aligned with edge of the fan housing.



BLUETOOTH® SPEAKER FAN GRILLE INSTALLATION

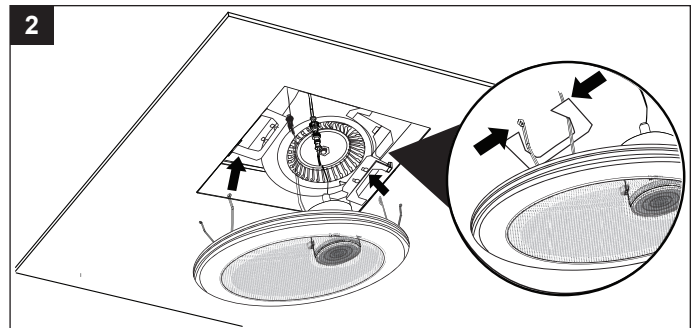
Housing must be installed flush with ceiling board or the grille mounting spring will not be long enough to insert into the slots inside the fan housing.

1. Join the connectors for the BLUETOOTH® speaker and power adapter.



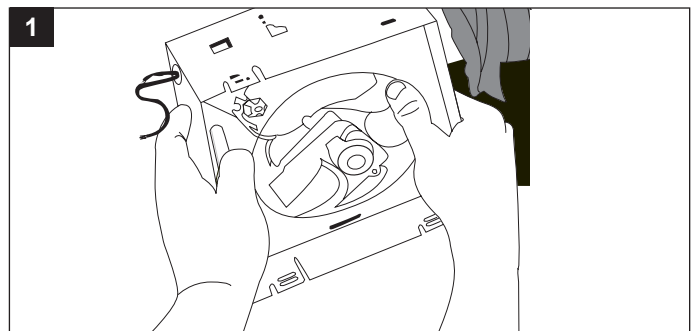
2. Attach grille by pinching mounting springs and insert into narrow rectangular slots in the fan housing.

Turn on power source.

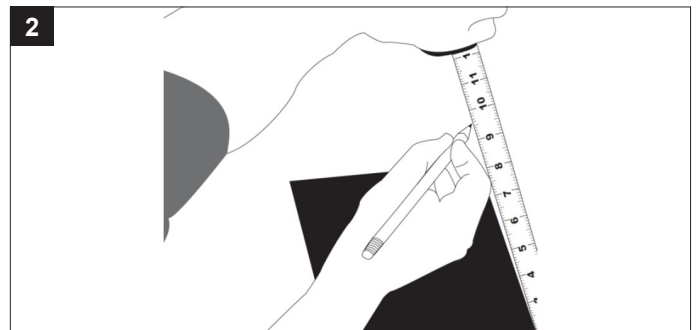


EXISTING CONSTRUCTION ASSEMBLY INSTRUCTIONS – ATTIC SPACE NOT ACCESSIBLE

1. Remove existing fan.

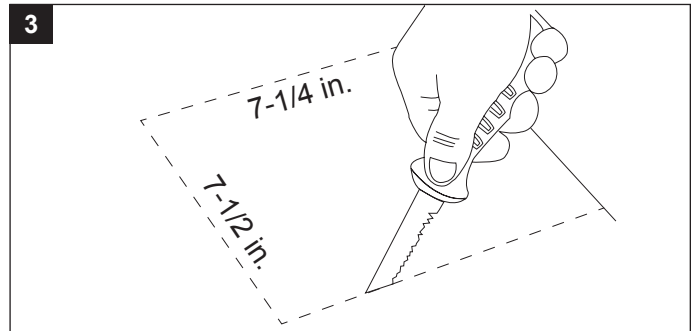


2. Measure the opening to ensure it is large enough to accommodate the new fan housing (A) (7-1/2 in. x 7-1/4 in.).



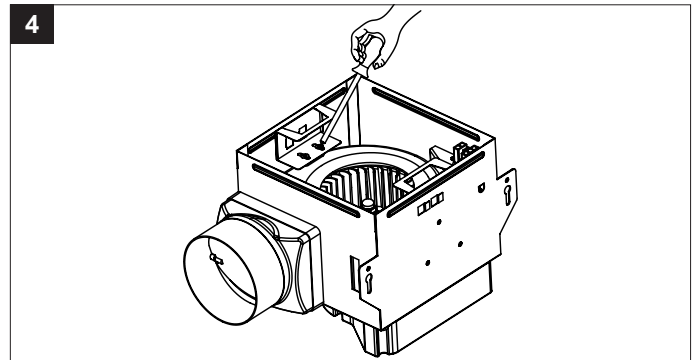
EXISTING CONSTRUCTION ASSEMBLY INSTRUCTIONS – ATTIC SPACE NOT ACCESSIBLE

3. If this fan is not replacing an old fan, be sure to cut a 7-1/2 in. x 7-1/4 in. opening for the fan housing (A).



4. Remove grille mounting bracket by unscrewing two screws on each bracket.

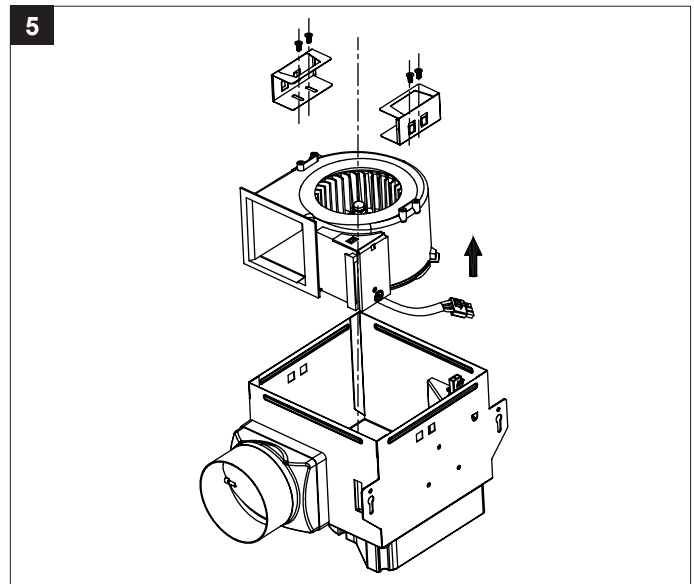
NOTE: Save screws for re-installation of fan motor and grille mounting brackets.



5. With screw removed slide the brackets to the left and then remove the housing.

Remove the three prong fan plug from the housing.

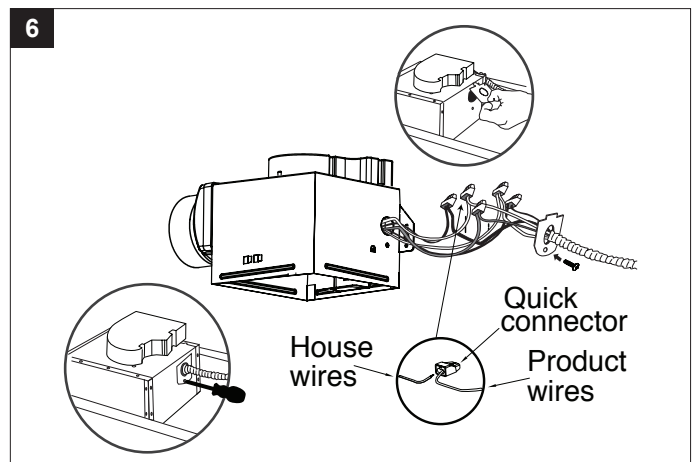
With the grille mounting brackets removed, pull the black fan unit straight out of the metal housing.



6. Pull the house wires through the wire box cover hole. Using a quick connector, secure 120 V AC house wiring from the wall switch to the fan as shown in the wiring diagram on page 5. 14 AWB is the smallest conductor that should be used for branch-circuit wiring. Please refer to the wiring diagrams for detail on page 5.

Carefully push the connect wires back into the wiring box housing. Reattach the wiring box cover.

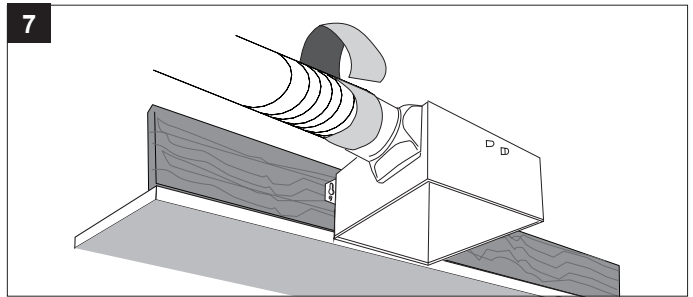
CAUTION: If your electrical wires do not match the colors listed, you must determine what each house wire represents before connecting. You may need to consult an electrical contractor to determine safely.



EXISTING CONSTRUCTION ASSEMBLY INSTRUCTIONS – ATTIC SPACE NOT ACCESSIBLE

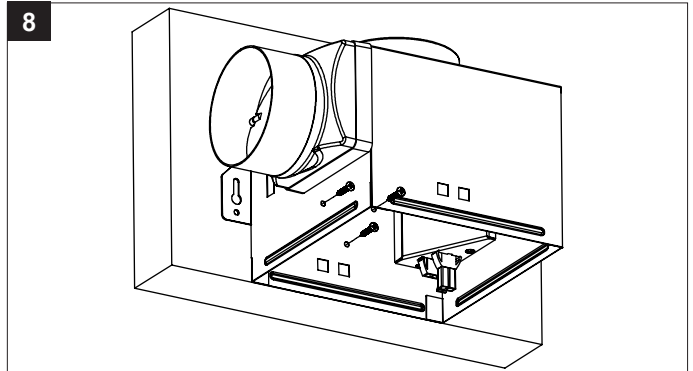
7. Install a circular 4 in. duct (not included) and secure it with duct tape or clamps (neither included).

Finish ceiling work. Ceiling hole should be aligned with edge of the fan housing.

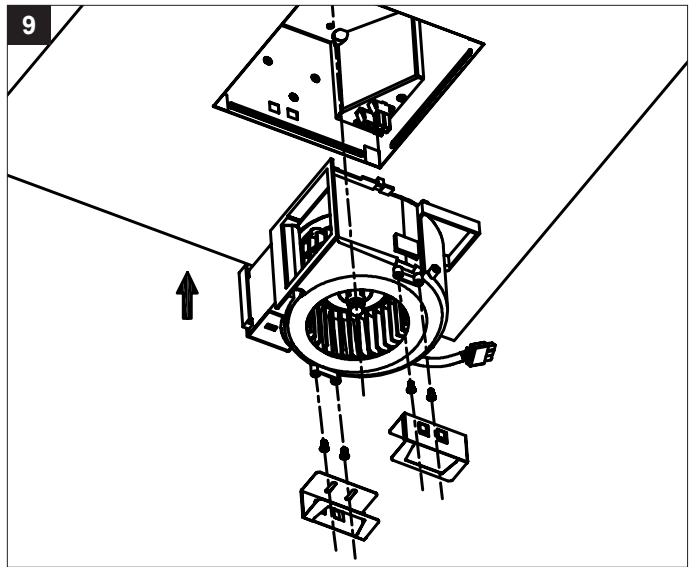


8. With the wiring and duct connected insert the fan housing into the ceiling hole. Mount the housing to the joist with three wood screws through the holes in the side of the fan housing.

Housing must be installed flush with ceiling board or the grille mounting spring will not be long enough to insert into the slots inside the fan housing.

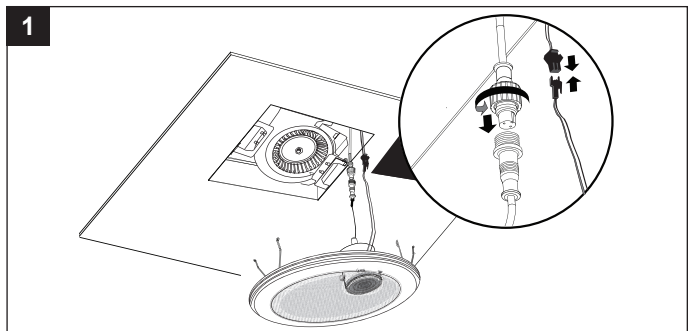


9. Fitting the fan back into the housing, aligning with the duct opening in the housing. Replace the grille mounting brackets and secure with screws. Plug the fan back into the housing.



BLUETOOTH® SPEAKER FAN GRILLE INSTALLATION

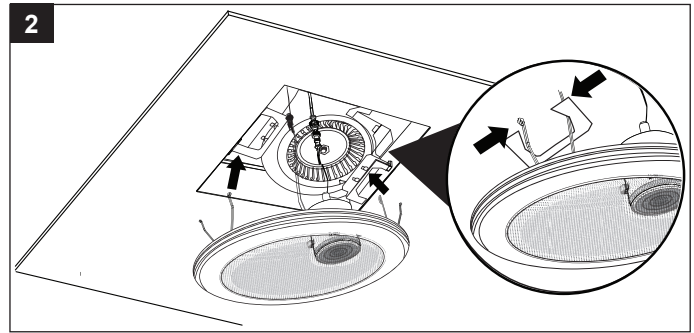
1. Join the connectors for the BLUETOOTH® speaker and power adapter.



BLUETOOTH® SPEAKER FAN GRILLE INSTALLATION

2. Attach grille by pinching mounting springs and insert into narrow rectangular slots in the fan housing.

Turn on power source.



PAIRING YOUR BLUETOOTH® DEVICE TO THE SPEAKER

1. Turn ON the bath fan if using one switch, or turn on the LIGHT if using two switches.
2. To play your personal music files, you need a wireless BLUETOOTH® device.
3. Set your device to a midrange volume before connecting to the speaker.
4. Follow the instructions that came with your BLUETOOTH® device to make it discoverable or to set it to search for other BLUETOOTH® accessories. This may involve entering a passkey or PIN (Personal Identification Number).
5. From the Home screen, choose Settings > BLUETOOTH®, the device searches for HomeWerks® speaker.

Note: While your device can maintain multiple pairing records, it can only connect to one accessory at a time. This prevents your device from sending your data to the wrong BLUETOOTH® accessory.

6. Choose the HomeWerks® speaker, and then enter a passkey or PIN (0000) if prompted.
7. When pairing is complete, you can use the BLUETOOTH® speaker to play audio with your device.
8. Optimal volume setting for the BLUETOOTH® speaker is 70% or lower. Settings higher than 70% may cause sound distortion.

CARE AND MAINTENANCE

See safety information before proceeding. Routine maintenance should be done at least once a year.

Turn off power source. Review all safety precautions.

- Never use solvents, thinner or harsh chemicals for cleaning the fan.
- Do not allow water to enter the motor.
- Do not immerse metal parts in water.
- Do not immerse resin parts in water over 140 degrees Fahrenheit.
- Do not immerse BLUETOOTH® speaker in water

TROUBLESHOOTING

PROBLEM	POSSIBLE CAUSE	CORRECTIVE ACTION
The fan seems louder than it should	CFM too great	Be sure the CFM rating on the fan matches the size of your room.
	Damper not working properly or damaged	Check damper to ensure it is opening and closing properly. If the damper has become damaged, please call Customer Service.
	Bend in duct too close to fan discharge	Be sure you do not have any sharp bends in duct closer than 18 in. to the fan discharge.
	Fan discharge reduced to fit smaller duct	Use recommended size ducting to reduce fan noise.
	Fan housing not securely attached	Be sure the fan is securely attached to your ceiling joists.
The fan is not clearing the room	Insufficient intake airflow within room	Be sure a door or window is slightly ajar or opened to allow airflow. The fan is not able to draw air out of the room without enough airflow to draw from.
	Insufficient CFM	Be sure the CFM rating on the fan matches the requirements for your room size. NOTE: Using a tissue is not an accurate method for determining if the fan is operating properly. If the fan clears steam from the room within approximately 15 minutes of completing your shower, then the fan is operating properly.
Can't find HOMEWERKS for pairing	Light is not on	Turn on the light.

FAN – LIMITED 3-YEAR WARRANTY

If the fan fails due to a defect in materials or workmanship at any time during the first THREE years of ownership, the manufacturer will replace it free of charge, postage-paid at their option. This warranty does not cover products that have been abused, altered, damaged, misused, cut or worn. This warranty does not cover use in commercial applications. Use only manufacturer-supplied genuine warranty repair replacement parts to repair this fan. Use of non-genuine repair parts will void your warranty. The manufacturer DISCLAIMS all other implied or express warranties including all warranties of merchantability and/or fitness for a particular purpose. As some states do not allow exclusions or limitations on an implied warranty, the above exclusions and limitations may not apply. This warranty gives you specific legal rights, and you may have other rights that vary from state to state.

This warranty is limited to the replacement of defective parts only. Labor charges and/or damage incurred during installation, repair, replacement as well as incidental and consequential damages connected with the above are excluded. Any damage to this product as a result of neglect, misuse, accident, improper installation or use other than the purpose SHALL VOID THIS WARRANTY.

Shipping costs for return product as part of a claim on the warranty must be paid for by the customer.

Inquiries regarding warranty claims can be directed to 1-877-319-3757, 8 a.m. - 5 p.m., CST, Monday - Friday.

BLUETOOTH® SPEAKER – LIMITED 1-YEAR WARRANTY

If the BLUETOOTH® speaker fails due to a defect in materials or workmanship at any time during the first year of ownership, the manufacturer will replace it free of charge, postage-paid at their option. This warranty does not cover products that have been abused, altered, damaged, misused, cut or worn. This warranty does not cover use in commercial applications. Use only manufacturer-supplied genuine warranty repair replacement parts to repair this fan. Use of non-genuine repair parts will void your warranty. The manufacturer DISCLAIMS all other implied or express warranties including all warranties of merchantability and/or fitness for a particular purpose. As some states do not allow exclusions or limitations on an implied warranty, the above exclusions and limitations may not apply. This warranty gives you specific legal rights, and you may have other rights that vary from state to state.

This warranty is limited to the replacement of defective parts only. Labor charges and/or damage incurred during installation, repair, replacement as well as incidental and consequential damages connected with the above are excluded. Any damage to this product as a result of neglect, misuse, accident, improper installation or use other than the purpose SHALL VOID THIS WARRANTY.

Shipping costs for return product as part of a claim on the warranty must be paid for by the customer.

Inquiries regarding warranty claims can be directed to 1-877-319-3757, 8 a.m. - 5 p.m., CST, Monday - Friday.

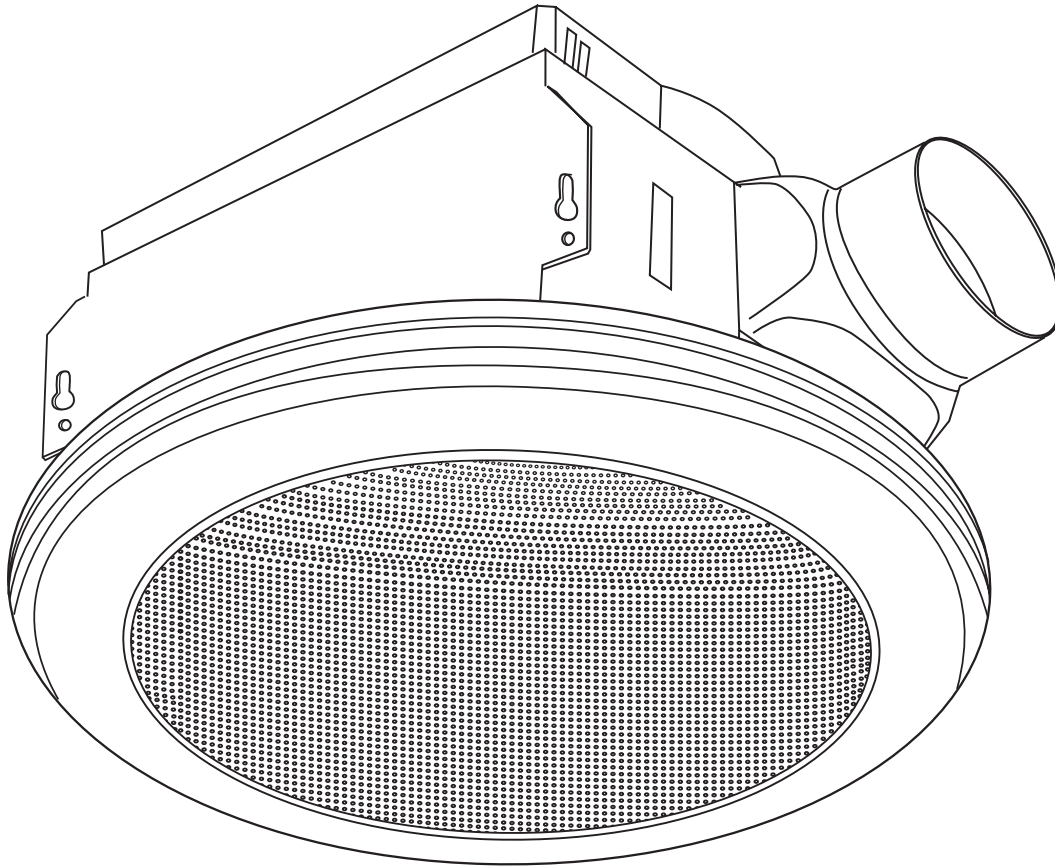


Home NetWerks

SIMPLE SOLUTIONS FOR A SMARTER HOME™

VENTILADOR DE VENTILACIÓN CON BLUETOOTH® ALTAVOZ Y LUZ LED

MODELO #7130-18-BT



Número de patente de EE.UU. 9,398,357

La marca BLUETOOTH® y sus logotipos son marcas comerciales registradas propiedad de Bluetooth SIG, Inc. y cualquier uso de dicha marca por Homewerks Worldwide es bajo licencia. Otros nombres de marcas y el comercio son de sus respectivos propietarios.



¿Preguntas, problemas, piezas faltantes? Las preguntas relacionadas con reclamos de la garantía pueden realizarse al 1-877-319-3757, de 8 a. m. a 5 p. m., hora central estándar, de lunes a viernes.

LEA Y GUARDE ESTAS INSTRUCCIONES

TABLA DE CONTENIDO

Especificaciones del producto	17
Contenido del paquete	18
Información de seguridad	19
Preparación	20
Instrucciones de montaje de construcción nueva	18
Instrucciones de montaje de construcción existentes	23
Instrucciones de montaje de construcción existentes – Espacio del Ático no Accesible	26
Emparejamiento del dispositivo Bluetooth® con el altavoz	29
Cuidado y mantenimiento	30
Solución de problemas	30
Garantía	30

ESPECIFICACIONES DEL PRODUCTO

ESPECIFICACIONES	ESPECIFICACIONES
Flujo de aire: 80 CFM	Potencia de sonido: 1.5 sonios
120V, 60Hz	Consumo eléctrico motor: 39,6 watts
Diámetro del conducto: 10,2 cm	Peso: 2,74 kg

FCC CONFORMIDAD

Este equipo cumple con los límites de exposición de radiación RF de la FCC establecidos para un entorno no controlado.

Este dispositivo cumple con la parte 15 de las normas FCC. La operación está sujeta a las siguientes dos condiciones: (1) este dispositivo no puede causar interferencias perjudiciales y (2) este dispositivo debe aceptar cualquier interferencia recibida, incluyendo interferencias que puedan causar un funcionamiento no deseado.

NOTA: El fabricante no es responsable de ninguna interferencia de radio o televisión ocasionada por modificaciones o cambios no autorizados a este equipo. Tales modificaciones o cambios podrían anular la autoridad del usuario para operar el equipo.

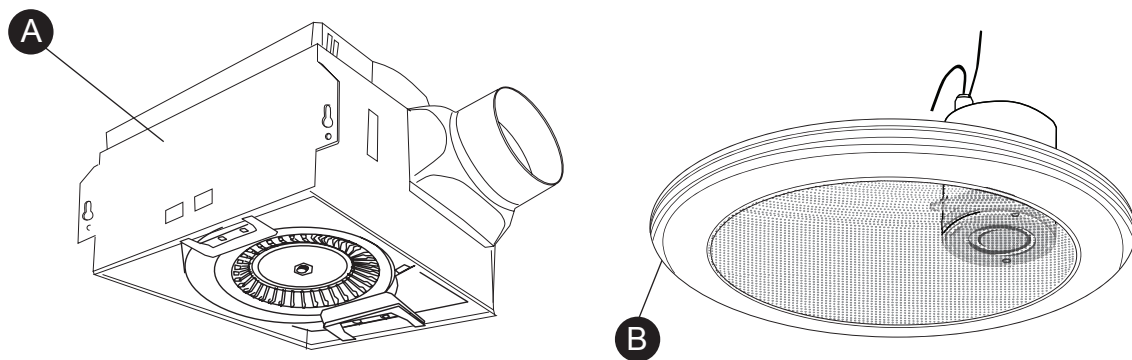
NOTA: Este equipo ha sido probado y cumple con los límites para un dispositivo digital de Clase B, según la Parte 15 de la normativa FCC. Estos límites están diseñados para proporcionar una protección razonable contra las interferencias perjudiciales en una instalación residencial. Este equipo genera, utiliza y puede irradiar energía de radiofrecuencia y, si no se instala y utiliza de acuerdo con las instrucciones,

puede causar interferencias perjudiciales en las comunicaciones de radio. Sin embargo, no hay garantía de que no se produzcan interferencias en una instalación en particular. Si este equipo causa interferencias perjudiciales en la recepción de radio o televisión, lo cual puede determinarse apagándolo y encendiéndolo, se recomienda al usuario que intente corregir la interferencia mediante una o más de las siguientes medidas:

- Reorientar o reubicar la antena receptora.
- Aumentar la separación entre el equipo y el receptor.
- Conectar el equipo a un tomacorriente en un circuito diferente de aquel al que está conectado el receptor.
- Consulte al distribuidor o a un técnico de radio/televisión para obtener ayuda.

Los cambios o modificaciones realizados en este equipo sin la aprobación expresa por Homewerks Worldwide, LLC pueden anular la autorización de la FCC para usar este equipo.

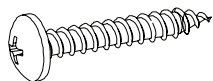
CONTENIDO DEL PAQUETE



PIEZA	DESCRIPCIÓN	CANTIDAD
A	Carcasa del ventilador	1
B	Parrilla con altavoz y luz LED	1

ADITAMENTOS (no es el tamaño real)

AA



Tornillo de
madera largo
Cantidad 4



INFORMACIÓN DE SEGURIDAD

Lea y comprenda completamente este manual antes de intentar ensamblar, usar o instalar el producto.

1. Desconecte siempre el suministro de electricidad antes de realizar tareas de mantenimiento en el ventilador, el motor o la caja de unión.
2. Se recomienda instalación profesional. El trabajo de instalación debe ser realizada por una persona cualificada (s) de acuerdo con todos los códigos locales y de seguridad, incluyendo las normas de construcción resistente al fuego.
3. Respete todos los códigos locales eléctricos y de seguridad del edificio, además del Código nacional de electricidad (NEC, por sus siglas en inglés) y el de la Administración de Salud y Seguridad Ocupacional (OSHA, por sus siglas en inglés).
4. El suministro de energía eléctrica debe ser de 120 V 60 Hz.
5. Esta unidad debe tener una conexión a tierra adecuada.
6. No doble ni pliegue los conductores de fuerza.
7. Cuando corte o taladre las paredes o el techo, tenga cuidado de no dañar el cableado eléctrico existente.
8. Es necesario un suministro de aire adecuado para que se produzca una combustión apropiada y la extracción de gases a través de chimeneas (tiro) del equipo de combustión para evitar la explosión de flujo de aire en retroceso. Consulte las normas de la Asociación Nacional de Protección contra Incendios (NFPA, por sus siglas en inglés), la Sociedad Americana de Ingenieros para Calefacción, Refrigeración y Aire Acondicionado (ASHRAE, por sus siglas en inglés) y las autoridades del código de construcción local.
9. No use este ventilador con dispositivos de control de estado sólido, por ejemplo, un control remoto, un regulador de intensidad o determinados temporizadores. Los temporizadores mecánicos no son dispositivos de estado sólido.
10. Este ventilador está aprobado para su uso sobre bañeras o duchas cuando se instala con un interruptor de circuitos de falla de conexión a tierra (GFCI, por sus siglas en inglés). No use ventiladores sobre bañeras o duchas que no estén aprobadas ni marcadas para dicha aplicación.
11. No utilice conductos rígidos para la instalación.
12. No lo instale en áreas de cocina.
13. No lo use para extraer vapores peligrosos o explosivos.
14. Los ventiladores deben contar siempre con una salida al exterior y que cumpla con los códigos locales.
15. No instale en un techo con aislamiento superior a R42.
16. Los componentes para conductos se deben instalar en línea recta, con el mínimo de dobleces.
17. El tamaño de los componentes para conductos debe representar el mismo tamaño de la descarga y no se debe reducir. Puede reducir el tamaño del conducto, pero los tamaños menores pueden incrementar el ruido del ventilador.
18. Antes de realizar tareas de mantenimiento o limpiar la unidad, corte el suministro de electricidad en el panel y bloquéelo a fin de impedir la activación de la alimentación. Si no puede bloquear el panel, márkelo claramente con una etiqueta de advertencia para evitar que otros conecten la alimentación.
19. Use esta unidad solo de la manera prevista por el fabricante. Si tiene preguntas, llame al fabricante (al número del Servicio al Cliente que aparece en la primera página).
20. El ventilador está destinado a ser montado, al menos, 2,1 metros sobre el suelo.

PREPARACIÓN

Antes de comenzar el montaje del producto, asegúrese de que todas las piezas estén presentes. Compare las piezas con la lista de contenido del paquete y la lista de contenido del hardware. Si falta alguna pieza o está dañada, no intente montar el producto.

Herramientas necesarias para el ensamblaje (no incluidas): Martillo, brocas, destornillador de cabeza plana, tuercas de alambre, clavos, cinta aislante, destornillador Phillips, cuchillo utilitario

Herramientas útiles (no incluidas): Taladro eléctrico, tornillos de madera

ADVERTENCIA: Apague la electricidad en la caja del interruptor antes de comenzar la instalación.

Retire cuidadosamente la unidad del cartón.

Verifique la zona sobre la ubicación de la instalación para asegurarse de que el cableado puede funcionar a la ubicación planeada y que el trabajo del conducto se puede ejecutar y el área es suficiente para una ventilación adecuada.

Inspeccione el trabajo del conducto y el cableado antes de continuar con la instalación.

Antes de la instalación, proporcione inspección y acceso de mantenimiento futuro en un lugar que no interfiera con el trabajo de instalación.

Puede que necesite la ayuda de una segunda persona para instalar este ventilador; Una persona en el ático y uno en el lado de la habitación.

Nota: Las instalaciones pueden variar dependiendo de cómo se instaló el ventilador de baño anterior. Suministros necesarios

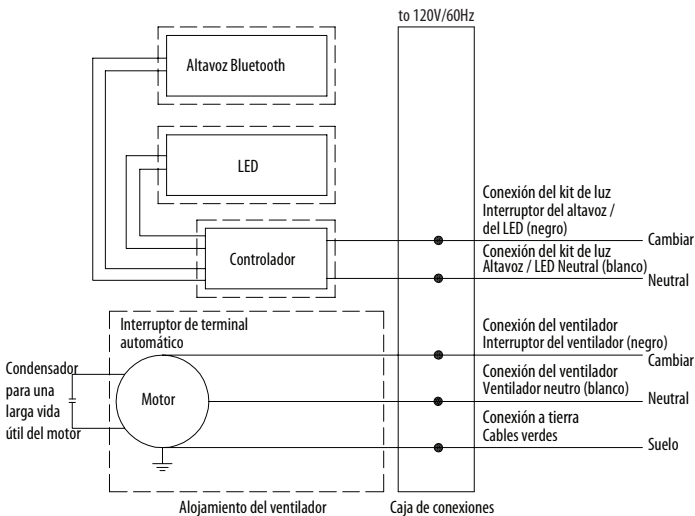
Para la instalación de su ventilador del baño no se incluyen todos; Sin embargo, la mayoría están disponibles en su tienda local de mejoras para el hogar o de hardware.

DIMENSIÓN

Techo Apertura (L)	Techo Apertura (W)	Techo Apertura (H)
7-1/2 pulg.	7-1/4 pulg.	7-1/4 pulg.

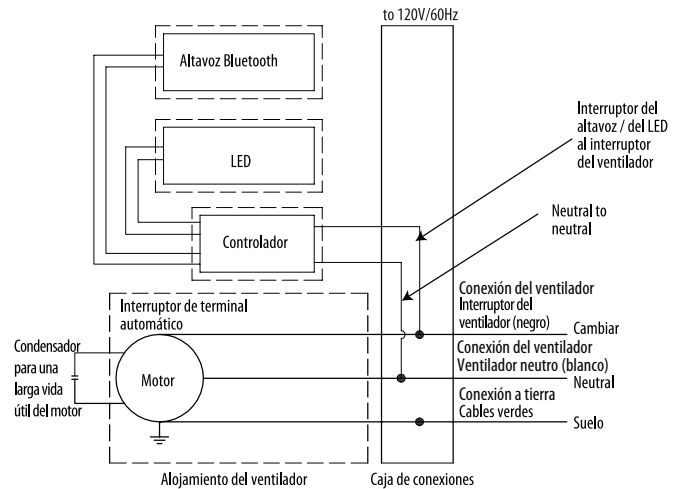
DIAGRAMA DE CABLEADO

CABLEADO PARA 2 OPERACIONES DEL INTERRUPTOR



CABLEADO PARA 1 OPERACIÓN DE INTERRUPTOR

NOTA: Para esta opción, corte las tapas del conector rápido y utilice tuercas de cable estándar (no incluidas).

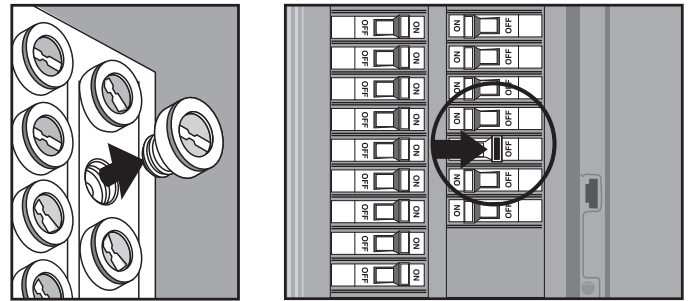


INSTRUCCIONES DE ENSAMBLAJE

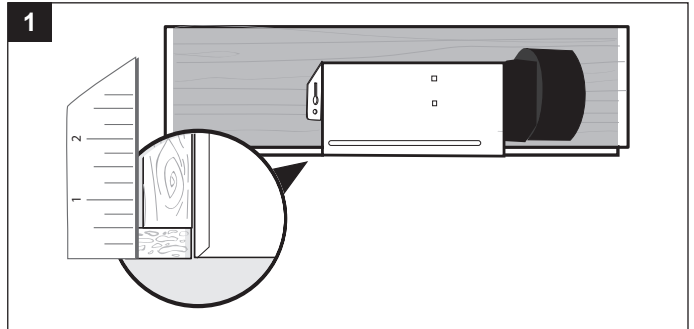
NUEVA CONSTRUCCIÓN - COLOCACIÓN DE LA VIGA

ANTES DE LA INSTALACIÓN

Apague la fuente de poder. Revisar toda la seguridad precauciones.

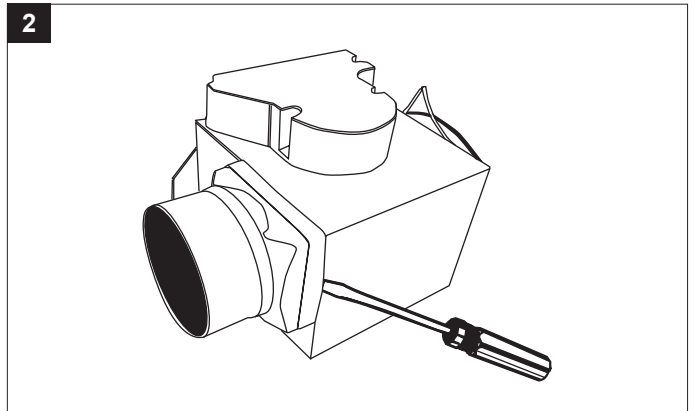


1. Coloque la carcasa del ventilador junto a una viga del techo o un perno de pared. La carcasa del ventilador debe estar nivelada y perpendicular a la viga o perno. Permitir el espesor de la tabla de techo utilizado en su aplicación. **NO** montar enrasado a la viga. La parte inferior de la carcasa del ventilador debe estar alineada con la placa del techo.

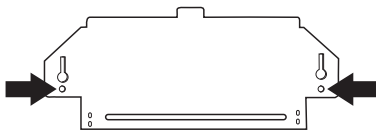


2. Antes de montar la carcasa del ventilador en la vigueta, retire el conector del conducto de plástico para facilitar el acceso al orificio de montaje en la carcasa del ventilador.

Retire el conector del conducto insertando un destornillador de cabeza plana entre el plástico y el metal de la carcasa del ventilador, luego **GIMENTAMENTE** levante el conector del conducto.



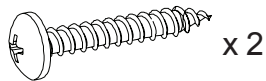
3. Monte la carcasa del ventilador a la viga o al perno usando tornillos de madera largos (AA) donde se indican mediante flechas fuera de la carcasa del ventilador.



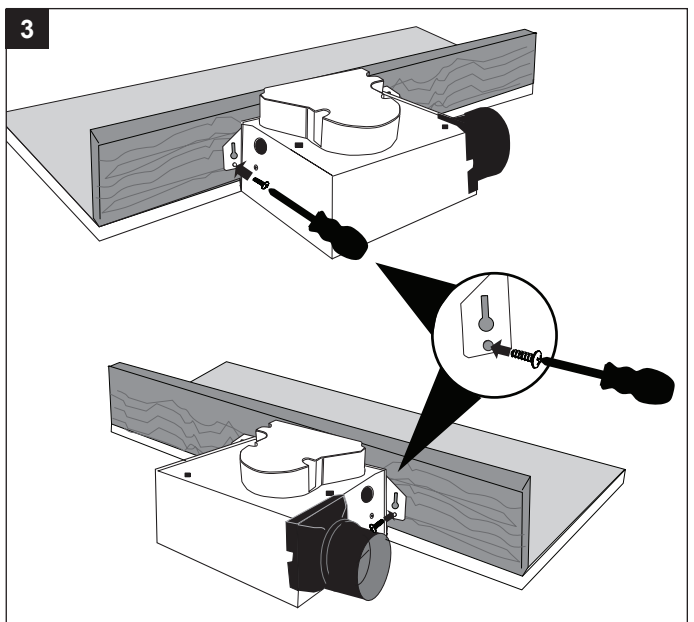
Aditamentos utilizados

AA

Tornillo de madera largo

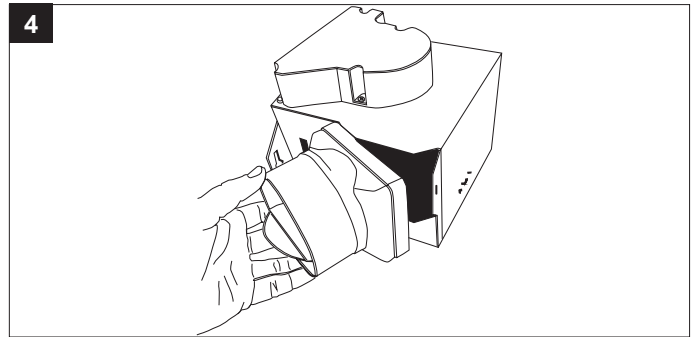


x 2



INSTRUCCIONES DE ENSAMBLAJE

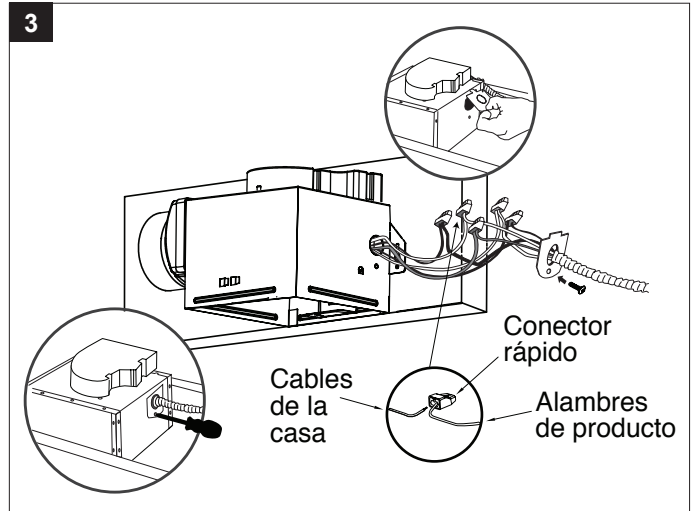
4. Vuelva a colocar el conector del conducto enganchando el conector en un lado de la abertura de brida metálica en la carcasa del ventilador y presionando hacia abajo en el otro lado para encajar el conector en su lugar. Asegúrese de que las cuatro bridas metálicas de la carcasa del ventilador están dentro del conector del conducto de plástico cuando se sustituye.



5. Tire de los cables de la casa a través del orificio de la tapa de la caja de alambre. Utilizando un conector rápido, asegure el cableado de la casa de 120 V AC desde el interruptor de pared al ventilador como se muestra en el diagrama de cableado en la página 5. 14 AWB es el conductor más pequeño que se debe usar para el cableado del circuito derivado. Consulte los diagramas de cableado para obtener detalles en la página 5.

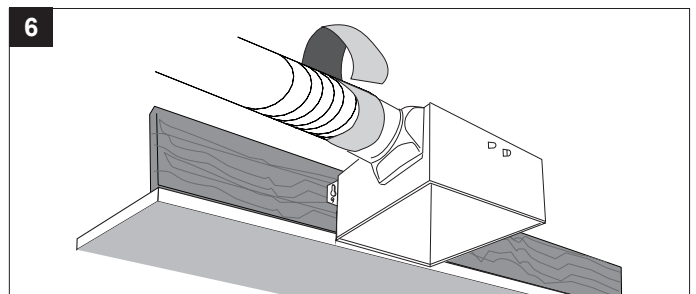
Presione con cuidado los cables de conexión en la caja de la caja de conexiones. Vuelva a colocar la cubierta de la caja de cableado.

Precaución: Si sus cables eléctricos no coinciden con los colores enumerados, debe determinar qué representa cada cable de la casa antes de conectarse. Usted puede necesitar consultar a un contratista eléctrico para determinar con seguridad.



6. Instale un conducto circular de 4 pulgadas (no incluido) y asegúrelo con cinta adhesiva o abrazaderas (niincluido).

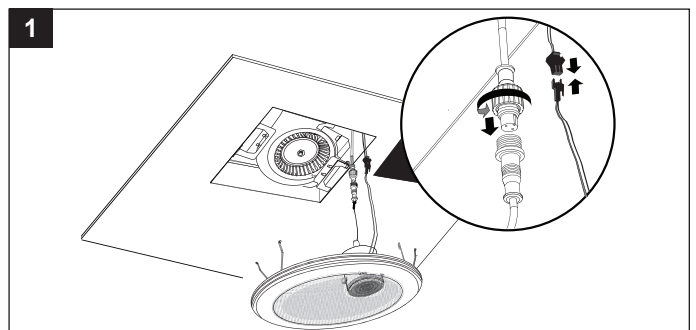
Termine el trabajo del techo. El orificio del techo debe estar alineado con el borde de la carcasa del ventilador.



INSTALACIÓN DE LA PARRILLA DEL VENTILADOR DE BLUETOOTH®

La carcasa debe instalarse al ras con la placa de techo o el muelle de montaje de la rejilla no será lo suficientemente largo para insertar en las ranuras dentro de la carcasa del ventilador.

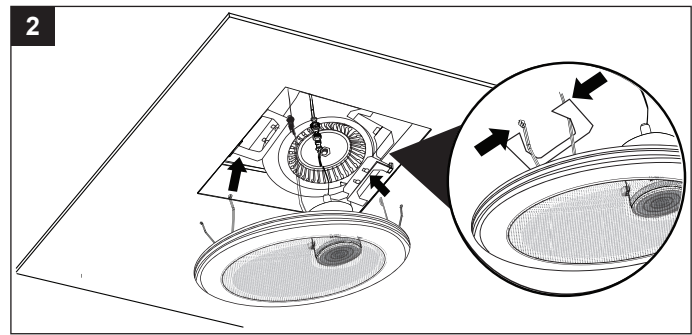
1. Una los conectores para el altavoz y el adaptador de corriente BLUETOOTH®.



INSTALACIÓN DE LA PARRILLA DEL VENTILADOR DE BLUETOOTH®

2. Conecte la rejilla presionando los resortes de montaje e inserte en ranuras rectangulares estrechas en la carcasa del ventilador.

Encienda la fuente de alimentación.



EMPAREJANDO SU DISPOSITIVO BLUETOOTH® AL ALTAVOZ

1. Encienda el ventilador de baño si usa un interruptor, o encienda la LUZ si usa dos interruptores.
2. Para reproducir sus archivos de música personales, necesita un dispositivo inalámbrico BLUETOOTH®.
3. Ajuste su dispositivo en un volumen de gama media antes de conectarlo al altavoz.

4. Siga las instrucciones que vienen con su dispositivo BLUETOOTH® para que sea detectable o para configurarlo para buscar otros accesorios de BLUETOOTH®. Esto puede implicar la introducción de una clave de acceso o PIN (número de identificación personal).

5. En la pantalla de inicio, seleccione Configuración > BLUETOOTH®, el dispositivo buscará el altavoz de HomeWerks®.

Nota: Si bien el dispositivo puede mantener varios registros de sincronización, sólo puede conectarse a un accesorio a la vez. Esto evita que el dispositivo envíe los datos al accesorio incorrecto de BLUETOOTH®.

6. Seleccione el altavoz HomeWerks® y, a continuación, introduzca una clave de acceso o PIN (0000) si se le solicita.

7. Cuando el emparejamiento esté completo, puede utilizar el altavoz BLUETOOTH® para reproducir audio con su dispositivo.

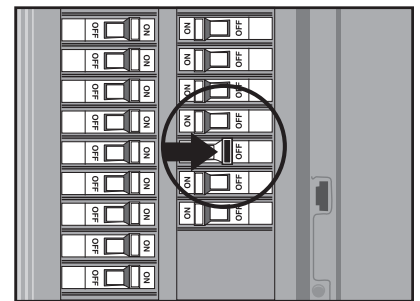
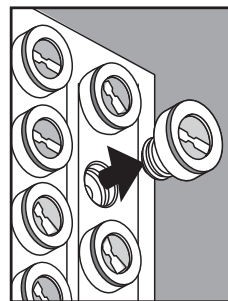
8. El ajuste óptimo de volumen para el altavoz BLUETOOTH® es 70% o inferior. Los ajustes superiores al 70% pueden causar distorsión de sonido.

INSTRUCCIONES DE MONTAJE DE LA CONSTRUCCIÓN EXISTENTE

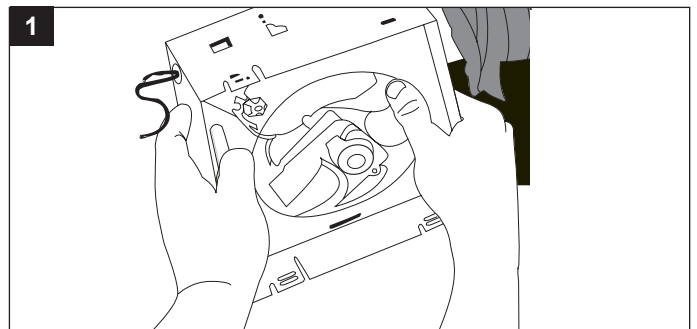
La instalación de la carcasa del ventilador en un edificio existente requiere un área accesible (ático o por encima de la instalación planificada la ubicación y el conducto y el cableado existentes.

ANTES DE INSTALAR

Apague la fuente de alimentación. Revise todas las precauciones de seguridad.

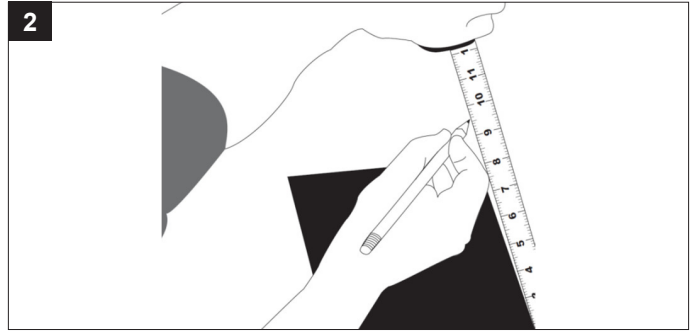


1. Retire el ventilador existente.

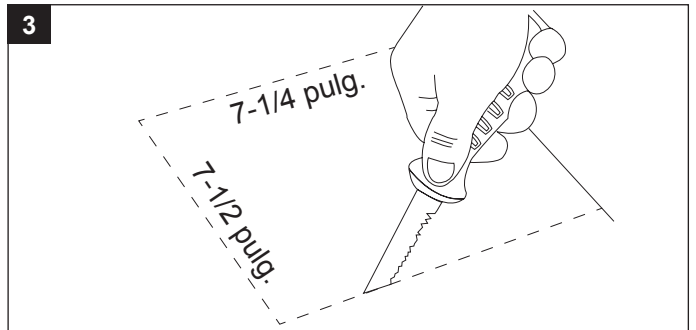


INSTRUCCIONES DE MONTAJE DE LA CONSTRUCCIÓN EXISTENTE

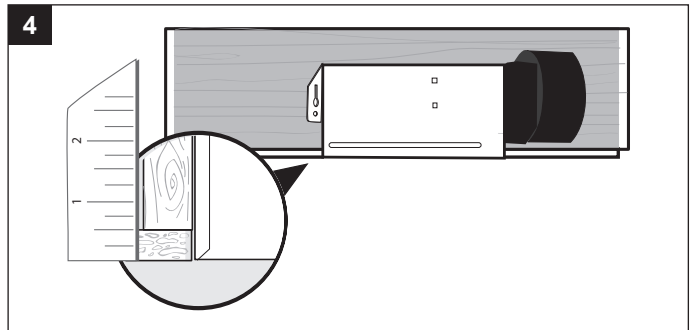
2. Mida la abertura para asegurar que es lo suficientemente grande como para acomodar la nueva carcasa del ventilador (A) (7-1 / 2 pulgadas x 7-1 / 4 pulgadas).



3. Si este ventilador no está reemplazando un ventilador viejo, asegúrese de para cortar una abertura de 7-1 / 2 pulg. X 7-1 / 4 pulg. ventilador (A).

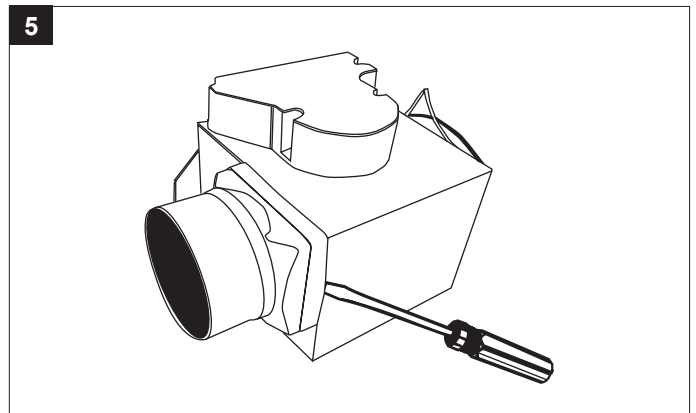


4. Coloque la carcasa del ventilador junto a una viga del techo o un perno de pared. La carcasa del ventilador debe estar nivelada y perpendicular a la viga o perno. Permitir el espesor de la tabla de techo utilizado en su aplicación. NO montar enrasado a la viga. La parte inferior de la carcasa del ventilador debe estar alineada con la placa del techo.



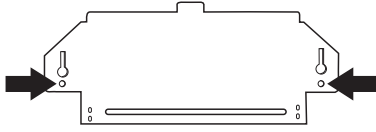
5. Antes de montar la carcasa del ventilador en la vigueta, retire el conector del conducto de plástico para acceso al orificio de montaje en la carcasa del ventilador.

Retire el conector del conducto insertando un destornillador de cabeza plana entre el plástico y el metal de la carcasa del ventilador, luego GIRE el motor conector desconectado.



INSTRUCCIONES DE MONTAJE DE LA CONSTRUCCIÓN EXISTENTE

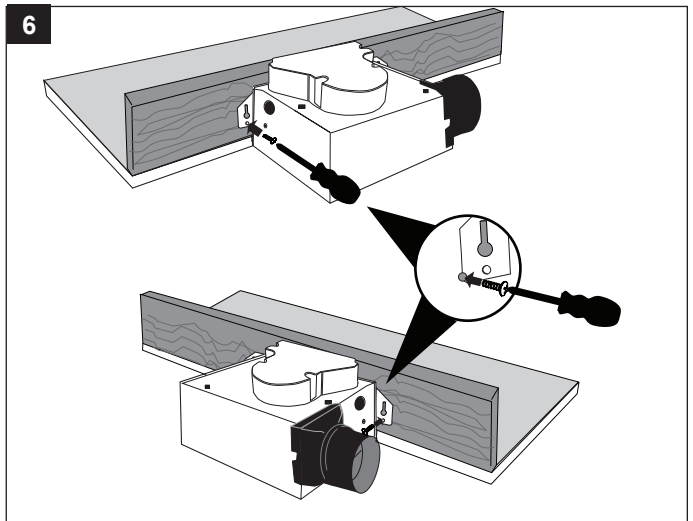
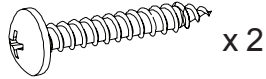
6. Monte la carcasa del ventilador a la viga o al perno usando tornillos de madera largos (AA) donde se indican mediante flechas fuera de la carcasa del ventilador.



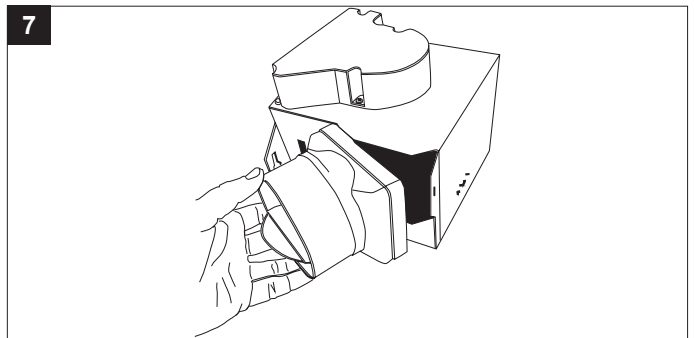
Aditamentos utilizados

AA

Tornillo de
madera largo



7. Vuelva a colocar el conector del conducto enganchando el conector en un lado de la abertura de brida metálica en la carcasa del ventilador y presionando hacia abajo en el otro lado para encajar el conector en su lugar. Asegúrese de que las cuatro bridas metálicas de la carcasa del ventilador están dentro del conector del conducto de plástico cuando se sustituye.



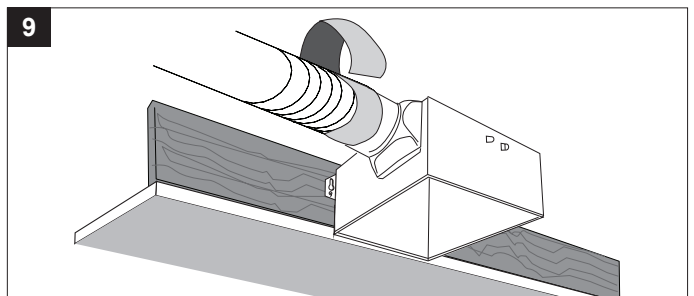
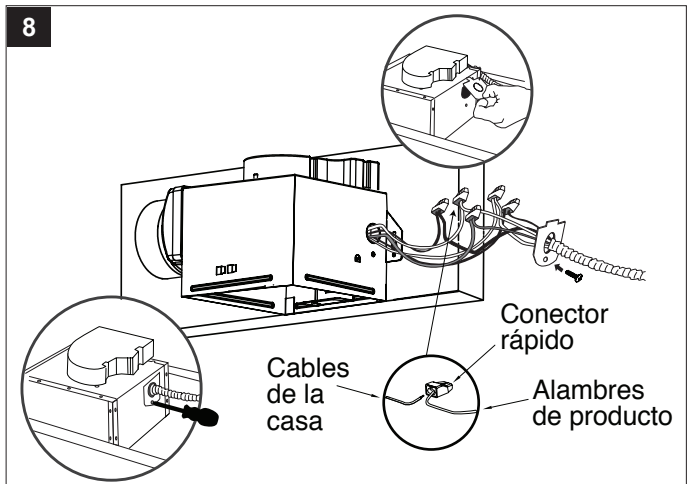
8. Tire de los cables de la casa a través del orificio de la tapa de la caja de alambre. Utilizando un conector rápido, asegure el cableado de la casa de 120 V AC desde el interruptor de pared al ventilador como se muestra en el diagrama de cableado en la página 5. 14 AWB es el conductor más pequeño que se debe usar para el cableado del circuito derivado. Consulte los diagramas de cableado para obtener detalles en la página 5.

Presione con cuidado los cables de conexión en la caja de la caja de conexiones. Vuelva a colocar la cubierta de la caja de cableado.

Precaución: Si sus cables eléctricos no coinciden con los colores enumerados, debe determinar qué representa cada cable de la casa antes de conectarse. Usted puede necesitar consultar a un contratista eléctrico para determinar con seguridad.

9. Instale un conducto circular de 4 pulgadas (no incluido) y asegúrelo con cinta adhesiva o abrazaderas (niincluido).

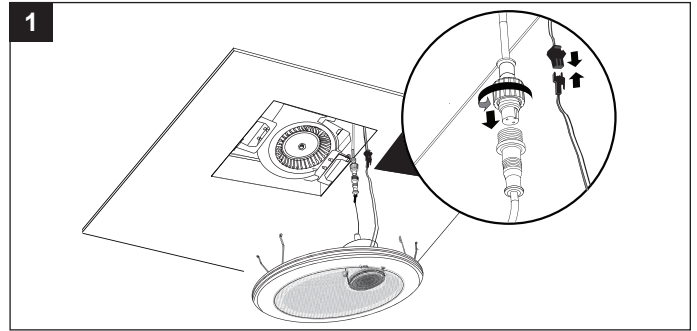
Termine el trabajo del techo. El orificio del techo debe estar alineado con el borde de la carcasa del ventilador.



INSTALACIÓN DE LA PARRILLA DEL VENTILADOR DE BLUETOOTH®

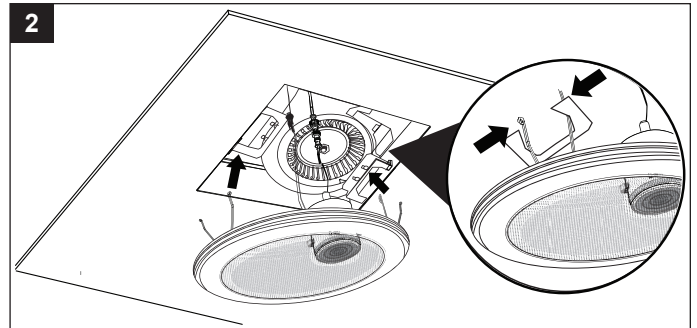
La carcasa debe instalarse al ras con la placa de techo o el muelle de montaje de la rejilla no será lo suficientemente largo para insertar en las ranuras dentro de la carcasa del ventilador.

1. Una los conectores para el altavoz y el adaptador de corriente BLUETOOTH®.



2. Conecte la rejilla presionando los resortes de montaje e inserte en ranuras rectangulares estrechas en la carcasa del ventilador.

Encienda la fuente de alimentación.

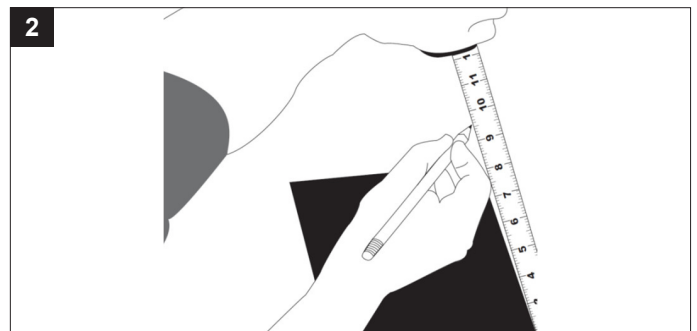


INSTRUCCIONES DE MONTAJE DE CONSTRUCCIÓN EXISTENTES – ESPACIO DEL ÁTICO NO ACCESIBLE

1. Retire el ventilador existente.

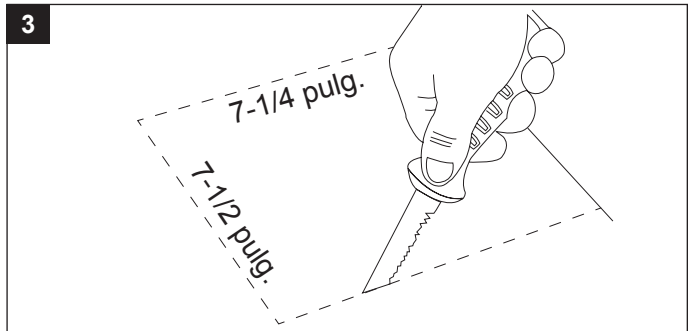


Mida la abertura para asegurar que es lo suficientemente grande como para acomodar la nueva carcasa del ventilador (A) (7-1 / 2 pulgadas x 7-1 / 4 pulgadas).



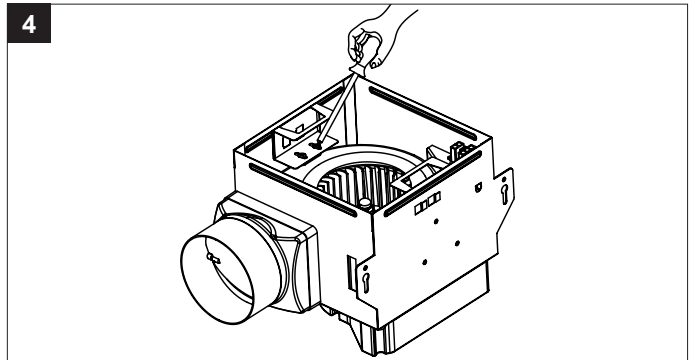
INSTRUCCIONES DE MONTAJE DE CONSTRUCCIÓN EXISTENTES – ESPACIO DEL ÁTICO NO ACCESIBLE

Si este ventilador no está reemplazando un ventilador viejo, asegúrese de para cortar una abertura de 7-1 / 2 pulg. X 7-1 / 4 pulg. ventilador (A).



Retire el soporte de montaje de la parrilla desatornillando dos tornillos en cada soporte.

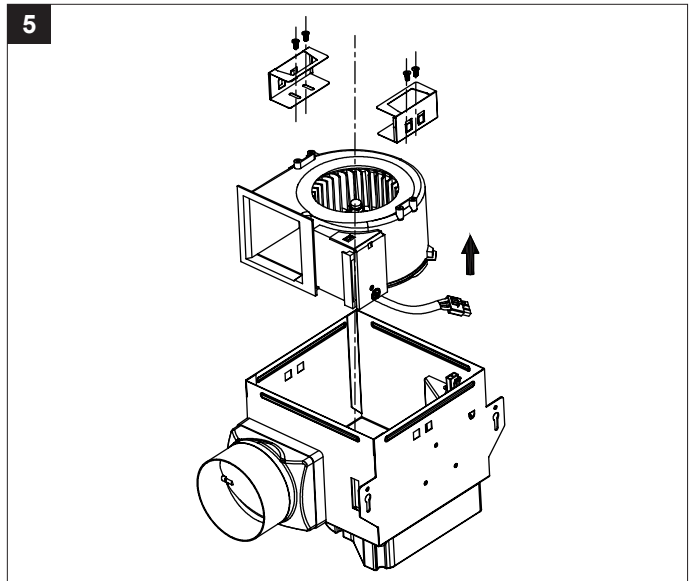
NOTA: Guarde los tornillos para volver a instalar el ventilador soportes de montaje del motor y de la parrilla.



Con el tornillo retirado, deslice los soportes hacia la izquierda y luego retire la carcasa.

Retire el enchufe del ventilador de tres patas de la carcasa.

Con los soportes de montaje de la rejilla retirados, tire de la unidad de ventilador negro directamente de la carcasa metálica.



INSTRUCCIONES DE MONTAJE DE CONSTRUCCIÓN EXISTENTES – ESPACIO DEL ÁTICO NO ACCESIBLE

Tire de los cables de la casa a través del orificio de la tapa de la caja de alambre. Utilizando un conector rápido, asegure el cableado de la casa de 120 V AC desde el interruptor de pared al ventilador como se muestra en el diagrama de cableado en la página 5. 14 AWB es el conductor más pequeño que se debe usar para el cableado del circuito derivado. Consulte los diagramas de cableado para obtener detalles en la página 5.

Presione con cuidado los cables de conexión en la caja de la caja de conexiones. Vuelva a colocar la cubierta de la caja de cableado.

Precaución: Si sus cables eléctricos no coinciden con los colores enumerados, debe determinar qué representa cada cable de la casa antes de conectarse. Usted puede necesitar consultar a un contratista eléctrico para determinar con seguridad.

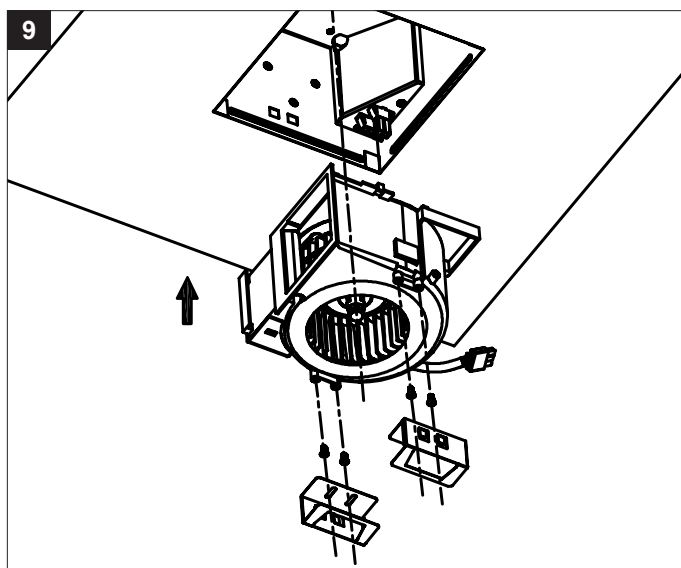
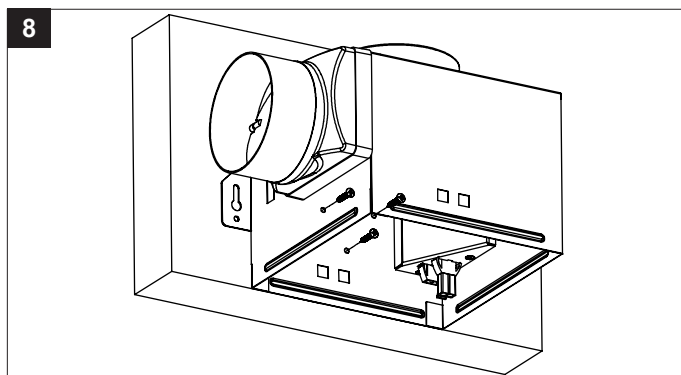
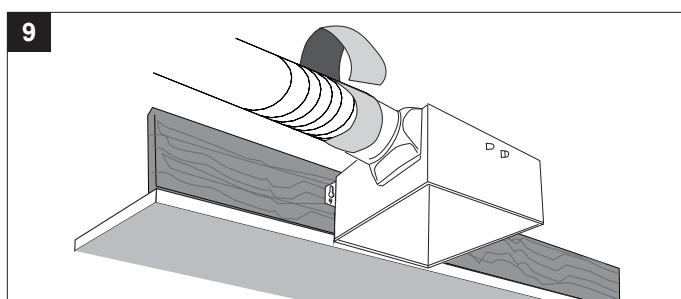
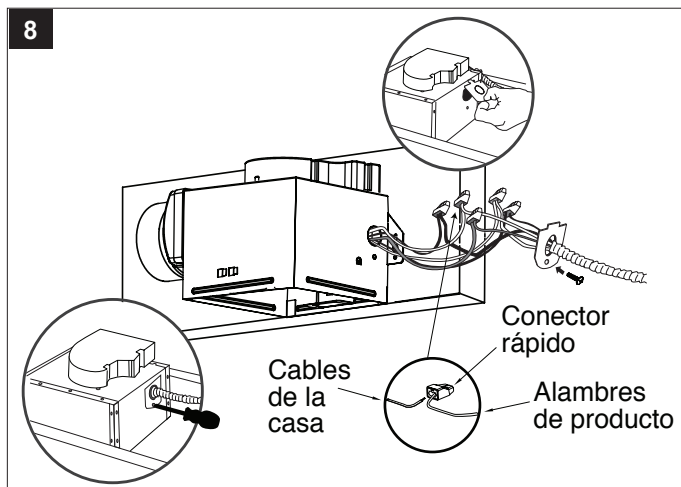
Instale un conducto circular de 4 pulgadas (no incluido) y asegúrelo con cinta adhesiva o abrazaderas (no incluidas).

Termine el trabajo del techo. El orificio del techo debe estar alineado con el borde de la carcasa del ventilador.

8. Con el cableado y el conducto conectados, inserte la carcasa del ventilador en el orificio del techo. Monte la carcasa a la viga con tres tornillos de madera a través de los agujeros en el lado de la carcasa del ventilador.

La carcasa debe instalarse al ras con la placa de techo o el resorte de montaje de la rejilla no será lo suficientemente largo para insertar en las ranuras dentro de la carcasa del ventilador.

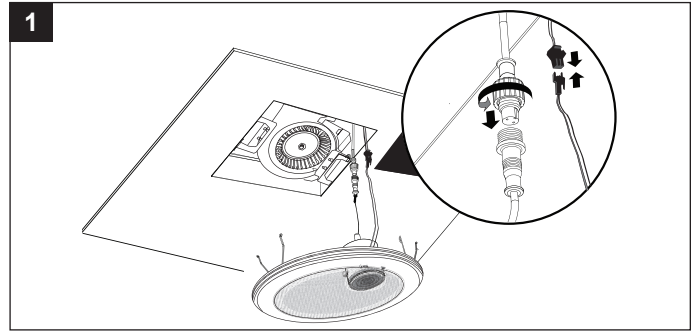
9. Vuelva a colocar el ventilador en la carcasa, alineándolo con la abertura del conducto en la carcasa. Vuelva a colocar los soportes de montaje de la parrilla y asegúrelos con los tornillos. Enchufe el ventilador de nuevo en la carcasa.



INSTALACIÓN DE LA PARRILLA DEL VENTILADOR DE BLUETOOTH®

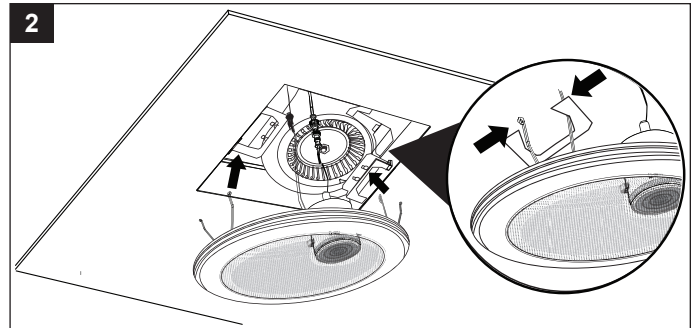
La carcasa debe instalarse al ras con la placa de techo o el muelle de montaje de la rejilla no será lo suficientemente largo para insertar en las ranuras dentro de la carcasa del ventilador.

1. Una los conectores para el altavoz y el adaptador de corriente BLUETOOTH®.



2. Conecte la rejilla presionando los resortes de montaje e inserte en ranuras rectangulares estrechas en la carcasa del ventilador.

Encienda la fuente de alimentación.



EMPAREJANDO SU DISPOSITIVO BLUETOOTH® AL ALTAVOZ

1. Encienda el ventilador de baño si usa un interruptor, o encienda la LUZ si usa dos interruptores.
2. Para reproducir sus archivos de música personales, necesita un dispositivo inalámbrico BLUETOOTH®.
3. Ajuste su dispositivo en un volumen de gama media antes de conectarlo al altavoz.
4. Siga las instrucciones que vienen con su dispositivo BLUETOOTH® para que sea detectable o para configurarlo para buscar otros accesorios de BLUETOOTH®. Esto puede implicar la introducción de una clave de acceso o PIN (número de identificación personal).
5. En la pantalla de inicio, seleccione Configuración > BLUETOOTH®, el dispositivo buscará el altavoz de HomeWerks®.

Nota: Si bien el dispositivo puede mantener varios registros de sincronización, sólo puede conectarse a un accesorio a la vez. Esto evita que el dispositivo envíe los datos al accesorio incorrecto de BLUETOOTH®.

6. Seleccione el altavoz HomeWerks® y, a continuación, introduzca una clave de acceso o PIN (0000) si se le solicita.
7. Cuando el emparejamiento esté completo, puede utilizar el altavoz BLUETOOTH® para reproducir audio con su dispositivo.
8. El ajuste óptimo de volumen para el altavoz BLUETOOTH® es 70% o inferior. Los ajustes superiores al 70% pueden causar distorsión de sonido.

CUIDADO Y MANTENIMIENTO

Consulte la información de seguridad antes de proceder. El mantenimiento de rutina se debe hacer por lo menos una vez al año.

- Nunca utilice solventes, diluyentes o productos químicos agresivos para limpiar el ventilador.
- No permita que el agua entre en el motor.
- No sumerja las piezas de metal en el agua.
- No sumerja las piezas de resina en el agua por encima de 140 grados Fahrenheit.
- No sumerja BLUETOOTH® altavoz en el agua

SOLUCIÓN DE PROBLEMAS

PROBLEMA	CAUSA POSIBLE	ACCIÓN CORRECTIVA
El ventilador hace más ruido de lo que debería.	CFM demasiado grande	Asegúrese de que la calificación CFM del ventilador coincide con el tamaño de su habitación.
	Amortiguador no funciona correctamente o está dañado	Compruebe amortiguador para asegurarse de que se está abriendo y cerrando correctamente. Si el amortiguador se ha dañado, por favor llame a Servicio al Cliente.
	Doble en el conducto demasiado cerca de descarga del ventilador	Asegúrese de que usted no tiene ningún doblez en cerca del conducto de 18 pulgadas a la descarga del ventilador.
	Descarga del ventilador reducida para que quepa más pequeño conducto	Use el tamaño recomendado conductos para reducir el ruido del ventilador.
	Fan cuerpo no está bien conectado	Asegúrese de que el ventilador está bien conectado a las vigas del techo.
El ventilador no es limpia de la habitación	La ingesta insuficiente flujo de aire dentro de la sala	Asegúrese de una puerta o ventana está entreabierta o abierta para permitir el flujo de aire. El ventilador no es capaz de extraer el aire de la habitación sin flujo de aire suficiente para aprovechar.
	Insuficiente CFM	Asegúrese de que la calificación CFM del ventilador coincide con los requisitos para el tamaño de su habitación. NOTA: El uso de un tejido no es un método exacto para determinar si el ventilador está funcionando correctamente. Si el ventilador elimina el vapor de la habitación dentro de unos 15 minutos desde la finalización de la ducha, el ventilador está funcionando correctamente.
No se puede encontrar TASAS DE CASA para el emparejamiento	La luz no está encendida	Enciende la luz.

FAN – GARANTÍA LIMITADA DE 3 AÑOS

Si este producto falla debido a un defecto en el material o la mano de obra en cualquier momento durante los primeros TRES años de poseerlo, el fabricante lo reemplazará sin cargos y con el franqueo pagado a su discreción. Para obtener información sobre el reemplazo, póngase en contacto con el Servicio al Cliente (1-877-319-3757) o visite nuestro sitio Web, www.homewerksww.com. Esta garantía no cubre productos que hayan sufrido abusos, modificaciones, daños, uso indebido, cortes o desgaste. Esta garantía no cubre el uso con fines comerciales. Use solo piezas de repuesto genuinas con garantía Homewerks para reparar el ventilador. La utilización de piezas de repuesto no genuinas anulará la garantía. El fabricante RECHAZA todas las demás garantías expresas o implícitas, incluyendo todas las garantías de comerciabilidad e idoneidad para un fin en especial. Debido a que algunos estados no permiten exclusiones o limitaciones en una garantía implícita, las exclusiones y limitaciones anteriores pueden no aplicarse. Esta garantía le otorga derechos legales específicos, pero podría tener también otros derechos que varían según el estado.

Esta garantía se limita solo al reemplazo de piezas defectuosas. Quedan excluidos los cargos y/o daños por mano de obra incurridos durante la instalación, reparación o reemplazo, además de los daños incidentales o resultantes relacionados con estos. Cualquier daño a este producto como resultado de negligencia, uso indebido, accidente, instalación inadecuada o cualquier otro uso distinto al descrito en el presente ANULARÁ ESTA GARANTÍA.

Los costos de envío por cualquier devolución del producto como parte de una reclamación de garantía estarán a cargo del cliente.

Las preguntas relacionadas con reclamos de la garantía pueden realizarse al 1-877-319-3757, de 8 a. m. a 5 p. m., hora central estándar, de lunes a viernes.

BLUETOOTH® ALTAVOZ – GARANTÍA LIMITADA DE 1 AÑO

Si el altavoz BLUETOOTH® falla debido a un defecto en materiales o mano de obra en cualquier momento durante el primer año de propiedad, el fabricante lo reemplazará sin cargos y con el franqueo pagado a su discreción. Para obtener información sobre el reemplazo, póngase en contacto con el Servicio al Cliente (1-877-319-3757) o visite nuestro sitio Web, www.homewerksww.com. Esta garantía no cubre productos que hayan sufrido abusos, modificaciones, daños, uso indebido, cortes o desgaste. Esta garantía no cubre el uso con fines comerciales. Use solo piezas de repuesto genuinas con garantía Homewerks para reparar el ventilador. La utilización de piezas de repuesto no genuinas anulará la garantía. El fabricante RECHAZA todas las demás garantías expresas o implícitas, incluyendo todas las garantías de comerciabilidad e idoneidad para un fin en especial. Debido a que algunos estados no permiten exclusiones o limitaciones en una garantía implícita, las exclusiones y limitaciones anteriores pueden no aplicarse. Esta garantía le otorga derechos legales específicos, pero podría tener también otros derechos que varían según el estado.

Esta garantía se limita solo al reemplazo de piezas defectuosas. Quedan excluidos los cargos y/o daños por mano de obra incurridos durante la instalación, reparación o reemplazo, además de los daños incidentales o resultantes relacionados con estos. Cualquier daño a este producto como resultado de negligencia, uso indebido, accidente, instalación inadecuada o cualquier otro uso distinto al descrito en el presente ANULARÁ ESTA GARANTÍA.

Los costos de envío por cualquier devolución del producto como parte de una reclamación de garantía estarán a cargo del cliente.

Las preguntas relacionadas con reclamos de la garantía pueden realizarse al 1-877-319-3757, de 8 a. m. a 5 p. m., hora central estándar, de lunes a viernes.