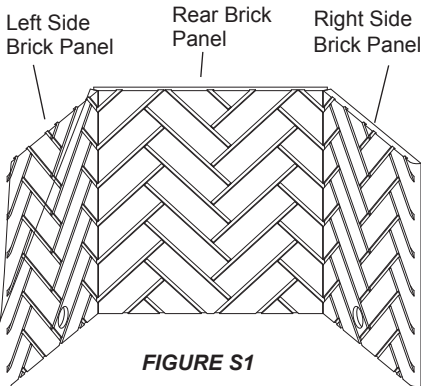


IMPORTANT SUPPLEMENTAL INSTRUCTIONS

UNPACKING THE REFRACTORY BRICK LINER

The Refractory Brick liners are found inside the fireplace opening.

1. Remove Refractory Brick panels from the fireplace opening and un-wrap the plastic packing from each panel.
2. Arrange panels on top of packing and identify each piece in order of assembly (see Figure S1).
3. Check all items for any shipping damage. If damaged, contact Sure Heat Manufacturing's Customer Service department to obtain replacement parts at (800) 229-5647. Be sure to have your model number and part number ready when you call.
6. Refer to parts list for reference.

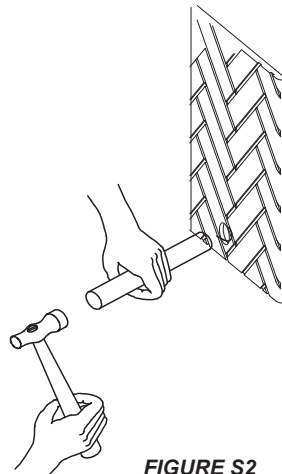


INSTALLING THE REFRACTORY

1. Locate round knockout pattern at bottom of right side brick panel.
2. Place end of a 1" diameter wood dowel or metal pipe inside knockout area and punch out entire recessed area. (see Figure S2).

NOTE: Clean bottom hearth pan of all debris before installing bottom hearth brick to prevent obstruction.

3. Install refractory panels in order starting with rear panel, and then both side panels.
4. Replace 2 side brick retainers using 4 hex screws removed previously.



PARTS LIST

ITEM	DESCRIPTION	VFBC32A	VFBC36A	VFBC42A
1	Firebrick, Left	23321102	23361102	23421102
2	Firebrick, Middle	23321202	23361202	23421202
3	Firebrick, Right	23361302	23361302	23361302
4	Retainer, Firebrick	(5)1N3616	(5)1N3616	(6)1N3616
5	Retainer, Firebrick Top Ct.	(1)1N3216	(1)1N3216	(2)1N3216
6	Screw, Hex Head			