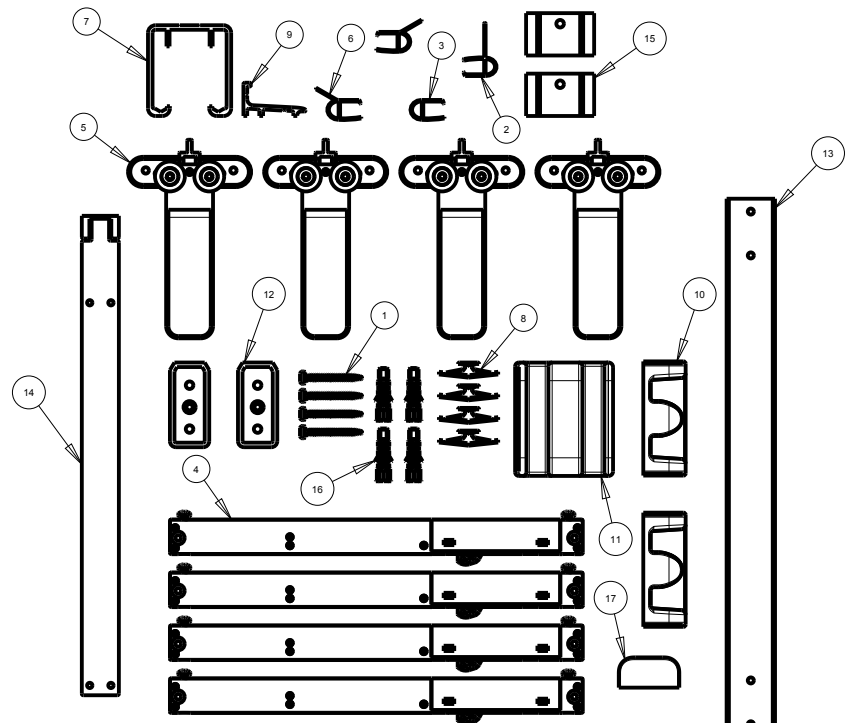


SHOWER DOOR

SLIDING MOD STYLE SHOWER TRACK 48-60"



| ID | DESCRIPTION | QTY | MATERIAL |
|----|---------------------------------|-----|---------------|
| 1 | #8-18 X 1.5" LONG PHILLIPS HEAD | 4 | SS |
| 2 | 10mm Blade Seal | 1 | PVC |
| 3 | 10mm Bumper Seal | 1 | PVC |
| 4 | 10mm Damper | 4 | ASSEMBLY |
| 5 | 10mm Door Roller Assembly | 4 | ASSEMBLY |
| 6 | 10mm Outer Angle Blade Seal | 2 | PVC |
| 7 | 10mm Top Track | 1 | AL6463 |
| 8 | Acrylic Wall Anchor | 4 | NYLON |
| 9 | Bottom Track | 1 | AL6463 |
| 10 | Bumper | 2 | PVC |
| 11 | Center Divider | 1 | NYLON |
| 12 | Collar Bracket | 2 | ZINC_DIE_CAST |
| 13 | Collar Bracket Template | 1 | AL6063 |
| 14 | Damper Drilling Template | 1 | NYLON |
| 15 | Retention Plate | 2 | NYLON |
| 16 | Tile Wall Anchors | 4 | PVC |
| 17 | Trim Cap | 1 | PVC |

MATERIAL: Anodized Aluminum Extrusions (Track) and Zinc Die Cast (Mounting Brackets).
Bronze Finish is Powder Coated.

INSTALLATION: Detailed Instructions, Templates and Hardware Included for Easy Installation.

UNIQUE FEATURE: Constructed of Corrosion Resistant Anodized Aluminum.
48" - 60" Track Assembly Kit
Fits 48" Shower Doors with an Opening min/max of 43 3/8" - 47 3/8" (110cm-120cm),
with a Height of 71 1/2" (182cm).
Fits 60" Shower Doors with an Opening min/max of 50 1/8" - 58 1/2" (127cm-149cm),
with a Height of 71 1/2" (182cm).

NOTE: Height of 74" (188cm) Required for installation
Compatible with all 3/8" (10mm) Delta Shower Glass
Wall Studs located over threshold Required for Installation

WARRANTY: 5 Year Limited Warranty.

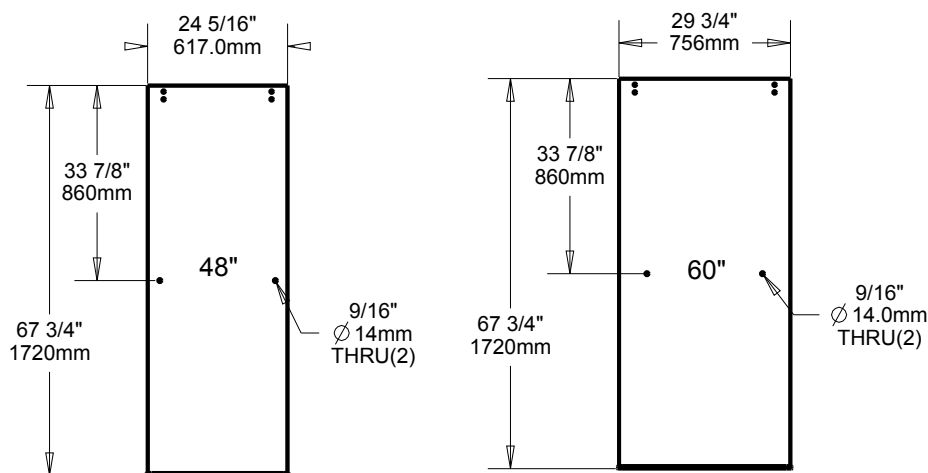


see what Delta can do

TECHNICAL DATA

Shower Door

3/8"(10mm) SLIDING SHOWER 48 & 60" GLASS PANELS



MATERIALS: 3/8" (10mm) Tempered Glass Panels.

INSTALLATION: Detailed Instructions and Hardware Included in Track Kit (Sold separately) for Easy Installation.

UNIQUE FEATURES: Spot Guard Easy Clean Coating.

Available in Clear, Rain and Niebla.
Includes Pre-Installed Clear Bottom Glazing.

MOD:

48": Fits Doors with an Opening min/max of 43 3/8" - 47 3/8" (110cm - 120cm)
60": Fits Doors with an Opening min/max of 50 1/8" - 58 1/2" (127cm - 149cm)

NOTE: Not compatible with Delta Traditional or Delta Contemporary Track Kits

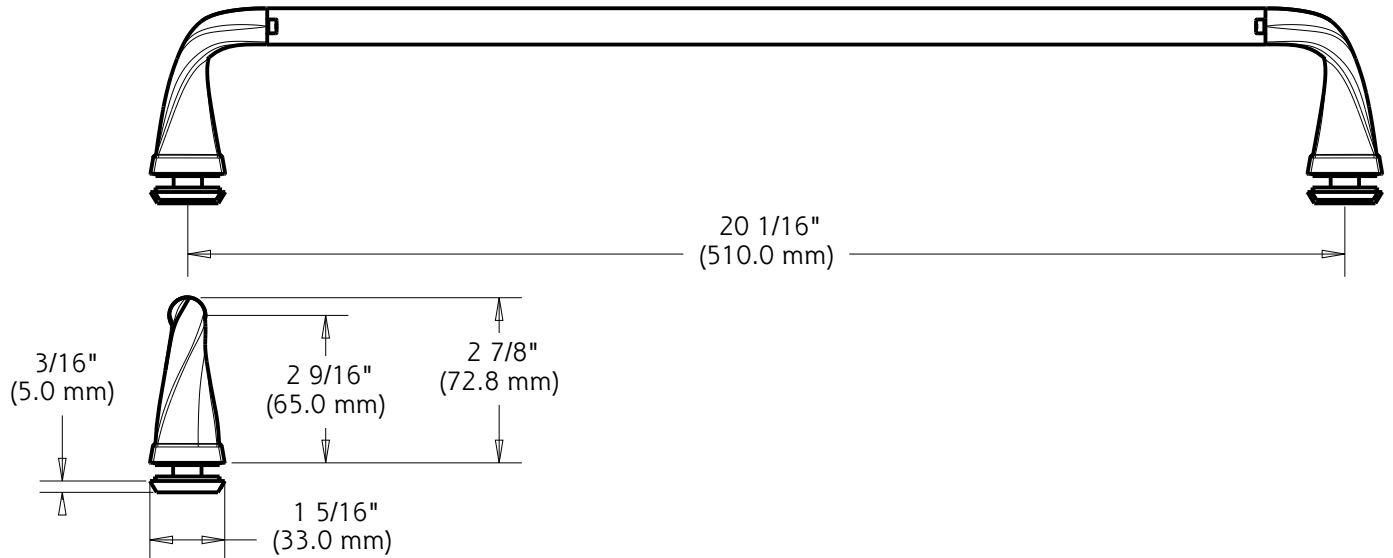
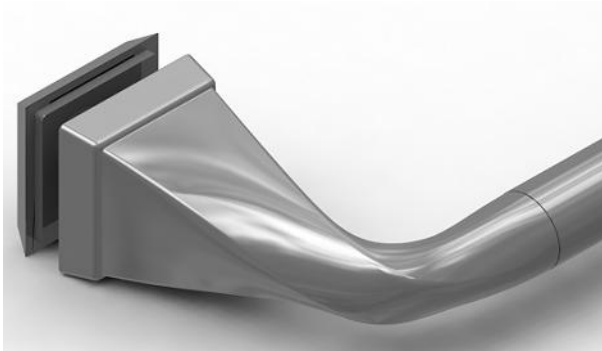
WARRANTY: 5 Year Limited Warranty.



see what Delta can do

Shower Door

EVERLY™ HANDLE



MATERIALS: Zinc Posts for all
 Aluminum Bar: Brushed Nickel and Oil Rubbed Bronze.
 Stainless Steel Bar: Polished Chrome.

INSTALLATION: Detailed Instructions and Hardware Included for Easy Installation.

UNIQUE FEATURE: Coordinates with Delta® Faucets and Bath Hardware.
 Compatible with All Delta® Sliding Bathtub or Shower Doors.

WARRANTY: 5 Year Limited Warranty.



see what Delta can do