

**newair**<sup>®</sup>

AH-400

---

# Oil Filled Personal Heater



## OWNERS MANUAL

*Read and save these instructions.*



## A Name You Can Trust

Trust has to be earned and we will earn yours. Customer happiness is the focus of our business.

From the factory to the warehouse, from the sales floor to your home, the whole NewAir family promises to provide you with innovative products, exceptional service, and support when you need it the most.

### Count on NewAir.

As a proud NewAir owner, welcome to our family. There are no robots here, real people shipped your product and real people are here to help you.

Thank you for your purchase and remember NewAir, A Name You Can Trust.

Call us today at 855-963-9247  
Or email [support@newair.com](mailto:support@newair.com)

For future reference, we recommend you attach a copy of your sales receipt here and record the following information. You will need this information if it becomes necessary to contact the manufacturer for service inquiries.

Date of Purchase: \_\_\_\_\_

Serial Number: \_\_\_\_\_

Model Number: \_\_\_\_\_



Connect with us online.

<http://www.NewAir.com>

# READ AND SAVE THESE INSTRUCTIONS.

## TABLE OF CONTENTS

Safety Information & Warnings .....	3
Unpacking & Set-Up Instructions .....	5
Operating Instructions .....	5
Cleaning & Storage.....	6
Troubleshooting.....	6
Specifications .....	6
Limited Manufacturer's Warranty .....	7

## SAFETY INFORMATION & WARNINGS



When using any electrical appliance, basic safety precautions must be followed in order to reduce the risk of fire, electrical shock and/or injury to persons or property. Be sure to read all instructions before using this appliance and observe the following safety tips:

- This heater is hot when in use. To avoid burns, do not let bare skin touch the hot surface. Always use the handle when moving this heater. Keep combustible materials such as furniture, pillows, bedding, papers, clothes and curtains at least 3 feet (0.9 m) from the front of the heater and keep them away from the sides and rear.
- Extreme caution is necessary when any heater is used by or near children or invalids, and whenever the heater is left operating and unattended.
- Always unplug the heater when not in use.
- Do not operate the heater with a damaged cord or plug, if the heater malfunctions, or has been dropped or damaged in any manner. Return heater to an authorized service facility for examination, electrical or mechanical adjustment, or repair.
- Do not use the heater outdoors.
- This heater is not intended for use in bathroom, laundry areas and similar humid indoor locations. Never locate heater where it may fall into a bathtub or other water container.
- Do not run cord under carpeting. Do not cover cord with throw rugs, runners or similar items. Arrange cord away from high-traffic areas where it can be tripped over.

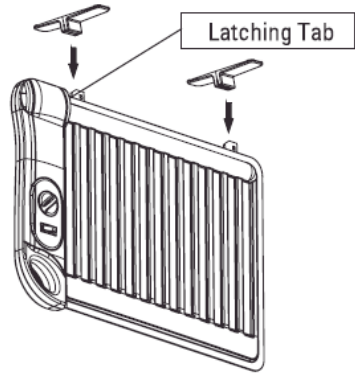
## SAFETY INFORMATION & WARNINGS

- **CAUTION:** This appliance has a polarized plug (one blade is wider than the other). To reduce the risk of electric shock, this plug is intended to fit in a polarized outlet only. If the plug does not fit fully in the outlet, reverse the plug. If it still does not fit, contact a qualified electrician. Do not attempt to defeat this safety feature.
- This heater draws 12.5 A during operation. To prevent overloading a circuit, do not plug the heater into a circuit that already has other appliances working.
- **CAUTION:** it is normal for the plug to feel warm to the touch; however, a loose fit between the AC outlet (receptacle) and plug may cause overheating and distortion of the plug. Contact a qualified electrician to replace a loose or worn outlet.
- To disconnect the heater, first turn controls to the OFF position, then remove plug from the outlet. Never pull by the cord.
- No object should be inserted into any part of the heater at any time.
- To prevent a possible fire, do not block air intakes or exhaust in any manner. Do not use on soft surfaces, like a bed, where openings may become blocked.
- A heater has hot and arcing parts inside. Do not use it in the areas where gasoline, paint, or flammable liquids are used or stored.
- Use this heater only as described in this manual. Any other use not recommended by the manufacturer may cause fire, electric shock or injury to persons.
- **CAUTION:** Avoid the use of an extension cord because the extension cord may overheat and cause a risk of fire. However, if you have to use an extension cord, the cord must be No. 14 AWG minimum size and rated not less than 1875 W.
- The output of this heater may vary and its temperature may become intense enough to burn exposed skin. Use of this heater is not recommended for persons with reduced sensitivity to heat or an inability to react to avoid burns.
- Before using the unit, check if the voltage indicated corresponds with the intended outlet (120V).

## UNPACKING & SET-UP INSTRUCTIONS

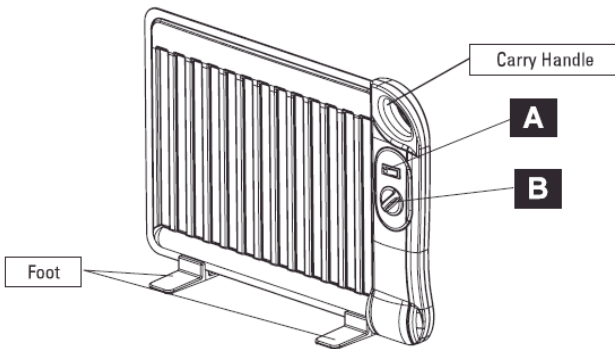
Unpack your heater and remove the feet assemblies from the package. Refer to Fig. 1:

1. Make sure the heater is unplugged and in the "OFF" position.
2. Turn the heater upside down.
3. Position the groove of the feet at the heater's "latching tab" and press feet securely onto tabs.
4. Turn the heater upright.



Your heater is now ready for use.

## OPERATING INSTRUCTIONS



### CONTROL PANEL FUNCTIONS

- A. Power switch
- B. Thermostat control

1. Place the heater on a firm level surface free from obstructions, and at least 3 ft. away from any wall and any other objects such as furniture, curtains, plants or combustible material.
2. With the power switch (A) in the OFF position, plug the heater into a grounded 120V outlet.
3. Turn the heater on by turning the power switch (A).
4. Turn the thermostat Control (B) to your desired setting from MIN to MAX.

A Name You Can Trust

## CLEANING & STORAGE

It is recommended that the heater be cleaned at least once during the operating season in order to provide the optimum level of performance. Always turn the power switch off and unplug the heater before cleaning. Be sure to save the box for off-season storage.

1. Turn the heater off, unplug it and wait for the heater to cool down.
2. Use a dry cloth to clean only external surfaces of the heater.
3. Do not use any cleaning agents or detergents.
4. Never immerse the heater in water.
5. Pack the heater in the original carton and store it in a cool and dry place.

## TROUBLESHOOTING

If your heater fails to operate, please follow these instructions:

- Ensure that our circuit breaker or fuse is working properly.
- Be sure the heater is plugged in and that the electrical outlet is working properly.
- Check for any obstruction. If you find any obstruction, turn the heater off. Unplug the heater and wait for a few minutes for it to cool down. Carefully remove the obstruction. Plug the heater in and turn it on again by referring to the Operating Instructions.

## SPECIFICATIONS

<b>MODEL NO.</b>	AH-400
<b>VOLTAGE:</b>	120V
<b>CURRENT:</b>	3.3A
<b>FREQUENCY:</b>	60Hz
<b>POWER CONSUMPTION:</b>	400W
<b>HEAT OUTPUT:</b>	1365 BTUs

## LIMITED MANUFACTURER'S WARRANTY

This appliance is covered by a limited manufacturer's warranty. For one year from the original date of purchase, the manufacturer will repair or replace any parts of this appliance that prove to be defective in materials and workmanship, provided the appliance has been used under normal operating conditions as intended by the manufacturer.

### **Warranty Terms:**

During the first year, any components of this appliance found to be defective due to materials or workmanship will be repaired or replaced, at the manufacturer's discretion, at no charge to the original purchaser. The purchaser will be responsible for any removal or transportation costs.

### **Warranty Exclusions:**

The warranty will not apply if damage is caused by any of the following:

- Power failure
- Damage in transit or when moving the appliance
- Improper power supply such as low voltage, defective household wiring or inadequate fuses
- Accident, alteration, misuse or abuse of the appliance such as using non-approved accessories, inadequate air circulation in the room or abnormal operating conditions (extreme temperatures)
- Use in commercial or industrial applications
- Fire, water damage, theft, war, riot, hostility or acts of God such as hurricanes, floods, etc.
- Use of force or damage caused by external influences
- Partially or completely dismantled appliances
- Excess wear and tear by the user

### **Obtaining Service:**

When making a warranty claim, please have the original bill of purchase with purchase date available. Once confirmed that your appliance is eligible for warranty service, all repairs will be performed by a NewAir™ authorized repair facility. The purchaser will be responsible for any removal or transportation costs. Replacement parts and/or units will be new, re-manufactured or refurbished and is subject to the manufacturer's discretion. For technical support and warranty service, please email [support@newairusa.com](mailto:support@newairusa.com).

A Name You Can Trust