



OPERATOR'S MANUAL

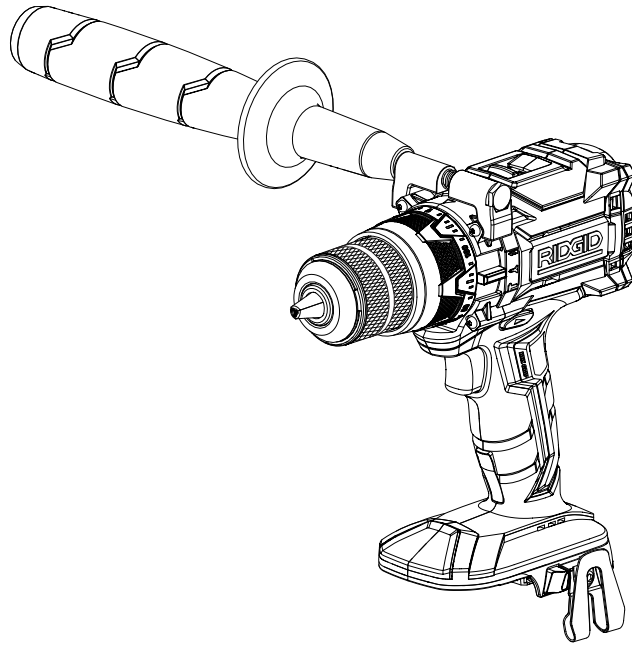
MANUEL D'UTILISATION
MANUAL DEL OPERADOR

18 VOLT 2-SPEED HAMMER DRILL

PERCEUSE À PERCUSSION
2 VITESSES 18 V

TALADRO DE PERCUSIÓN
DE 2 VELOCIDADES DE 18 V

R8611506



To register your RIDGID® product, please visit:
<http://register.RIDGID.com>

Pour enregistrer votre produit de RIDGID®, s'il vous plaît la visite :
<http://register.RIDGID.com>

Para registrar su producto de RIDGID®, por favor visita:
<http://register.RIDGID.com>

INCLUDES: Hammer Drill, Auxiliary Handle, Operator's Manual

TABLE OF CONTENTS

- General Power Tool Safety Warnings2-3
- Hammer Drill Safety Warnings3-4
- Symbols.....5
- Features.....5
- Assembly.....6
- Operation.....6-9
- Maintenance.....9
- Illustrations10-12
- Parts Ordering/ServiceBack page

WARNING:

To reduce the risk of injury, the user must read and understand the operator's manual before using this product.

**SAVE THIS MANUAL FOR
FUTURE REFERENCE**

INCLUT: Perceuse à percussion, poignée auxiliaire, manuel d'utilisation

TABLE DES MATIÈRES

- Avertissements de sécurité générales relatives aux outils électriques2-3
- Avertissements de sécurité relatifs perceuse à percussion4
- Symboles.....5
- Caractéristiques5
- Assemblage.....6
- Utilisation.....6-9
- Entretien9
- Illustrations10-12
- Commande de pièces/dépannagePage arrière

AVERTISSEMENT :

Pour réduire les risques de blessures, l'utilisateur doit lire et veiller à bien comprendre le manuel d'utilisation avant d'utiliser ce produit.

**CONSERVER CE MANUEL
POUR FUTURE RÉFÉRENCE**

INCLUYE: Taladro de percusión, mango auxiliar, manual del operador

ÍNDICE DE CONTENIDO

- Advertencias de seguridad generales para la herramienta eléctrica2-3
- Advertencias de seguridad de taladro de percusión4
- Símbolos5
- Características5
- Armado6
- Funcionamiento.....6-9
- Mantenimiento.....9
- Ilustraciones10-12
- Pedidos de repuestos/servicioPág. posterior

ADVERTENCIA:

Para reducir el riesgo de lesiones, el usuario debe leer y comprender el manual del operador antes de usar este producto.

**GUARDE ESTE MANUAL
PARA FUTURAS CONSULTAS**

GENERAL POWER TOOL SAFETY WARNINGS

WARNING

Read all safety warnings, instructions, illustrations and specifications provided with this power tool. Failure to follow all instructions listed below may result in electric shock, fire and/or serious injury.

Save all warnings and instructions for future reference.

The term “power tool” in the warnings refers to your mains-operated (corded) power tool or battery-operated (cordless) power tool.

WORK AREA SAFETY

- **Keep work area clean and well lit.** Cluttered or dark areas invite accidents.
- **Do not operate power tools in explosive atmospheres, such as in the presence of flammable liquids, gases or dust.** Power tools create sparks which may ignite the dust or fumes.
- **Keep children and bystanders away while operating a power tool.** Distractions can cause you to lose control.

ELECTRICAL SAFETY

- **Power tool plugs must match the outlet. Never modify the plug in any way. Do not use any adapter plugs with earthed (grounded) power tools.** Unmodified plugs and matching outlets will reduce risk of electric shock.
- **Avoid body contact with earthed or grounded surfaces, such as pipes, radiators, ranges and refrigerators.** There is an increased risk of electric shock if your body is earthed or grounded.
- **Do not expose power tools to rain or wet conditions.** Water entering a power tool will increase the risk of electric shock.
- **Do not abuse the cord. Never use the cord for carrying, pulling or unplugging the power tool. Keep cord away from heat, oil, sharp edges or moving parts.** Damaged or entangled cords increase the risk of electric shock.
- **When operating a power tool outdoors, use an extension cord suitable for outdoor use.** Use of a cord suitable for outdoor use reduces the risk of electric shock.
- **If operating a power tool in a damp location is unavoidable, use a ground fault circuit interrupter (GFCI) protected supply.** Use of a GFCI reduces the risk of electric shock.
- **Use this product only with batteries and chargers listed in tool/appliance/battery pack/charger correlation supplement 988000-302.**

PERSONAL SAFETY

- **Stay alert, watch what you are doing and use common sense when operating a power tool. Do not use a power tool while you are tired or under the influence of drugs, alcohol or medication.** A moment of inattention while operating power tools may result in serious personal injury.

- **Use personal protective equipment. Always wear eye protection.** Protective equipment such as dust mask, non-skid safety shoes, hard hat, or hearing protection used for appropriate conditions will reduce personal injuries.
- **Prevent unintentional starting. Ensure the switch is in the off-position before connecting to power source and/or battery pack, picking up or carrying the tool.** Carrying power tools with your finger on the switch or energizing power tools that have the switch on invites accidents.
- **Remove any adjusting key or wrench before turning the power tool on.** A wrench or a key left attached to a rotating part of the power tool may result in personal injury.
- **Do not overreach. Keep proper footing and balance at all times.** This enables better control of the power tool in unexpected situations.
- **Dress properly. Do not wear loose clothing or jewelry. Keep your hair, clothing and gloves away from moving parts.** Loose clothes, jewelry or long hair can be caught in moving parts.
- **If devices are provided for the connection of dust extraction and collection facilities, ensure these are connected and properly used.** Use of dust collection can reduce dust-related hazards.
- **Do not let familiarity gained from frequent use of tools allow you to become complacent and ignore tool safety principles.** A careless action can cause severe injury within a fraction of a second.
- **Do not wear loose clothing or jewelry.** Contain long hair. Loose clothes, jewelry, or long hair can be drawn into air vents.
- **Do not use on a ladder or unstable support.** Stable footing on a solid surface enables better control of the power tool in unexpected situations.

POWER TOOL USE AND CARE

- **Do not force the power tool. Use the correct power tool for your application.** The correct power tool will do the job better and safer at the rate for which it was designed.
- **Do not use the power tool if the switch does not turn it on and off.** Any power tool that cannot be controlled with the switch is dangerous and must be repaired.
- **Disconnect the plug from the power source and/or remove the battery pack, if detachable, from the power tool before making any adjustments, changing accessories, or storing power tools.** Such preventive safety measures reduce the risk of starting the power tool accidentally.
- **Store idle power tools out of the reach of children and do not allow persons unfamiliar with the power tool or these instructions to operate the power tool.** Power tools are dangerous in the hands of untrained users.
- **Maintain power tools and accessories. Check for misalignment or binding of moving parts, breakage of parts and any other condition that may affect the power tool's operation. If damaged, have the power**

GENERAL POWER TOOL SAFETY WARNINGS

tool repaired before use. Many accidents are caused by poorly maintained power tools.

- **Keep cutting tools sharp and clean.** Properly maintained cutting tools with sharp cutting edges are less likely to bind and are easier to control.
- **Use the power tool, accessories and tool bits etc. in accordance with these instructions, taking into account the working conditions and the work to be performed.** Use of the power tool for operations different from those intended could result in a hazardous situation.
- **Keep handles and grasping surfaces dry, clean and free from oil and grease.** Slippery handles and grasping surfaces do not allow for safe handling and control of the tool in unexpected situations.

BATTERY TOOL USE AND CARE

- **Recharge only with the charger specified by the manufacturer.** A charger that is suitable for one type of battery pack may create a risk of fire when used with another battery pack.
- **Use power tools only with specifically designated battery packs.** Use of any other battery packs may create a risk of injury and fire.
- **When battery pack is not in use, keep it away from other metal objects, like paper clips, coins, keys, nails, screws or other small metal objects, that can make a connection from one terminal to another.** Shorting the battery terminals together may cause burns or a fire.

- **Under abusive conditions, liquid may be ejected from the battery; avoid contact. If contact accidentally occurs, flush with water. If liquid contacts eyes, additionally seek medical help.** Liquid ejected from the battery may cause irritation or burns.
- **Do not use a battery pack or tool that is damaged or modified.** Damaged or modified batteries may exhibit unpredictable behavior resulting in fire, explosion, or risk of injury.
- **Do not expose a battery pack or tool to fire or excessive temperature.** Exposure to fire or temperature above 265° F may cause explosion.
- **Follow all charging instructions and do not charge the battery pack or tool outside the temperature range specified in the instructions.** Charging improperly or at temperatures outside the specified range may damage the battery and increase the risk of fire.

SERVICE

- **Have your power tool serviced by a qualified repair person using only identical replacement parts.** This will ensure that the safety of the power tool is maintained.
- **Never service damaged battery packs.** Service of battery packs should only be performed by the manufacturer or authorized service providers.

HAMMER DRILL SAFETY WARNINGS

SAFETY INSTRUCTIONS FOR ALL OPERATIONS

- **Wear ear protectors when impact drilling.** Exposure to noise can cause hearing loss.
- **Use the auxiliary handle(s).** Loss of control can cause personal injury.
- **Brace the tool properly before use.** This tool produces a high output torque and without properly bracing the tool during operation loss of control may occur resulting in personal injury.
- **Hold the power tool by insulated gripping surfaces, when performing an operation where the cutting accessory or fasteners may contact hidden wiring.** Cutting accessory contacting a “live” wire may make exposed metal parts of the power tool “live” and could give the operator an electric shock.
- **Know your power tool. Read operator’s manual carefully. Learn its applications and limitations, as well as the specific potential hazards related to this power tool.** Following this rule will reduce the risk of electric shock, fire, or serious injury.

SAFETY INSTRUCTIONS WHEN USING LONG DRILL BITS

- **Never operate at higher speed than the maximum speed rating of the drill bit.** At higher speeds, the bit is likely to bend if allowed to rotate freely without contacting the workpiece, resulting in personal injury.
- **Always start drilling at low speed and with the bit tip in contact with the workpiece.** At higher speeds, the bit is likely to bend if allowed to rotate freely without contacting the workpiece, resulting in personal injury.
- **Apply pressure only in direct line with the bit and do not apply excessive pressure.** Bits can bend causing breakage or loss of control, resulting in personal injury.




HAMMER DRILL SAFETY WARNINGS

ADDITIONAL SAFETY INSTRUCTIONS







- **Always wear eye protection with side shields marked to comply with ANSI Z87.1 when assembling parts, operating the tool, or performing maintenance.** Following this rule will reduce the risk of serious personal injury.
- **Protect your lungs. Wear a face or dust mask if the operation is dusty.** Following this rule will reduce the risk of serious personal injury.
- **Protect your hearing. Wear hearing protection during extended periods of operation.** Following this rule will reduce the risk of serious personal injury.
- **Battery tools do not have to be plugged into an electrical outlet; therefore, they are always in operating condition. Be aware of possible hazards when not using your battery tool or when changing accessories.** Following this rule will reduce the risk of electric shock, fire, or serious personal injury.
- **Do not place battery tools or their batteries near fire or heat.** This will reduce the risk of explosion and possibly injury.
- **Do not crush, drop or damage battery pack. Do not use a battery pack or charger that has been dropped or received a sharp blow.** A damaged battery is subject to explosion. Properly dispose of a dropped or damaged battery immediately.
- **Batteries can explode in the presence of a source of ignition, such as a pilot light.** To reduce the risk of serious personal injury, never use any cordless product in the presence of open flame. An exploded battery can propel debris and chemicals. If exposed, flush with water immediately.
- **Do not charge battery tool in a damp or wet location. Do not use, store, or charge battery packs or products in locations where the temperature is less than 50°F or more than 100°F.** Do not store outside or in vehicles.
- **Under extreme usage or temperature conditions, battery leakage may occur. If liquid comes in contact with your skin, wash immediately with soap and water. If liquid gets into your eyes, flush them with clean water for at least 10 minutes, then seek immediate medical attention.** Following this rule will reduce the risk of serious personal injury.
- **Save these instructions.** Refer to them frequently and use them to instruct others who may use this tool. If you loan someone this tool, loan them these instructions also.

SYMBOLS

The following signal words and meanings are intended to explain the levels of risk associated with this product.

SYMBOL	SIGNAL	MEANING
	DANGER:	Indicates a hazardous situation, which, if not avoided, will result in death or serious injury.
	WARNING:	Indicates a hazardous situation, which, if not avoided, could result in death or serious injury.
	CAUTION:	Indicates a hazardous situation, that, if not avoided, may result in minor or moderate injury.
	NOTICE:	(Without Safety Alert Symbol) Indicates information considered important, but not related to a potential injury (e.g. messages relating to property damage).

Some of the following symbols may be used on this product. Please study them and learn their meaning. Proper interpretation of these symbols will allow you to operate the product better and safer.

SYMBOL	NAME	DESIGNATION/EXPLANATION
	Safety Alert	Indicates a potential personal injury hazard.
	Read Operator's Manual	To reduce the risk of injury, user must read and understand operator's manual before using this product.
	Eye Protection	Always wear eye protection with side shields marked to comply with ANSI Z87.1.
	Wet Conditions Alert	Do not expose to rain or use in damp locations.
	Recycle Symbol	This product uses lithium-ion (Li-ion) batteries. Local, state or federal laws may prohibit disposal of batteries in ordinary trash. Consult your local waste authority for information regarding available recycling and/or disposal options.
V	Volts	Voltage
min	Minutes	Time
	Direct Current	Type or a characteristic of current
n_0	No Load Speed	Rotational speed, at no load
.../min	Per Minute	Revolutions, strokes, surface speed, orbits etc., per minute

FEATURES

PRODUCT SPECIFICATIONS

No Load Speed 0-540/0-2,000/min. (RPM)
 Impact Speed 0-8,500/0-31,000/min (BPM)
 Torque 1,300 in.-lb.

ASSEMBLY

UNPACKING

This product requires assembly.

- Carefully remove the tool and any accessories from the box. All items listed in the **Includes** section must be included at the time of purchase.
-

WARNING:

Items in this *Assembly* section are not assembled to the product by the manufacturer and require customer installation. Use of a product that may have been improperly assembled could result in serious personal injury.

- If any parts are damaged or missing, please call 1-866-539-1710 for assistance.
-

WARNING:

If any parts are damaged or missing do not operate this product until the parts are replaced. Use of this product with damaged or missing parts could result in serious personal injury.

WARNING:

Do not attempt to modify this product or create accessories or attachments not recommended for use with this product. Any such alteration or modification is misuse and could result in a hazardous condition leading to possible serious personal injury.

OPERATION

WARNING:

Do not allow familiarity with this product to make you careless. Remember that a careless fraction of a second is sufficient to inflict serious injury.

WARNING:

Always remove battery pack from the tool when you are assembling parts, making adjustments, cleaning, or when not in use. Removing battery pack will prevent accidental starting that could cause serious personal injury.

INSTALLING/REMOVING THE AUXILIARY HANDLE

See Figures 1 - 2, page 10.

An auxiliary handle is included for ease of operation and to help prevent loss of control. The handle can be mounted for left or right hand use. It may also be installed in a vertical position as shown.

To install the auxiliary handle:

- Remove the battery pack.
- Turn the handle grip counterclockwise to loosen it and open the hooks wide enough to fit over the mounting ribs, behind the torque adjustment ring.
- Place the hooks over the mounting ribs, making sure the tabs are positioned in the slots as shown.
NOTE: Make sure the slots on the inside of the auxiliary handle engage the tabs on the drill housing.
- Turn the handle clockwise to tighten. Make sure the handle is secure before beginning operation.

To remove the handle and install it on the opposite side:

- Turn the handle grip counterclockwise to loosen and remove the handle.
- Reinstall the handle in the desired position.

WARNING:

Always wear eye protection with side shields marked to comply with ANSI Z87.1, along with hearing protection. Failure to do so could result in objects being thrown into your eyes and other possible serious injuries.

WARNING:

Do not use any attachments or accessories not recommended by the manufacturer of this product. The use of attachments or accessories not recommended can result in serious personal injury.

OPERATION

APPLICATIONS

You may use this product for the purposes listed below:

- Hammer drilling in concrete, brick, or other masonry
- Drilling in all types of wood products (lumber, plywood, paneling, composition board, and hard board), ceramics, plastics, fiberglass, laminates, and metals; driving screws into wood and drywall with screwdriver bits

OVERLOAD PROTECTION

When the tool is forced or the motor is overloaded, the tool will automatically shut off. To reset the tool, release the trigger and resume operation. If the tool still does not resume operation, remove and reinsert the battery. Do not force the tool.

INSTALLING BELT HOOK

See Figure 3, page 11.

The belt hook may be installed on either side of the housing.

- Align hole in belt hook with hole in tool's base.
- Install screw to secure belt hook in place.
- To uninstall, remove screw and then belt hook.

VARIABLE SPEED SWITCH TRIGGER

See Figure 4, page 11.

The variable speed switch trigger delivers higher speed with increased trigger pressure and lower speed with decreased trigger pressure.

To turn the drill **ON**, depress the switch trigger. To turn it **OFF**, release the switch trigger and allow the chuck to come to a complete stop.

NOTE: A whistling or ringing noise coming from the switch during use is a normal part of the switch function.

NOTE: Running at low speeds under constant usage may cause the drill to become overheated. If this occurs, cool the drill by running it without a load and at full speed.

DIRECTION OF ROTATION SELECTOR (FORWARD/REVERSE/CENTER LOCK)

See Figure 4, page 11.

Set the direction of rotation selector in the **OFF** (center lock) position to lock the switch trigger and help prevent accidental starting when not in use.

Position the direction of rotation selector to the left of the switch trigger for forward drilling. Position the selector to the right of the switch trigger to reverse the direction.

NOTE: The drill will not run unless the direction of rotation selector is pushed fully to the left or right.

NOTICE:

To prevent gear damage, always allow the chuck to come to a complete stop before changing the direction of rotation.

WARNING:

Battery tools are always in operating condition. Lock the switch when not in use or carrying at your side, when installing or removing the battery pack, and when installing or removing bits.

INSTALLING/REMOVING BATTERY PACK

See Figure 5, page 11.

- Lock the switch trigger.
- Insert the battery pack into the product as shown.
- Make sure the latches on each side of the battery pack snap into place and that battery pack is secured in the product before beginning operation.
- Depress the latches to remove the battery pack.

For complete charging instructions, see the operator's manuals for your battery pack and charger.

INSTALLING/REMOVING BITS

See Figures 6 - 7, page 11.

The arrows on the keyless chuck indicate which direction to rotate the chuck sleeve to tighten or release the drill bit.

Do not use a wrench to tighten or loosen the chuck jaws.

- **To install bits**, lock the switch trigger.
- Open or close the chuck jaws until the opening is slightly larger than the bit size you intend to use.
- Raise the front of the drill slightly and insert the drill bit.

WARNING:

Make sure to insert the drill bit straight into the chuck jaws. Do not insert the drill bit into the chuck jaws at an angle, then tighten. This could cause the drill bit to be thrown from the drill, resulting in possible serious personal injury or damage to the chuck.

- Rotate the chuck sleeve to close and tighten the chuck jaws.

WARNING:

Do not hold the chuck sleeve with one hand and use the power of the drill to tighten the chuck jaws on the drill bit. The chuck sleeve could slip in your hand, or your hand could slip and come in contact with the rotating drill bit. This could cause an accident resulting in serious personal injury.

- **To remove bits**, lock the switch trigger and open the chuck jaws.
- The bit provided with the drill can be placed in the storage area, located on the base of the drill.

OPERATION

LED LIGHT

See Figure 8, page 11.

The LEDs emit light from the front of the chuck when either the switch trigger or grip light switch is depressed.

If the drill is not in use, the time-out feature will cause the light to start fading and then shut off.

The LED light illuminates only when there is a charged battery pack in the tool.

TWO-SPEED GEAR TRAIN

See Figure 9, page 11.

- Select low speed **(1)** for applications requiring higher power and torque, such as driving screws and drilling in metal.
- Select high speed **(2)** for fast drilling or driving applications, for drilling in wood or masonry, and for hammer drilling.

NOTICE:

Never change speeds while the tool is running. Failure to obey this caution could result in serious damage to the drill.

NOTE: If you have difficulty changing from one speed range to the other, turn the chuck by hand until the gears engage.

ADJUSTING TORQUE

See Figure 10, page 11.

When using the hammer drill for various driving applications, it becomes necessary to increase or decrease the torque to help prevent the possibility of damaging screw heads, threads, workpiece, etc. In general, torque intensity should correspond to the screw diameter. If the torque is too high or the screws too small, the screws may be damaged or broken.

The torque is greater when the torque adjustment ring is set on a higher setting. The torque is less when the torque adjustment ring is set on a lower setting.

NOTE: The torque adjustment ring only functions in drive mode.

SELECTING DRILL, DRIVE, OR HAMMER MODE

See Figure 11, page 12.

- Select drill mode for drilling and other heavy duty applications.
- Select drive mode for driving screws.
- Select hammer mode for hammer drilling.

Choose the option that best matches the type of bit, fastener, and material you will be using.

- Choose your application.
- Choose the correct speed: low **(1)** or high **(2)**.
- Choose the correct mode: drill, drive or hammer.

NOTE: The hammer drill has not been designed for reverse hammering.

Use carbide-tipped bits and select hammer mode when drilling in hard materials such as brick, concrete, etc.

Use carbide-tipped bits and select drill mode when drilling in materials with hard, brittle surfaces such as tile, etc.

Use twist drills, hole saws, etc. and drill mode when drilling in soft materials.

DRILLING/DRIVING SCREWS

See Figure 12, page 12.

WARNING:

Always use the auxiliary handle when using this tool to help resist torque reactions. Binding or stalling of this product could lead to serious personal injury.

-
- Install the auxiliary handle.
 - Check the direction of rotation selector for the correct setting (forward or reverse).
 - Select low speed **(1)** or high speed **(2)**, depending on your application. Refer to **Two-Speed Gear Train** and **Adjusting Torque**.
 - Secure the workpiece in a vise or with clamps to keep it from turning as the bit rotates.
 - Hold the drill firmly and place the bit at the point to be drilled, or where the screw is to be driven.

WARNING:

Do not drive a screw where there is likely to be hidden wiring behind the surface. Contact with a “live” wire will make exposed metal parts of the tool “live” and possibly shock the operator. If you must drive a screw where hidden wire may be present, always hold tool by insulated gripping surfaces (handle) when performing the operation to prevent a shock to the operator.

-
- Depress the switch trigger to start the drill.
 - Move the bit into the workpiece, applying only enough pressure to keep the bit cutting or driving the screw. Do not force the drill or apply side pressure to elongate a hole. Let the tool do the work.

WARNING:

When drilling, be prepared for binding at bit breakthrough. When these situations occur, drill has a tendency to grab and kick opposite to the direction of rotation and could cause loss of control when breaking through material. If not prepared, this loss of control can result in possible serious injury.

OPERATION

- When drilling hard, smooth surfaces, use a center punch to mark the desired hole location. This will prevent the bit from slipping off-center as the hole is started.
- If the bit jams in the workpiece or if the drill stalls, stop the tool immediately. Remove the bit from the workpiece and determine the reason for jamming.

NOTE: This drill has an electric brake. When the switch trigger is released, the chuck stops turning. When the brake is functioning properly, sparks will be visible through the vent slots on the housing. This is normal and is the action of the brake.

WOOD AND METAL DRILLING

For maximum performance, use high speed steel bits for wood or metal drilling. Select drilling mode. Begin drilling at a very low speed to prevent the bit from slipping off the starting point.

Wood Drilling

- Increase the speed as the drill bit bites into the material.
- When drilling through holes, place a block of wood behind the workpiece to prevent ragged or splintered edges on the back side of the hole.

Metal and Steel Drilling

- Use a light oil on the drill bit to keep it from overheating. The oil will prolong the life of the bit and increase the drilling action.

- Maintain a speed and pressure which allows cutting without overheating the bit. Applying too much pressure will:
 - Overheat the drill;
 - Wear the bearings;
 - Bend or burn bits; and
 - Produce off-center or irregular-shaped holes.
- When drilling large holes in metal, start with a small bit, then finish with a larger bit.

MASONRY DRILLING

For maximum performance, use carbide-tipped masonry impact bits or designated hammer drill bits when drilling holes in brick, tile, concrete, etc. Select hammer mode.

- Apply light pressure at medium speed for best results in brick.
- Apply additional pressure for hard materials such as concrete.
- When drilling holes in tile, practice on a scrap piece to determine the best speed and pressure. Begin drilling at a very low speed to prevent the bit from slipping off the starting point.

MAINTENANCE

WARNING:

When servicing, use only identical replacement parts. Use of any other parts could create a hazard or cause product damage.

GENERAL MAINTENANCE

Avoid using solvents when cleaning plastic parts. Most plastics are susceptible to damage from various types of commercial solvents and may be damaged by their use. Use clean cloths to remove dirt, dust, oil, grease, etc.

**NOTE: ILLUSTRATIONS START ON PAGE 10
AFTER FRENCH AND SPANISH LANGUAGE SECTIONS.**

**This product has a 90-Day Satisfaction Guarantee Policy,
as well as a Three-year Limited Warranty.**

**For Warranty and Policy details, please go to
www.RIDGID.com or call (toll free) 1-866-539-1710.**

AVERTISSEMENTS DE SÉCURITÉ GÉNÉRALES RELATIVES AUX OUTILS ÉLECTRIQUES

AVERTISSEMENT

Lire les avertissements de sécurité, les instructions et les précisions et consulter les illustrations fournis avec cet outil électrique.

Le fait de ne pas se conformer à l'ensemble des consignes présentées ci-dessous risque d'entraîner des décharges électriques, un incendie et/ou des blessures graves.

Conserver les avertissements et les instructions à des fins de référence ultérieure. Le terme « outil motorisé », utilisé dans tous les avertissements ci-dessous désigne tout outil fonctionnant sur secteur (câblé) ou sur piles (sans fil).

SÉCURITÉ DU LIEU DE TRAVAIL

- **Garder le lieu de travail propre et bien éclairé.** Les endroits encombrés ou sombres sont propices aux accidents.
- **Ne pas utiliser d'outils électriques dans des atmosphères explosives, par exemple en présence de liquides, gaz ou poussières inflammables.** Les outils électriques produisent des étincelles risquant d'enflammer les poussières ou vapeurs.
- **Garder les enfants et badauds à l'écart pendant l'utilisation d'un outil électrique.** Les distractions peuvent causer une perte de contrôle.

SÉCURITÉ ÉLECTRIQUE

- **Les fiches des outils électriques doivent correspondre à la prise secteur utilisée. Ne jamais modifier la fiche, de quelque façon que ce soit. Ne jamais utiliser d'adaptateurs de fiche avec des outils mis à la terre.** Les fiches et prises non modifiées réduisent le risque de choc électrique.
- **Éviter tout contact du corps avec des surfaces mises à la terre, telles que tuyaux, radiateurs, cuisinières et réfrigérateurs.** Le risque de choc électrique est accru lorsque le corps est mis à la terre.
- **Ne pas exposer les outils électriques à l'eau ou l'humidité.** La pénétration d'eau dans ces outils accroît le risque de choc électrique.
- **Ne pas maltraiter le cordon d'alimentation. Ne jamais utiliser le cordon d'alimentation pour transporter l'outil et ne jamais débrancher ce dernier en tirant sur le cordon. Garder le cordon à l'écart de la chaleur, de l'huile, des objets tranchants et des pièces en mouvement.** Un cordon endommagé ou emmêlé accroît le risque de choc électrique.
- **Pour les travaux à l'extérieur, utiliser un cordon spécialement conçu à cet effet.** Utiliser un cordon conçu pour l'usage extérieur pour réduire les risques de choc électrique.
- **S'il est nécessaire d'utiliser l'outil électrique dans un endroit humide, employer un dispositif interrupteur de défaut à la terre (GFCI).** L'utilisation d'un GFCI réduit le risque de décharge électrique.

- **Utiliser ce produit seulement avec les piles et les chargeurs indiqués dans le supplément de raccordement pour chargeur/outils/piles/appareil n° 988000-302.**

SÉCURITÉ PERSONNELLE

- **Rester attentif, prêter attention au travail et faire preuve de bon sens lors de l'utilisation de tout outil électrique. Ne pas utiliser cet outil en état de fatigue ou sous l'influence de l'alcool, de drogues ou de médicaments.** Un moment d'inattention pendant l'utilisation d'un outil électrique peut entraîner des blessures graves.
- **Utiliser l'équipement de sécurité. Toujours porter une protection oculaire.** L'équipement de sécurité, tel qu'un masque filtrant, de chaussures de sécurité, d'un casque ou d'une protection auditive, utilisé dans des conditions appropriées réduira le risque de blessures.
- **Éviter les démarrages accidentels. S'assurer que le commutateur est en position d'arrêt avant de brancher l'outil.** Porter un outil avec le doigt sur son commutateur ou brancher un outil dont le commutateur est en position de marche peut causer un accident.
- **Retirer les clés de réglage avant de mettre l'outil en marche.** Une clé laissée sur une pièce rotative de l'outil peut causer des blessures.
- **Ne pas travailler hors de portée. Toujours se tenir bien campé et en équilibre.** Ceci permettra de mieux contrôler l'outil en cas de situation imprévue.
- **Porter une tenue appropriée. Ne porter ni vêtements amples, ni bijoux. Garder les cheveux, les vêtements et les gants à l'écart des pièces en mouvement.** Les vêtements amples, bijoux et cheveux longs peuvent se prendre dans les pièces en mouvement.
- **Si les outils sont équipés de dispositifs de dépoussiérage, s'assurer qu'ils sont connectés et correctement utilisés.** L'usage de ces dispositifs de dépoussiérage peut réduire les dangers présentés par la poussière.
- **Malgré votre expérience acquise par l'utilisation fréquente des outils, soyez toujours vigilant et respectez les principes de sécurité relatifs aux outils.** Il s'agit d'une fraction de seconde pour qu'un geste irréfléchi puisse causer de graves blessures.
- **Ne porter ni vêtements amples, ni bijoux. Attacher ou couvrir les cheveux longs.** Les vêtements amples, bijoux et cheveux longs peuvent se prendre dans les ouïes d'aération.
- **Ne pas utiliser l'outil sur une échelle ou un support instable.** Une bonne tenue et un bon équilibre permettent de mieux contrôler l'outil en cas de situation imprévue.

AVERTISSEMENTS DE SÉCURITÉ GÉNÉRALES RELATIVES AUX OUTILS ÉLECTRIQUES

UTILISATION ET ENTRETIEN DES OUTILS ÉLECTRIQUES

- **Ne pas forcer l'outil. Utiliser l'outil approprié pour l'application.** Un outil approprié exécutera le travail mieux et de façon moins dangereuse s'il est utilisé dans les limites prévues.
- **Ne pas utiliser l'outil si le commutateur ne permet pas de le mettre en marche ou de l'arrêter.** Tout outil qui ne peut pas être contrôlé par son commutateur est dangereux et doit être réparé.
- **Débrancher l'outil et/ou retirer le bloc-piles avant d'effectuer des réglages, de changer d'accessoire ou de remiser l'outil.** Ces mesures de sécurité préventives réduisent les risques de démarrage accidentel de l'outil.
- **Ranger les outils motorisés hors de la portée des enfants et ne laisser personne n'étant pas familiarisé avec l'outil ou ces instructions utiliser l'outil.** Dans les mains de personnes n'ayant pas reçu des instructions adéquates, les outils sont dangereux.
- **Entretien des outils motorisés. Vérifier qu'aucune pièce mobile n'est mal alignée ou bloquée, qu'aucune pièce n'est brisée et s'assurer qu'aucun autre problème ne risque d'affecter le bon fonctionnement de l'outil. En cas de dommages faire réparer l'outil avant de l'utiliser de nouveau.** Beaucoup d'accidents sont causés par des outils mal entretenus.
- **Garder les outils bien affûtés et propres.** Des outils correctement entretenus et dont les tranchants sont bien affûtés risquent moins de se bloquer et sont plus faciles à contrôler.
- **Utiliser l'outil, les accessoires et embouts, etc. conformément à ces instructions pour les applications pour lesquelles ils sont conçus, en tenant compte des conditions et du type de travail à exécuter.** L'usage d'un outil motorisé pour des applications pour lesquelles il n'est pas conçu peut être dangereux.
- **Gardez les poignées et les surfaces de prise sèches, propres et exemptes d'huile et de graisse.** Des poignées et des surfaces de prise glissantes empêchent la manipulation et le contrôle sécuritaires de l'outil dans des circonstances imprévues.

UTILISATION ET ENTRETIEN DE LA PILE

- **Ne recharger qu'avec l'appareil spécifié par le fabricant.** Un chargeur approprié pour un type de pile peut créer un risque d'incendie s'il est utilisé avec un autre type de pile.
- **Utiliser exclusivement le bloc-pile spécifiquement indiqué pour l'outil.** L'usage de tout autre bloc peut créer un risque de blessures et d'incendie.
- **Lorsque le bloc-piles n'est pas en usage, le garder à l'écart d'articles tels qu'attaches trombones, pièces de monnaie, clous, vis ou autres petits objets métalliques risquant d'établir le contact entre les deux bornes.** La mise en court-circuit des bornes de piles peut causer des étincelles, des brûlures ou un incendie.
- **En cas d'usage abusif, du liquide peut s'échapper des piles. Éviter tout contact avec ce liquide. En cas de contact accidentel, rincer immédiatement les parties atteintes avec de l'eau. En cas d'éclaboussure dans les yeux consulter un médecin.** Le liquide s'échappant des piles peut causer des irritations ou des brûlures.
- **Ne pas utiliser un bloc-piles ou un outil endommagé ou modifié.** Les piles endommagées ou modifiées peuvent produire un comportement imprévisible pouvant provoquer un incendie, une explosion ou des blessures.
- **Ne pas exposer le bloc-piles ou l'outil près d'un incendie ou à une température extrême.** L'exposition à un incendie ou à une température supérieure à 130 °C (265 °F) représente un risque d'explosion.
- **Suivre toutes les instructions afférentes à la recharge et ne pas recharger le bloc-piles ou l'outil hors des températures spécifiées dans les instructions.** Une recharge incorrecte ou hors des températures spécifiées peut endommager la pile et augmenter les risques de feu.

DÉPANNAGE

- **Les réparations doivent être confiées à un technicien qualifié, utilisant exclusivement des pièces identiques à celles d'origine.** Ceci assurera le maintien de la sécurité de l'outil.
- **Ne réparez jamais de blocs-piles endommagés.** Seuls le fabricant et les fournisseurs de service autorisés doivent effectuer la réparation ou l'entretien des blocs-piles.

AVERTISSEMENTS DE SÉCURITÉ RELATIFS PERCEUSE À PERCUSSION

INSTRUCTIONS DE SÉCURITÉ POUR TOUTES LES OPÉRATIONS

- **Porter des protecteurs d'oreilles avec les perceuses à percussion.** L'exposition au bruit peut entraîner une perte auditive.
- **Utiliser les poignée(s) auxiliaires.** La perte de contrôle peut causer des blessures.
- **S'assurer d'un support adéquat de l'outil avant de l'utiliser.** Cet outil produit un couple de sortie élevé et sans support adéquat de l'outil pendant le fonctionnement pourrait occasionner une perte de contrôle et causer des blessures corporelles.
- **Tenir l'outil par ses surfaces de préhension isolées lors des opérations pendant lesquelles l'accessoire de coupe ou les fixations peut entrer en contact avec du câblage caché.** Le contact d'un accessoire de coupe ou pièce de fixation avec un fil sous tension « électrifié » les pièces métalliques exposées de l'outil et peut électrocuter l'utilisateur.
- **Apprendre à connaître l'outil.** Lire attentivement le manuel d'utilisation. Apprendre les applications et les limites de l'outil, ainsi que les risques spécifiques relatifs à son utilisation. Le respect de cette consigne réduira les risques d'incendie, de choc électrique et de blessures graves.

INSTRUCTIONS DE SÉCURITÉ RELATIVES À L'UTILISATION DES MÈCHES LONGUES

- **Ne jamais faire fonctionner à une vitesse supérieure à la vitesse maximale suggérée pour la mèche.** À des vitesses plus élevées, la mèche est plus susceptible de plier si on la laisse tourner librement sans contact avec la pièce à percer, ce qui peut causer des blessures.
- **Toujours commencer à percer à basse vitesse et s'assurer que le bout de la mèche est en contact avec la pièce à percer.** À des vitesses plus élevées, la mèche est plus susceptible de plier si on la laisse tourner librement sans contact avec la pièce à percer, ce qui peut causer des blessures.
- **Appliquer une pression seulement en ligne directe avec la mèche et ne pas appliquer trop de pression.** Les mèches peuvent se plier et briser ou vous faire perdre le contrôle, ce qui peut causer des blessures.




INSTRUCTIONS DE SÉCURITÉ SUPPLÉMENTAIRES

- **Toujours porter une protection oculaire munie d'écrans latéraux certifiée conforme à la norme ANSI Z87.1 lors du montage des pièces, du fonctionnement de l'outil ou au moment de l'entretien.** Le respect de cette consigne réduira les risques de blessures graves.






- **Protection respiratoire.** Porter un masque facial ou un masque antipoussière si le travail produit de la poussière. Le respect de cette consigne réduira les risques de blessures graves.
- **Protection auditive.** Porter une protection auditive lors de l'utilisation prolongée. Le respect de cette règle réduira les risques de blessures graves.
- **Les outils fonctionnant sur piles n'ayant pas besoin d'être branchés sur une prise secteur, ils sont toujours en état de fonctionnement. Tenir compte des dangers possibles lorsque l'outil n'est pas en usage et lors du remplacement des piles.** Le respect de cette consigne réduira les risques d'incendie, de choc électrique et de blessures graves.
- **Ne pas placer les outils électriques sans fil ou leurs piles à proximité de flammes ou d'une source de chaleur.** Ceci réduira les risques d'explosion et de blessures.
- **Ne pas écraser, faire tomber ou endommager le bloc-piles. Ne jamais utiliser un bloc-piles ou un chargeur qui est tombé, a été écrasé, a reçu un choc violent ou a été endommagé de quelque façon que ce soit.** Une pile endommagée risque d'exploser. Éliminer immédiatement toute pile endommagée, selon une méthode appropriée.
- **Les piles peuvent exploser en présence d'une source d'allumage, telle qu'une veilleuse.** Pour réduire les risques de blessures graves, ne jamais utiliser un appareil sans fil, quel qu'il soit, en présence d'une flamme vive. En explosant, une pile peut projeter des débris et des produits chimiques. En cas d'exposition, rincer immédiatement les parties atteintes avec de l'eau.
- **Ne pas recharger un outil fonctionnant sur piles dans un endroit humide ou mouillé. Ne pas utiliser, remiser ou charger le bloc-piles ou produits dans des emplacements où la température est inférieure 10 °C (50 °F) à ou supérieure à 38 °C (100 °F).** Ne pas ranger l'outil à l'extérieur ou dans un véhicule.
- **Si l'outil est utilisé de façon intensive ou sous des températures extrêmes, des fuites de pile peuvent se produire. En cas de contact du liquide avec la peau, rincer immédiatement la partie atteinte avec de l'eau. En cas d'éclaboussure dans les yeux, les rincer à l'eau fraîche pendant au moins 10 minutes, puis contacter immédiatement un médecin.** Le respect de cette règle réduira les risques de blessures graves.
- **Conserver ces instructions.** Les consulter fréquemment et les utiliser pour instruire les autres utilisateurs éventuels. Si cet outil est prêté, il doit être accompagné de ces instructions.

SYMBOLES

Les termes de mise en garde suivants et leur signification ont pour but d'expliquer le degré de risques associé à l'utilisation de ce produit.

SYMBOLE	SIGNAL	SIGNIFICATION
	DANGER :	Indique une situation dangereuse qui, si elle n'est pas évitée, aura pour conséquences des blessures graves ou mortelles.
	AVERTISSEMENT :	Indique une situation dangereuse qui, si elle n'est pas évitée, pourrait entraîner des blessures graves ou mortelles.
	ATTENTION :	Indique une situation dangereuse qui, si elle n'est pas évitée, pourrait entraîner des blessures légères ou de gravité modérée.
	AVIS :	(Sans symbole d'alerte de sécurité) Indique les informations jugées importantes sans toutefois représenter un risque de blessure (ex. : messages concernant les dommages matériels).

Certains des symboles ci-dessous peuvent être utilisés sur produit. Veiller à les étudier et à apprendre leur signification. Une interprétation correcte de ces symboles permettra d'utiliser produit plus efficacement et de réduire les risques.

SYMBOLE	NOM	DÉSIGNATION / EXPLICATION
	Symbole d'alerte de sécurité	Indique un risque de blessure potentiel.
	Lire manuel d'utilisation	Pour réduire les risques de blessures, l'utilisateur doit lire et veiller à bien comprendre le manuel d'utilisation avant d'utiliser ce produit.
	Protection oculaire	Toujours porter une protection oculaire avec écrans latéraux certifiée conforme à la norme ANSI Z87.1.
	Avertissement concernant l'humidité	Ne pas exposer à la pluie ou l'humidité.
	Symboles de recyclage	Ce produit utilise les piles de lithium-ion (Li-ion). Les réglementations locales ou gouvernementales peuvent interdire de jeter les piles dans les ordures ménagères. Consulter les autorités locales compétentes pour les options de recyclage et/ou l'élimination.
V	Volts	Tension
min	Minutes	Temps
==	Courant continu	Type ou caractéristique du courant
n_0	Vitesse à vide	Vitesse de rotation à vide
.../min	Par minute	Tours, coups, vitesse périphérique, orbites, etc., par minute

CARACTÉRISTIQUES

FICHE TECHNIQUE

Vitesse à vide 0-540/0-2 000/min (RPM)
 Coups (impacts)/minute 0-8 500/0-31 000/min (BPM)
 Couple 146,88 Nm (1 300 po-lb)

ASSEMBLAGE

DÉBALLAGE

Ce produit nécessite un assemblage.

- Avec précaution, sortir l'outil et les accessoires de la boîte. Tous les articles énumérés sous « **Inclut** » doivent se trouver dans l'emballage au moment de l'achat.

AVERTISSEMENT :

Certaines pièces figurant dans cette section *Assemblage* n'ont pas été installées sur le produit par le fabricant et exigent une installation du client. Le fait d'utiliser un produit qui a été assemblé de façon inadéquate peut entraîner des blessures..

-
- Si des pièces manquent ou sont endommagées, appeler le 1-866-539-1710.

AVERTISSEMENT :

Si des pièces manquent ou sont endommagées, ne pas utiliser cet outil avant qu'elles aient été remplacées. Le non-respect de cet avertissement pourrait entraîner des blessures graves.

AVERTISSEMENT :

Ne pas essayer de modifier cet outil ou de créer des accessoires or attachments non recommandés pour l'outil. De telles altérations ou modifications sont considérées comme un usage abusif et peuvent créer des conditions dangereuses, risquant d'entraîner des blessures graves.

UTILISATION

AVERTISSEMENT :

Ne pas laisser la familiarité avec l'outil faire oublier la prudence. Ne pas oublier qu'une fraction de seconde d'inattention peut entraîner des blessures graves.

AVERTISSEMENT :

Toujours retirer la bloc-pile de l'outil au moment d'assembler des pièces, d'effectuer des réglages et de procéder au nettoyage, ou lorsque l'outil n'est pas utilisé. Si cette précaution n'est pas prise, des objets peuvent être projetés dans les yeux et causer des lésions graves.

INSTALLATION/RETRAIT DE POIGNÉE AUXILIAIRE

Voir les figures 1 et 2, page 9.

Une poignée auxiliaire est inclus pour faciliter le travail et empêcher la perte du contrôle. La poignée peut être installée de la perceuse pour être utilisée de la main gauche ou de la main droite. La poignée auxiliaire peut être installée en position verticale comme il est illustré.

Pour installer la poignée auxiliaire :

- Retirer le bloc-pile.
- Tourner la poignée dans le sens antihoraire pour la desserrer et ouvrir les crochets assez largement pour couvrir les nervures de montage, derrière la bague de réglage du couple.
- Placer les crochets au-dessus des nervures de montage, et vérifier que les languettes sont placés dans les fentes comme il est illustré.

NOTE : S'assurer que les fentes intérieures de la poignée auxiliaire s'insèrent dans les languettes du logement de la perceuse.

- Tourner la poignée dans le sens horaire pour serrer. S'assurer que la poignée est fixée solidement avant de commencer l'opération.

Pour retirer la poignée et l'installer sur le côté opposé :

- Tourner la poignée dans le sens antihoraire afin de la desserrer puis retirer la poignée.
- Réinstaller la poignée sur la position désirée.

AVERTISSEMENT :

Toujours porter une protection oculaire avec écrans latéraux certifiée conforme à la norme ANSI Z87.1, ainsi qu'une protection auditive. Si une opération dégage de la poussière, porter également un masque anti-poussière.

AVERTISSEMENT :

Ne pas essayer de modifier cet outil ou de créer des accessoires non recommandés pour ce produit. L'utilisation de pièces et accessoires non recommandés peut entraîner des blessures graves.

UTILISATION

APPLICATIONS

Cet outil ne doit être utilisé que pour les applications listées ci-dessous.

- Perçage en mode de percussion dans le béton, la brique et autres pièces de maçonnerie
- Perçage et du vissage de vis de produits du bois (bois d'oeuvre, contreplaqué, lambris, aggloméré et bois dur), céramique, plastique, fibre de verre, matériaux laminés, métaux mous et durs; Visser différents types de vis dans le bois et les cloisons sèches à l'aide d'embouts de tournevis

PROTECTION CONTRE LES SURCHARGES

La herramienta arrêtera automatiquement l'outil s'il est forcé ou lors d'une surcharge du moteur. Pour redémarrer l'outil, relâcher la gâchette et poursuivre le travail. Si l'outil ne fonctionne toujours pas, retirer et réinstaller les bloc-pile. Ne pas forcer l'outil.

INSTALLATION DU CROCHET DE CEINTURE

Voir la figure 3, page 11.

Le crochet de ceinture peut être fixé d'un côté ou l'autre de l'outil.

- Aligner les trous du agrafe de courroie avec les trous du base.
- Installer le vis pour fixer solidement le agrafe de courroie.
- Pour retirer, desserrer le vis et retirer le crochet de ceinture.

GÂCHETTE À VARIATION DE VITESSE

Voir la figure 4, page 11.

La gâchette avec variation de vitesse procurera des vitesses plus élevées si une pression accrue est exercée et des vitesses moins élevées dans le cas d'une pression réduite.

Pour mettre la perceuse **EN MARCHÉ**, appuyer sur la gâchette. Pour **ÉTEINDRE**, la perceuse, relâcher la gâchette et laisser le mandrin parvenir à l'arrêt complet.

NOTE : Un bruit de sifflement ou de tintement provenant de la gâchette pendant l'utilisation est une situation normale pour cet interrupteur.

NOTE : L'utilisation de la perceuse à faible vitesse de façon continue peut entraîner une surchauffe. Si la perceuse surchauffe, la refroidir en la laissant tourner à vide et à la vitesse maximum.

SÉLECTEUR DE SENS DE ROTATION (AVANT/ARRIÈRE/POSITION CENTRALE VERROUILLÉE)

Voir la figure 4, page 11.

Régler le sélecteur de sens de rotation à la position **ARRÊT** (position centrale verrouillée) pour verrouiller la gâchette pour réduire la possibilité d'un démarrage accidentel lorsque l'appareil n'est pas utilisé.

Positionner le sélecteur de sens de rotation du côté gauche de la gâchette pour pouvoir percer vers l'avant. Positionner le sélecteur de sens de rotation du côté droit de la gâchette pour inverser le sens de rotation.

NOTE : La perceuse ne peut fonctionner que si le sélecteur de sens de rotation est poussé à fond vers la droite ou la gauche.

AVIS :

Pour éviter des dommages aux engrenages, toujours laisser le mandrin parvenir à l'arrêt complet avant de changer de sens de rotation.

AVERTISSEMENT :

Les outils à piles sont toujours en état de fonctionnement. Verrouiller la gâchette lorsque l'outil n'est pas utilisé ou pour le transporter le long du corps, pour insérer ou retirer le bloc-piles et lors de l'installation ou du retrait des forets.

INSTALLATION/RETRAIT DU BLOC-PILES

Voir la figure 5, page 11.

- Verrouiller la gâchette.
- Insérer la pile dans l'outil comme illustré.
- S'assurer que les loquets de chaque côté de la pile s'enclenchent en place et que la pile est bien fixée à l'outil avant de mettre l'outil en marche.
- Relâcher les loquets pour retirer le bloc-piles.

Pour prendre connaissance des consignes de chargement, consulter le manuel d'utilisation des piles et des chargeurs.

INSTALLATION/RETRAIT FORETS

Voir les figures 6 et 7, page 11.

Les flèches sur le mandrin sans clé indiquent le sens de rotation du corps du mandrin pour serrer ou dégager le foret de la perceuse.

Ne pas utiliser une clé ordinaire ou une pince pour serrer ou desserrer les mors du mandrin.

- **Pour insérer les forets**, verrouiller la gâchette.
 - Ouvrir suffisamment les mors du mandrin pour pouvoir y insérer le foret à utiliser.
 - Relever légèrement la partie avant de la perceuse et insérer le foret.
-

AVERTISSEMENT :

Veiller à insérer le foret ou l'embout droit dans les mors du mandrin. Ne pas insérer un foret dans les mors en serrant. Le foret pourrait être éjecté de la perceuse et causer des blessures graves ou endommager le mandrin.

- Faire tourner le corps du mandrin pour refermer et serrer les manchons du mandrin.
-

AVERTISSEMENT :

Ne pas tenir le corps du mandrin d'une main et utiliser la force du moteur pour serrer les manchons du mandrin sur le foret ou l'embout. Le mandrin pourrait glisser de la main et celle-ci risquerait d'être heurtée par le foret en rotation. Ceci pourrait entraîner des blessures graves.

UTILISATION

- **Pour retirer les forets**, verrouiller la gâchette et ouvrir les manchons du mandrin.
- Il est possible de loger les embouts fournis avec la perceuse dans le rangement situé sur la base de l'outil.

LAMPE DÉL

Voir la figure 8, page 11.

La lampe DÉL, située à l'avant de la base de l'outil, s'allume automatiquement lorsque vous appuyez sur la gâchette de commutateur ou interrupteur de la lampe DÉL de la poignée.

Lorsque la perceuse n'est pas en usage, la fonction d'arrêt fait en sorte que la lampe faiblit et s'éteint.

Le ampoule à DEL faisceaux s'allume seulement lorsqu'un bloc-piles chargé se trouve dans l'outil.

TRAIN D'ENGRENAGES À DEUX VITESSES

Voir la figure 9, page 11.

- Sélectionnez la vitesse basse (low) **(1)** pour les travaux nécessitant une puissance et un couple accrues, tels que de visser des vis et de percer du métal.
- Sélectionner la vitesse élevée (high) **(2)** pour les applications de vissage et perçage rapides et le perçage du bois ou de la maçonnerie.

AVIS :

Ne jamais changer de gamme de vitesse lorsque l'outil est en fonctionnement. Le non respect de cette mise en garde pourrait entraîner de sérieux dommages à la perceuse.

NOTE : Si vous avez du mal à passer d'une plage de vitesse à l'autre, tournez le mandrin manuellement jusqu'à ce que les vitesses s'engagent.

RÉGLAGE DU COUPLE

Voir la figure 10, page 11.

Selon l'application pour laquelle la perceuse-tournevis est utilisée, le couple doit être augmenté ou réduit afin d'éviter d'endommager les têtes ou le filetage des vis, la pièce de bois, etc. En général, le couple à utiliser est déterminé par le diamètre de la vis. Si le couple est trop élevé pour la taille des vis, celles-ci risquent d'être endommagées ou brisées.

Le couple est plus élevé lorsque la bague est réglée sur une valeur plus élevée. Le couple est moins élevé lorsque la bague est réglée sur une valeur plus basse.

NOTE: Bien que la bague de réglage du couple tourne dans tous les modes, elle ne fonctionne que lorsque le mode de vissage est sélectionné.

SÉLECTION DU MODE DE PERÇAGE, DE VISSAGE OU DE PERCUSSION

Voir la figure 11, page 12.

- Sélectionnez le mode Percer pour percer ou pour les autres travaux robustes.
- Sélectionnez le mode Visser pour visser des vis.
- Sélectionnez le mode Percussion pour le perçage à percussion.

Sélectionnez l'option qui correspond le mieux au type de douille, de fixation et de matériaux que vous utiliserez.

- Choisissez le travail à accomplir.
- Choisissez la vitesse appropriée : basse (1) ou élevée (2).
- Choisissez le bon mode : percer, visser ou percussion.

NOTE : La perceuse à percussion n'a pas été conçue pour marteler en sens inverse.

Utiliser des embouts au carbure et sélectionner le mode martelage pour percer des matériaux rigides comme la brique, la céramique, le béton etc.

Utiliser des embouts avec pointe au carbure et sélectionner le mode de perçage pour percer des matériaux ayant une surface dure et friable comme les carreaux de céramique, etc.

Utiliser des forets hélicoïdaux, scies-cloches et autres puis sélectionner le mode de perçage pour percer des matériaux mous.

PERÇAGE/VISSER DE VIS

Voir la figure 12, page 12.

AVERTISSEMENT :

Toujours utiliser la poignée auxiliaire pendant l'utilisation de l'outil pour prévenir les réactions causées par le couple. La déformation par torsion ou le blocage de ce produit peut entraîner des blessures graves.

- Installer la poignée auxiliaire.
- Vérifier la position du sélecteur de rotation (rotation avant ou arrière).
- Utiliser la vitesse basse (low) **(1)** pour les applications exigeant beaucoup de puissance et de couple, et la élevée (high) **(2)** pour visser ou percer rapidement. Se reporter aux sections **Train d'engrenages à deux vitesses** et **Réglage du couple**.
- Bloquer la pièce de travail dans un étau ou avec des serre-joint pour l'empêcher de tourner avec le foret.
- Tenir solidement la perceuse et positionner le foret à l'endroit où percer ou visser.

AVERTISSEMENT :

Ne pas enfoncer de vis dans des surfaces pouvant dissimuler des fils électriques. En cas de contact avec un fil sous tension, les parties métalliques de l'outil seraient mises sous tension et probablement choc l'opérateur. Si vous devez enfoncer une vis dans un endroit où des fils électriques cachés peuvent être présents, tenir l'outil par les surfaces de prise isolées pour éviter un choc électrique.

- Appuyer sur la gâchette pour mettre le foret en rotation.
- Percer en appuyant assez de pression sur la perceuse pour que le foret morde dans le matériau. Ne pas forcer la perceuse ou appliquer une force latérale pour ovaliser le trou. Laisser l'outil faire le travail.

UTILISATION

AVERTISSEMENT :

Lors du perçage, se tenir prêt pour un blocage lorsque le foret traverse le matériau. Dans ces situations, la perceuse a tendance à être propulsée dans le sens contraire à la rotation, ce qui peut causer la perte de contrôle. Si l'opérateur n'est pas préparé, cette perte de contrôle peut entraîner des blessures graves.

- Avant de percer un matériau dur et lisse, poinçonner l'emplacement désiré du trou. Cette précaution empêchera le foret de glisser au départ du trou.
- Si le foret se bloque dans la pièce ou si la perceuse cale, l'arrêter immédiatement. Sortir le foret de la pièce et déterminer la raison du blocage.

NOTE : Cette perceuse est équipée d'un frein électrique. Lorsque la gâchette est relâchée, le mandrin cesse de tourner. Si le frein fonctionne correctement, des étincelles sont visibles au travers des trous d'aération du corps de la perceuse. Ces étincelles, causées par le fonctionnement du frein, sont normales.

PERÇAGE DU BOIS ET DU MÉTAL

Pour une performance optimale, utiliser des forets en acier haute vitesse pour percer le métal ou l'acier. Sélectionner le mode de perçage. Commencer le perçage à très basse vitesse pour éviter que la pointe du foret ne glisse.

Perçage du bois

- Augmenter la vitesse une fois que le foret a mordu dans le matériau.
- Lors du perçage de trous traversants, placer un morceau de bois derrière la pièce pour éviter l'éclatement du bord inférieur du trou.

Perçage du métal et de l'acier

- Avant de percer un matériau dur et lisse, poinçonner l'emplacement du trou. Cette précaution empêchera le foret de glisser au départ du trou.
- Appuyer sur la gâchette de façon à maintenir une vitesse ne causant pas la surchauffe du foret. Une pression excessive causerait :
 - La surchauffe de la perceuse ;
 - Une usure excessive des roulements ;
 - La déformation ou le brûlage du foret; et
 - Des trous décentrés ou de forme irrégulière.
- Lors du perçage de gros trous dans le métal, commencer avec un foret de petite taille avant d'élargir le trou avec un foret de plus grande taille.

PERÇAGE DE PIÈCES DE MAÇONNERIE

Pour une performance optimale, utiliser des embouts pour percussion avec bout enduit au carbure pour la maçonnerie ou des embouts conçus pour les marteaux perforateurs pour percer des trous dans la brique, le carrelage, le ciment, etc. Mettre le sélecteur sur le perçage de percussion.

- Pour un résultat optimal dans la brique, appliquer une pression légère et utiliser une vitesse moyenne.
- Exercer une pression plus forte pour percer les matériaux durs, tels que le béton.
- Avant de percer dans la brique, pratiquer sur une chute pour déterminer la pression et la vitesse optimales. Commencer le perçage à basse vitesse pour éviter que la pointe du foret ne glisse.

ENTRETIEN

AVERTISSEMENT :

Utiliser exclusivement des pièces d'origine pour les réparations. L'usage de toute autre pièce pourrait créer une situation dangereuse ou endommager l'produit.

ENTRETIEN GÉNÉRAL

Éviter d'utiliser des solvants pour le nettoyage des pièces en plastique. La plupart des matières plastiques peuvent être endommagées par divers types de solvants du commerce. Utiliser un chiffon propre pour éliminer la saleté, la poussière, l'huile, la graisse, etc.

ILLUSTRATIONS COMMENÇANT SUR 10 DE PAGE APRÈS LA SECTION ESPAGNOL.

Ce produit est accompagné d'une politique de satisfaction de 90 jours et d'une garantie limitée de trois (3) ans. Pour obtenir les détails de la garantie et de la politique, visiter le site www.RIDGID.com ou appeler (sans frais) au 1-866-539-1710.

ADVERTENCIAS DE SEGURIDAD GENERALES PARA LA HERRAMIENTA ELÉCTRICA



ADVERTENCIA

Lea todas las advertencias, instrucciones, ilustraciones y especificaciones proporcionadas con esta herramienta eléctrica. No seguir las instrucciones indicadas a continuación puede provocar descargas eléctricas, incendios o lesiones graves.

Guarde todas las advertencias e instrucciones para consultarlas en el futuro. El término “herramienta eléctrica” en las advertencias se refiere a las herramientas eléctricas que funcionan con corriente (con cordón) o las que funcionan con batería (inalámbricas).

ÁREA DE TRABAJO

- **Mantenga limpia y bien iluminada el área de trabajo.** Un área de trabajo mal despejada o mal iluminada propicia accidentes.
- **No utilice herramientas motorizadas en atmósferas explosivas, como las existentes alrededor de líquidos, gases y polvos inflamables.** Las herramientas eléctricas generan chispas que pueden encender el polvo y los vapores inflamables.
- **Mantenga alejados a los niños y circunstantes al maniobrar una herramienta eléctrica.** Toda distracción puede causar la pérdida del control de la herramienta.

SEGURIDAD ELÉCTRICA

- **Las clavijas de las herramientas eléctricas deben corresponder a las tomas de corriente donde se conectan. Nunca modifique la clavija de ninguna forma. No utilice ninguna clavija adaptadora con herramientas eléctricas dotadas de contacto a tierra.** Conectando las clavijas originales en las tomas de corriente donde corresponden se disminuye el riesgo de una descarga eléctrica.
- **Evite el contacto del cuerpo con las superficies de objetos conectados a tierra, como las tuberías, radiadores, estufas y refrigeradores.** Existe un mayor riesgo de descargas eléctricas si el cuerpo está haciendo tierra.
- **No exponga las herramientas eléctricas a la lluvia ni a condiciones de humedad.** La introducción de agua en una herramienta eléctrica aumenta el riesgo de descargas eléctricas.
- **No maltrate el cordón eléctrico. Nunca utilice el cordón para trasladar, desconectar o tirar de la herramienta eléctrica. Mantenga el cordón lejos del calor, aceite, bordes afilados y piezas móviles.** Los cordones eléctricos dañados o enredados aumentan el riesgo de descargas eléctricas.
- **Al utilizar una herramienta eléctrica a la intemperie, use un cordón de extensión apropiado para el exterior.** Usando un cordón adecuado para el exterior se disminuye el riesgo de descargas eléctricas.

- **Si debe operar una herramienta en lugares húmedos, use un suministro protegido por un interruptor de circuito con pérdida a tierra (GFCI).** El uso de un GFCI reduce el riesgo de descargas eléctricas.
- **Usar este producto únicamente con la baterías y el cargador indicados en el folleto de la herramienta/aparato/paquete de baterías/cargador complementario 988000-302.**

SEGURIDAD PERSONAL

- **Permanezca alerta, preste atención a lo que esté haciendo y aplique el sentido común al utilizar herramientas eléctricas. No utilice la herramienta eléctrica si está cansado o se encuentra bajo los efectos de alguna droga, alcohol o medicamento.** Un momento de inatención al utilizar una herramienta eléctrica puede causar lesiones corporales serias.
- **Utilice protección el equipo otros. Siempre póngase protección ocular.** El uso de equipo protector como mascarilla para el polvo, calzado de seguridad, casco y protección para los oídos en las circunstancias donde corresponda disminuye el riesgo de lesiones.
- **Evite que la herramienta se active accidentalmente. Asegúrese de que el interruptor esté en la posición de apagado antes de conectar la herramienta a un suministro de corriente o de colocar un paquete de baterías.** Transportar herramientas eléctricas con el dedo en el interruptor o enchufar herramientas eléctricas que tienen el interruptor encendido puede ocasionar accidentes.
- **Retire toda llave o herramienta de ajuste antes de encender la herramienta eléctrica.** Toda llave o herramienta de ajuste dejada en una pieza giratoria de la herramienta eléctrica puede causar lesiones.
- **No estire el cuerpo para alcanzar mayor distancia. Mantenga una postura firme y buen equilibrio en todo momento.** De esta manera se logra un mejor control de la herramienta eléctrica en situaciones inesperadas.
- **Vístase adecuadamente. No vista ropas holgadas ni joyas. Mantenga el cabello, la ropa y los guantes alejados de las piezas móviles.** Las ropas holgadas y las joyas, así como el cabello largo, pueden engancharse en las piezas móviles.
- **Si se suministran dispositivos para conectar mangueras de extracción y captación de polvo, asegúrese de que éstas estén bien conectadas y se usen correctamente.** El uso de la captación de polvo puede reducir los peligros relacionados con éste.
- **No permita que la familiaridad obtenida por el uso frecuente de las herramientas lo vuelva complaciente e ignore los principios de seguridad de las herramientas.** Una acción descuidada puede causar lesiones graves en una fracción de segundo.

ADVERTENCIAS DE SEGURIDAD GENERALES PARA LA HERRAMIENTA ELÉCTRICA

- **No vista ropas holgadas ni joyas. Recójase el cabello si está largo.** Las ropas holgadas y las joyas, así como el cabello largo, pueden resultar atraídas hacia el interior de las aberturas de ventilación.
- **No utilice la unidad al estar en una escalera o en un soporte inestable.** Una postura estable sobre una superficie sólida permite un mejor control de la herramienta eléctrica en situaciones inesperadas.

EMPLEO Y CUIDADO DE LA HERRAMIENTA ELÉCTRICA

- **No fuerce la herramienta eléctrica. Utilice la herramienta eléctrica adecuada para cada trabajo.** La herramienta eléctrica adecuada efectúa mejor y de manera más segura el trabajo, si además se maneja a la velocidad para la que está diseñada.
- **No utilice la herramienta si el interruptor no enciende o no apaga.** Cualquier herramienta eléctrica que no pueda controlarse con el interruptor es peligrosa y debe repararse.
- **Desconecte el enchufe de la fuente de alimentación o retire el paquete de baterías, si es desmontable, de la herramienta eléctrica antes de realizar ajustes, cambiar accesorios o almacenar herramientas eléctricas.** Tales medidas preventivas de seguridad reducen el riesgo de poner en marcha accidentalmente la herramienta.
- **Guarde las herramientas eléctricas desocupadas fuera del alcance de los niños y no permita que las utilicen personas no familiarizadas con las mismas o con estas instrucciones.** Las herramientas eléctricas son peligrosas en manos de personas no capacitadas en el uso de las mismas.
- **Mantenimiento de las herramientas eléctricas y accesorios. Revise para ver si hay desalineación o atoramiento de piezas móviles, ruptura de piezas o toda otra condición que pueda afectar el funcionamiento de la herramienta eléctrica. Si está dañada la herramienta eléctrica, permita que la reparen antes de usarla.** Numerosos accidentes son causados por herramientas eléctricas mal cuidadas.
- **Mantenga las herramientas de corte afiladas y limpias.** Las herramientas de corte bien cuidadas y con bordes bien afilados, tienen menos probabilidad de atascarse en la pieza de trabajo y son más fáciles de controlar.
- **Use la herramienta eléctrica, los accesorios, las brocas, etc. según estas instrucciones, teniendo en cuenta las condiciones de trabajo y la tarea que se va a realizar.** Si se utiliza la herramienta eléctrica para operaciones diferentes de las indicadas podría originar una situación peligrosa.

- **Mantenga los mangos y superficies de agarre limpias y libres de aceite y grasa.** Los mangos y superficies de agarre resbalosas no permiten la manipulación y control seguro de la herramienta en situaciones inesperadas.

EMPLEO Y CUIDADO DE LA HERRAMIENTA DE BATERÍAS

- **Sólo cargue el paquete de baterías con el cargador especificado por el fabricante.** Un cargador adecuado para un tipo paquete de baterías puede significar un riesgo de incendio si se emplea con un paquete de baterías diferente.
- **Utilice las herramientas eléctricas sólo con los paquetes de baterías específicamente indicados.** El empleo de paquetes de baterías diferentes puede presentar un riesgo de incendio.
- **Cuando no esté utilizándose el paquete de baterías, manténgalo lejos de otros objetos metálicos, como clips, monedas, llaves, clavos, tornillos o otros objetos metálicos, pequeños que puedan establecer conexión entre ambas terminales.** Establecer una conexión directa entre las dos terminales de las baterías puede causar quemaduras o incendios.
- **Si se maltratan las baterías, puede derramarse líquido de las mismas; evite todo contacto con éste. En caso de contacto, lávese con agua. Si el líquido llega a tocar los ojos, además busque atención médica.** El líquido de las baterías puede causar irritación y quemaduras.
- **No utilice un paquete de baterías o una herramienta que esté dañado o modificado.** Las baterías dañadas o modificadas pueden tener un funcionamiento impredecible que provoque incendios, explosiones o riesgo de lesiones.
- **No exponga el paquete de baterías o una herramienta al fuego o a temperaturas excesivas.** La exposición al fuego o a temperatura sobre los 130 °C (265 °F) puede provocar explosiones.
- **Siga todas las instrucciones de carga y no cargue el paquete de baterías ni la herramienta fuera del rango de temperaturas especificado en las instrucciones.** Si realiza la carga en forma incorrecta o fuera de las temperaturas del rango especificado puede dañar la batería y aumentar el riesgo de incendios.

SERVICIO

- **Permita que un técnico de reparación calificado preste servicio a la herramienta eléctrica, y sólo con piezas de repuesto idénticas.** De esta manera se mantiene la seguridad de la herramienta eléctrica.
- **Nunca repare paquetes de baterías dañados.** La reparación de paquetes de baterías solo puede ser realizada por el fabricante o proveedores de servicio autorizados.

ADVERTENCIAS DE SEGURIDAD DESTORNILLADOR PARA TORNILLOS EN TIRAS

INSTRUCCIONES DE SEGURIDAD PARA TODAS LAS OPERACIONES

- **Al utilizar taladros de impacto póngase protectores para los oídos.** La exposición a ruido puede producir la pérdida de la audición.
- **Utilice el o los mangos auxiliare(s).** Cualquier pérdida de control puede causar lesiones personales.
- **Amarre la herramienta de forma apropiada antes de usarla.** Esta herramienta produce un par de salida alto y, si no la amarra de manera apropiada durante el uso, podría perder el control y sufrir lesiones personales.
- **Sujete las herramientas eléctricas por las superficies aisladas de sujeción al efectuar una operación en la cual el accesorio de corte o los sujetadores pueda entrar en contacto con cables ocultos.** Todo contacto de una herramienta con un cable cargado carga las piezas metálicas expuestas de la herramienta y da una descarga eléctrica al operador.
- **Familiarícese con su herramienta eléctrica. Lea cuidadosamente el manual del operador. Aprenda sus usos y limitaciones, así como los posibles peligros específicos de esta herramienta eléctrica.** Con el cumplimiento de esta regla se reduce el riesgo de una descarga eléctrica, incendio o lesión seria.

INSTRUCCIONES DE SEGURIDAD PARA USAR BROCAS DE TALADRO LARGAS

- **Nunca use la unidad a velocidades más altas que la calificación de velocidad máxima de la broca para taladro.** A velocidades más altas, es posible que la broca se doble si se le permite girar de forma libre sin hacer contacto con la pieza de trabajo, lo que puede resultar en lesiones personales.
- **Siempre empiece a taladrar a una velocidad baja, asegurándose de que la punta de la broca haga contacto con la pieza de trabajo.** A velocidades más altas, es posible que la broca se doble si se le permite girar de forma libre sin hacer contacto con la pieza de trabajo, lo que puede resultar en lesiones personales.
- **Aplique presión solamente en línea directa con la broca y no lo haga de forma excesiva.** Las brocas pueden doblarse, romperse y causar la pérdida de control, lo que puede resultar en lesiones personales.




INSTRUCCIONES DE SEGURIDAD ADICIONALES

- **Siempre use protección ocular con laterales protectores con la marca de cumplimiento con la norma ANSI Z87.1 al ensamblar piezas, utilizar la herramienta o llevar a cabo tareas de mantenimiento.** Con el cumplimiento de esta regla se reduce el riesgo de lesiones corporales serias.






- **Protéjase los pulmones. Use una careta o mascarilla contra el polvo si la operación genera mucho polvo.** Con el cumplimiento de esta regla se reduce el riesgo de lesiones serias.
- **Protéjase los oídos. Durante períodos prolongados de utilización del producto, póngase protección para los oídos.** Con el cumplimiento de esta regla se reduce el riesgo de lesiones corporales serias.
- **No se necesita conectar a una toma de corriente las herramientas de baterías; por lo tanto, siempre están en condiciones de funcionamiento. Esté consciente de los posibles peligros cuando no esté usando la herramienta de baterías o cuando esté cambiando los accesorios de la misma.** Con el cumplimiento de esta regla se reduce el riesgo de una descarga eléctrica, incendio o lesión corporal seria.
- **No coloque herramientas de baterías ni las baterías mismas cerca del fuego o del calor.** De esta manera se reduce el riesgo de explosiones y de lesiones.
- **No aplaste, deje caer o dañe de baterías. Nunca utilice una batería o cargador que se ha caído, aplastado, recibido un golpe contundente o ha sido dañado(a) de alguna manera.** Las baterías dañadas pueden sufrir explosiones. Deseche de inmediato toda batería que haya sufrido una caída o cualquier daño.
- **Las baterías pueden explotar en presencia de fuentes de inflamación, como los pilotos de gas.** Para reducir el riesgo de lesiones serias, nunca use un producto inalámbrico en presencia de llamas expuestas. La explosión de una batería puede lanzar fragmentos y compuestos químicos. Si ha quedado expuesto a la explosión de una batería, lávese de inmediato con agua.
- **No cargue herramientas de baterías en lugares mojados o húmedos. No lo utilice, guarde o cargue la paquete de baterías o la unidad en lugares donde la temperatura sea inferior a 10 °C (50 °F) o superior a 38 °C (100 °F).** No guarde la herramienta a la intemperie ni en el interior de vehículos.
- **En condiciones extremas de uso o temperatura las baterías pueden emanar líquido. Si el líquido llega a tocarle la piel, lávese de inmediato con agua y jabón. Si le entra líquido en los ojos, láveselos con agua limpia por lo menos 10 minutos, y después busque de inmediato atención médica.** Con el cumplimiento de esta regla se reduce el riesgo de lesiones corporales serias.
- **Guarde estas instrucciones.** Consúltelas con frecuencia y empléelas para instruir a otras personas que puedan utilizar esta herramienta. Si presta a alguien esta herramienta, facilítele también las instrucciones.

SÍMBOLOS

Las siguientes palabras de señalización y sus significados tienen el objeto de explicar los niveles de riesgo relacionados con este producto.

SÍMBOLO	SEÑAL	SIGNIFICADO
	PELIGRO:	Indica una situación peligrosa, la cual, si no se evita, causará la muerte o lesiones serias.
	ADVERTENCIA:	Indica una situación peligrosa, la cual, si no se evita, podría causar la muerte o lesiones serias.
	PRECAUCIÓN:	Indica una situación peligrosa, la cual, si no se evita, podría causar lesiones menores o leves.
	AVISO:	(Sin el símbolo de alerta de seguridad) Indica la información que se considera importante, pero no relacionada con lesiones potenciales (por ej. en relación a daños a la propiedad).

Es posible que se empleen en este producto algunos de los siguientes símbolos. Le suplicamos estudiarlos y aprender su significado. Una correcta interpretación de estos símbolos le permitirá utilizar mejor y de manera más segura el producto.

SÍMBOLO	NOMBRE	DENOMINACIÓN/EXPLICACIÓN
	Alerta de seguridad	Indica un peligro posible de lesiones personales.
	Lea el manual del operador	Para reducir el riesgo de lesiones, el usuario debe leer y comprender el manual del operador antes de usar este producto.
	Protección ocular	Siempre póngase protección ocular con protección lateral con la marca de cumplimiento de la norma ANSI Z87.1.
	Alerta de condiciones húmedas	No exponga la unidad a la lluvia ni la use en lugares húmedos.
	Símbolo de reciclado	Este producto utiliza baterías de iones de litio (Li-ion). Es posible que algunas leyes municipales, estatales o federales prohíban desechar las baterías en la basura normal. Consulte a las autoridades reguladoras de desechos para obtener información en relación con las alternativas de reciclado y desecho disponibles.
V	Volts	Voltaje
min	Minutos	Tiempo
—	Corriente continua	Tipo o característica de corriente
n ₀	Velocidad en vacío	Velocidad de rotación, en vacío
.../min	Por minuto	Revoluciones, carreras, velocidad superficial, órbitas, etc., por minuto

CARACTERÍSTICAS

ESPECIFICACIONES DEL PRODUCTO

Velocidad en vacío 0-540/0-2 000/min (RPM)
 Golpes (Impactos) por minuto..... 0-8 500/0-31 000/min GPM
 Fuerza de torsión..... 146,88 Nm (1 300 lb-pulg.)

ARMADO

DESEMPAQUETADO

Este producto requiere armarse.

- Extraiga cuidadosamente de la caja la herramienta y los accesorios. Todos los elementos enumerados en la sección “**Incluye**” se deben incluir al momento de la compra.

ADVERTENCIA:

Las piezas incluidas en esta sección de *Armado* no vienen ensambladas en el producto de fábrica y requieren la instalación por parte del cliente. El uso de un producto que pueda haber sido armado de manera incorrecta podría provocar lesiones personales graves.

-
- Si des pièces manquent ou sont endommagées, appeler le 1-866-539-1710.

ADVERTENCIA:

Si falta o está dañada alguna pieza, no utilice este producto sin haber reemplazado la pieza. Usar este producto con partes dañadas o faltantes puede causar lesiones serias al operador.

ADVERTENCIA:

No intente modificar este producto ni hacer aditamentos ni accesorios no recomendados para el mismo. Cualquier alteración o modificación constituye maltrato el cual puede causar una condición peligrosa, y como consecuencia posibles lesiones corporales serias.

INSTALAR/RETIRAR DE MANGO AUXILIAR

Veá las figuras 1 y 2, página 10.

Un mango auxiliar se incluye para facilitar su manejo y ayudar a evitar la pérdida de control. El mango puede montarse para su uso con la mano izquierda o la derecha. El conjunto del mango auxiliar también se puede instalar en posición vertical, como se muestra.

Para instalar el mango auxiliar:

- Retire el paquete de baterías.
- Gire la empuñadura del mango hacia la izquierda para aflojarla y abra los ganchos lo suficiente como para que encajen en las costillas de montaje, detrás del anillo de ajuste de torsión.
- Coloque los ganchos sobre las costillas de montaje y asegúrese de que éstos estén ubicados en las ranuras, como se muestra.

NOTA: Asegúrese de que las ranuras dentro del mango auxiliar encajen en las lengüetas del alojamiento del taladro.

- Gire la empuñadura del mango hacia la derecha para ajustar. Asegúrese de que el conjunto del mango esté firme antes de empezar a utilizar la herramienta.

Para retirar el conjunto del mango e instalarlo en el lado opuesto:

- Gire la empuñadura del mango hacia la izquierda para aflojar y retirar el conjunto del mango.
- Vuelva a instalar el conjunto del mango en la posición deseada.

FUNCIONAMIENTO

ADVERTENCIA:

No permita que su familiarización con las herramientas lo vuelva descuidado. Tenga presente que un descuido de un instante es suficiente para causar una lesión grave.

ADVERTENCIA:

Siempre retire el paquete de baterías de la herramienta cuando esté ensamblando partes, realizando ajustes, limpiando o cuando ésta no esté en uso. Retirando el paquete de baterías se evita arrancar accidentalmente la unidad, lo cual puede causar lesiones serias.

ADVERTENCIA:

Siempre póngase protección ocular con protección lateral con la marca de cumplimiento de la norma ANSI Z87.1. Si no cumple esta advertencia, los objetos que salen despedidos pueden producirle lesiones serias en los ojos.

ADVERTENCIA:

No utilice ningún aditamento o accesorio no recomendado por el fabricante de esta producto. El empleo de aditamentos o accesorios no recomendados podría causar lesiones serias.

FUNCIONAMIENTO

APLICACIONES

Este producto puede emplearse para los fines siguientes:

- Taladrado de percusión en hormigón, ladrillo y otros tipos de mampostería
- Taladrado productos de madera (madera aserrada, madera contrachapada, paneles, madera compuesta y madera dura), cerámica, plásticos, fibra de vidrio y material laminado, y metales; Enroscar tornillos con puntas de destornillador

PROTECCIÓN CONTRA SOBRECARGAS

Cuando se fuerza la herramienta o se sobrecarga la herramienta se apagará automáticamente. Para reiniciar la herramienta, suelte el gatillo y reanude la operación. Si aun así no funciona, quite y vuelva a instalar el paquete de batería. No fuerce la herramienta.

INSTALACIÓN DE HOOK DEL CINTURÓN

See Figure 3, page 11.

El gancho para el cinturón se puede usar en cualquiera de los dos lados de la herramienta.

- Alinee el orificio de hook del cinturón con el orificio de base.
- Coloque el tornillo para asegurarla.
- Para desinstalarlo, retire el tornillo y luego extraiga el gancho para el cinturón.

GATILLO DEL INTERRUPTOR DE VELOCIDAD VARIABLE

Vea la figura 4, página 11.

El gatillo de velocidad variable produce mayor velocidad cuanto mayor presión se aplica en el gatillo, y menor velocidad cuanto menor presión se aplica en el mismo.

Para **ENCENDER** el taladro, oprima el gatillo del interruptor. Para **DETENER** el taladro, suelte el gatillo del interruptor y permita que se detenga completamente el portabrocas.

NOTA: Un silbido o zumbido que viene del interruptor durante el uso es una parte normal de la función del interruptor.

NOTA: Si se hace funcionar el taladro a baja velocidad en uso constante puede recalentarse. Si ocurre tal situación, enfríe el taladro poniéndolo a funcionar en vacío y a toda velocidad.

SELECTOR DE SENTIDO DE ROTACIÓN (MARCHA ADELANTE/ATRÁS/SEGURO EN EL CENTRO)

Vea la figura 4, página 11.

Ajuste el selector de sentido de rotación en la posición de **APAGADO** (seguro en el centro) para bloquear el gatillo del interruptor y ayudar a prevenir un arranque accidental cuando no esté en uso.

Ubique el selector de sentido de rotación a la izquierda del gatillo del interruptor para taladrar hacia adelante. Ubique el selector a la derecha del gatillo del interruptor para taladrar hacia atrás.

NOTA: El taladro no funciona a menos que se empuje el selector de dirección de giro completamente a la izquierda o derecha.

AVISO:

Para evitar dañar el engranaje, antes de cambiar el sentido de rotación siempre permita que se detenga completamente el portabrocas.



ADVERTENCIA:

Las herramientas de baterías siempre están en condiciones de funcionamiento. Bloquee el interruptor cuando no esté en uso o lo lleve a su lado, al instalar o extraer el paquete de baterías y al instalar o extraer brocas.

INSTALACIÓN/DESMONTAR DEL PAQUETE DE BATERÍAS

Vea la figura 5, página 11.

- Bloquee el gatillo del interruptor.
- Coloque el paquete de baterías en el producto como se muestra.
- Asegúrese de que los pestillos situados a ambos lados del paquete de baterías entren completamente en su lugar con un chasquido y de que el paquete quede bien asegurado en la herramienta antes de comenzar a utilizarla.
- Oprima los pestillos para extraer el paquete de baterías. Para obtener instrucciones específicas de carga, lea el manual del operador que se incluye con el cargador y la batería.

INSTALACIÓN/DESMONTAR DE LAS BROCAS

Vea las figuras 6 y 7, página 11.

Las flechas en el portabrocas sin llaves indican en qué dirección girar el cuerpo del portabrocas para apretar o soltar la broca. No utilice ninguna llave para apretar o aflojar las mangas del portobrocas.

- **Para instalar las brocas**, bloquee el gatillo del interruptor.
- Abra o cierre las mangas del portobrocas a tal punto que la abertura sea levemente más grande que la broca deseada.
- Levante la parte delantera del taladro ligeramente e inserte la broca.



ADVERTENCIA:

Asegúrese de introducir la broca recta en las mangas del portobrocas. No introduzca en ángulo la broca en las mangas del portobrocas para después apretarla. Podría causar que la broca salga disparada del taladro, y por consecuencia, posibles lesiones corporales serias, o daños al portabrocas.

- Tire el cuerpo del portabrocas para cerrar y apretar las mangas del portobrocas.

FUNCIONAMIENTO

ADVERTENCIA:

No sujete el cuerpo del portabrocas con una mano para usar la potencia del taladro con el fin de apretar la broca en las mordazas. El cuerpo del portabrocas podría resbalársele en la mano, o la mano misma podría resbalarse y llegar a tocar la broca girante. Esto podría causar un accidente, y como consecuencia lesiones corporales serias.

- **Para extraer las brocas**, bloquee el gatillo del interruptor y abra las mangas del portabrocas.
- La broca suministrada con el taladro pueden colocarse en el compartimiento situado en la base de la unidad.

DIODO LUMINISCENTE

Vea la figura 8, página 11.

Los LEDs emiten luz desde la parte delantera del portabrocas cuando se presiona el gatillo del interruptor o el interruptor del mango con luz.

Si no se está usando el taladro, la función de tiempo de espera hará que la luz comience a desvanecerse y que luego se apague la herramienta.

La luz de diodo luminiscente se enciende sólo cuando se coloca una batería cargada en la herramienta.

TREN DE ENGRANAJES DE DOS VELOCIDADES

Vea la figura 9, página 11.

- Seleccione velocidad baja (low) **(1)** para aplicaciones que requieran más potencia y par de torsión, como colocar tornillos y taladrar en metal.
- Seleccione la velocidad alta (high) **(2)** para aplicaciones rápidas con taladro o destornillador y para taladrar en madera o mampostería.

AVISO:

Nunca cambie de gama de velocidad mientras esté funcionando la herramienta. El incumplimiento de esta precaución puede producir daños serios en el taladro.

NOTA: Si tiene dificultades para cambiar de una gama de velocidad a la otra, gire con la mano el portabrocas hasta que embraguen los engranajes.

AJUSTE DE LA FUERZA DE TORSIÓN

Vea la figura 10, página 12.

Al utilizar el taladro-destornillador para diversas operaciones de atornillado, es necesario aumentar o disminuir la fuerza de torsión con el fin de evitar posibles daños a las cabezas o roscas de los tornillos, a la pieza de trabajo, etc. En general, la fuerza de torsión debe corresponder al diámetro del tornillo. Si la fuerza de torsión es demasiado elevada, o los tornillos demasiado pequeños, pueden dañarse o romperse los tornillos. La fuerza de torsión es mayor cuando el anillo de ajuste de la misma se pone en una marca alta. La fuerza de torsión es menor cuando el anillo de ajuste de la misma se pone en una marca baja.

NOTA: El anillo de ajuste de la fuerza de torsión solamente funciona con el modo de atornillado.

SELECCIÓN DEL MODO DE TALADRO, ATORNILLADO O PERCUSIÓN

Vea la figura 11, página 12.

- Seleccione el modo Drill (taladro) para taladrar y otras aplicaciones de trabajo pesado.
 - Seleccione Drive (destornillador) para atornillar.
 - Seleccione Hammer (percusión) para el taladro de percusión.
- Seleccione la opción para se ajuste mejor a su broca, el fijador y el material que está usando.
- Elija su aplicación.
 - Elija la velocidad correcta: baja **(1)** o alta **(2)**.
 - Elija el modo correcto: Drill (taladro), Drive (destornillador) o Hammer (percusión).

NOTA: El taladro de percusión no se diseñó para percusión inversa.

Utilice brocas con punta de carburo y seleccione el modo de percusión al taladrar en materiales duros como el ladrillo, hormigón, etc.

Utilice brocas puntas de carburo y seleccione el modo taladro al perforar materiales de superficies duras y quebradizas tal como la losa, etc.

Utilice brocas helicoidales, sierras caladoras, etc. y el modo taladro al perforar materiales blandos.

TALADRADO/INTRODUCCIÓN DE TORNILLOS

Vea la figura 10, página 11.

ADVERTENCIA:

Siempre utilice el mango auxiliar cuando emplee esta herramienta para resistir mejor las reacciones de fuerza de torsión. Si este producto se atora o se cala, se podrían producir lesiones personales graves.

- Instalar el mango auxiliar.
- Revise el selector de sentido de rotación para ver si está en la posición correcta (marcha adelante o atrás).
- Use velocidad baja (low) **(1)** para aplicaciones de alta fuerza de torsión y velocidad alta (high) **(2)** para aplicaciones rápidas de taladrado o con destornilladores. Consulte tren de **Tren de engranajes de dos velocidades** y **Auste de la fuerza de torsión**.
- Asegure la pieza de trabajo en una prensa o con abrazaderas para evitar que rote a medida que la broca gira.
- Sostenga firmemente el taladro y coloque la broca en el punto a taladrar o donde se colocará el tornillo.

FUNCIONAMIENTO

ADVERTENCIA:

No introduzca tornillos donde pudiera haber cables ocultos detrás de la superficie. Todo contacto de una herramienta con un cable cargado carga las piezas metálicas expuestas de la herramienta y da una descarga eléctrica posiblemente al operador. Si debe introducir tornillos donde pudiera haber cables ocultos, siempre sujete la herramienta por las superficies aisladas de sujeción (mango) al efectuar una operación para evitar una descarga eléctrica al operador.

- Oprima el gatillo del interruptor para encender el taladro.
- Introduzca la broca en la pieza de trabajo, aplicando la presión suficiente para mantener el corte de la broca. No fuerce el taladro ni aplique presión lateral para ovalar el orificio. Permita que la broca realice el trabajo.

ADVERTENCIA:

Al taladrar, esté preparado por si se atasca la broca al traspasar la pieza de trabajo. Cuando ocurren estas situaciones, el taladro presenta una tendencia a trabarse y dar un contragolpe en la dirección opuesta, y podría causar una pérdida de control al perforar el material. Si usted no está preparado, esta pérdida de control podría ser causa de lesiones serias.

- Al taladrar superficies lisas y duras, use un punzón para marcar la ubicación deseada del orificio. De esta manera se evita que la broca se desplace del centro al iniciar la perforación.
- Si se atasca la broca en la pieza de trabajo, o si se detiene el taladro, apague de inmediato la unidad. Retire la broca de la pieza de trabajo y determine la razón causante del atoramiento.

NOTA: Este taladro dispone de un freno eléctrico. Al soltarse el gatillo del interruptor, el portabrocas cesa de girar. Cuando el freno funciona correctamente, se observan chispas a través de las ranuras de ventilación del alojamiento del motor. Esto es normal y es la acción del freno.

MANTENIMIENTO

ADVERTENCIA:

Al dar servicio a la unidad, sólo utilice piezas de repuesto idénticas. El empleo de piezas diferentes podría causar un peligro o dañar el producto.

TALADRADO EN MADERA Y METAL

Para obtener un desempeño óptimo de la unidad, utilice brocas de acero de alta velocidad para taladrado en madera o en metal. Seleccione el modo de taladrado. Comience a taladrar a una velocidad muy baja para impedirle a la broca abandonar el punto inicial.

Taladrado en madera

- Aumente la velocidad a medida que la broca penetra en el material.
- Al taladrar orificios de lado a lado, coloque un bloque de madera detrás de la pieza de trabajo para evitar producir orillas deshilachadas o astilladas en la parte posterior del orificio.

Taladrado en metal y acero

- Aplique aceite de baja viscosidad en la broca para evitar el recalentamiento de la misma. El aceite prolonga la vida de servicio de la broca y aumenta la eficacia de la operación de taladrado.
- Mantenga una velocidad y una presión tales que permitan taladrar sin recalentar la broca. Si se aplica demasiada presión:
 - Se recalienta el taladro;
 - Se gastan los cojinetes;
 - Se doblan o queman las brocas; y
 - Se producen orificios descentrados o de forma irregular.
- Al taladrar agujeros grandes en metal, comience con una broca pequeña y luego termine con una grande.

TALADRADO EN OBRAS DE ALBAÑILERÍA

Para obtener un desempeño óptimo de la unidad, utilice brocas de impacto con puntas de carburo para albañilería al taladrar en ladrillo, azulejo, hormigón, etc. Select hammer mode.

- Para obtener resultados óptimos en ladrillo, aplique presión leve y velocidad mediana.
- En materiales duros como el hormigón, aplique presión adicional.
- Al taladrar orificios en azulejo o baldosa, practique con una pieza de desecho para determinar la mejor combinación de velocidad y presión. Comience a taladrar a una velocidad muy baja para impedirle a la broca abandonar el punto inicial.

MANTENIMIENTO GENERAL

Evite el empleo de solventes al limpiar piezas de plástico. La mayoría de los plásticos son susceptibles a diferentes tipos de solventes comerciales y pueden resultar dañados. Utilice paños limpios para eliminar la suciedad, el polvo, el aceite, la grasa, etc.

Este producto tiene una política de satisfacción garantizada de 90 días y una garantía limitada de tres años. Para obtener detalles sobre la garantía y la política de satisfacción garantizada, diríjase a www.RIDGID.com o llame sin cargo al 1-866-539-1710.

R8611506

- A - Two-speed gear train (train d'engrenages à deux vitesses, engranaje de dos velocidades)
- B - Mode selector (sélecteur de mode, selector de modo)
- C - Direction of rotation selector (forward/reverse/center lock) [sélecteur de sens de rotation (avant / arrière / verrouillage central), selector de sentido de rotación (marche adelante / marche atrás / seguro en el centro)]
- D - Torque adjustment ring (bague de mode de percussion, anillo selector del modo de taladrado de percusión)
- E - Keyless chuck (mandrin sans clé, portabrocas de apriete sin llave)
- F - Variable speed switch trigger (gâchette de commande de vitesse variable, gatillo del interruptor de velocidad variable)
- G - LED light (lampes à del, luz de trabajo de diodo luminescente)
- H - LED Grip light switch (interrupteur de la lampe DEL de la poignée, interruptor de luz de diodo luminescente en el mango)
- I - Bit storage (rangement d'embouts, compartimiento de puntas)
- J - Auxiliary handle (poignée auxiliaire, mango auxiliar)
- K - Belt hook (crochet de ceinture, gancho para el cinto)

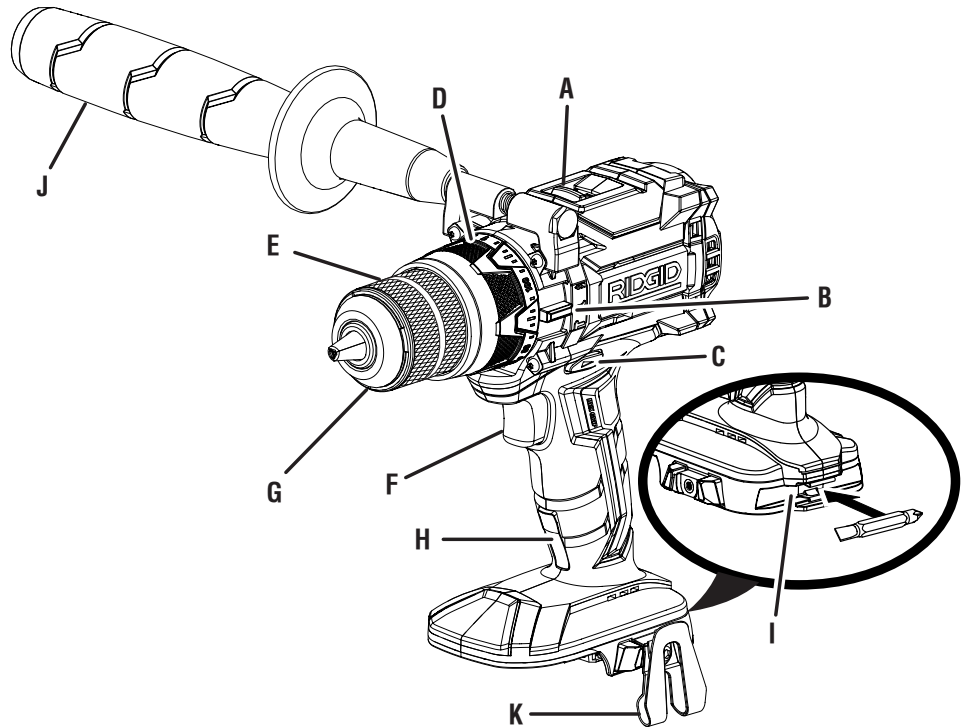
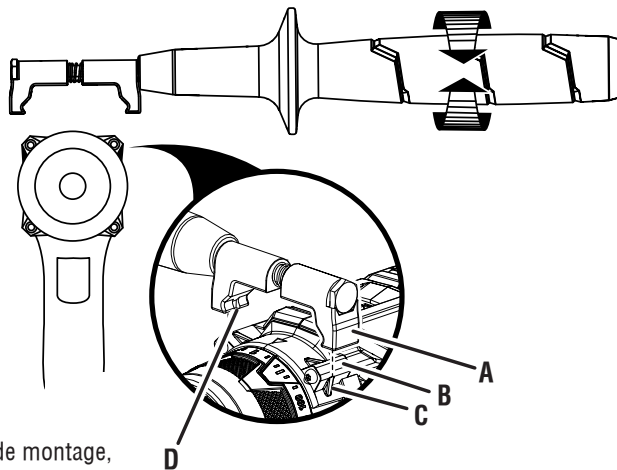
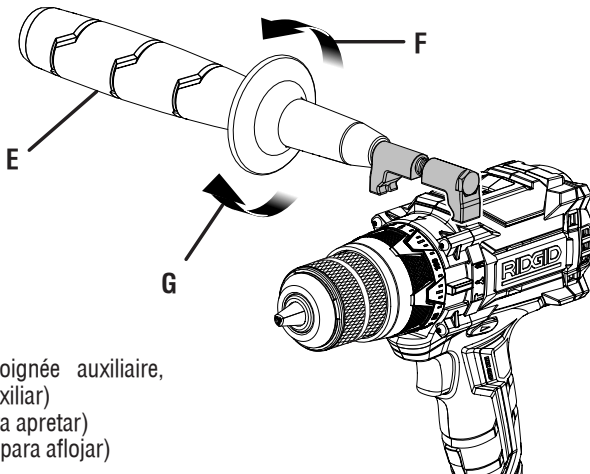


Fig. 1

FRONT VIEW OF CHUCK
VUE DE FACE DU MANDRIN VISTA
FRONTAL DEL PORTABROCAS



- A - Hooks (crochets, ganchos)
- B - Mounting ribs (nervures de montage, costillas de montaje)
- C - Tabs (languettes, lengüetas)
- D - Notches (encoches, muescas)



- E - Auxiliary handle grip (poignée auxiliaire, empuñadura del mango auxiliar)
- F - To tighten (pour serrer, para apretar)
- G - To loosen (pour desserrer, para aflojar)

Fig. 2

AUXILIARY HANDLE POSITION OPTIONS
OPTIONS DE POSITION DE LA POIGNÉE AUXILIAIRE
OPCIONES DE POSICIÓN DEL MANGO AUXILIAR

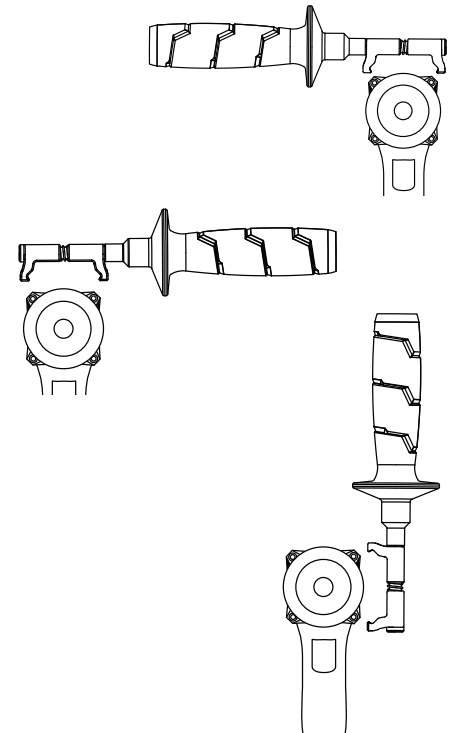
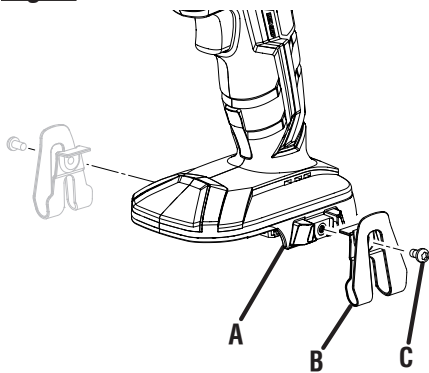
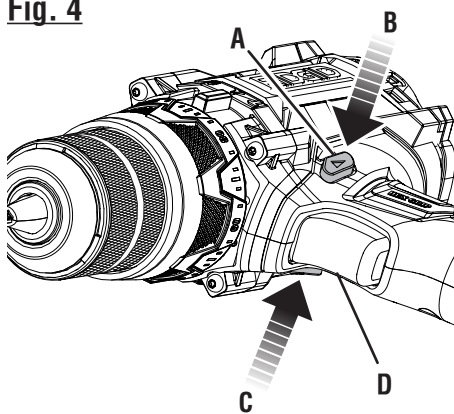


Fig. 3



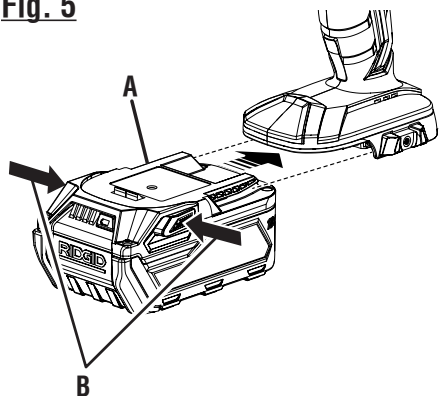
- A - Base (base, base)
- B - Belt hook (crochet de ceinture, gancho para el cinto)
- C - Screw (vis, tornillo)

Fig. 4



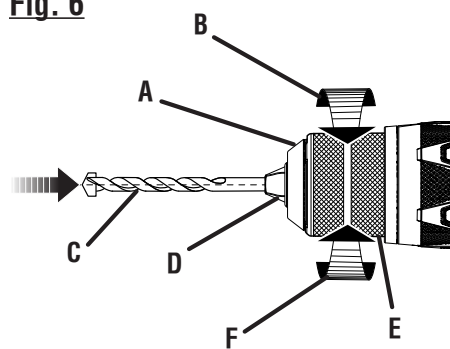
- A - Direction of rotation selector (sélecteur de sens de rotation, selector de sentido de rotación)
- B - Reverse (arrière, adelante)
- C - Forward (avant, atrás)
- D - Variable speed switch trigger (gâchette de commande de vitesse variable, gatillo del interruptor de velocidad variable)

Fig. 5



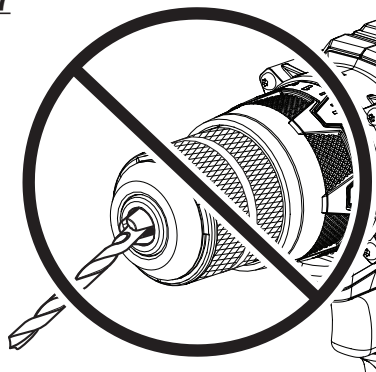
- A - Battery pack (bloc-pile, paquete de baterías)
- B - Depress latches to release battery pack (appuyer sur les loquets pour libérer le bloc-pile, para soltar el paquete de baterías oprima los pestillos)

Fig. 6



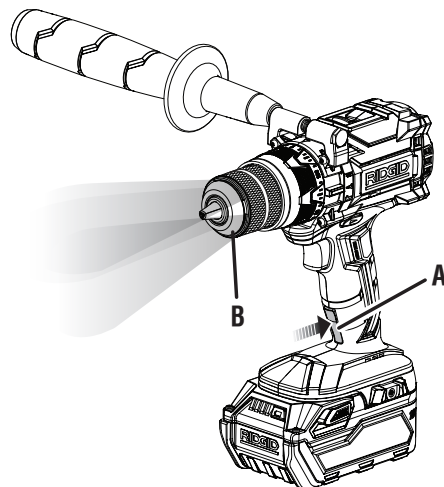
- A - Keyless chuck (mandrin sans clé, portabrocas de apriete sin llave)
- B - LOCK [LOCK (serrage), LOCK (apretar)]
- C - Drill bit (foret, broca)
- D - Chuck jaws (mors du mandrin, mordazas del portabrocas)
- E - Chuck body (corps du mandrin, cuerpo del portabroca)
- F - UNLOCK [UNLOCK (desserrage), UNLOCK (aflojar)]

Fig. 7



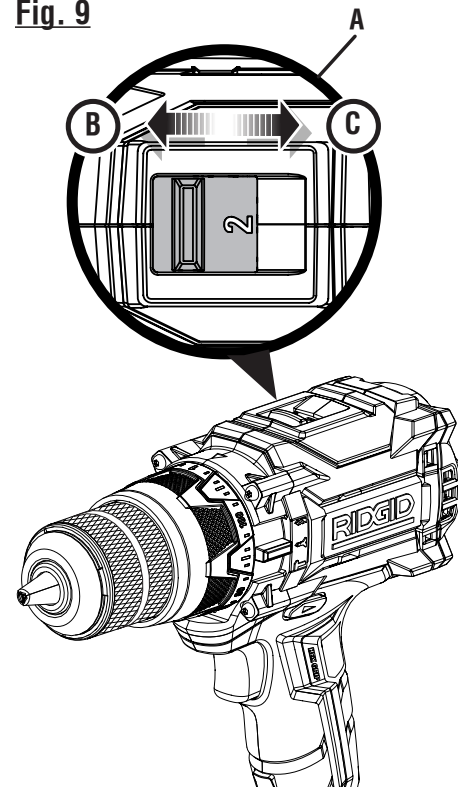
**WRONG / INCORRECT /
FORMA INCORRECTA**

Fig. 8



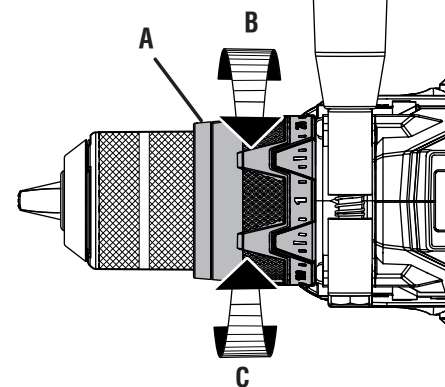
- A - LED grip light switch (interrupteur de la lampe DEL de la poignée, interruptor de luz de diodo luminiscente en el mango)
- B - LED light (lampe dél, diodo luminiscente)

Fig. 9



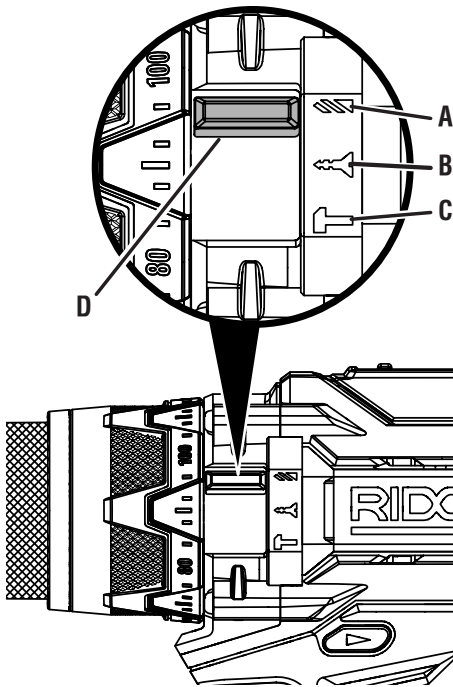
- A - Two-speed gear train (high-low) [train d'engrenages à deux vitesses (haute et basse), engranaje de dos velocidades (alta-baja)]
- B - High speed (2) [haute vitesse (2), alta velocidad (2)]
- C - Low speed (1) [haute vitesse (1), alta velocidad (1)]

Fig. 10



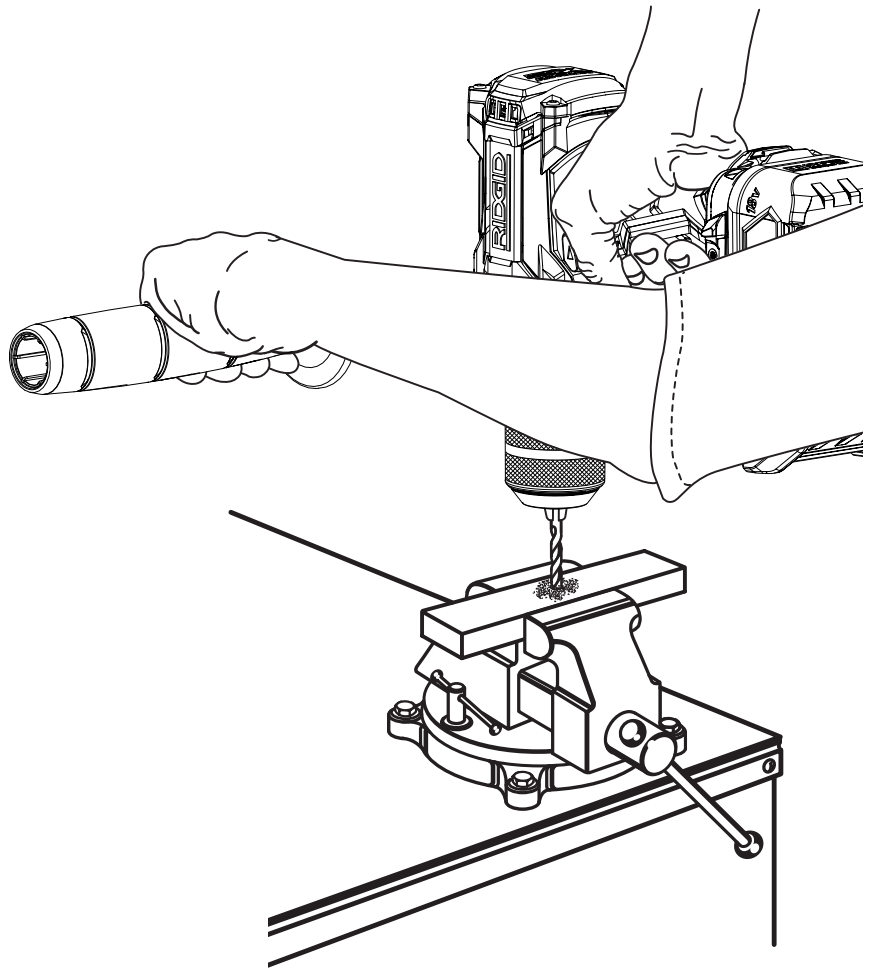
- A - Torque adjustment ring (bague de réglage du couple, anillo de ajuste)
- B - To increase torque (pour augmenter le couple, para aumentar la fuerza de torsión)
- C - To decrease torque (pour réduire le couple, para disminuir la fuerza de torsión)

Fig. 11



- A - Drill mode (torque adjustment not active), [mode de perçage (réglage du couple désactivé), modo de taladrado (ajuste de fuerza de torsión inactivo)]
- B - Drive mode (mode de vissage, modo de atornillado)
- C - Hammer mode (torque adjustment not active) [mode de percussion (réglage du couple désactivé), modo de percusión (ajuste de fuerza de torsión no active)]
- D - Mode selector (sélecteur de mode, anillo de cambio de modo)

Fig. 12



OPERATOR'S MANUAL

MANUEL D'UTILISATION

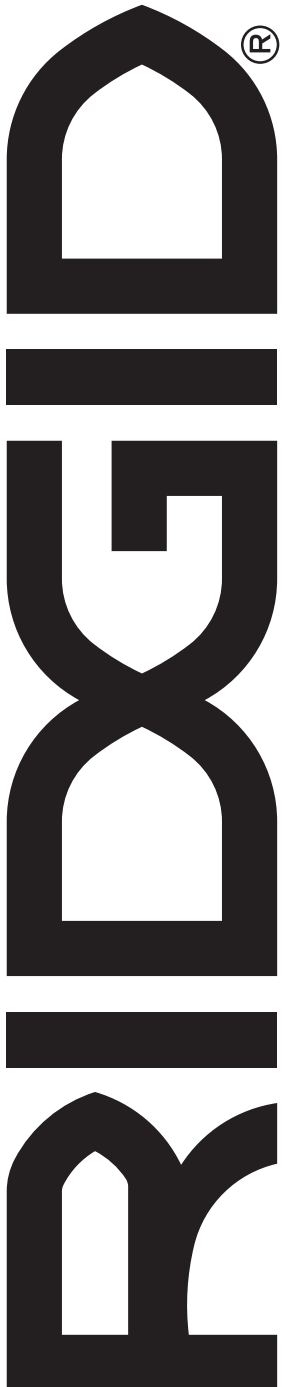
MANUAL DEL OPERADOR

18 VOLT 2-SPEED HAMMER DRILL

PERCEUSE À PERCUSSION 2 VITESSES 18 V

TALADRO DE PERCUSIÓN DE 2 VELOCIDADES DE 18 V

R8611506



Customer Service Information:

For parts or service, do not return this product to the store. Contact your nearest RIDGID® authorized service center. Be sure to provide all relevant information when you call or visit. For the location of the authorized service center nearest you, please call 1-866-539-1710 or visit us online at www.RIDGID.com.

MODEL NO. _____ SERIAL NO. _____

Service après-vente :

Pour acheter des pièces ou pour un dépannage, ne pas retourner ce produit au magasin. Contacter le centre de réparations RIDGID® agréé le plus proche. Veiller à fournir toutes les informations pertinentes lors de tout appel téléphonique ou visite. Pour obtenir l'adresse du centre de réparations agréé le plus proche, téléphoner au 1-866-539-1710 ou visiter notre site www.RIDGID.com.

NO. DE MODÈLE _____ NO. DE SÉRIE _____

Información sobre servicio al consumidor:

Para piezas de repuesto o servicio, no devuelva este producto a la tienda. Comuníquese con el centro de servicio autorizado de productos RIDGID® de su preferencia. Asegúrese de proporcionar todos los datos pertinentes al llamar o al presentarse personalmente. Para obtener información sobre el centro de servicio autorizado más cercano a usted, le suplicamos llamar al 1-866-539-1710 o visitar nuestro sitio en la red mundial, en la dirección www.RIDGID.com.

NÚM. DE MODELO _____ NÚM. DE SERIE _____

ONE WORLD TECHNOLOGIES, INC.

P.O. Box 1427
Anderson, SC 29622 USA
1-866-539-1710 ■ www.RIDGID.com

RIDGID is a registered trademark of RIDGID, Inc., used under license.

995000346
8-24-18 (REV:02)