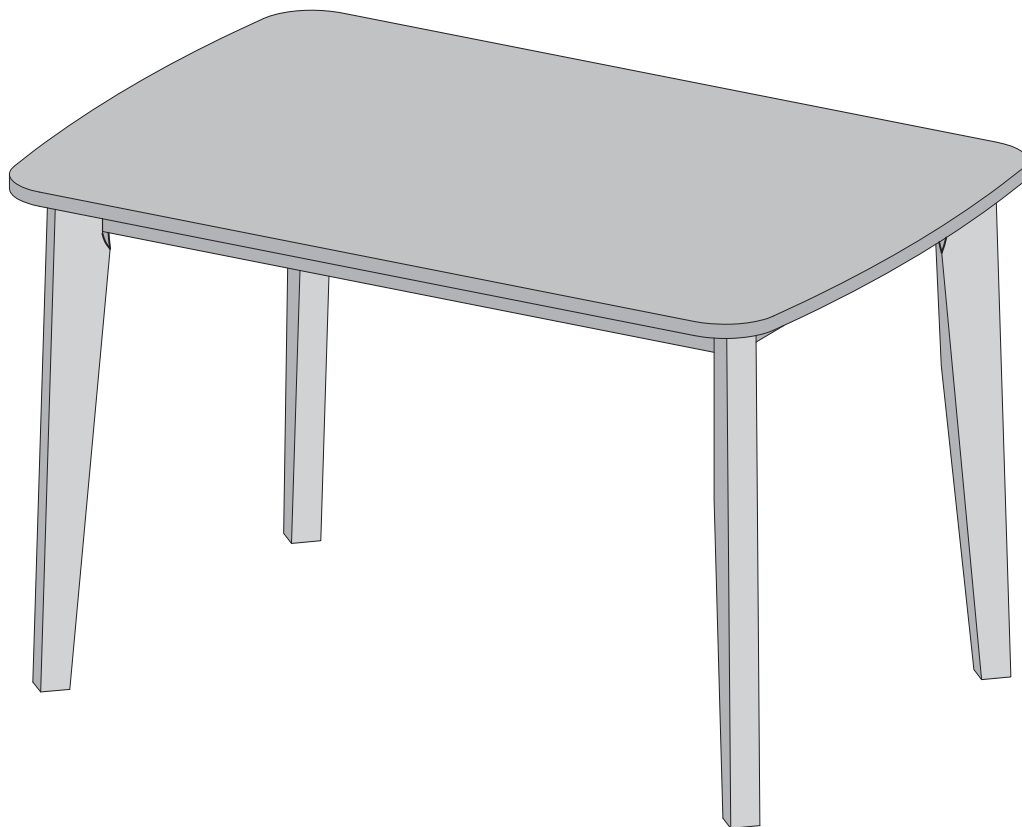


WE Walker[®]
Edison
furniture company

Item # : TW60RMW
Assembly Instructions



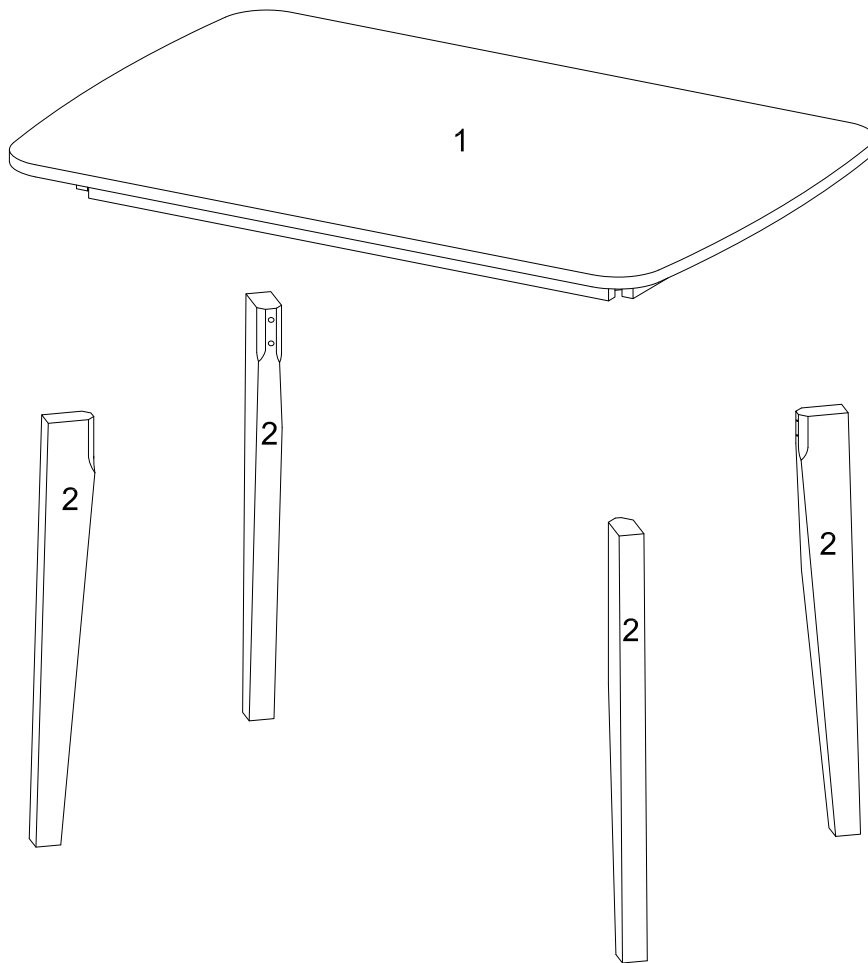
*To request missing, lost or broken parts , or for any other customer service issues,
please visit our website at www.walkeredison.com or call us at 877-207-5906.*

Revised 05/2016

General Assembly Guidelines

- I. Ensure that all parts and hardware are available before beginning assembly.
- II. Follow each step carefully to ensure the proper assembly of this product.
- III. Two people are recommended for ease in the assembly of this product.
- IV. The three main types of hardware used to assemble this product are : bolt , spring washer , and washer.

Parts List

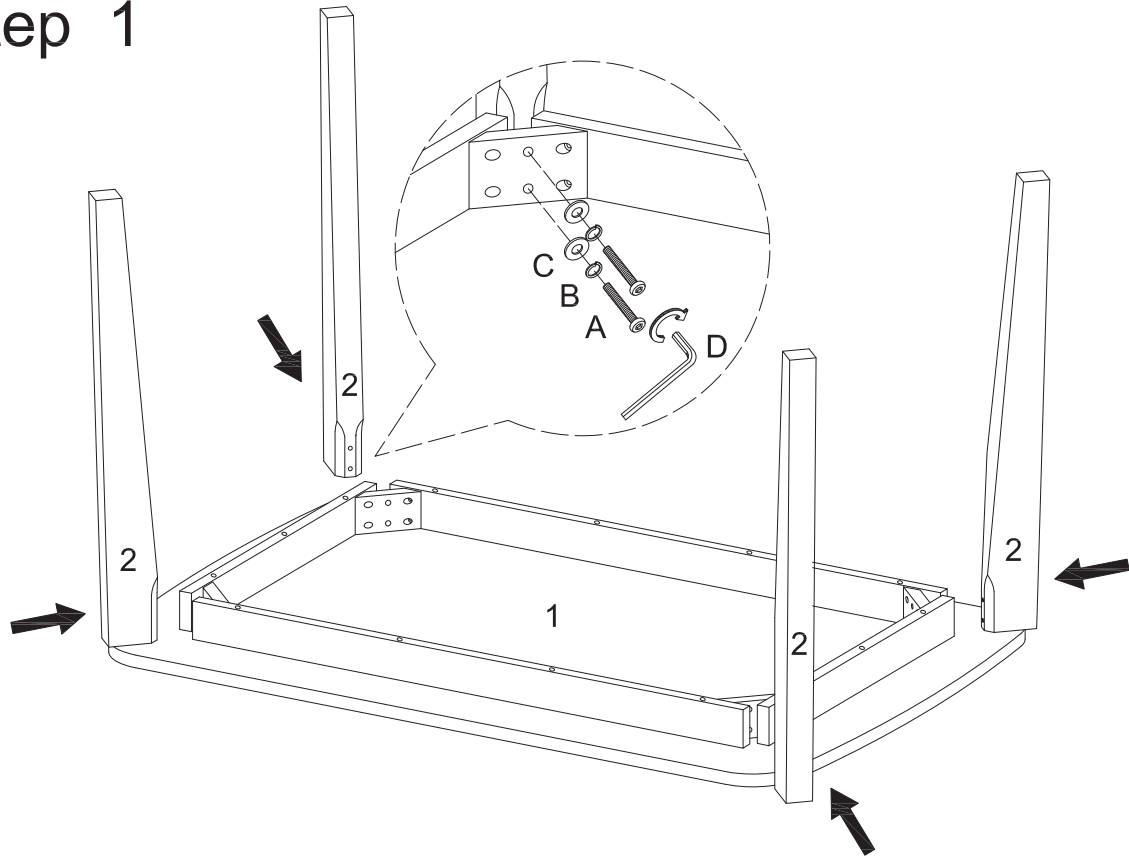


Hardware List

| | | | | |
|---|---|---------|---------------|-------|
| A |  | M6*80mm | Bolt | 8 pcs |
| B |  | Ø1/4" | Spring washer | 8 pcs |
| C |  | Ø1/4" | Washer | 8 pcs |
| D |  | M4mm | Wrench | 1 pc |

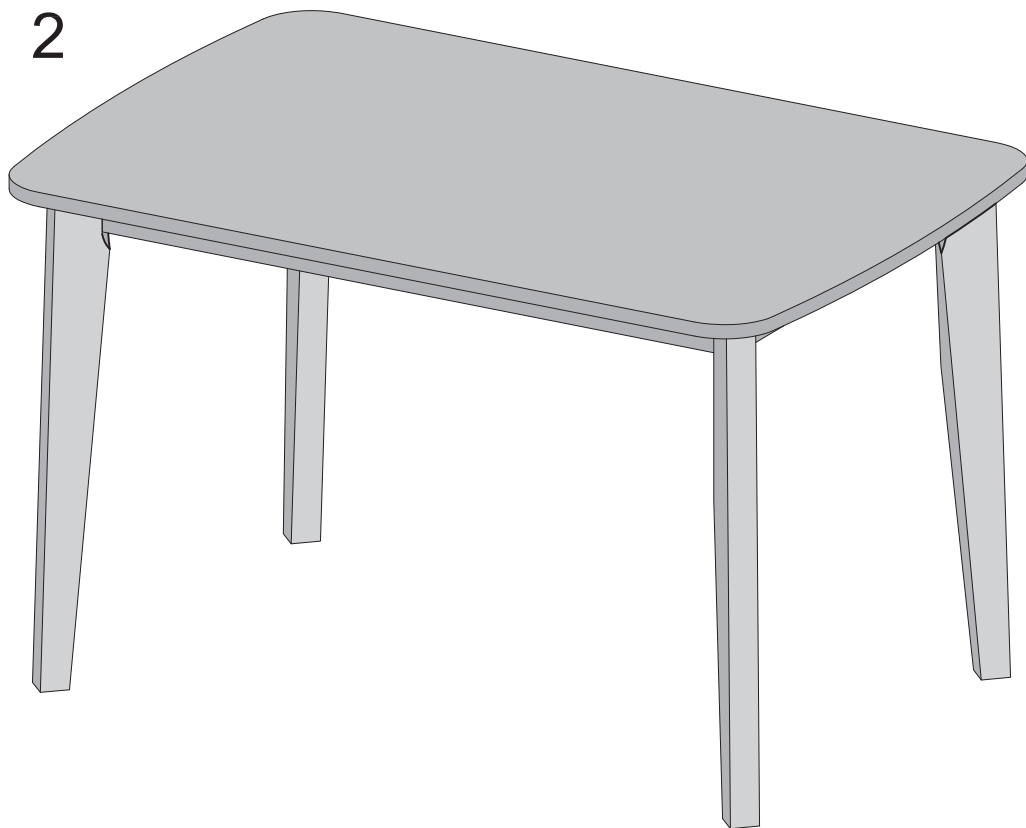
*The hardware quantities listed above are required for proper assembly.
Some extra hardware may also have been included.*

Step 1



Attach the legs (2) to the table top (1) and secure it with washer (C), spring washer (B), bolt (A) and wrench (D).

Step 2



Final Assembly