

BELMONT I – BUILDERS' CHOICE

59 1/8 x 40 3/16 x 23 7/8
inches

SOAKER MODEL #3960620

WHIRLPOOL MODEL #3960621

AIR BATH MODEL #3960620A



* Note: Availability of individual models varies by Regional Servicing Plant.
Please consult your price list and/or A/B model list for availability in your area.

COLOR & TRIM OPTIONS

Stock

Bone
Biscuit
White

AVAILABLE SYSTEMS

WHIRLPOOL

- 8 whirlpool hydrotherapy jets including:
 - High-flow directional jets
 - Low-profile spinning micro-jets
 - .75 hp pump
 - Pneumatic on/off control
 - Advanced safety suction system
 - Factory run-tested

AIR BATH

- Perimeter air system
- Single-speed heated-air blower with automated purge-and-dry cycle
- Pneumatic on/off control
- Factory run-tested



AQUATIC
The bath people

FEATURES (ALL MODELS)

- Slip-resistant floor
- Pre-leveled base
- Lucite® cast acrylic surface
- Limited 10-year warranty
- UL and IAPMO listed

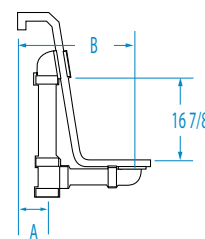
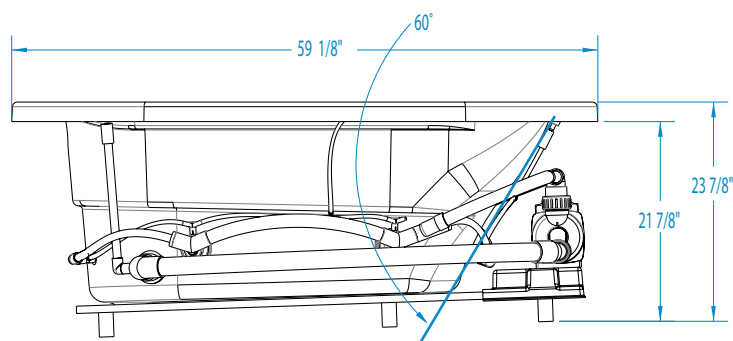
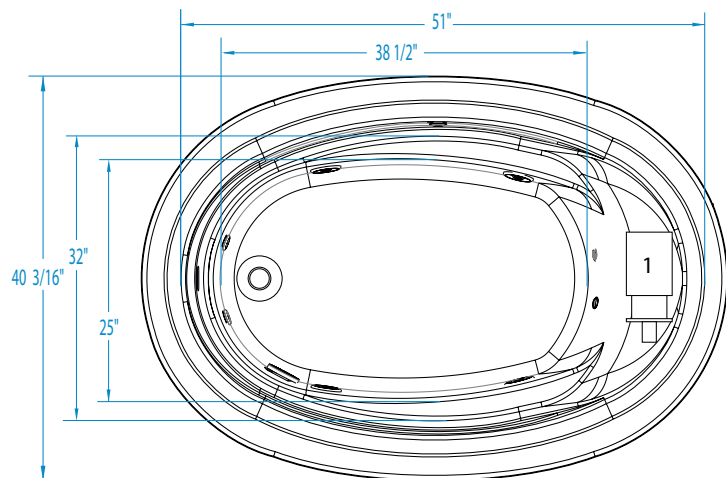
OPTIONS

- Comfort pillow:
Biscuit, Black, White
- 1.5kW inline maintenance heater
(whirlpool only)
- Cable drive waste & overflow:
Chrome, Oil Rubbed Bronze,
Polished Brass, Brushed Nickel,
Color Matched (Biscuit, Bone, White)
- Lift & turn waste & overflow:
Chrome, Oil Rubbed Bronze,
Polished Brass, Brushed Nickel



BELMONT I

59 1/8" x 40 3/16" x 23 7/8"
inches



FEATURES

Dimensional Tolerance ± 3/8". Dimensions needed for site preparation should be measured from the unit. Aquatic assumes no responsibility for preparatory work.

| Type and Model # | Material | Jets | Pump | Heater | Controls | Drain | Pkg. Wt. lbs |
|--------------------|----------|------|---------|-------------------------|-----------|-----------|--------------|
| Soaker #3960620 | Acrylic | 0 | - | - | - | Universal | 104 |
| Whirlpool #3960621 | Acrylic | 8 | 0.75 HP | 1.5kW inline (optional) | Pneumatic | Universal | 154 |
| Air Bath #3960620A | Acrylic | 0 | - | Inline | Pneumatic | Universal | 134 |

DIMENSIONS inches

| Width Overall / Net | Depth Overall / Net | Height Overall / Net | Skirt Height |
|---------------------|---------------------|----------------------|--------------|
| 59 1/8 | 40 3/16 | 23 7/8 / 21 7/8 | - |

SUMP DATA inches

| Capacity to Overflow gal | Min. Operating Capacity gal | WIDTH @ centerline | | DEPTH @ centerline | |
|--------------------------|-----------------------------|--------------------|--------|--------------------|--------|
| | | Top | Bottom | Top | Bottom |
| 57 | 44 | 51 | 38 1/2 | 32 | 25 |

PLUMBING DIMENSIONS inches

| A | B | Drain to Overflow | Drain Diameter / Clearance |
|---|--------|-------------------|----------------------------|
| 2 | 10 5/8 | 16 7/8 | 2 / 1 7/8 |

ELECTRICAL DATA

| Component | Specification | Requirement |
|-----------------------------------|----------------------|--|
| Pump | .75 HP; 5 AMP; 120 V | 15 AMP; 120V, separate circuit; Class A GFCI |
| Optional Heater (whirlpool model) | 1.5KW; 12 AMP; 120 V | 15 AMP; 120V, separate circuit; Class A GFCI |
| Heated Blower | 5 AMP; 120 V | 15 AMP; 120V, separate circuit; Class A GFCI |

NOTES:

1) Where applicable, utilize cut-out templates packed with unit for deck cutouts.

2) 16 x 16 minimum access required at pump/blower location(s).

Each air bath is equipped with an air heating system to raise the temperature of the air entering the bath. This air temperature will be lower than the bathing temperature of the water, but will help reduce rapid decrease in water temperature. In addition, the air coming from the air jets will feel cool against the skin. This system does not heat the water.