

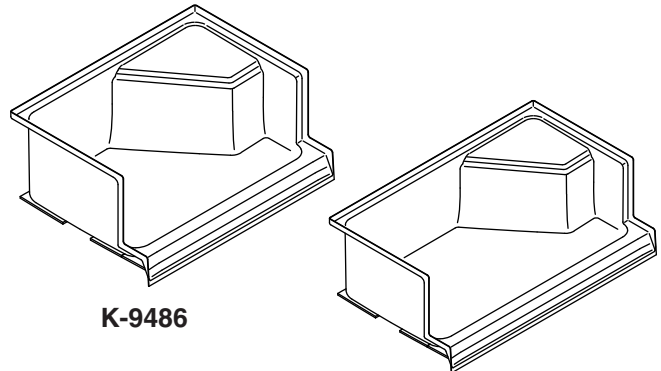
### Features

- Acrylic
- Reinforced with fiberglass (FRP)
- One-piece configuration
- Integral seat on left or right
- Drain hole on left or right
- For alcove installations
- Complements the Memoirs® Suite
- 48" (1219 mm) x 36" (914 mm) x 21" (533 mm) [K-9486 and K-9488]
- 60" (1524 mm) x 36" (914 mm) x 21" (533 mm) [K-9489 and K-9496]

### ACRYLIC SHOWER BASE WITH INTEGRAL SEAT

## K-9486

ALSO K-9488, K-9489, K-9496



### Codes/Standards Applicable

Specified model meets or exceeds the following:

- CSA B45.5/IAPMO Z124

### Colors/Finishes

- 0: White
- Other: Refer to Price Book for additional colors/finishes

### Accessories

- CP: Polished Chrome
- PB: Vibrant® Polished Brass
- NA: None applicable
- Other: Refer to Price Book for additional colors/finishes

### Specified Model

Model	Description	Colors/Finishes	
K-9486	48" (1219 mm) shower base - integral seat at right, drain hole at left (shown)	<input type="checkbox"/> 0	<input type="checkbox"/> Other _____
K-9488	48" (1219 mm) shower base - integral seat at left, drain hole at right	<input type="checkbox"/> 0	<input type="checkbox"/> Other _____
K-9489	60" (1524 mm) shower base - integral seat at right, drain hole at left (shown)	<input type="checkbox"/> 0	<input type="checkbox"/> Other _____
K-9496	60" (1524 mm) shower base - integral seat at left, drain hole at right	<input type="checkbox"/> 0	<input type="checkbox"/> Other _____
<b>Required Accessories</b>			
K-9132	Shower drain	<input type="checkbox"/> CP	<input type="checkbox"/> PB <input type="checkbox"/> Other _____

### Product Specification

The acrylic shower base with integral seat shall be 48" (1219 mm) in length, 36" (914 mm) in width, and 21" (533 mm) in height [K-9486, K-9488] or 60" (1524 mm) in length, 36" (914 mm) in width, and 21" (533 mm) in height [K-9489, K-9496]. Shower base shall be reinforced with fiberglass (FRP), one-piece configuration, and for alcove installations. Shower base shall be available with integral seat on left and drain hole on right or integral seat on right and drain hole on left. Shower base shall complement the Memoirs® Suite. Shower base shall be Kohler Model K-\_\_\_\_\_-\_\_\_\_\_.

# MEMOIRS®

## Recommended Accessories

K-1708	7 kW Fast-Response™ steam generator [K-9486, K-9488]	<input type="checkbox"/> NA
K-1733	9 kW Fast-Response™ steam generator [K-9489, K-9496]	<input type="checkbox"/> NA

## Optional Accessories

Refer to the Fixtures Price Book for shower door selections, glass options, and color information.

## Technical Information

Fixture:	
Weight	70 lbs (31.8 kg) for 48" (1219 mm) models 94 lbs (42.6 kg) for 60" (1524 mm) models
Configuration	one-piece
Drain hole	Ø 3-3/8" (86 mm)

## Installation Notes

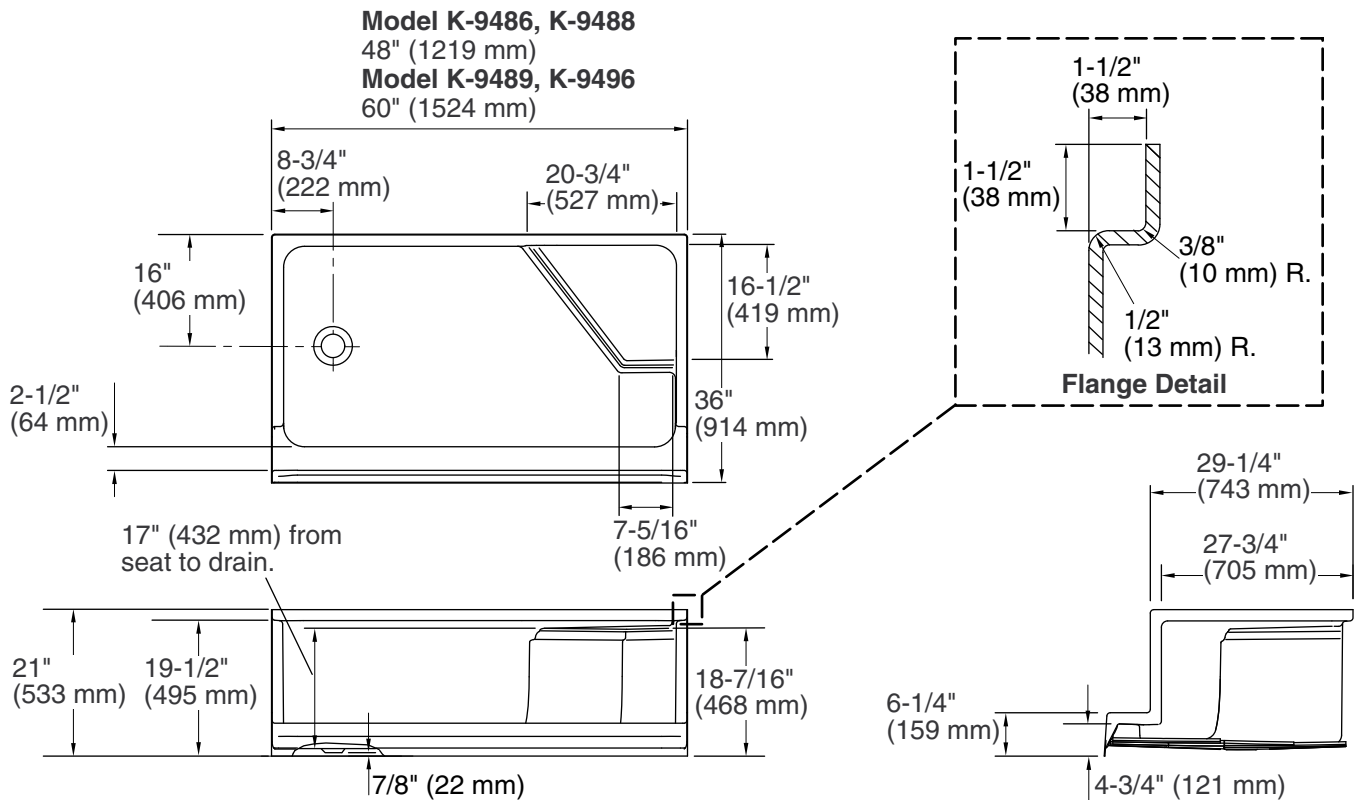
Install this product according to the installation guide.

Shimming may be required to level the fixture.

Shimming may be required between the stud frame and the fixture.

The stud opening tolerance is +1/4" (6 mm), -0" (0 mm).

When fire rated construction is specified, dimensions are to the inside of the fire-rated wall.



## Product Diagram