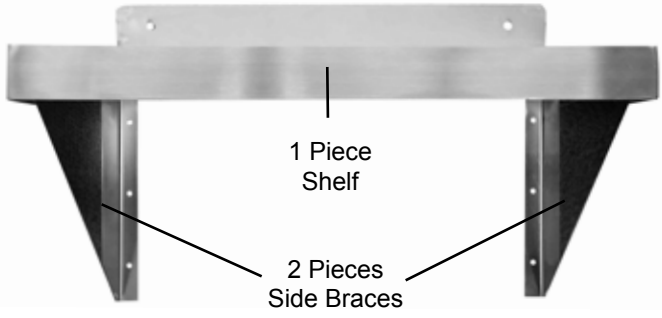


# Stainless Steel Work Shelf Assembly Instructions


**PARTS LIST**




1 Piece Shelf

2 Pieces Side Braces


6 Pieces Long Screws




4 Pieces Short Screws



6 Pieces Screws Wall Anchors



4 Pieces Cap Nuts



**1**

Locate shelf and 2 pieces side braces.

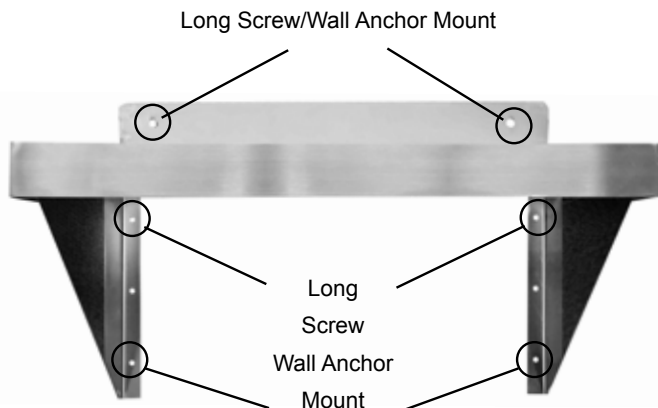
Assemble side braces as illustrated.



**2**

Locate short screws and cap nuts.

Attach side braces using 2 short screws and cap nuts for each side.



**3**

Mount to wall using long screws (add wall anchors if necessary).