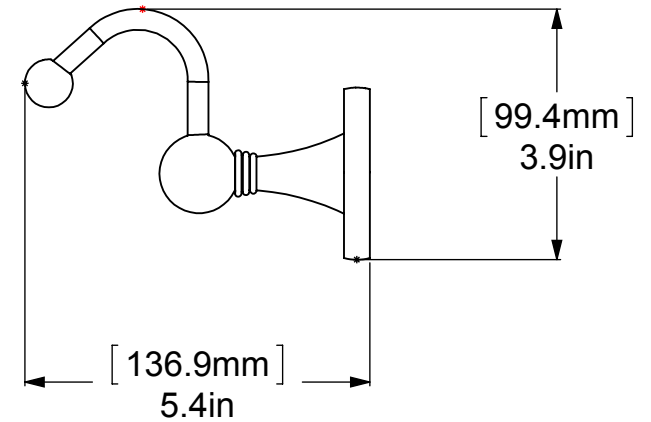
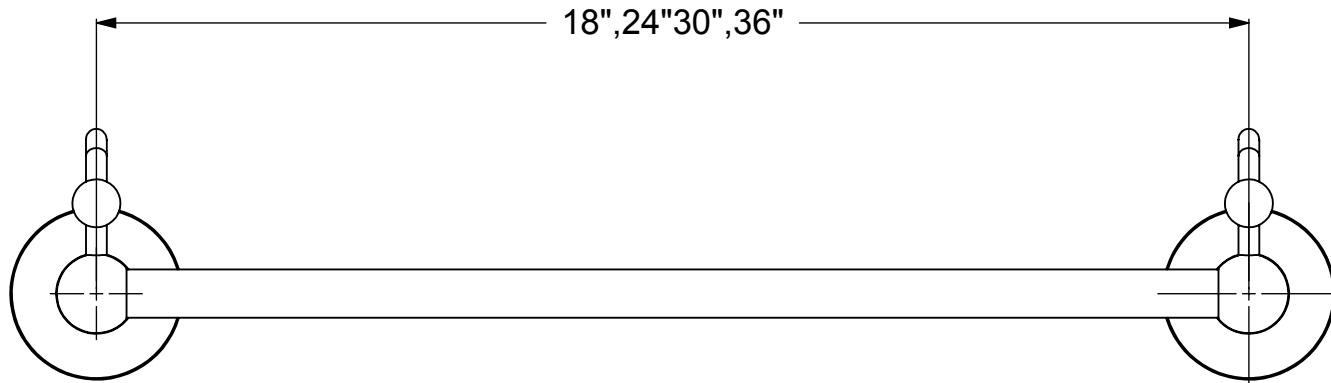
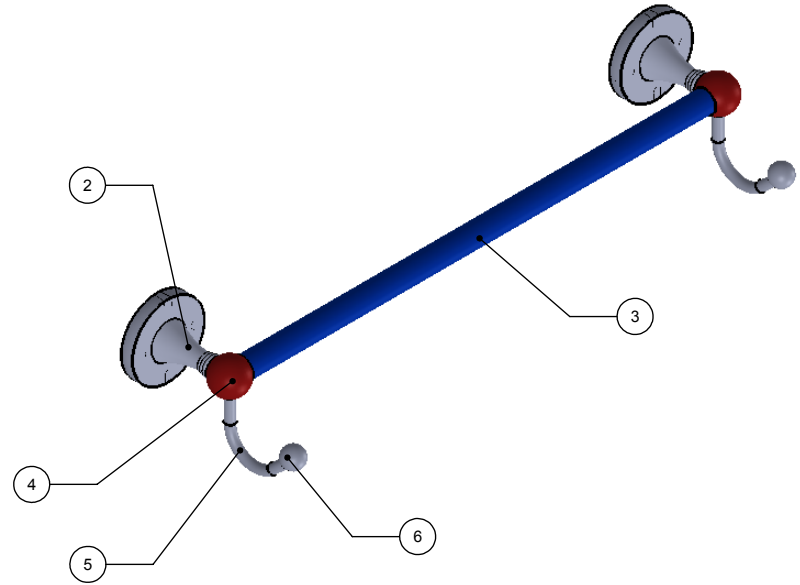
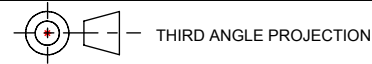



ITEM NO.	P/N	Description	QTY.
1	BPRD	BACKPLATE	2
2	SGTBPOST	POST	2
3	TU12-18,24,30,36	TUBE	1
4	BL34ST-1.25	LOCK	2
5	HKHK	PIPE	2
6	BL1T-34	END BALL	2



UNLESS OTHERWISE STATED	
.X	±.3mm
.XX	±.15mm
.XXX	±.008mm

COPYRIGHT © Allied Brass 2016



DRAWN	3/23/2017	I.M	MATERIAL:	BRASS		FINISH	TBD
CHECKED	3/23/2017	P.D	DESCRIPTION:	Shadwell Collection Towel Bar with Integrated Hooks 	QUANTITY	TBD	
APPROVED	3/23/2017	R.A	DRAWING No.		SL-41HK	REV	0
SCALE		1:3	SHEET: 01		A4		