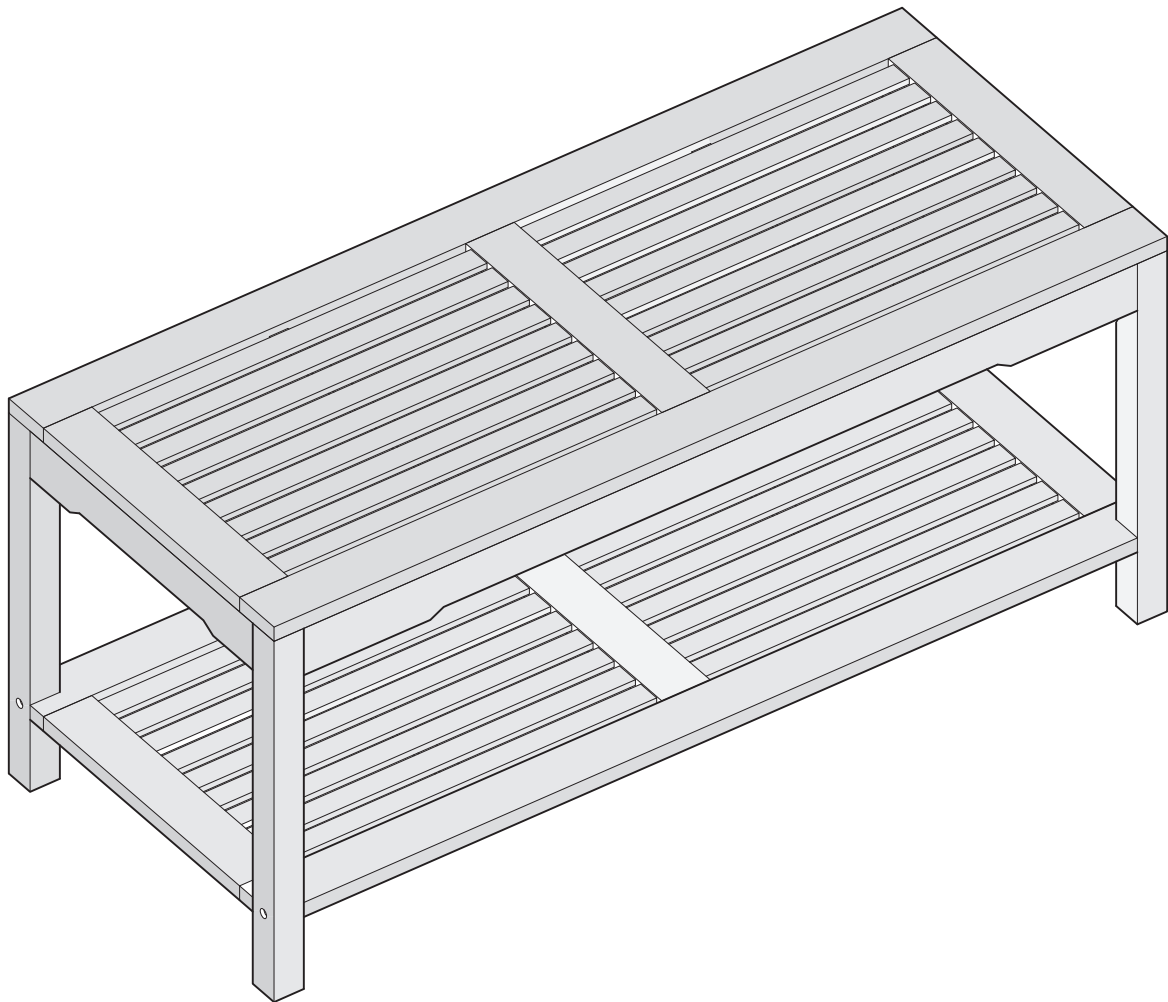


**W** Walker<sup>®</sup>  
Edison  
furniture company

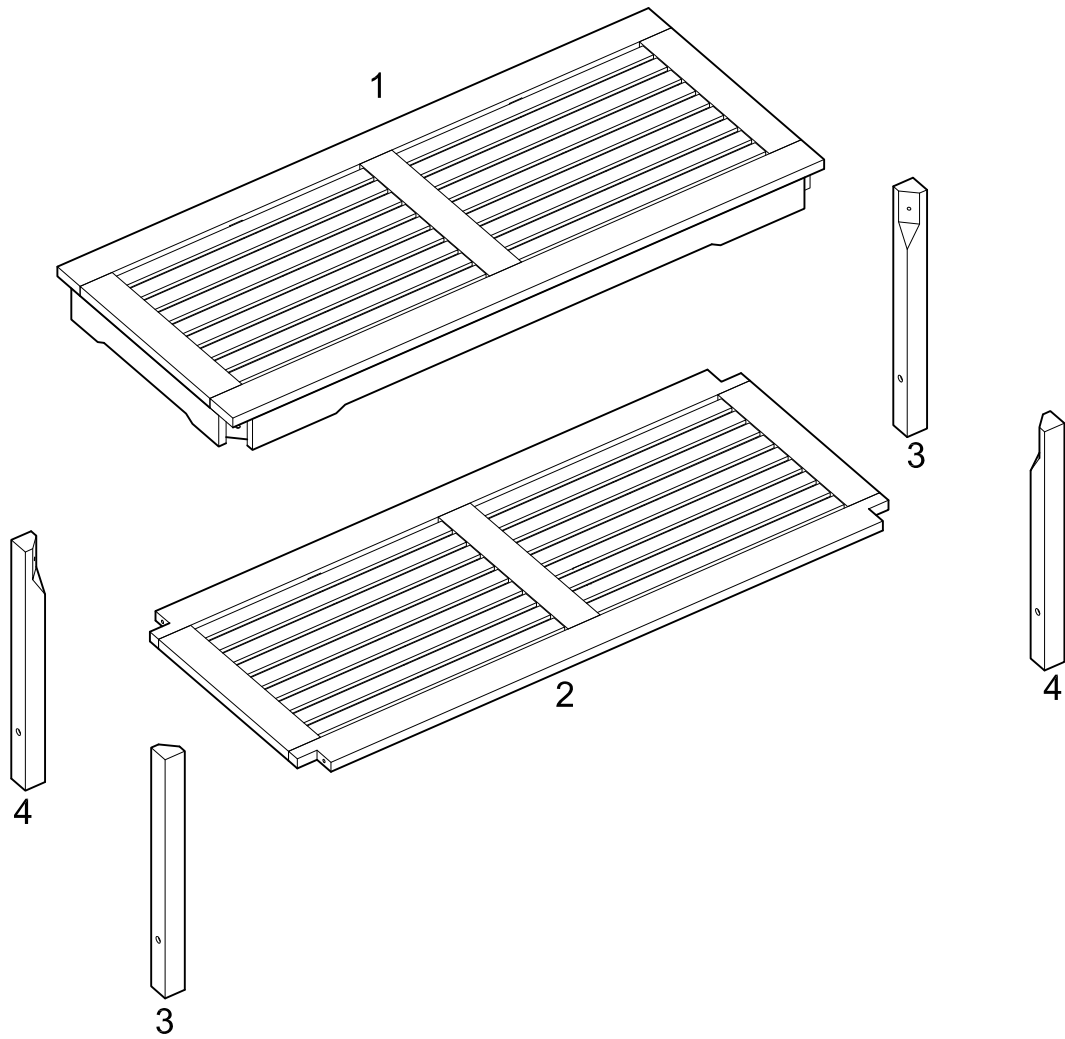
ITEM # : OWCT  
Assembly Instructions



*Please visit our website for the most current instructions, assembly tips, report damage, or request parts. [www.walkeredison.com](http://www.walkeredison.com)*

Revised 03/2017

# Parts List

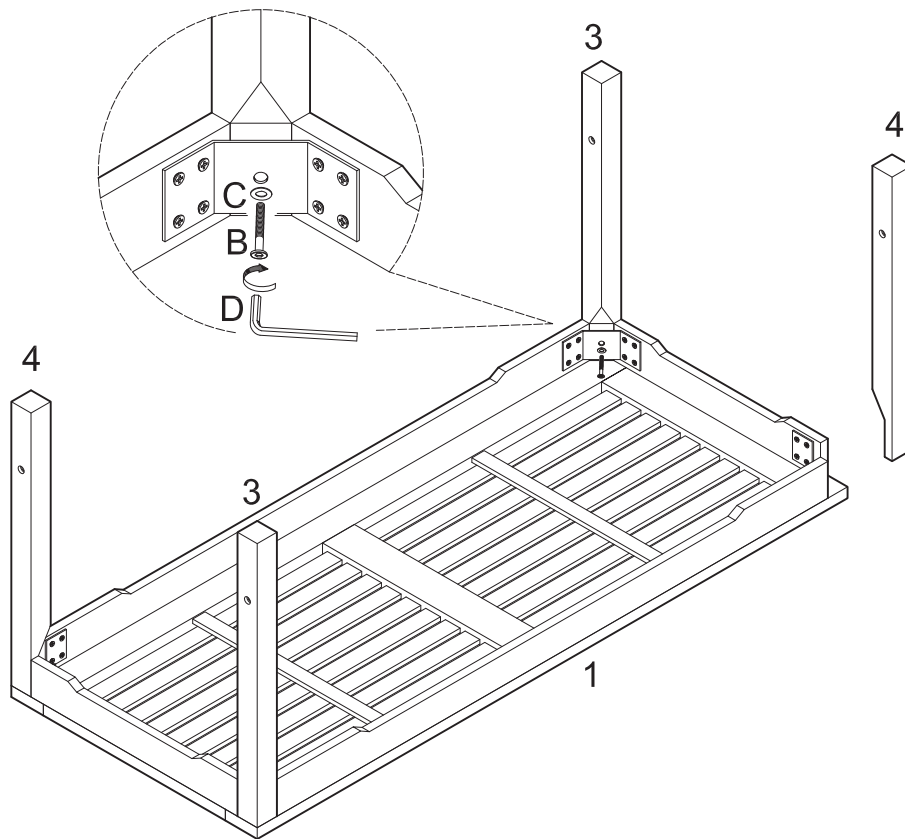


# Hardware List

A		Ø8x90mm	Screw	4 pcs
B		Ø8x60mm	Bolts	4 pcs
C			Washer	4 pcs
D			Wrench	1 pc

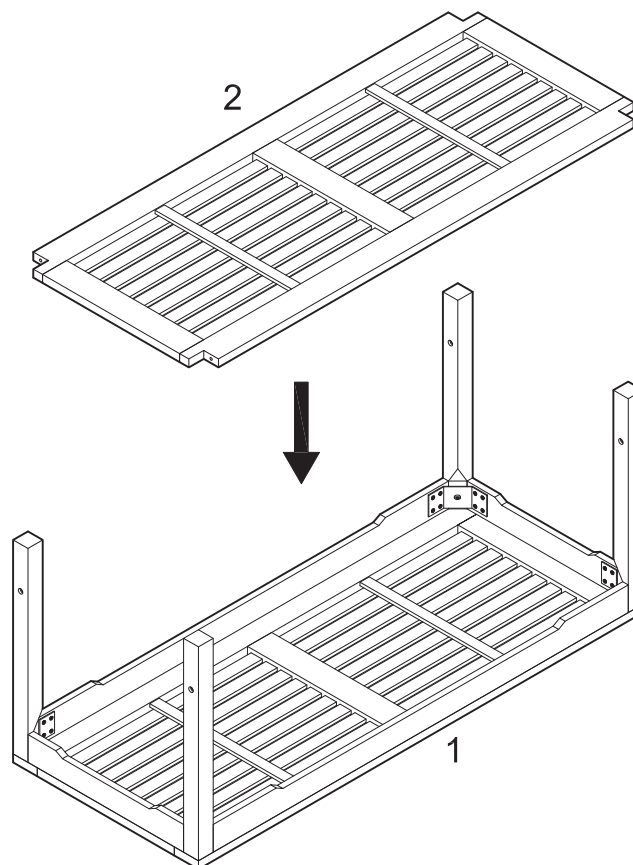
*The hardware quantities listed above are required for proper assembly.  
Some extra hardware may also have been included.*

# Step 1



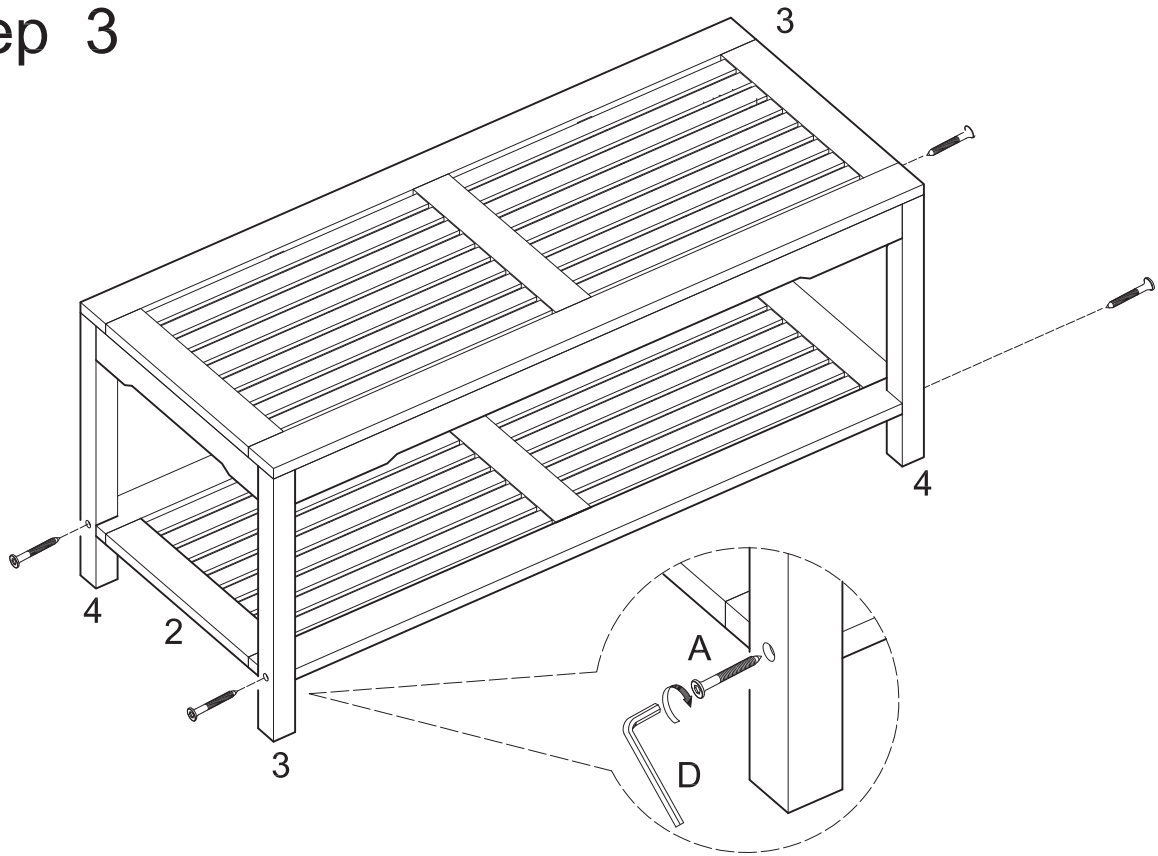
Carefully lay table top (1) upside down on a soft surface. Slide legs (3,4) into place and secure to table top (1) using bolts (B) and washers (C). Tighten bolts (B) with wrench (D).

# Step 2



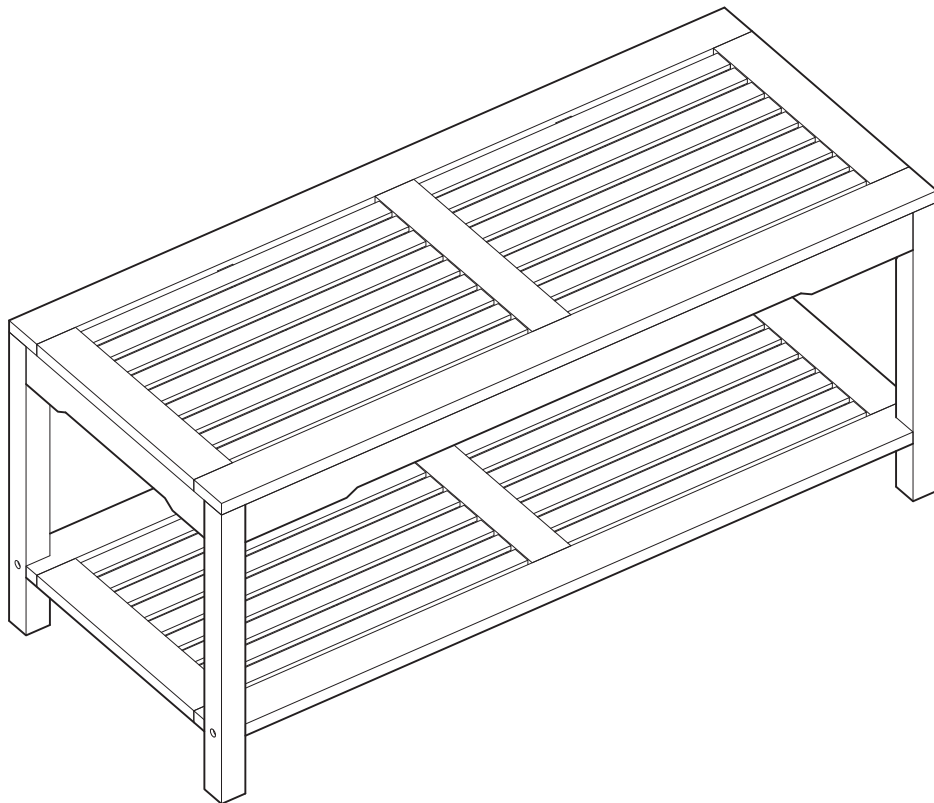
Carefully slide shelf (2) into place. (Shelf (2) will align with the pre-drilled holes of the table legs.)

## Step 3



Secure shelf (2) to legs (3,4) using screws (A). Tighten screws (A) with wrench (D).

## Step 4



## Final Assembly