



# PORTABLE INDUSTRIAL FAN BLOWER



**⚠ WARNING**

This product contains or, when used, produces a chemical known to the State of California to cause cancer and birth defects or other reproductive harm.  
(California Health & Safety Code § 25249.5, et seq.)

*\*Actual product may vary slightly*

Please carefully read and save these instructions before attempting to assemble, maintain, install, or operate this product. Observe all safety information to protect yourself and others. Failure to observe the instructions may result in property damage and/or personal injury. Please keep instructions for future reference.

For warranty purchases, please keep your dated proof of purchase. File or attach to the manual for safe keeping.

## Owner and/or Operator Responsibility

The owner and/or operator shall study the product instructions and retain them for future reference.

## Operation

The owner and/or operator shall have an understanding of the product, its operating characteristics, and safety operating instructions before operating. Safety information shall be emphasized and understood. If the operator is not fluent in English, the product and safety instructions shall be read to and discussed with the operator in the operator's native language by the purchaser/owner or his designee, making sure that the operator comprehends their contents.

## Maintenance

- Do not use lacquer thinner or other solvents, gasoline, mineral spirits or other combustible liquids to clean the unit.
- Do not use abrasives like steel wool or wire brushes to clean the unit.
- To properly clean the unit, use only plastic cleaner and/or polish.
- All repairs should be performed by qualified electricians to reduce the risk of electric shock.



- Safety precautions must be followed to reduce the risk of fire, electrical shock and personal injury.
- Do not expose to rain or use in wet locations, or in the presence of explosive gases.
- Ensure all instructions and warnings are understood before operation. Save these instructions.

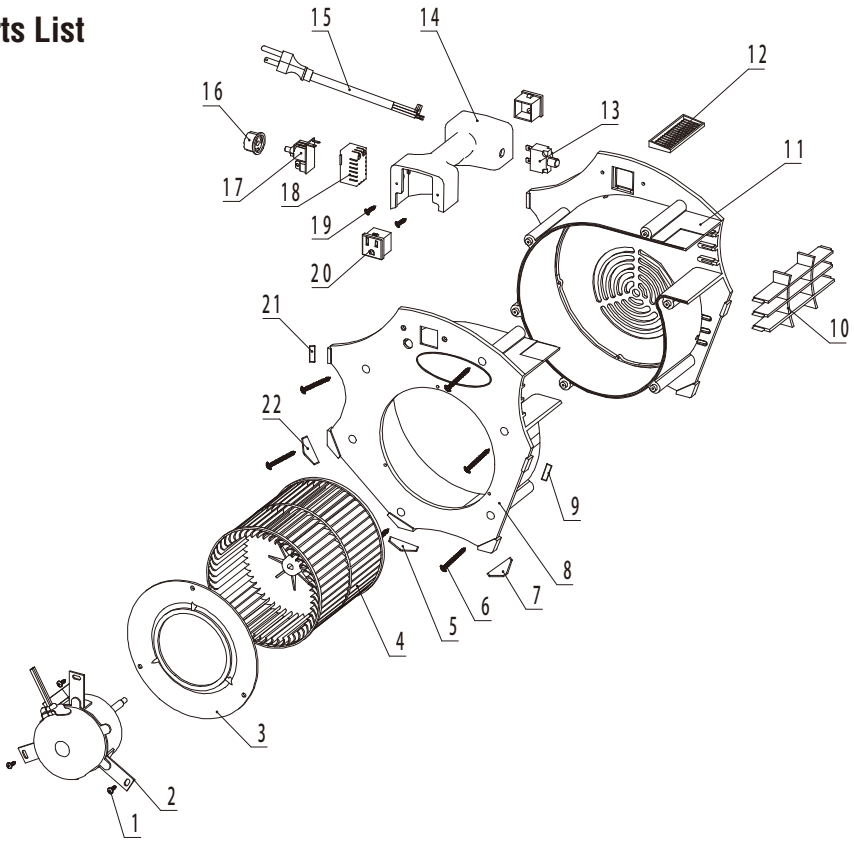
## Before Use

- Always look over the work area prior to use. Never use near or in water.
- Do NOT restrict flow of air to or from the unit, as this can damage it.
- Always wear safety glasses when operating the unit. In dusty areas, use a dust mask or respirator.
- Maintain the power cord. Do NOT unplug the unit by pulling on the cord. Always check the power cord for damage prior to use.
- Always secure the unit if using in an unstable environment.
- Never place any tool or object into the air intake or discharge grill.
- Always maintain the unit. For optimum performance keep the motor, air blower and blower wheel clean.
- Always disconnect the unit when not in use or before servicing.
- Always inspect the unit prior to use. Check the motor, air blower, power cord and housing of the unit for any possible damage. If any damage is found, contact an approved service centre.

## Product Specifications

Construction	High impact ABS plastic motor frame housing with built-in carrying handle and 2 built in receptacles; includes 15 AMP circuit breaker
Power Requirement	120 Volts AC, 60HZ 100 watts
Rated Air Flow	300 Cubic feet per minute
Motor Speed	900-1,500 RPM
Power cord	8' 4"L, 14AWG x 3 Prong grounded
Power Switch	Infinitely variable speed
Overall Dimensions	11-1/2"L x 8-3/4"W x 11-1/2"W
Air Flow	4 Position adjustable
Net Weight	9.00 LBS.

# Parts List



Item	Description	Item	Description
1	Phillips tapping screw(3)	12	Blower catch
2	Motor	13	Over current protection
3	Fixed motor ring	14	Handle
4	Fan blade	15	Electrical cord
5	Rubber foot(b) (2)	16	Speed control knob
6	Phillips tapping screw(6)	17	Circuit board
7	Rubber foot(c) (2)	18	Switch box
8	Right housing	19	Phillips tapping screw(4)
9	Rubber foot(a) (2)	20	Electrical socket(2)
10	Gill	21	Rubber foot(a) (2)
11	Left housing	22	Rubber foot(d) (2)

---

## **Limited Manufacturer Warranty**

*FOT makes every effort to ensure that this product meets high quality and durability standards. FOT warrants to the original retail consumer a 1-year limited warranty from the date the product was purchased at retail and each product is free from defects in materials. Warranty does not apply to defects due directly or indirectly to misuse, abuse, negligence or accidents, repairs or alterations, or a lack of maintenance. FOT shall in no event be liable for death, injuries to persons or property, or for incidental, special or consequential damages arising from the use of our products. To receive service under warranty, the original manufacturer part must be returned for examination by an authorized service center. Shipping and handling charges may apply. If a defect is found, FOT will either repair or replace the product at its discretion.*

## **DO NOT RETURN TO STORE**

For Customer Service:

Email: [customerservice@focus-ontools.com](mailto:customerservice@focus-ontools.com) or Call 1-800-348-5004