



60" diameter version
shown in Textured Bronze



Cutting a figure like no other, the Irene-3HLK ceiling-mount fan, is rustic, yet strikingly modern with three neatly joined, solid wood walnut or barn wood tone blades. A cylindrical motor housing complements its minimal profile. Irene-3HLK is streamline while still appearing warm and natural. Constructed of cast aluminum and heavy stamped steel, the Irene-3HLK has a limited lifetime warranty.



52" diameter version
shown in Brushed Nickel
with optional light cap



42" diameter version
shown in Brushed Nickel



52" diameter version
shown in Polished Chrome

Irene-3HLK

TECHNICAL SPECIFICATIONS

CEILING PITCH TABLE

0/12	0 degrees
1/12	4.76 degrees
2/12	9.46 degrees
3/12	14.04 degrees
4/12	18.43 degrees
5/12	22.62 degrees
6/12	26.57 degrees
7/12	30.26 degrees
8/12	33.69 degrees
9/12	36.87 degrees
10/12	39.81 degrees
11/12	42.51 degrees

CEILING HEIGHT TABLE

Suitable for ceiling heights 7'10" or greater

SKU NAMING CONVENTION

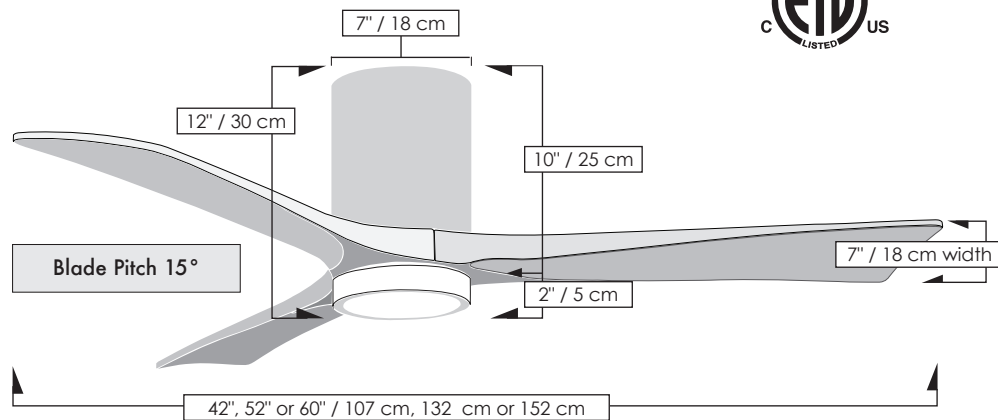
SKU#	IR3HLK-XX-XX-XX (Model+Finish+Blade+Diameter)	
Standard Finishes	Brushed Nickel	- BN
	Polished Chrome	- CR
	Textured Bronze	- TB
Special Order	Gloss White	- WH
	Matte Black	- BK
Blade Finish	Barn Wood Tone	- BW
	Walnut Tone	- WA
Fan Diameter	42 inches / 107 cm	- 42
	52 inches / 132 cm	- 52
	60 inches / 152 cm	- 60

STANDARD EQUIPMENT

6-speed RF remote control with reverse function in black



Wireless Decora-style, 6-speed, wall control in white



FAN SPECIFICATIONS

Fan Diameters	inches: 42, 52 or 60 centimeters: 107, 132 or 152
Overall Drop	10 inches / 25 cm
Fan Weight	12 lbs
Voltage	110 (Please contact us for 220 conversion)
Motor Type	DC
Remote Control	Hand-held, wall-mountable, 6-speed with reverse
Wall Control	Decora-style wall control: DC-WC
Environment	Damp locations for all finishes Neither coastal, saltwater nor chlorine compatible
Ambience	Silent
Safety Certification	ETL / CETL
Warranty	Limited Lifetime

MOTOR EFFICIENCY DATA AT HIGH SPEEDS

	42 inch / 107 cm	52 inch / 132 cm	60 inch / 152 cm
RPM	232	212	152
CFM	3572.79	5047.30	5878.07
Watts	17.61	32.49	30.81
CFM/Watt	203.01	155.35	190.78
Blade Pitch	15°	15°	15°

LIGHT KIT PHOTOMETRICS

Lamping (Replaceable)	Remote Dimmable	Temperature	Delivered Lumens	CRI	Watts	Hours
Integrated LED	Yes	3075 K	690	90	16	60,000

Matthews Fan Company

1881 Industrial Drive
Libertyville, IL 60048
Tele: 847.680.9043
Fax: 847.680.8140
www.matthewsfanco.com

© 2017 Matthews Fan Company. All rights reserved.

