



Radiant Cooktop

Safety Information 2

Warranty 4

**Assistance /
Parts and Accessories** 5

Using The Cooktop

Cooktop Features 6

Radiant Glass Cooktop 7

Home Canning Tips 7

Cookware for Radiant
Glass Cooktop 8

For Best Results 8

Element Cycling 9

Operating The Cooking Elements 9

Adjust Burner Size 9

Turn Burner(s) Off 10

Selecting Cooktop Settings 10

How To Synchronize Left Elements... 10

Cooktop Lockout 11

Single Kitchen Timer 11

Multiple Timers 12

Hot Light Indicator 12

Custom Settings 13

Giddle (optional accessory) 14

Care and Cleaning

Cleaning The Cooktop 15

Troubleshooting Tips 20

Owner's Manual

PP9030
PP9036

Write the model and serial numbers here:

Model # _____

Serial # _____

You can find them on a label under the cooktop.

IMPORTANT SAFETY INFORMATION. READ ALL INSTRUCTIONS BEFORE USING.

⚠ WARNING

Read all safety instructions before using the product. Failure to follow these instructions may result in fire, electrical shock, serious injury or death.

⚠ WARNING GENERAL SAFETY INSTRUCTIONS

- Use this cooktop only for its intended purpose as described in this Owner's Manual.
- Be sure your cooktop is properly installed and grounded by a qualified installer in accordance with the provided installation instructions.
- Do not attempt to repair or replace any part of your cooktop unless it is specifically recommended in this manual. All other servicing should be performed by a qualified technician.
- Before performing any service, unplug the cooktop or disconnect the power supply at the household distribution panel by removing the fuse or switching off the circuit breaker.
- Do not leave children alone—children should not be left alone or unattended in an area where the cooktop is in use. They should never be allowed to climb, sit or stand on any part of the cooktop.
- **⚠ CAUTION**: Do not store items of interest to children above the cooktop—children climbing on the cooktop to reach items could be seriously injured.
- Use only dry pot holders—moist or damp pot holders on hot surfaces may result in burns from steam. Do not let pot holders touch hot surface units or heating elements. Do not use a towel or other bulky cloth in place of pot holders.
- Never use your cooktop for warming or heating the room.
- Do not touch surface elements. These surfaces may be hot enough to burn even though they are dark in color. During and after use, do not touch, or let clothing or other flammable materials contact the surface elements or areas nearby the surface elements; allow sufficient time for cooling first.
- Potentially hot surfaces include the cooktop and areas facing the cooktop.
- Do not heat unopened food containers. Pressure could build up and the container could burst, causing an injury.
- Cook meat and poultry thoroughly—meat to at least an internal temperature of 160°F and poultry to at least an internal temperature of 180°F. Cooking to these temperatures usually protects against foodborne illness.

⚠ WARNING KEEP FLAMMABLE MATERIALS AWAY FROM THE COOKTOP

Failure to do so may result in fire or personal injury.

- Do not store or use flammable materials near the cooktop, including paper, plastic, pot holders, linens, wall coverings, curtains, drapes and gasoline or other flammable vapors and liquids.
- Never wear loose-fitting or hanging garments while using the cooktop. These garments may ignite if they contact hot surfaces causing severe burns.
- Do not let cooking grease or other flammable materials accumulate in or near the cooktop. Grease on the cooktop may ignite.

READ AND SAVE THESE INSTRUCTIONS

⚠ WARNING**COOKTOP SAFETY INSTRUCTIONS**

- In the event of a fire, do not use water or grease on fires. Never pick up a flaming pan. Turn the controls off. Smother a flaming pan on a surface unit by covering the pan completely with a well-fitted lid, cookie sheet or flat tray. Use a multi-purpose dry chemical or a foam-type fire extinguisher.
- Never leave the surface units unattended at medium or high heat settings. Boilovers cause smoking and greasy spillovers that may catch on fire.
- Never leave oil unattended while frying. If allowed to heat beyond its smoking point, oil may ignite resulting in fire that may spread to surrounding cabinets. Use a deep fat thermometer whenever possible to monitor oil temperature.
- To avoid spillover and fire, use a minimum amount of oil when shallow pan-frying and avoid cooking frozen foods with excessive amounts of ice.
- Use the proper pan size - select cookware having flat bottoms large enough to cover the surface heating element. The use of undersized cookware will expose a portion of the surface unit to direct contact and may result in ignition of clothing. Proper relationship of cookware to surface unit will also improve efficiency.
- To minimize the possibility of burns, ignition of flammable materials and spillage, the handle of a container should be turned toward the center of the range without extending over nearby surface units.

⚠ WARNING**RADIANT COOKTOP SAFETY INSTRUCTIONS**

- Only certain types of glass, glass/ceramic, earthenware or other glazed containers are suitable for cooktop service; others may break because of the sudden change in temperature.
- Use care when touching the cooktop. The glass surface of the cooktop will retain heat after the controls have been turned off.
- Do not cook on a broken cooktop. If the glass cooktop should break, cleaning solutions and spillovers may penetrate the broken cooktop and create a risk of electric shock. Contact a qualified technician immediately.
- Avoid scratching the glass cooktop. The cooktop can be scratched with items such as knives, sharp instruments, rings or other jewelry, and rivets on clothing.
- Do not place or store items that can melt or catch fire on the glass cooktop, even when it is not being used. If the cooktop is inadvertently turned on, they may ignite. Heat from the cooktop or oven vent after it is turned off may cause them to ignite also.
- Use CERAMA BRYTE® ceramic Cooktop Cleaner and CERAMA BRYTE® Cleaning Pad to clean the cooktop. Wait until the cooktop cools and the indicator light goes out before cleaning. A wet sponge or cloth on a hot surface can cause steam burns. Some cleaners can produce noxious fumes if applied to a hot surface. Read and follow all instructions and warnings on the cleaning cream label. **NOTE:** Sugary spills are an exception. They should be scraped off while still hot using an oven mitt and a scraper. See the Cleaning the glass cooktop section for detailed instructions.

READ AND SAVE THESE INSTRUCTIONS

Thank You! ... for your purchase of a GE Brand appliance.

Register Your Appliance: Register your new appliance on-line at your convenience!

www.geappliances.com/service_and_support/register/

Timely product registration will allow for enhanced communication and prompt service under the terms of your warranty, should the need arise. You may also mail in the pre-printed registration card included in the packing material.

GE Electric Cooktop Warranty

GEAppliances.com

All warranty service is provided by our Factory Service Centers, or an authorized Customer Care® technician. To schedule service, on-line, visit us at www.geappliances.com/service_and_support/, or call 800.GE.CARES (800.432.2737). Please have serial number and model number available when calling for service.

Servicing your appliance may require the use of the onboard data port for diagnostics. This gives a GE factory service technician the ability to quickly diagnose any issues with your appliance and helps GE improve its products by providing GE with information on your appliance. If you do not want your appliance data to be sent to GE, please advise your technician not to submit the data to GE at the time of service.

For the period of one year from the date of the original purchase. GE will provide any part of the cooktop which fails due to a defect in materials or workmanship. During this limited one-year warranty, GE will also provide, free of charge, all labor and in-home service to replace the defective part.

What GE will not cover:

- Service trips to your home to teach you how to use the product.
- Improper installation, delivery or maintenance.
- Failure of the product if it is abused, misused, modified or used for other than the intended purpose or used commercially.
- Replacement of house fuses or resetting of circuit breakers.
- Damage to the product caused by accident, fire, floods or acts of God.
- Incidental or consequential damage caused by possible defects with this appliance.
- Damage caused after delivery.
- Product not accessible to provide required service.
- Service to repair or replace light bulbs, except for LED lamps.

EXCLUSION OF IMPLIED WARRANTIES

Your sole and exclusive remedy is product repair as provided in this Limited Warranty. Any implied warranties, including the implied warranties of merchantability or fitness for a particular purpose, are limited to one year or the shortest period allowed by law.

This warranty is extended to the original purchaser and any succeeding owner for products purchased for home use within the USA. If the product is located in an area where service by a GE Authorized Servicer is not available, you may be responsible for a trip charge or you may be required to bring the product to an Authorized GE Service location for service. In Alaska, the warranty excludes the cost of shipping or service calls to your home.

Some states do not allow the exclusion or limitation of incidental or consequential damages. This warranty gives you specific legal rights, and you may also have other rights which vary from state to state. To know what your legal rights are, consult your local or state consumer affairs office or your state's Attorney General.

Warrantor: General Electric Company. Louisville, KY 40225

Extended Warranties: Purchase a GE extended warranty and learn about special discounts that are available while your warranty is still in effect. You can purchase it on-line anytime

www.geappliances.com/service_and_support/shop-for-extended-service-plans.htm

or call 800.626.2224 during normal business hours. GE Consumer Home Services will still be there after your warranty expires.

Staple your receipt here. Proof of the original purchase date is needed to obtain service under the warranty.

Have a question or need assistance with your appliance?

Try the GE Appliances Website (www.geappliances.com/service_and_support/) 24 hours a day, any day of the year! For greater convenience and faster service, you can now download Owner's Manuals, order parts or even schedule service on-line.

Schedule Service: Expert GE repair service is only one step away from your door. Get on-line and schedule your service at www.geappliances.com/service_and_support/ Or call 800.GE.CARES (800.432.2737) during normal business hours.

Parts and Accessories: Individuals qualified to service their own appliances can have parts or accessories sent directly to their homes (VISA, MasterCard and Discover cards are accepted). Order on-line today, 24 hours every day or by phone at 800.626.2002 during normal business hours.

Instructions contained in this manual cover procedures to be performed by any user. Other servicing generally should be referred to qualified service personnel. Caution must be exercised, since improper servicing may cause unsafe operation.

Real Life Design Studio: GE supports the Universal Design concept of products, services and environments that can be used by people of all ages, sizes and capabilities. We recognize the need to design for a wide range of physical and mental abilities and impairments. For details of GE's Universal Design applications, including kitchen design ideas for people with disabilities, check out our Website today. For the hearing impaired, please call 800.TDD.GEAC (800.833.4322).

Contact Us: If you are not satisfied with the service you receive from GE, contact us on our Website with all the details including your phone number, or write to:
General Manager, Customer Relations
GE Appliances, Appliance Park Louisville, KY 40225

Parts and Accessories

To place an order visit us online at:

www.GEApplianceParts.com (U.S.) or www.GEAppliances.ca (Canada)

or call **800.626.2002** (U.S.) **800.661.1616** (Canada)

The following parts are available:

Parts

Griddle	JXGRIDL1
Stainless Steel Cleaner and Polisher	PM10X311

How to Remove Protective Shipping Film and Packaging Tape

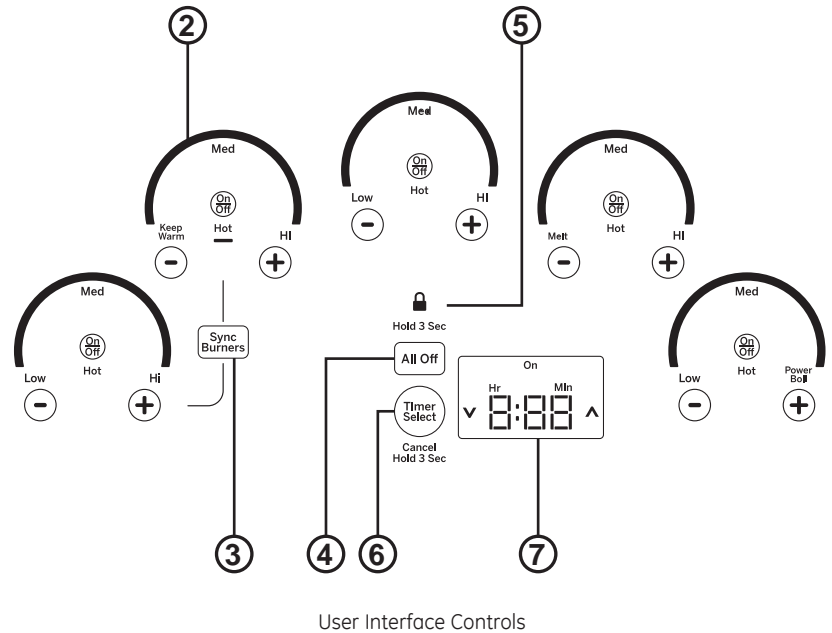
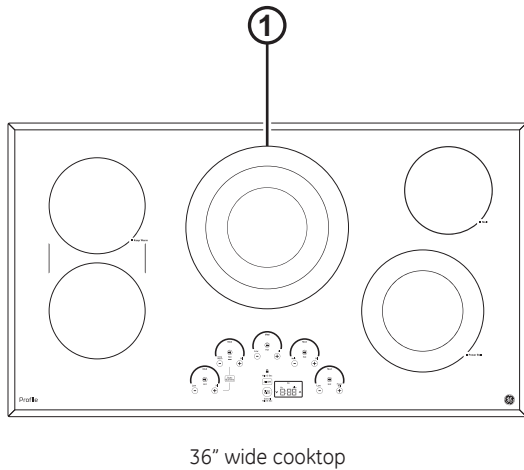
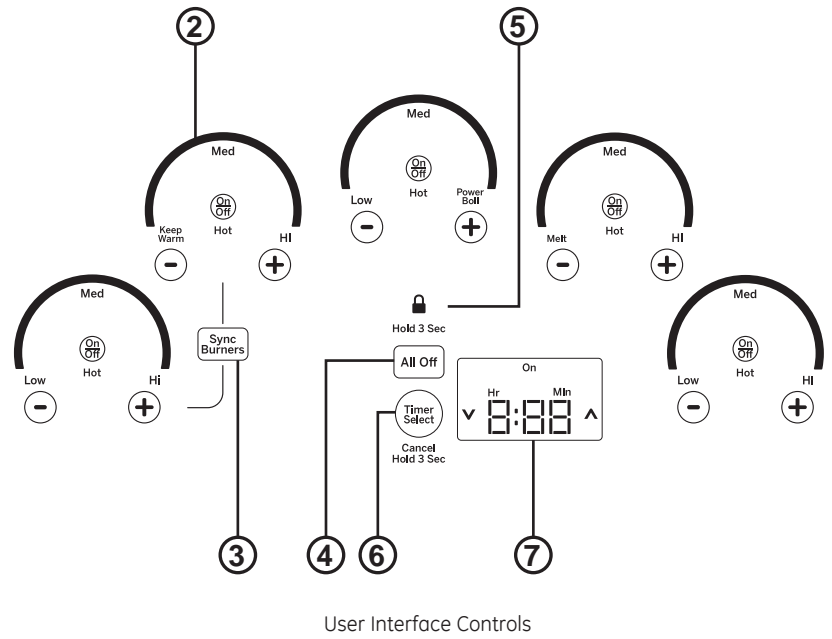
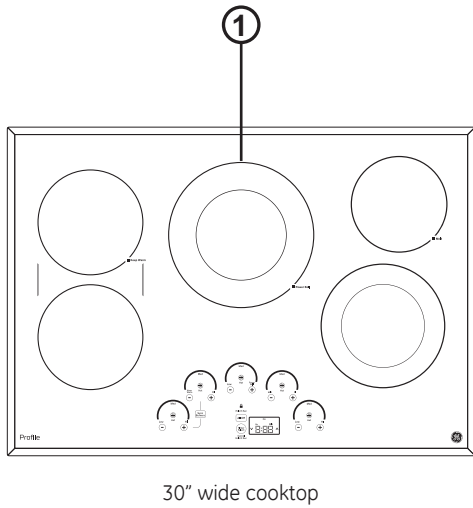
Carefully grasp a corner of the protective shipping film with your fingers and slowly peel it from the appliance surface. Do not use any sharp items to remove the film. Remove all of the film before using the appliance for the first time.

To assure no damage is done to the finish of the product, the safest way to remove the adhesive from packaging tape on new appliances is an application of a household liquid dishwashing detergent. Apply with a soft cloth and allow to soak.

NOTE: The adhesive must be removed from all parts. It cannot be removed if it is baked on.

Cooktop Features

Throughout this manual, features and appearance may vary from your model.



1. **Cooking Element(s):** See page 9.
2. **Power Level Arc:** See page 9.
3. **Sync Burners:** See page 10.
4. **All Off:** See page 10.
5. **Lock:** See page 11.
6. **Timer Select:** See page 11.
7. **Display:** See page 11.

Radiant Glass Cooktop

The radiant cooktop features heating units beneath a smooth glass surface.

NOTE: A slight odor is normal when a new cooktop is used for the first time. It is caused by the heating of new parts and insulating materials and will disappear in a short time.

NOTE: This cooktop has Rapid Response surface units. The cooktop will automatically heat up or cool down to the desired power level setting in the quickest time possible. While the surface units are on, you may not see them glow red during certain heat up or cool down conditions.

Cooktop temperatures increase with the number of surface units that are on. With 3 or 4 units turned on, surface temperatures are high. Always use caution when touching the cooktop.



Never cook directly on the glass. Always use cookware.



Always place the pan in the center of the surface unit you are cooking on.



Do not slide cookware across the cooktop because it can scratch the glass—the glass is scratch-resistant, not scratch proof.

Home Canning Tips

Be sure the canner is centered over the surface unit. Make sure the canner is flat on the bottom. To prevent burns from steam or heat, use caution when canning.

Use recipes and procedures from reputable sources. These are available from manufacturers such as Ball® and Kerr® and the Department of Agriculture Extension Service. Flat-bottomed canners are recommended. Use of water bath canners with rippled bottoms may extend the time required to bring the water to a boil.

Cookware for Radiant Glass Cooktop

The following information will help you choose cookware which will give good performance on glass cooktops.

Stainless Steel:
recommended

Aluminum:

heavy weight recommended

Good conductivity. Aluminum residues sometimes appear as scratches on the cooktop but can be removed if cleaned immediately. Because of its low melting point, thin weight aluminum should not be used.

Copper Bottom:
recommended

Copper may leave residues which can appear as scratches. The residues can be removed, as long as the cooktop is cleaned immediately. However, do not let these pots boil dry. Overheated metal can bond to glass cooktops. An overheated copper bottom pot will leave a residue that will permanently stain the cooktop if not removed immediately.

Porcelain Enamel on Cast Iron:
recommended if bottom of pan is coated

Porcelain Enamel on Steel:
not recommended

Heating empty pans can cause permanent damage to cooktop glass. The enamel can melt and bond to the ceramic cooktop.

Glass-ceramic:
not recommended

Poor performance. Will scratch the surface.

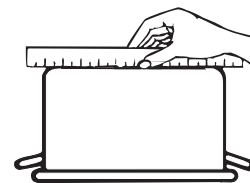
Stoneware:
not recommended

Poor performance. May scratch the surface.

Cast Iron:

not recommended—unless designed specifically for glass cooktops

Poor conductivity and slow to absorb heat. Will scratch the cooktop surface.



Check pans for flat bottoms by using a straight edge.



Pans with rounded, curved, ridged or warped bottoms are not recommended.

NOTE: Follow all cookware manufacturer's recommendations when using any type of cookware on the ceramic cooktop.

For Best Results

- Place only dry pans on the surface elements. Do not place lids on the surface elements, particularly wet lids. Wet pans and lids may stick to the surface when cool.
- Do not use woks that have support rings. This type of wok will not heat on glass surface elements.
- We recommend that you use only a flat-bottomed wok. They are available at your local retail store. The bottom of the wok should have the same diameter as the surface element to ensure proper contact.
- Some special cooking procedures require specific cookware such as pressure cookers or deep-fat fryers. All cookware must have flat bottoms and be the correct size.



Do not place wet pans on the glass cooktop.



Do not use woks with support rings on the glass cooktop.



Use flat-bottomed woks on the glass cooktop.

Element Cycling

Surface elements will cycle on and off to maintain the temperature you have selected. All radiant surface elements have a temperature limiter that protects the glass cooktop from getting too hot, this is normal. The temperature limiter may cycle the elements off more frequently if:

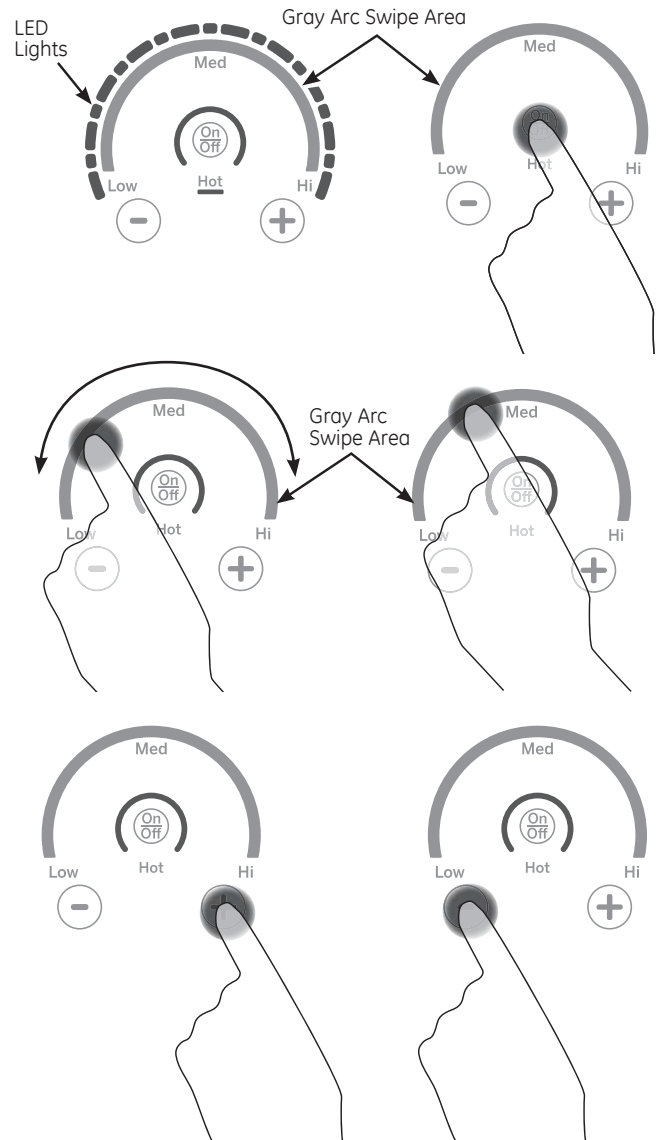
- The pan boils dry.
- The pan bottom is not flat.
- The pan is off-center.
- There is no pan on the element.

Operating The Cooking Elements

Turn Burner(s) On: Touch and hold **On/Off** pad about half a second. A chime can be heard with each touch to any pad.

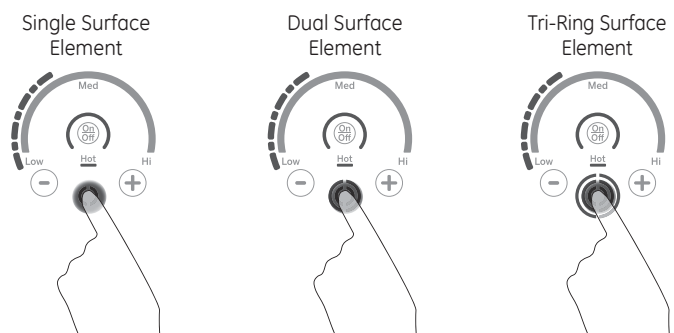
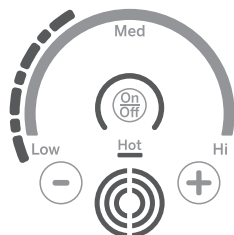
Power level can be selected in any of the following ways:

1. **Swipe the gray arc** (on the graphics) to the desired power level. **There is no sensor on the LEDs**, or;
2. Touch **Anywhere** along the gray arc, or;
3. Touch **+** or **-** pads to adjust power level, or;
4. Shortcut to Hi: Immediately after turning unit on, touch the **+** pad, or;
5. Shortcut to Low: Immediately after turning unit on, touch the **-** pad.



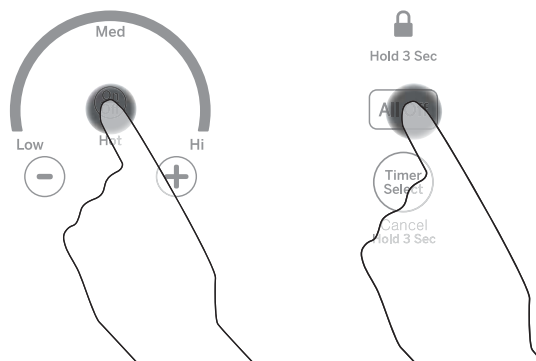
Adjust Burner Size

The burner ring size is adjustable on some elements. The ring size can be selected by pressing the burner ring graphic.



Turn Burner(s) Off

Touch **On/Off** pad for an individual burner or touch the **All Off** pad.

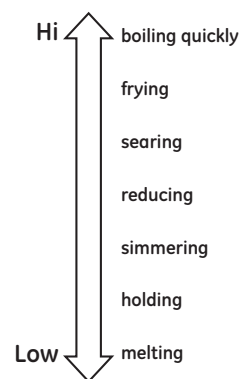


Selecting Cooktop Settings

Choose the element/burner that is best fit to the cookware size. Each element/burner on your new cooktop has its own power levels ranging from low to high. Power level settings necessary for cooking will vary depending on the cookware being used, the type and quantity of food, and the desired outcome. In general use lower settings for melting, holding and simmering and use higher settings for heating quickly, searing and frying. When keeping foods warm confirm selected setting is sufficient to maintain food temperature above 140°F. Larger elements and elements marked "Keep Warm" are not recommended for melting.

Hi is the highest power level, designed for large quantity rapid cooking and boiling. Hi will operate for a maximum of 10 minutes. Hi may be repeated after the initial 10 minute cycle by pressing the + pad.

CAUTION: Do not place any cookware, utensils or leave excess water spills on control key pads. This may result in unresponsive touch pads and turning off the cooktop if present for several seconds.



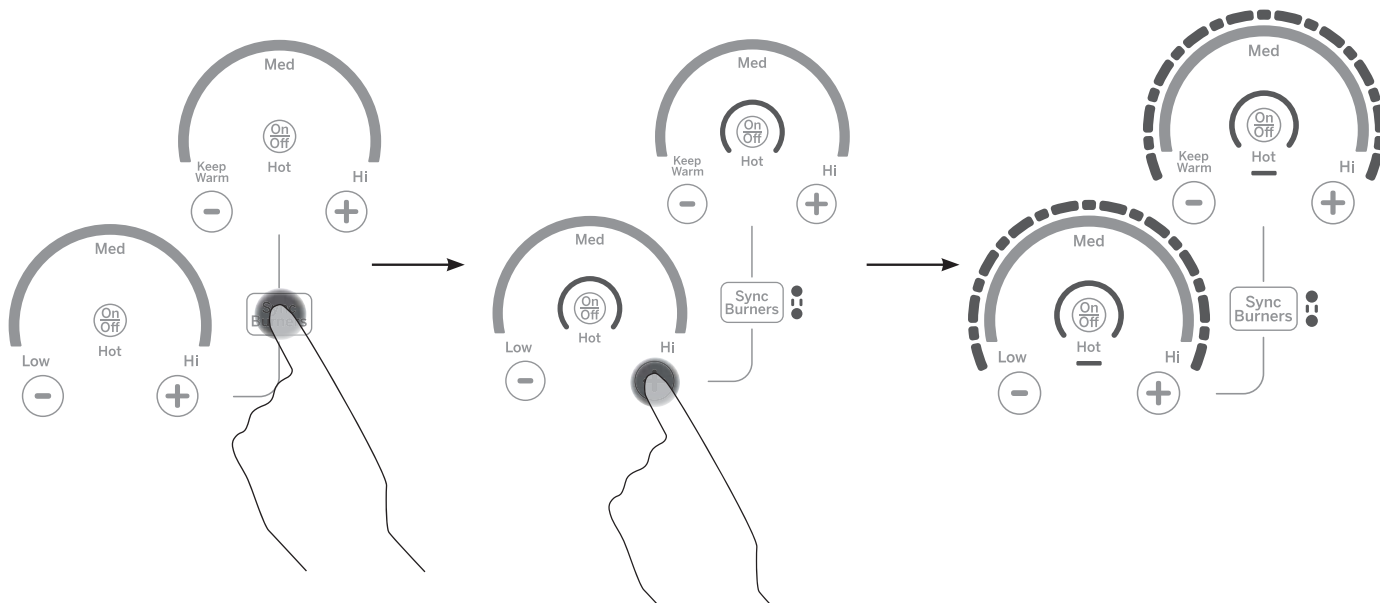
How To Synchronize Left Elements

To Turn On

Hold the **Sync Burners** pad for about half a second to connect the two burners. Operate either element as described on page 7 to adjust power level.

To Turn Off

1. Touch the **On/Off** pad on either burner to turn off the Sync Burners.
- or
2. Touch the **Sync Burners** to turn both burners off.



Cooktop Lockout

Lock

Touch **Control Lock** pad for 3 seconds.

Unlock

Touch **Control Lock** pad again for 3 seconds.

See Custom Settings section to activate Auto Lock feature.

Control Lock Indicator/Symbol



Cooktop Lockout: locks operation of the controls

Single Kitchen Timer

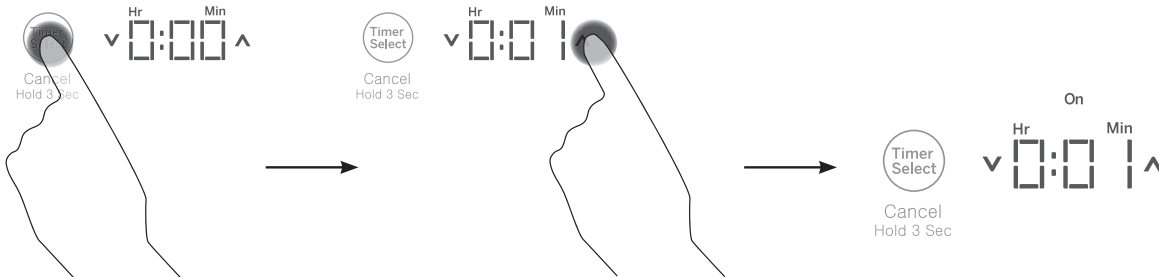
To Turn On

Touch the **Timer Select** pad. Touch the **▲** or **▼** arrows to choose the desired number of minutes. Timer automatically starts 3 seconds after pad is touched. The "ON" LED will appear automatically when timer is set.

To Turn Off

Hold **Timer Select** pad for 3 seconds to cancel timer. Alarm will sound continuously when time is up until user turns timer off.

NOTE: Use the kitchen timer to measure cooking time or as a reminder. The kitchen timer does not control the cooking elements. Timer turns off if there is no activity for 30 seconds.



Multiple Timers

Timer Mode

For more information see Custom Settings, Timer Mode section for Multi-Timer feature. Each burner can be linked to a timer. Burner must be on to set the timer. When more than one burner is on, the order of the timer is from left to right.

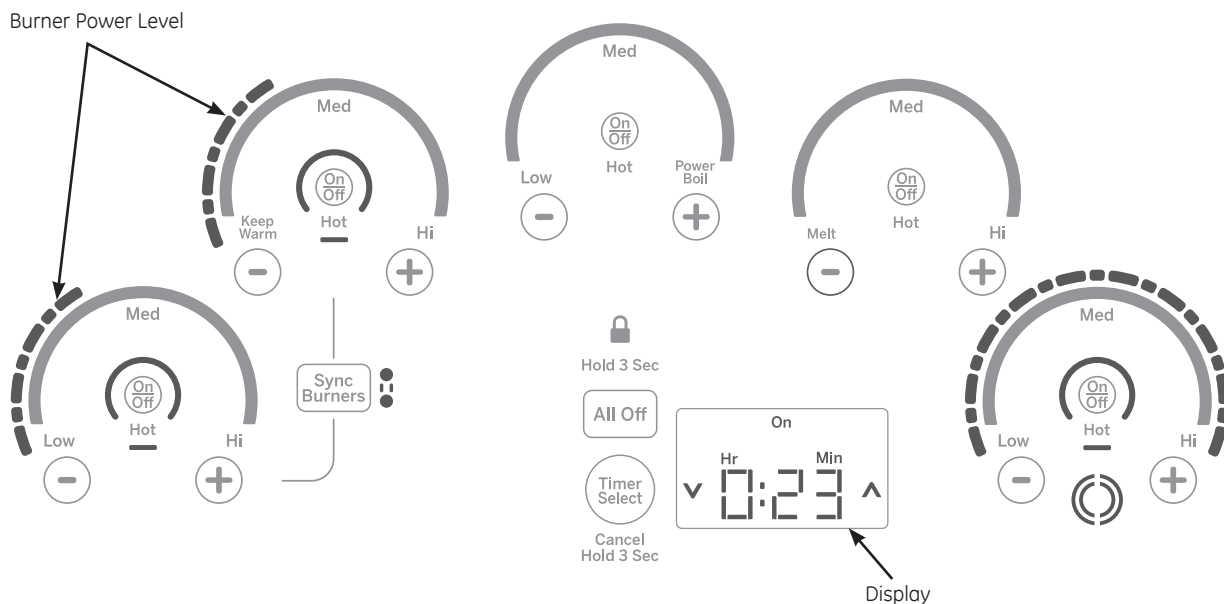
To Turn ON Multiple Timers

1. Touch the **Timer Select** pad. The corresponding burner power level and the display will blink. Touch the **▲** or **▼** arrows to adjust time. Timer automatically starts after 3 seconds if there is no further action. The "ON" LED will light when timer is on.

2. To set timer for the next burner, touch the **Timer Select** pad. The corresponding burner power level and the display will blink. Touch the **▲** or **▼** arrows to adjust time. Timer automatically starts after 3 seconds if there is no further action. The "ON" LED will light when timer is on. Repeat the steps for the remaining timers.

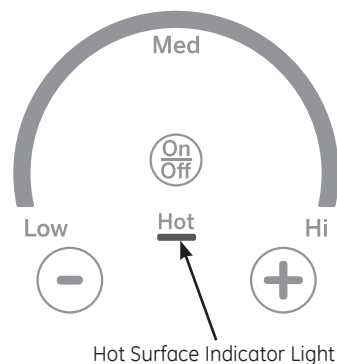
To Turn OFF Multiple Timers

Hold **Timer Select** pad for 3 seconds to cancel timer. The corresponding burner power level and display will blink. When the burner times out, the corresponding timer also times out.



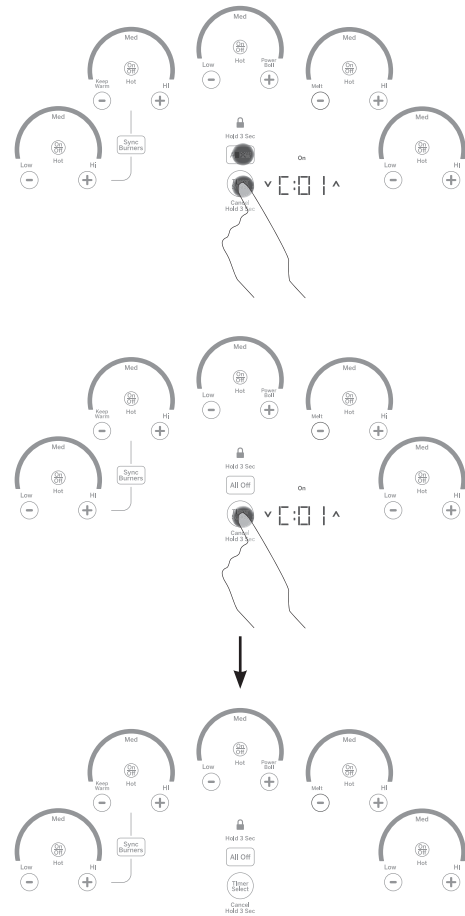
Hot Light Indicator

A hot surface indicator light (one for each cooking element) will glow when the glass surface is hot and will remain on until the surface has cooled to a temperature that is safe to touch.



Custom Settings

1. Press and hold **All Off** pad for 3 seconds, then immediately press and hold the **Timer Select** pad for 3 seconds to enter custom settings. Those two pads must be pressed within 30 seconds. Any other pad will cancel mode.
2. “C - -” appears on display. To navigate through the Custom Settings, use the **▲** (up) or **▼** (down) pads. If **▲** (up) is selected the display cycle starts at “C01”. If **▼** (down) is selected, the display cycle starts at “C62”.
3. To activate a new Custom Setting the user will touch and hold the **Timer Select** pad for 3 sec. Only ONE of the Custom Setting Choices can be activated for each Custom Setting. The red “On” LED will turn on and a sound will go off once a new custom setting is activated.
4. The cooktop will exit Custom Settings if it is inactive for 3 minutes.
5. To exit Custom Settings and save any changes, touch and hold the **All Off** pad for 3 seconds.



Custom Settings Chart

Custom Settings	Custom Setting Choices
C0 (Factory Settings)	C01 - Factory Reset (Clears customized settings and restores defaults)
	C02 - Custom settings activated (Not visible unless any other custom setting is selected. And automatically on when any other custom setting is selected. Not selectable by user.)
C1 (Control Lock)	C11 - Standard Lock (ie; Only on when lock button pressed for 3 seconds.) If using a timer, Control Lock is unavailable.
	C12 - Auto Lock (ie; Engages after cooktop has been in standby mode for 10 minutes.) The unit should be completely off to go into Auto Lock.
C2 (LED light level)	C21 - Full illumination
	C22 - Medium illumination
	C23 - Lowest illumination
C3 (Button Loudness)	C31 - All sounds activated at 100% (For alarm sounds, 100% = Whatever level is set in c4.)
	C32 - Button sound level reduced by 50%, Alarm sounds at 100%
	C33 - Button sounds deactivated, Alarm sounds activated at 100%
C4 (Timer Alarm Loudness)	C41 - High
	C42 - Low
C5 (Timer Alarm Duration)	C51 - Indefinite (ie; alarm continues until cancelled by user).
	C52 - Alarm sounds for 60 seconds.
	C53 - Alarm sounds for 30 seconds.
	C54 - Alarm sounds for 15 seconds.
C6 (Timer Mode)	C61 - Single Kitchen Time (Independent of elements.)
	C62 - Multi-Timer (Tied to each element.)

* Options in grey are default settings

Griddle (optional accessory)

Using the Griddle

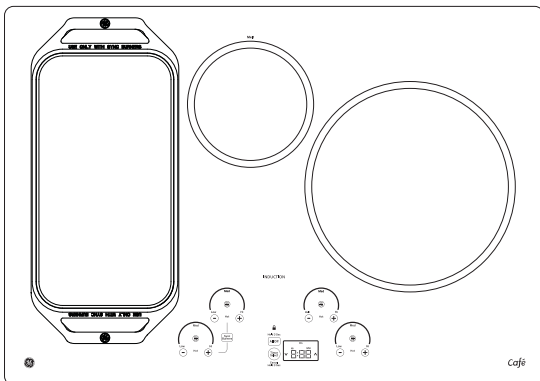
CAUTION Burn Hazard

- Griddle surfaces may be hot enough to cause burns during and after use. Place and remove the griddle when it is cool and all surface units are off. Use oven mitts if you will touch the griddle while hot. Failure to do so can result in burns.
- Place and remove the griddle only when griddle is cool and all surface burners are turned OFF.

Before using this cookware for the first time, wash it to make sure it is clean. Then season it lightly, rubbing cooking oil onto the cooking surface.

How To Place The Griddle

IMPORTANT: Always place and use your griddle at the designated location on the cooktop.

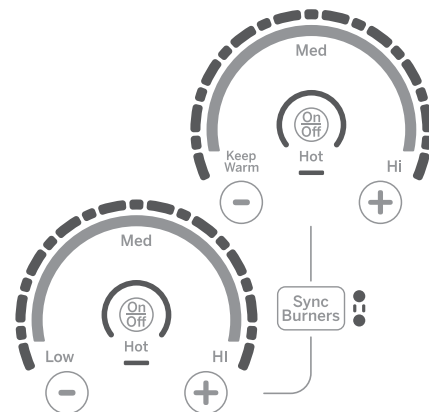


Type of Food	Cook Setting
Warming Tortillas	Med-Lo
Pancakes	Med-Lo
Hamburgers	Med
Fried Eggs	Med-Lo
Breakfast Sausage Links	Med
Hot Sandwiches (such as Grilled Cheese)	Med-Lo

Griddle settings are intended to be a guideline and may need to be adjusted based on individual cooking preferences.

Griddle Operation

To turn on the surface units for the entire griddle, use the Sync Burner control feature. Touch the **Sync Burner** pad and then adjust power level to desired setting as described on page 8.



IMPORTANT NOTES:

- Clean the griddle with a sponge and mild detergent in warm water. DO NOT use blue or green scrubbing pads or steel wool.
- Avoid cooking extremely greasy foods and be careful of grease spillover while cooking.
- Never place or store any items on the griddle, even when it is not in use. The griddle can become heated when using the surrounding surface units.
- Avoid using metal utensils with sharp points or rough edges, which might damage the griddle. Do not cut foods on the griddle.
- Do not use cookware as a storage container for food or oil. Permanent staining and/or craze lines could result.
- Your griddle will discolor over time with use.
- Do not clean the griddle in a self-cleaning oven.
- Always allow the cookware to cool before immersing in water.
- Do not overheat the griddle.

Cleaning the Glass Cooktop

Normal Daily Use Cleaning

ONLY use CERAMA BRYTE® Ceramic Cooktop Cleaner on the glass cooktop. Other creams may not be as effective.

To maintain and protect the surface of your glass cooktop, follow these steps:

1. Before using the cooktop for the first time, clean it with CERAMA BRYTE® Ceramic Cooktop Cleaner. This helps protect the top and makes cleanup easier.
2. Daily use of CERAMA BRYTE® Ceramic Cooktop Cleaner will help keep the cooktop looking new.
3. Shake the cleaning cream well. Apply a few drops of CERAMA BRYTE® Ceramic Cooktop Cleaner directly to the cooktop.

4. Use a paper towel or CERAMA BRYTE® Cleaning Pad for Ceramic Cooktops to clean the entire cooktop surface.
5. Use a dry cloth or paper towel to remove all cleaning residue. No need to rinse.

NOTE: It is very important that you DO NOT heat the cooktop until it has been cleaned thoroughly.



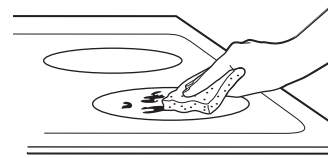
Clean your cooktop after each spill. Use CERAMA BRYTE® Ceramic Cooktop Cleaner.

Burned-On Residue

NOTE: DAMAGE to your glass surface may occur if you use scrub pads other than those recommended.

1. Allow the cooktop to cool.
2. Spread a few drops of CERAMA BRYTE® Ceramic Cooktop Cleaner on the entire burned residue area.
3. Using the included CERAMA BRYTE® Cleaning Pad for Ceramic Cooktops, rub the residue area, applying pressure as needed.
4. If any residue remains, repeat the steps listed above as needed.

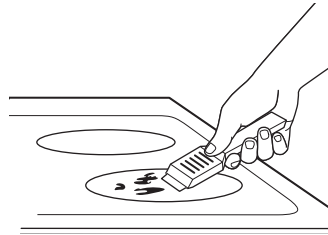
5. For additional protection, after all residue has been removed, polish the entire surface with CERAMA BRYTE® Ceramic Cooktop Cleaner and a paper towel.



Use a CERAMA BRYTE® Cleaning Pad for Ceramic Cooktops.

Heavy, Burned-On Residue

1. Allow the cooktop to cool.
2. Use a single-edge razor blade scraper at approximately a 45° angle against the glass surface and scrape the soil. It will be necessary to apply pressure to the razor scraper in order to remove the residue.
3. After scraping with the razor scraper, spread a few drops of CERAMA BRYTE® Ceramic Cooktop Cleaner on the entire burned residue area. Use the CERAMA BRYTE® Cleaning Pad to remove any remaining residue.
4. For additional protection, after all residue has been removed, polish the entire surface with CERAMA BRYTE® Ceramic Cooktop Cleaner and a paper towel.



The CERAMA BRYTE® Ceramic Cooktop Scraper and all recommended supplies are available through our Parts Center. See instructions under "Assistance / Accessories" section.

NOTE: Do not use a dull or nicked blade.

Cleaning the Glass Cooktop (Cont.)

Metal Marks and Scratches

1. Be careful not to slide pots and pans across your cooktop. It will leave metal markings on the cooktop surface.

These marks are removable using the CERAMA BRYTE® Ceramic Cooktop Cleaner with the CERAMA BRYTE® Cleaning Pad for Ceramic Cooktops.

2. If pots with a thin overlay of aluminum or copper are allowed to boil dry, the overlay may leave black discoloration on the cooktop.

This should be removed immediately before heating again or the discoloration may be permanent.

NOTE: Carefully check the bottom of pans for roughness that would scratch the cooktop.

Damage from Sugary Spills and Melted Plastic

Special care should be taken when removing hot substances **to avoid permanent damage of the glass surface**. Sugary spillovers (such as jellies, fudge, candy, syrups) or melted plastics can cause pitting of the surface of your cooktop (not covered by the warranty) unless the spill is removed while still hot. Special care should be taken when removing hot substances.

Be sure to use a new, sharp razor scraper.

Do not use a dull or nicked blade.

1. Turn off all surface units. Remove hot pans.
2. Wearing an oven mitt:
 - a. Use a single-edge razor blade scraper (CERAMA BRYTE® Ceramic Cooktop Scraper) to move the spill to a cool area on the cooktop.
 - b. Remove the spill with paper towels.

3. Any remaining spillover should be left until the surface of the cooktop has cooled.

4. Don't use the surface units again until all of the residue has been completely removed.

NOTE: If pitting or indentation in the glass surface has already occurred, the cooktop glass will have to be replaced. In this case, service will be necessary.

Notes

Notes

Notes

Troubleshooting tips ... Before you call for service

Save time and money! Review the charts on the following pages first and you may not need to call for service. If an error occurs in the control operation, a fault code will flash in the display. Record the error code and call for service.

Problem	Possible Cause	What To Do
Surface elements will not maintain a rolling boil or cooking is slow	Improper cookware being used.	Use pans that are absolutely flat and match the diameter of the surface unit selected.
Surface elements do not work properly	Cooktop controls improperly set.	Check to be sure the correct control is set for the surface element you are using.
Power arc ON indicator blinking	+, -, or control lock pads have been touched before an element is turned on.	See the Operating the Cooking Elements section.
Scratches on cooktop glass surface	Incorrect cleaning methods being used.	Use recommended cleaning procedures. See the Cleaning the glass cooktop section.
	Cookware with rough bottoms being used or coarse particles (salt or sand) were between the cookware and the surface of the cooktop. Cookware has been slid across the cooktop surface.	To avoid scratches, use the recommended cleaning procedures. Make sure bottoms of cookware are clean before use, and use cookware with smooth bottoms.
Areas of discoloration on the cooktop	Food spillovers not cleaned before next use.	See the Cleaning the glass cooktop section.
	Hot surface on a model with a light-colored glass cooktop.	This is normal. The surface may appear discolored when it is hot. This is temporary and will disappear as the glass cools.
Plastic melted to the surface	Hot cooktop came into contact with plastic placed on the hot cooktop.	See the Glass surface – potential for permanent damage section in the Cleaning the glass cooktop section.
Pitting (or indentation) of the cooktop	Hot sugar mixture spilled on the cooktop.	Call a qualified technician for replacement.
Unresponsive keypad	Keypad is dirty.	Clean the keypad.
	A fuse in your home may be blown or the circuit breaker tripped.	Replace the fuse or reset the circuit breaker.



Radiante Table de cuisson

Consignes De Sécurité	2
Garantie	4
Assistance / Pièces et accessoires	5
Utilisation de la table de cuisson	
Fonctions de la table de cuisson	6
Table de cuisson en verre à éléments radiants	7
Conseils pour la mise en conserve	7
Batterie de cuisine pour table de cuisson en verre radiant	8
Pour des résultats optimums	8
Cycle de l'élément	9
Fonctionnement des éléments de cuisson ..	9
Réglage du brûleur	9
Extinction d'un ou de plusieurs brûleurs ..	10
Sélection des réglages de la table de cuisson	10
Comment synchroniser les éléments de gauche	10
Verrouillage de la table de cuisson	11
Minuterie de cuisine simple	11
Minuteries multiples	12
Témoin lumineux de surface chaude	12
Réglages personnalisés	13
Plaque chauffante (accessoire en option) ..	14
Entretien et nettoyage	
Nettoyage de la vitre de la table de cuisson	15
Trucs de dépannage	20

Manuel du Propriétaire

PP9030
PP9036

Inscrivez ci-dessous les numéros de
modèle et de série

N° de modèle _____

N° de série _____

Ils se trouvent sur une étiquette sous
la table de cuisson.

CONSIGNES DE SÉCURITÉ IMPORTANTES. VEUILLEZ LIRE TOUTES LES CONSIGNES AVANT D'UTILISER L'APPAREIL.

▲ AVERTISSEMENT!

Veillez lire toutes les consignes avant d'utiliser ce produit. Le non-respect de ces instructions pourrait entraîner un incendie, un choc électrique, une blessure grave voire la mort.

▲ AVERTISSEMENT! CONSIGNES GÉNÉRALES DE SÉCURITÉ

- Utilisez cette table de cuisson uniquement aux fins auxquelles elle a été destinée et de la façon décrite dans le présent manuel d'utilisation.
- Assurez-vous que votre table de cuisson est correctement installée et fixée au sol par un installateur qualifié, selon les instructions d'installation fournies.
- N'essayez pas de réparer ni de remplacer une pièce de votre table de cuisson, à moins que cela ne soit spécifiquement recommandé dans ce manuel. Toute autre réparation doit être effectuée par un technicien qualifié.
- Avant d'effectuer quelque réparation, débranchez la table de cuisson ou coupez l'alimentation électrique au panneau de distribution électrique du domicile en retirant le fusible ou en désarmant le disjoncteur.
- Ne laissez pas les enfants sans surveillance - Les enfants ne doivent pas être laissés seuls ni sans surveillance dans la zone d'utilisation de la table de cuisson. Ils ne doivent jamais grimper, s'asseoir ou se tenir debout sur la table de cuisson.
- **▲ MISE EN GARDE:** Ne rangez pas d'articles attrayants pour les enfants au-dessus de la table de cuisson; les enfants qui grimpent sur la table pour atteindre les articles risquent de se blesser gravement.
- Utilisez uniquement des poignées sèches ; l'utilisation de poignées humides ou mouillées pourrait entraîner des brûlures par vapeur. Ne laissez pas les poignées entrer en contact avec les éléments chauffants.
- N'utilisez jamais votre table de cuisson pour réchauffer ou chauffer une salle.
- Ne touchez pas aux éléments de surface. Même s'ils présentent une couleur foncée, ces éléments peuvent devenir chauds au point de brûler la peau. Durant et après l'utilisation, évitez de toucher aux éléments de surface et ne laissez pas de vêtements ni d'autres matières inflammables au contact ou à proximité de ces éléments chauffants; allouez d'abord suffisamment de temps pour leur refroidissement.
- En plus de la table de cuisson, les surfaces y faisant face peuvent aussi devenir très chaudes.
- Ne faites pas chauffer de contenants de nourriture fermés. La pression pourrait faire exploser le contenant et ainsi causer des blessures.
- Faites bien cuire la viande et la volaille à cœur ; la viande doit atteindre une température interne minimale de 71°C (160°F), la volaille, de 82°C (180°F). La cuisson à ces températures est normalement suffisante pour vous protéger des intoxications alimentaires.

▲ AVERTISSEMENT! GARDER LES MATÉRIAUX INFLAMMABLES À L'ÉCART DE LA TABLE DE CUISSON

Le non-respect de ces instructions pourrait entraîner un incendie ou une blessure.

- Ne rangez ni n'utilisez de matériaux inflammables à l'intérieur ou à proximité de la table de cuisson, y compris du papier, du plastique, des poignées, des nappes, des revêtements muraux, des rideaux, des stores ainsi que de l'essence ou d'autres vapeurs ou liquides inflammables.
- Ne portez jamais de vêtements amples lorsque vous utilisez cette table de cuisson. Ces vêtements pourraient s'enflammer s'ils entrent en contact avec des surfaces chaudes, ce qui pourrait entraîner des brûlures graves.
- Ne laissez pas s'accumuler la graisse de cuisson ou autres matières inflammables sur la table de cuisson ou à proximité de celui-ci. Cette graisse pourrait s'enflammer.

LISEZ CES INSTRUCTIONS ET RANGEZ-LES SOIGNEUSEMENT

▲ AVERTISSEMENT! CONSIGNES DE SÉCURITÉ — TABLE DE CUISSON

- Dans l'éventualité d'un incendie, n'utilisez pas d'eau pour tenter d'éteindre un feu causé par de la graisse. N'empoignez jamais une poêle en feu. Éteignez les commandes (Off). Pour étouffer les flammes d'une poêle en feu sur un élément de surface, couvrez celle-ci complètement avec un couvercle bien adapté, une tôle à biscuits ou un plateau plat. Utilisez un extincteur à poudre ou à mousse d'usages multiples.
- Ne laissez jamais les éléments de surface sans surveillance s'ils sont réglés à moyenne ou haute température. Les débordements par bouillonnement engendrent de la fumée et de l'écoulement de graisse qui peut prendre feu.
- Ne laissez jamais de l'huile sans surveillance en cours de friture. L'huile qui chauffe au-delà de son point d'ébullition peut prendre feu et enflammer les armoires environnantes. Utilisez un thermomètre à matière grasse le plus souvent possible pour surveiller la température de l'huile.
- Pour éviter un renversement d'huile et l'inflammation, utilisez une quantité d'huile minimale lors d'une friture dans une poêle peu profonde et évitez de cuire des aliments congelés qui contiennent une grande proportion de glace.
- Utilisez une poêle de taille appropriée — Choisissez des ustensiles de cuisine à fond plat suffisamment grands pour couvrir la surface de l'élément chauffant. Autrement, une partie de l'élément de surface sera directement exposé, posant ainsi un risque d'inflammation des vêtements. Une bonne adaptation de l'ustensile à l'élément de surface améliore aussi l'efficacité de la cuisson.
- Pour réduire les risques de brûlure, d'allumage de matières inflammables et de débordement, la poignée de l'ustensile doit être orientée vers le centre de la table de cuisson sans se prolonger au-dessus des éléments de surface adjacents.

▲ AVERTISSEMENT! CONSIGNES DE SÉCURITÉ CONCERNANT LES ÉLÉMENTS RADIANTS

- Certains types de contenants en verre, vitrocéramique, grès ou vernis sont adaptés à cette table de cuisson. Les autres matériaux peuvent d'endommager à cause du changement brusque de température.
- Faites attention lors du contact avec la table de cuisson. La surface vitrée de la table de cuisson conservera la chaleur après l'extinction des commandes.
- Ne cuisinez pas sur une table de cuisson endommagée. Advenant le bris de la table de cuisson en vitrocéramique, les solutions de nettoyage et les débordements pourraient pénétrer dans la table de cuisson et générer un risque de décharge électrique. Contactez sur le champ un technicien qualifié.
- Évitez de rayer la vitre de la table de cuisson. La table de cuisson est susceptible d'être éraflée par les couteaux, les instruments pointus, les anneaux ou autres bijoux, et les rivets présents sur les vêtements.
- Ne mettez et ne rangez pas d'objets qui pourraient fondre ou prendre en feu sur la table de cuisson en vitrocéramique, et ce, même lorsque vous ne l'utilisez pas. Ils pourraient prendre feu si la table de cuisson est activée accidentellement. De plus, la chaleur provenant de la table de cuisson ou de la ventilation du four pourrait avoir le même effet.
- Pour nettoyer la table de cuisson, utilisez le nettoyant pour table à cuisson en vitrocéramique CERAMA BRYTE® et le tampon de nettoyage CERAMA BRYTE®. Avant de procéder au nettoyage, attendez que la table de cuisson soit refroidie et que le témoin lumineux se soit éteint. Une éponge ou un chiffon humide sur une surface chaude risque de causer des blessures dues à la vapeur. Certains nettoyants peuvent produire des fumées toxiques dans le cas d'une application sur une surface chaude. Lisez et respectez toutes les instructions et avertissements sur les étiquettes des crèmes de nettoyage. REMARQUE : Les dégâts de matières sucrées constituent une exception. Il faut les gratter alors qu'ils sont encore chauds à l'aide de gants de cuisine et d'un grattoir. Pour obtenir de plus amples renseignements, consultez la section sur le nettoyage de la table de cuisson en vitrocéramique.

LISEZ CES INSTRUCTIONS ET RANGEZ-LES SOIGNEUSEMENT

Merci ... d'avoir acheté un appareil GE !

Enregistrez votre appareil : Enregistrez votre nouvel appareil en ligne à tout moment.

www.geappliances.com/service_and_support/register/

Si vous enregistrez votre produit sans délai, la communication sera meilleure et le service plus rapide en vertu des conditions de votre garantie, si son utilisation s'avère nécessaire. Vous pouvez également envoyer par la poste la carte d'enregistrement pré-imprimée incluse dans les matériaux d'emballage.

Garantie couvrant la table de cuisson électrique GE

GEAppliances.com

Tout entretien ou réparation en vertu de la garantie est fourni par nos Centres d'entretien et de réparation de l'usine ou par un technicien autorisé de Customer Care®. Pour fixer un rendez-vous en ligne, consultez notre site www.geappliances.com/service_and_support/, ou téléphonez au 800.GE.CARES (800.432.2737). Veuillez avoir vos numéros de série et de modèle à portée de main lors de l'appel.

L'entretien de votre appareil pourrait nécessiter l'utilisation d'un accès aux données embarquées pour le diagnostic. Cela permet au technicien de l'atelier de réparation GE de diagnostiquer rapidement toute défaillance de votre électroménager et à GE d'améliorer la qualité de ses produits. Si vous ne souhaitez pas transmettre les données de votre appareil à GE, veuillez aviser votre technicien de s'en abstenir au moment de la visite de service.

Durant une période de un (1) an à partir de la date d'achat initial, GE remplacera toute pièce défectueuse en raison d'un vice de matière ou de fabrication. Durant cette garantie limitée de un (1) an, GE assumera aussi tous les frais de main-d'œuvre et de service à domicile visant à remplacer la pièce défectueuse.

Ce que GE ne couvre pas :

- L'envoi d'un technicien chez vous pour vous montrer comment utiliser le produit.
- Une installation, une livraison ou un entretien inadéquats.
- Une panne du produit suite à une utilisation abusive ou inadéquate, une modification, un usage autre que celui auquel il a été destiné ou un usage commercial.
- Le remplacement des fusibles de votre résidence ou le réenclenchement des disjoncteurs.
- Les dommages au produit causés par un accident, un incendie, une inondation ou une catastrophe naturelle.
- Les dommages indirects ou accidentels causés par des défaillances possibles de cet appareil.
- Les dommages survenus après la livraison.
- Le service s'il est impossible d'avoir accès au produit.
- Le service pour réparer ou remplacer les ampoules, à l'exception des lampes DEL.

EXCLUSION DES GARANTIES IMPLICITES

Votre seul et unique recours est la réparation du produit selon les dispositions de la présente garantie limitée. Toutes garanties implicites, y compris les garanties implicites de qualité marchande et d'adéquation à un usage spécifique, sont limitées à un an ou à la plus courte période permise par la loi.

Cette garantie est offerte à l'acheteur initial et à tout propriétaire subséquent d'un produit acheté aux États-Unis à des fins d'usage domestique. Si le produit est situé dans une localité où un réparateur autorisé GE n'est pas disponible, vous pourriez encourir des frais de déplacement ou devoir acheminer le produit à un réparateur autorisé GE pour faire réparer l'appareil. En Alaska, cette garantie exclut les frais d'expédition et les visites de service à votre domicile. Certains États ou provinces ne permettent pas l'exclusion ou la restriction des dommages accessoires ou indirects. Certains droits particuliers vous sont dévolus en vertu de la présente garantie et peuvent s'accompagner d'autres droits qui varient selon votre lieu de résidence. Pour connaître la nature exacte de vos droits, consultez l'organisme de protection du consommateur de votre région, ou encore le bureau du procureur général de l'État.

Garant : General Electric Company. Louisville, KY 40225

Prolongation de garantie : Achetez un contrat d'entretien GE et informez-vous des rabais spéciaux en vigueur pendant toute la durée de votre garantie. Vous pouvez vous le procurer en tout temps sur

www.geappliances.com/service_and_support/shop-for-extended-service-plans.htm

ou en composant le 800.626.2224 durant les heures normales de bureau. Les services à domicile GE seront toujours disponibles après l'expiration de la garantie.

Agrafez ici votre reçu. Une preuve de l'achat original est requise pour l'accès à l'entretien et aux réparations en vertu de la garantie.

Vous avez une question ou vous avez besoin d'assistance avec votre appareil ?

Consultez le site internet des appareils GE (www.geappliances.com/service_and_support/) 24 heures sur 24, 7 jours sur 7. Pour une plus grande commodité et pour un service plus rapide, vous pouvez maintenant télécharger les manuels d'utilisation, commander certaines pièces et même fixer un rendez-vous pour l'entretien en ligne.

Rendez-vous pour l'entretien : Le service de réparation par un expert de GE ne se trouve qu'à un pas de votre porte. Connectez-vous à Internet et fixez votre rendez-vous sur www.geappliances.com/service_and_support/ ou appelez le 800.GE.CARES (800.432.2737) pendant les heures de bureau.

Pièces et accessoires : Les personnes qualifiées pour entretenir leur propre appareil peuvent recevoir des pièces ou des accessoires directement chez eux (les cartes Visa, MasterCard et Discover sont acceptées). Commandez en ligne dès aujourd'hui, 24 heures sur 24, ou appelez au 800.626.2002 pendant les heures de bureau.

Les instructions qui se trouvent dans le présent manuel couvrent les procédures devant être effectuées par n'importe quel utilisateur. L'entretien et les réparations qui ne se trouvent pas ici doivent généralement être confiés à du personnel qualifié. Il est nécessaire de faire preuve de prudence, un entretien inapproprié pourrait entraîner une utilisation non-sécuritaire de l'appareil.

Contactez-nous : Si vous n'êtes pas satisfait du service que vous recevez de GE, contactez-nous au moyen de notre site internet en nous fournissant tous les détails nécessaires, y compris votre numéro de téléphone, ou écrivez à :

**General Manager, Customer Relations
GE Appliances, Appliance Park Louisville, KY 40225**

Pièces et accessoires

Pour passer commande, consultez notre site internet à l'adresse suivante :

www.GEApplianceParts.com (U.S.) ou **www.GEAppliances.ca** (Canada)

ou composez le **800.626.2002** (U.S.) **800.661.1616** (Canada)

Les pièces suivantes sont disponibles :

Pièces

Plaque chauffante	JXGRIDL1
Nettoyant et polisseur pour acier inoxydable	PM10X311

Comment retirer le film protecteur d'expédition et le ruban adhésif d'emballage

Saisissez délicatement un coin du film protecteur d'expédition avec vos doigts et le décollez lentement de la surface de l'appareil. N'utilisez pas d'objets pointus pour retirer le film. Retirez complètement le film avant d'utiliser l'appareil pour la première fois.

Pour assurer ne pas endommager la finition du produit, la façon la plus sûre pour enlever le ruban adhésif de l'emballage sur les nouveaux appareils consiste à appliquer un détergent à vaisselle liquide à l'aide d'un chiffon doux et à laisser tremper.

REMARQUE : Le ruban adhésif doit être retiré de toutes les pièces. Il ne pourra pas être retiré après cuisson.

Fonctions de la table de cuisson

Dans le présent manuel, les caractéristiques et leur apparence peuvent être différentes de celles de votre modèle.

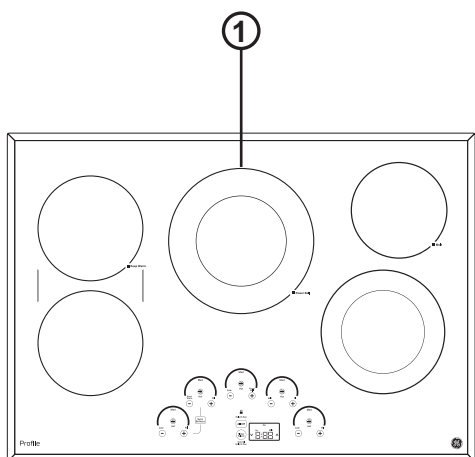
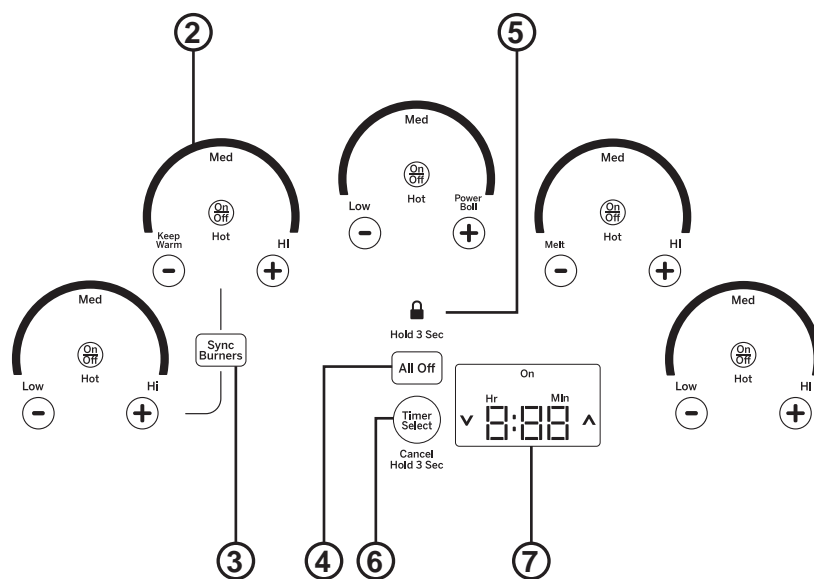


Table de cuisson de 30 po



Commandes de l'interface utilisateur

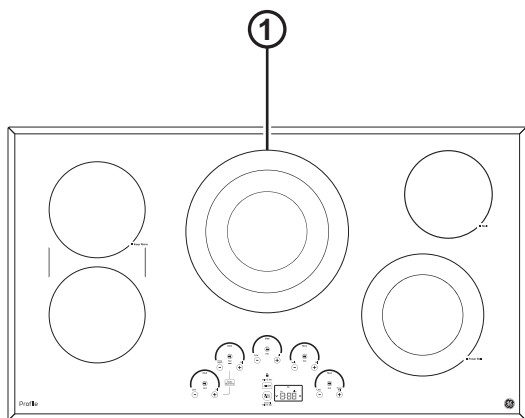
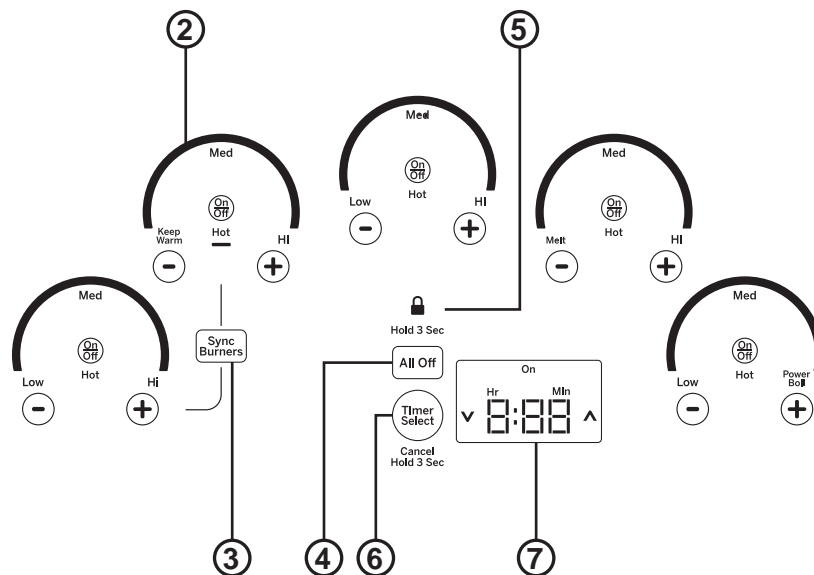


Table de cuisson de 36 po



Commandes de l'interface utilisateur

1. **Cooking Element(s) (élément(s) de cuisson)** : Voir la Figure 9.
2. **Power Level Arc (arc du niveau de puissance)** : Voir la Figure 9.
3. **Sync Burners (synchronisation des brûleurs)** : Voir la Figure 10.
4. **All Off (tous éteints)** : Voir la Figure 10.
5. **Lock (verrouillage)** : Voir la Figure 11.
6. **Timer Select (sélection de la minuterie)** : Voir la Figure 11.
7. **Display (affichage)** : Voir la Figure 11.

Table de cuisson en verre à éléments radiants

La surface de cuisson radiante est dotée d'éléments chauffants situés sous la surface de cuisson en verre.

REMARQUE : Il est normal de sentir une légère odeur lorsque la surface de cuisson neuve est utilisée pour la première fois. Cette odeur est attribuable aux nouvelles pièces et aux matériaux isolants qui chauffent et disparaîtra rapidement.

REMARQUE : Les éléments de surface de la table de cuisson réagissent rapidement. Les éléments de la table de cuisson chaufferont ou se refroidiront le plus rapidement possible selon le niveau de réglage de puissance choisi.

La température de la table de cuisson augmente selon le nombre d'éléments en marche. La température sera élevée si 3 ou 4 éléments sont en marche. Soyez prudent toujours lorsque vous êtes en contact avec la table de cuisson.



Ne faites jamais cuire d'aliments directement sur la surface en verre. Utilisez toujours un ustensile de cuisson.



Placez toujours l'ustensile de cuisson au centre de l'élément sur lequel vous effectuez la cuisson.



Ne faites jamais glisser d'ustensiles sur la surface de cuisson car vous risquez d'égratigner le verre. Bien qu'elle soit résistante, la surface en verre n'est pas à l'épreuve des égratignures.

Conseils pour la mise en conserve

Placez le cuiseur sous pression au centre de l'élément de surface.

Assurez-vous que son fond est plat.

Pour éviter les brûlures causées par la vapeur ou la chaleur, soyez prudent lorsque vous faites des conserves.

Suivez des recettes et des procédures de sources fiables. Vous pouvez vous les procurer auprès de fabricants comme Ball® et Kerr®, ainsi que du ministère de l'Agriculture.

Les cuiseurs à pression à fond plat sont recommandés. Les bains-marie à fond ondulé peuvent allonger le temps nécessaire pour que l'eau atteigne le point d'ébullition.

Batterie de cuisine pour table de cuisson en verre radiant

Les renseignements qui suivent vous aideront à choisir un ustensile de cuisson offrant un bon rendement sur une surface de cuisson en verre.

Acier inoxydable :
recommandé

Aluminium :
épais – recommandé

Bonne conductivité. Sur la surface de cuisson, l'aluminium laisse parfois des résidus qui ressemblent à des égratignures. Ces résidus peuvent disparaître si la surface est nettoyée immédiatement. En raison de son point de fusion peu élevé, il n'est pas recommandé d'utiliser l'aluminium mince.

Fond en cuivre :
recommandé

Le cuivre laisse des résidus qui ressemblent à des égratignures. Vous pouvez les faire disparaître en nettoyant immédiatement la surface de cuisson. Cependant, évitez de faire chauffer ces ustensiles à vide. Le métal surchauffé peut adhérer à la surface de verre. Un ustensile dont le fond en cuivre a été surchauffé laisse un résidu qui tachera de façon permanente la surface de cuisson si vous ne faites pas disparaître le résidu immédiatement.

Émail vitrifié sur fonte :
recommandé si le fond de l'ustensile est émaillé.

Émail vitrifié sur acier :
non recommandé

Si l'ustensile vide surchauffe, il pourrait causer des dommages permanents à la surface de cuisson en verre. L'émail vitrifié peut fondre et adhérer à la surface de cuisson en vitrocéramique.

Vitrocéramique :
non recommandée

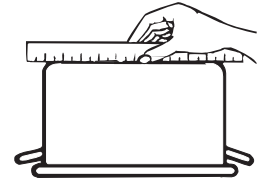
Rendement médiocre. Égratignera la surface de cuisson.

Grès :
non recommandé

Rendement médiocre. Peut égratigner la surface.

Fonte :
non recommandée—à moins que l'ustensile soit spécialement conçu pour les surfaces de cuisson en verre

Faible conductivité et absorption lente de la chaleur. Égratignera la surface de cuisson.



Vérifiez à l'aide d'une règle si le fond de votre ustensile est plat.



Il n'est pas recommandé d'utiliser un ustensile dont le fond est bombé, incurvé, ondulé ou déformé.

REMARQUE : Observez toutes les recommandations du fabricant de l'ustensile de cuisson lorsque vous utilisez un type quelconque d'ustensiles sur la surface de cuisson en vitrocéramique.

Pour des résultats optimums

- Ne placez que des ustensiles de cuisson bien secs sur les éléments chauffants. Ne déposez pas de couvercles sur les éléments chauffants, particulièrement lorsqu'ils sont mouillés.
- N'utilisez pas de woks soutenus au moyen d'un anneau. Ces woks ne chauffent pas sur les éléments de la surface de cuisson en verre.
- Nous vous recommandons d'utiliser seulement un wok à fond plat. Vous trouverez ce type de wok chez votre détaillant local. Le fond du wok doit avoir le même diamètre que l'élément de surface pour permettre un bon contact.
- Certaines techniques de cuisson exigent un ustensile spécial, par exemple un autocuiseur, une friteuse, etc. Tous ces ustensiles doivent avoir un fond plat et être de dimensions appropriées.



Ne placez pas d'ustensiles de cuisson mouillés sur la surface de cuisson en verre.



N'utilisez pas sur la surface de cuisson en verre un wok soutenu par un anneau.



Utilisez un wok à fond plat sur la surface de cuisson en verre.

Cycle de l'élément

Les éléments de surface chaufferont et s'éteindront afin de maintenir la température choisie. Tous les éléments radiants de surface sont équipés d'un limiteur de température afin d'éviter une température trop élevée de la table de cuisson. Ce cycle est normal. Le limiteur de température éteint les éléments plus souvent lorsque :

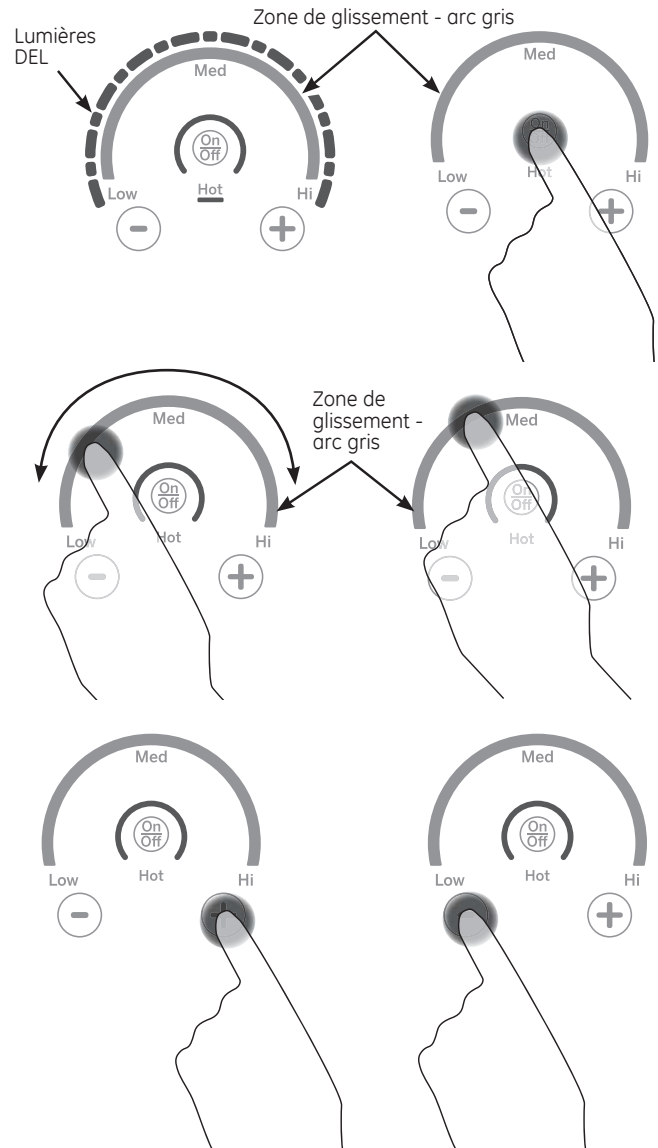
- La casserole se vide.
- Le fond de la casserole n'est pas plat.
- La casserole n'est pas centrée.
- S'il n'y a pas de casserole sur l'élément.

Fonctionnement des éléments de cuisson

Mise en marche d'un ou de plusieurs brûleurs : Appuyez sur la touche **On/Off (marche/arrêt)** et maintenez-la enfoncée pendant environ une demie seconde. Chaque fois que vous appuyez sur une touche, vous entendrez un son.

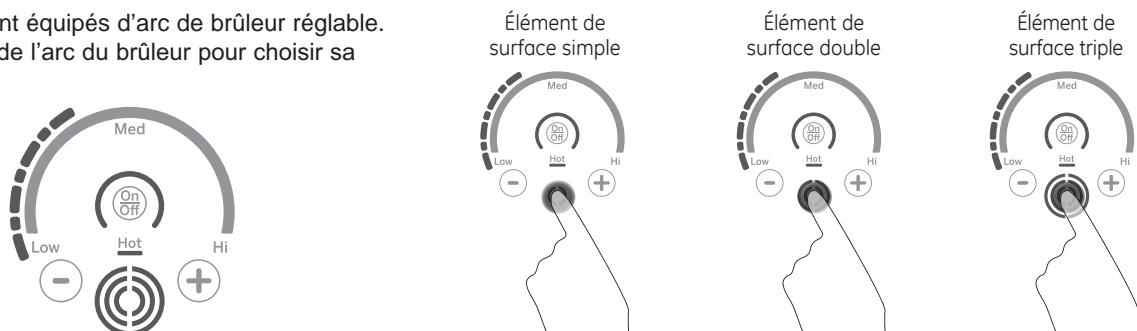
Vous pouvez sélectionner le niveau de puissance de n'importe laquelle des manières suivantes :

1. **Réalisez un glissement sur l'arc gris** (sur l'image) jusqu'au niveau de puissance souhaité. **Il n'y a aucun capteur sur les DEL**, ou;
2. Appuyez sur **n'importe quel endroit** de l'arc gris, ou;
3. Pour régler le niveau de puissance, appuyez sur **+** ou **-**, ou;
4. Raccourci pour le réglage Hi (chaleur élevée) : Immédiatement après avoir mis l'appareil en marche, appuyez sur la touche **+**, ou;
5. Raccourci pour le réglage Low (chaleur basse) : Immédiatement après avoir mis l'appareil en marche, appuyez sur **-**.



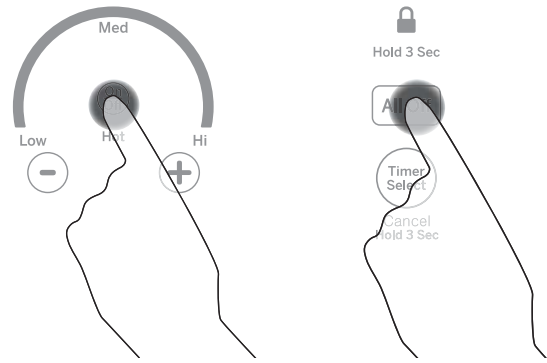
Réglage du brûleur

Certains éléments sont équipés d'arc de brûleur réglable. Appuyez sur l'image de l'arc du brûleur pour choisir sa dimension.



Extinction d'un ou de plusieurs brûleurs

Appuyez sur la touche **On/Off** pour éteindre un seul brûleur ou sur la touche **All Off** pour les éteindre tous.



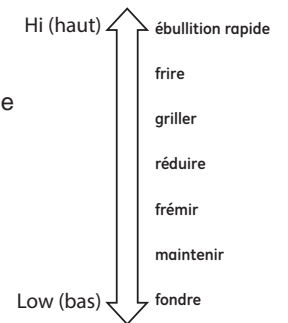
Sélection des réglages de la table de cuisson

Choisissez l'élément/brûleur qui est le plus adéquat pour la taille de l'ustensile de cuisine. Chaque élément/brûleur de votre nouvelle table de cuisson possède son propre niveau de puissance variant d'une chaleur basse à élevée. Les réglages du niveau de puissance pour la cuisson varieront selon l'ustensile de cuisine utilisé, le type et la quantité des aliments, et le résultat souhaité. De façon générale, utilisez les réglages inférieurs pour faire fondre, maintenir la température ou faire mijoter, et utiliser les réglages supérieurs pour faire chauffer rapidement, griller et frire. Lorsque vous souhaitez maintenir des aliments chauds, assurez-vous que le réglage choisi est suffisant pour maintenir la température des aliments au-delà de 140 °F. Les éléments plus grands et ceux pour lesquels il est indiqué « Keep Warm » (garder chaud) ne sont pas recommandés pour faire fondre des aliments.

« Hi » correspond au niveau de puissance le plus élevé; il est conçu pour la cuisson rapide de grandes quantités et pour amener à ébullition. Le réglage « Hi » fonction pendant au maximum 10 minutes. Il est possible de répéter le réglage « Hi » après le cycle de 10 minutes initial en appuyant sur la touche +.

⚠ MISE EN GARDE :

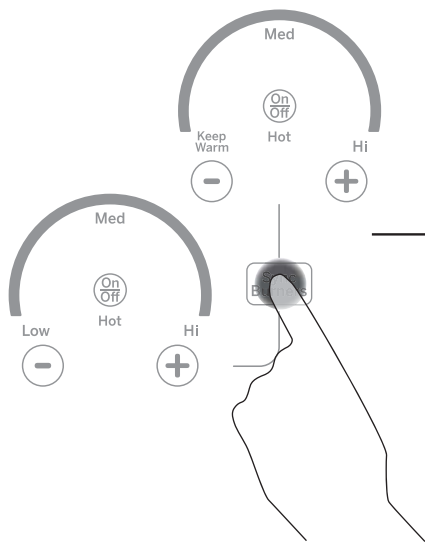
Ne placez ni ustensile de cuisine ni casserole sur les touches de commande et n'y laissez aucune accumulation d'eau. Si une de ces situations dure plusieurs secondes, il y a risque de rendre les touches inopérantes et d'éteindre la table de cuisson.



Comment synchroniser les éléments de gauche

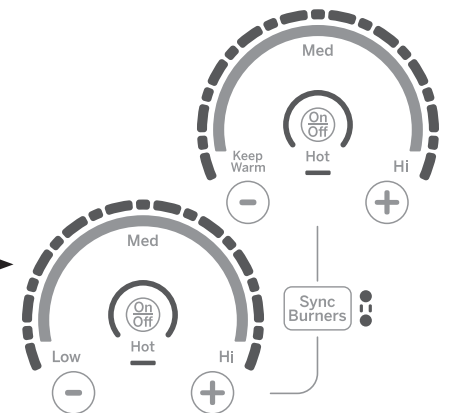
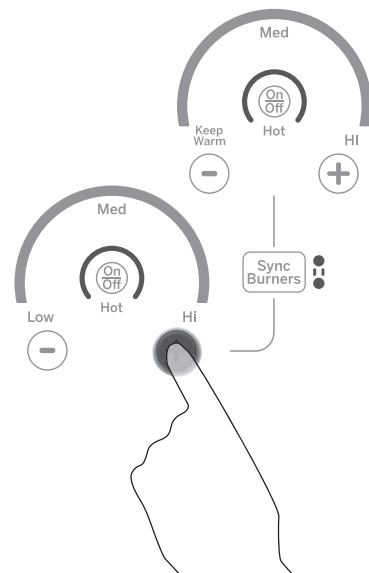
Pour activer

Maintenez la touche **Sync Burners** enfoncée pendant environ une demi-seconde pour brancher les deux brûleurs. Pour régler le niveau de puissance, utilisez l'un ou l'autre des éléments comme décrit à la page 7.



Pour désactiver

1. Pour désactiver la synchronisation des brûleurs, appuyez sur la touche **On/Off** sur l'un ou l'autre des brûleurs.
- ou
2. Pour désactiver les deux brûleurs, appuyez sur la touche **Sync Burners**.



Verrouillage de la table de cuisson

Verrouillage

Appuyez sur la touche de **verrouillage** pendant 3 secondes.

Déverrouillage

Appuyez de nouveau sur la touche de **verrouillage** pendant 3 secondes.

Pour activer la fonction de verrouillage automatique, consultez la section Réglages personnalisés.

Symbole/témoin de verrouillage des commandes



Verrouillage de la table de cuisson verrouillage des commandes

Minuterie de cuisine simple

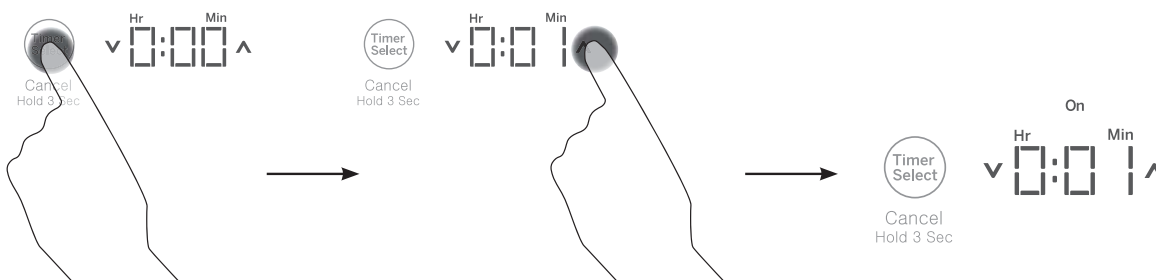
Pour activer

Appuyez sur la touche **Timer Select**. Pour choisir le nombre de minutes souhaité, appuyez sur les flèches **▲** ou **▼**. La minuterie démarre automatiquement 3 secondes après avoir appuyé sur la touche. La DEL « ON » (activé) s'affichera automatiquement lorsque la minuterie est configurée.

Pour désactiver

Pour annuler la minuterie, maintenez la touche **Timer Select** enfoncée pendant 3 secondes. L'alarme se fera entendre de façon continue lorsque le temps se sera écoulé, et ce, jusqu'à ce que la minuterie soit désactivée.

REMARQUE : Utilisez la minuterie de cuisine pour mesurer le temps de cuisson ou comme rappel. La minuterie de cuisine ne contrôle pas les éléments de cuisson. La minuterie se désactive s'il n'y a aucune activité pendant plus de 30 secondes.



Minuteries multiples

Mode de minuterie

Pour en savoir plus, consultez les fonctions Réglages personnalisés, Mode de minuterie et Minuteries multiples. Il est possible de lier chaque brûleur à une minuterie. Pour pouvoir définir la minuterie, le brûleur doit être en marche. Lorsque plus d'un brûleur est en marche, l'ordre de la minuterie s'établit de gauche à droite.

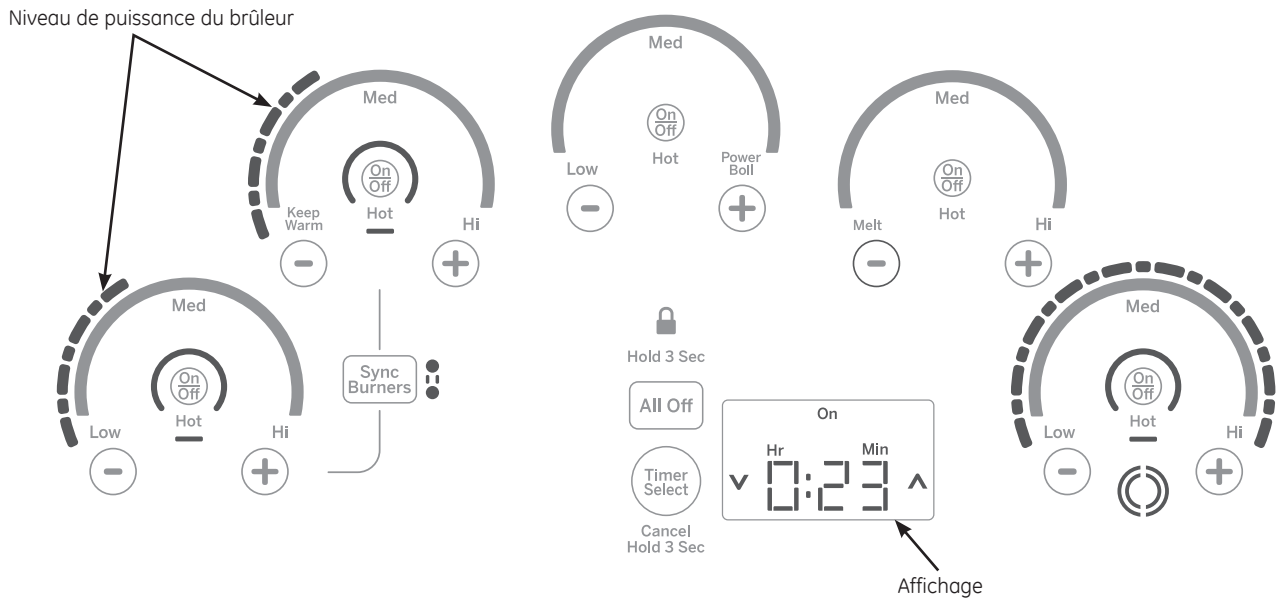
Pour activer des minuteries multiples

1. Appuyez sur la touche **Timer Select**. Le niveau de puissance du brûleur correspondant et l'affichage clignotent. Appuyez sur les flèches **▲** ou **▼** pour ajuster le temps. La minuterie démarre automatiquement après 3 secondes si vous ne réalisez aucune action supplémentaire. La DEL « ON » (activé) s'allume lorsque la minuterie est activée.

2. Pour configurer la minuterie pour le brûleur suivant, appuyez sur la touche **Timer Select**. Le niveau de puissance du brûleur correspondant et l'affichage clignotent. Appuyez sur les flèches **▲** ou **▼** pour ajuster le temps. La minuterie démarre automatiquement après 3 secondes si vous ne réalisez aucune action supplémentaire. La DEL « ON » (activé) s'allume lorsque la minuterie est activée. Pour les minuteries restantes, répétez ces étapes.

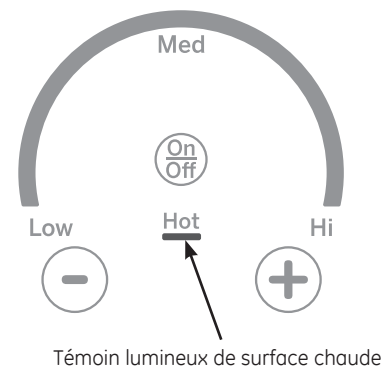
Pour désactiver des minuteries multiples

Pour annuler la minuterie, maintenez la touche **Timer Select** enfoncée pendant 3 secondes. Le niveau de puissance du brûleur correspondant et l'affichage clignotent. Lorsque la durée de fonctionnement du brûleur est écoulée, celle de la minuterie l'est également.



Témoin lumineux de surface chaude

Un témoin lumineux de surface chaude (un pour chacun des éléments de cuisson) s'allume lorsque la surface en vitre est chaude et elle demeure chaude jusqu'à ce que la surface se soit refroidie à un point où il est sécuritaire d'y toucher.



Réglages personnalisés

1. Appuyez sur la touche **All Off** et maintenez-la enfoncée pendant 3 secondes, puis appuyez immédiatement sur la touche **Timer Select** et maintenez-la enfoncée pendant 3 secondes pour entrer les réglages personnalisés. On doit appuyer sur ces touches dans un intervalle de 30 secondes. Si l'on appuie sur toute autre touche, le mode sera annulé.
2. "C - -" s'affiche. Utilisez les touches **Λ** (haut) ou **V** (bas) pour naviguer dans les réglages personnalisés. Si **Λ** (haut) est sélectionné, le cycle d'affichage commence à « C01 ». Si **V** (bas) est sélectionné, le cycle d'affichage commence à « C62 ».
3. Pour activer un nouveau réglage personnalisé, l'utilisateur doit appuyer sur la touche **Timer Select** et la maintenir enfoncée pendant 3 sec. Seul UN des choix de réglage personnalisé peut être activé pour chacun des réglages personnalisés. La DEL « On » s'allume et un son se fera entendre une fois qu'un nouveau réglage personnalisé aura été activé.
4. La surface de cuisson quittera les réglages personnalisés si elle est inactive pendant 3 minutes.
5. Pour sortir des réglages personnalisés et enregistrer tout changement, appuyez sur la touche **All Off** et maintenez-la enfoncée pendant 3 secondes.

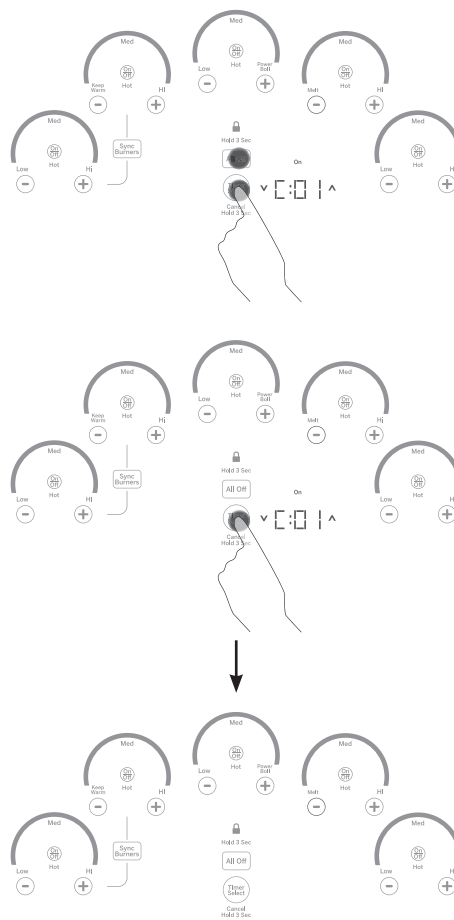


Tableau des réglages personnalisés

Réglages personnalisés	Choix de réglage personnalisé
C0 (Réglages d'usine)	C01 - Réinitialisation aux réglages d'usine (permet d'effacer les réglages personnalisés et de restaurer les valeurs par défaut)
	C02 - Réglages personnalisés activés (non visibles à moins que tout autre réglage personnalisé soit sélectionné. De plus, il est automatiquement activé lorsque tout autre réglage personnalisé est sélectionné. L'utilisateur ne peut sélectionner ce réglage).
C1 (Verrouillage des commandes)	C11 - Verrouillage standard (c.-à-d., uniquement lorsque le bouton de verrouillage est enfoncé pendant 3 secondes.) Si vous utilisez une minuterie, * Les options en gris sont les paramètres pas défaut Le verrouillage des commandes n'est pas disponible.
	C12 - Verrouillage automatique (c.-à-d., qu'il s'engage lorsque la table de cuisson est inactive pendant 10 minutes.) L'appareil doit être entièrement désactivé pour passer en mode de verrouillage automatique.
C2 (Niveau de luminosité des DEL)	C21 - Illumination complète
	C22 - Illumination moyenne
	C23 - Illumination la plus faible
C3 (Niveau sonore des boutons)	C31 - Tous les sons activés à 100 % (Pour les sons d'alarme, 100 % = si le niveau est réglé dans c4.)
	C32 - Le niveau sonore des boutons est réduit de 50 %, sons d'alarme à 100 %
	C33 - Les sons des boutons sont désactivés, les sons d'alarmes sont activés à 100 %
C4 (Niveau sonore de l'alarme de minuterie)	C41 - Élevé
	C42 - Bas
C5 (durée d'alarme de la minuterie)	C51 - Indéfinie (c.-à-d., que l'alarme continue jusqu'à ce qu'elle soit annulée par l'utilisateur).
	C52 - Sons d'alarme pendant 60 secondes.
	C53 - Sons d'alarme pendant 30 secondes.
	C54 - Sons d'alarme pendant 15 secondes.
C6 (Mode de minuterie)	C61 - Minuterie de cuisine simple (indépendante des éléments.)
	C62 - Minuterie multiple (liée à chacun des éléments.)

* Les options en gris sont des réglages par défaut

Plaque chauffante (accessoire en option)

Utilisation de la plaque chauffante

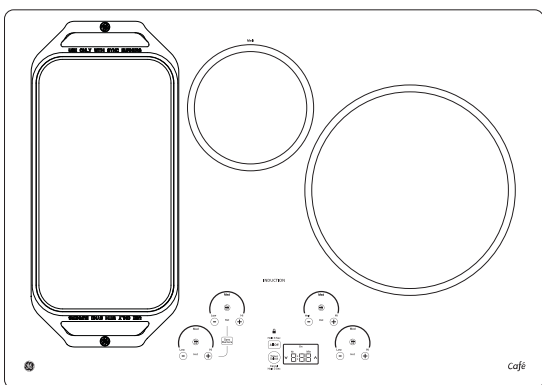
MISE EN GARDE Risque de brûlure

- Il est possible que la surface de la plaque chauffante soit suffisamment chaude pour vous causer des brûlures pendant et après son utilisation. Mettez en place et retirez la plaque chauffante lorsqu'elle est froide et que tous les éléments de la surface sont désactivés. Utilisez des gants de cuisine si vous devez toucher la plaque chauffante lorsqu'elle est chaude. Dans le cas contraire, vous pourriez vous brûler.
- Mettez en place et retirez la plaque chauffante uniquement lorsqu'elle est froide et que tous les brûleurs de la surface sont désactivés.

Avant d'utiliser cet ustensile de cuisine pour la première fois, lavez-le pour vous assurer qu'il est propre. Puis, enduisez légèrement la surface de cuisson d'huile de cuisine.

Comment positionner la plaque chauffante

IMPORTANT : Positionner et utilisez toujours votre plaque chauffante à l'emplacement désigné sur la table de cuisson.



REMARQUES IMPORTANTES :

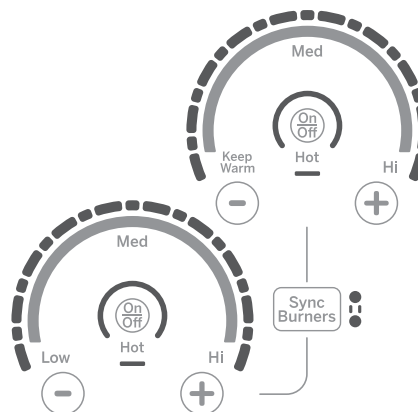
- Nettoyez la plaque chauffante avec une éponge et un détergent doux dans de l'eau chaude. N'utilisez PAS de tampon à récurer bleu ou vert ni de laine d'acier.
- Évitez de cuisiner des aliments très gras et prenez soin d'éviter les débordements de graisse pendant la cuisson.
- Ne mettez et ne rangez aucun objet sur la plaque chauffante, même lorsque vous ne l'utilisez pas. La plaque pourrait devenir chaude lors de l'utilisation des surfaces adjacentes.
- Évitez d'utiliser des ustensiles métalliques munis d'une pointe acérée ou d'un bord irrégulier qui pourraient endommager la plaque chauffante. Ne coupez pas d'aliments sur la plaque chauffante.
- N'utilisez pas d'ustensile de cuisine comme récipient de rangement pour l'huile des aliments. Il pourrait être taché de façon permanente et/ou des fissurations thermiques pourraient en résulter.
- Avec le temps et l'utilisation, la plaque chauffante se décolore.
- Ne nettoyez pas la plaque chauffante dans un four autonettoyant.
- Laissez toujours l'ustensile de cuisine se refroidir avant de l'immerger dans l'eau.
- Ne surchauffez pas la plaque chauffante.

Type d'aliments	Selon le réglage de cuisson
Réchauffer des tortillas	Moyen-bas
Crêpes	Moyen-bas
Hamburger	Moyen
Œufs frits	Moyen-bas
Chapelet de saucisses déjeuners	Moyen
Sandwichs chauds (comme un grilled cheese)	Moyen-bas

Les réglages de la plaque chauffante sont conçus comme ligne directrice et il est possible que vous deviez les adapter selon les préférences de cuisson de chacun.

Utilisation de la plaque chauffante

Pour activer la surface pour la totalité de la plaque chauffante, utilisez la fonction Sync Burner. Appuyez sur la touche **Sync Burner**, puis ajustez le niveau de puissance selon le réglage souhaité, comme décrit à la page 8.



Nettoyage de la vitre de la table de cuisson

Nettoyage Normal Quotidien

Utilisez la crème nettoyante CERAMA BRYTE® sur votre table de cuisson en vitrocéramique.

Pour entretenir et protéger votre table de cuisson en vitrocéramique, conformez-vous aux instructions suivantes :

1. Avant d'utiliser votre table de cuisson pour la première fois, nettoyez-la avec de la crème nettoyante CERAMA BRYTE® pour table de cuisson. Cela vous aidera à la protéger et à la conserver propre.
2. Votre table de cuisson conservera son aspect neuf si vous utilisez chaque jour la crème nettoyante CERAMA BRYTE® pour table de cuisson.
3. Secouez bien le flacon de crème nettoyante. Versez quelques gouttes de crème nettoyante CERAMA BRYTE® directement sur votre table de cuisson.

4. Utilisez une serviette en papier ou une éponge CERAMA BRYTE® pour table de cuisson en vitrocéramique afin de nettoyer la surface de la table de cuisson.
5. Utilisez un chiffon ou une serviette en papier pour nettoyer toute la surface de la table de cuisson. Pas besoin de rincer.

REMARQUE : Vous devez faire bien attention de ne pas faire chauffer la table de cuisson avant de la nettoyer complètement.

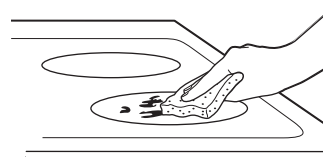


Nettoyez votre table de cuisson chaque fois qu'elle est sale. Utilisez la crème nettoyante CERAMA BRYTE® pour table de cuisson.

Résidus Calcinés

REMARQUE: Vous pouvez endommager votre surface en vitrocéramique si vous utilisez des éponges de récurage autres que celles comprises avec votre appareil.

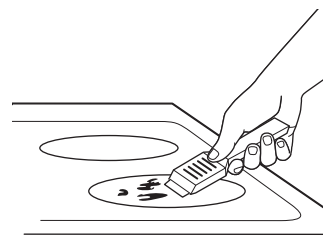
1. Laissez refroidir la table de cuisson.
2. Versez quelques gouttes de crème nettoyante CERAMA BRYTE® sur tous les résidus calcinés.
3. À l'aide de l'éponge de récurage CERAMA BRYTE® pour table de cuisson en vitrocéramique, frottez les résidus en exerçant la pression nécessaire.
4. S'il reste des résidus, répétez les opérations indiquées ci-dessus.
5. Pour mieux protéger après avoir enlevé les résidus, polissez toute la surface avec la crème nettoyante CERAMA BRYTE® et une serviette de papier.



Utilisez une éponge CERAMA BRYTE® pour table de cuisson en vitrocéramique.

Résidus Calcinés Difficiles À Enlever

1. Laissez refroidir la table de cuisson.
2. Tenez un grattoir à lame simple à un angle d'environ 45° sur la surface de vitrocéramique et raclez les résidus. Vous devrez exercer de la pression sur le grattoir à lame pour les enlever.
3. Après avoir enlevé les résidus avec le grattoir à lame, versez quelques gouttes de crème nettoyante CERAMA BRYTE® pour table de cuisson sur les résidus calcinés. Utilisez l'éponge CERAMA BRYTE® pour enlever les résidus restants.
4. Pour mieux protéger après avoir enlevé les résidus, polissez toute la surface avec la crème nettoyante CERAMA BRYTE® et une serviette de papier.



On peut se procurer le grattoir CERAMA BRYTE® pour table de cuisson en vitrocéramique et tous les accessoires recommandés dans nos Centres de pièces détachées. Consultez les instructions dans la section « Comment commander des pièces » à la page suivante.

REMARQUE : N'utilisez jamais une lame émoussée ou ébréchée.

Nettoyage de la vitre de la table de cuisson

Traces De Métal Et Rayures

1. Faites attention de ne pas faire glisser des ustensiles de cuisine sur votre table de cuisson. Ils laisseront des traces de métal sur la surface de vitrocéramique.
Vous pourrez enlever ces traces en appliquant la crème nettoyante CERAMA BRYTE® à l'aide de l'éponge CERAMA BRYTE® pour table de cuisson en vitrocéramique.
 2. Si vous laissez des casseroles recouvertes d'une couche d'aluminium ou de cuivre chauffer à sec, leur métal peut laisser des traces noires sur la table de cuisson.
Vous devez enlever ces traces immédiatement, avant de faire chauffer à nouveau la table de cuisson. Autrement, les traces risquent de devenir permanentes.
REMARQUE: Vérifiez toujours le fond de vos casseroles pour vous assurer qu'elles n'aient pas d'aspérités qui risquent de rayer la table de cuisson.
-

Domages causés par du sucre chaud ou des matières plastiques fondues

Vous devez porter un soin particulier à l'enlèvement des substances chaudes **pour éviter des dommages permanents à la surface en vitrocéramique**. Les dégâts de matières sucrées (comme les gelées, le fudge, les sucreries, les sirops) ou les plastiques fondus peuvent causer des piqûres à la surface de votre table de cuisson (non couvertes par la garantie) à moins que le dégât soit enlevé alors qu'il est encore chaud. On doit faire preuve d'une grande prudence lors de l'enlèvement de substances chaudes.

Assurez-vous d'utiliser un grattoir neuf tranchant comme un rasoir.

N'utilisez pas de lame émoussée ou en mauvais état.

1. Éteignez toutes les unités de la table de cuisson. Enlevez toutes les casseroles chaudes.
2. Portez des gants de cuisine :
 - a. Utilisez un grattoir à lame simple (grattoir CERAMA BRYTE® pour table de cuisson en vitrocéramique) pour repousser les matières fondues sur une surface froide de la table de cuisson.
 - b. Enlevez les matières fondues avec une serviette en papier.
3. Vous devez laisser toute matière fondue que vous n'avez pas réussi à enlever jusqu'à ce que la table de cuisson refroidisse complètement.
4. Ne réutilisez jamais la table de cuisson avant d'avoir enlevé complètement les résidus.
REMARQUE: S'il s'est déjà formé sur votre table de cuisson en vitrocéramique des creux ou des piqûres, vous devrez la remplacer. Dans ce cas, vous devez appeler le service.

Remarques

Remarques

Remarques

Trucs de dépannage ... Avant d'appeler le service à la clientèle

Économisez du temps et de l'argent! Consultez les tableaux des pages suivantes, et vous n'aurez peut-être pas à appeler le service à la clientèle. Si une erreur se produit dans l'utilisation des commandes, un code de défaillance s'affichera. Notez le code d'erreur et contactez le service.

Problème	Cause possible	Que faire?
Les éléments de surface n'assurent pas une ébullition continue ou la cuisson est lente	Utilisation d'un récipient incorrect.	Utilisez seulement des casseroles dont le fond est plat et adaptée à la dimension de l'élément de surface choisi.
Les éléments de surface ne fonctionnent pas correctement	Réglages incorrects des commandes de la table de cuisson.	Vérifiez que la commande appropriée est réglée correctement pour l'élément de surface utilisé.
Témoin de l'arc du niveau de puissance clignotant	Les touches +, - ou de verrouillage ont été touchées avant la mise en marche de l'élément.	Consultez le chapitre « Fonctionnement des éléments de cuisson ».
Rayures sur la surface vitrée de la table de cuisson	Utilisation de mauvaises méthodes de nettoyage.	Utilisez les procédures de nettoyage recommandées. Consultez la section Nettoyage de la vitre de la table de cuisson.
	Utilisation d'un récipient avec des aspérités sur le fond ou présence de particules (sable ou sel) entre le récipient et la surface de la table de cuisson. Quelqu'un a fait glisser récipient à la surface de la table de cuisson.	Pour éviter les rayures, utilisez les procédures de nettoyage recommandées. Assurez-vous que le fond des récipients est propre avant utilisation et utilisez une batterie de cuisine avec des fonds lisses.
Zones décolorées sur la table de cuisson	Des projections alimentaires n'ont pas été nettoyées avant l'utilisation suivante.	Consultez la section Nettoyage de la vitre de la table de cuisson.
	Surface chaude sur un modèle avec une vitre de table de cuisson légèrement colorée.	C'est normal. La surface peut apparaître décolorée lorsqu'elle est chaude. C'est un phénomène temporaire qui disparaîtra lorsque la vitre refroidira.
Plastique fondu sur la surface	La table de cuisson chaude est entrée en contact avec un plastique posé sur la table de cuisson chaude.	Consultez la section Surface vitrée – possibilité d'un dommage définitif dans la section Nettoyage de la vitre de la table de cuisson.
Trou (ou échancrure) dans la table de cuisson	Un mélange sucré chaud a été projeté sur la table de cuisson.	Contactez un technicien qualifié pour un remplacement.
Touches du clavier inopérantes	Le clavier est sale.	Nettoyez le clavier.
	Un fusible de votre domicile peut avoir grillé ou le disjoncteur a sauté.	Remplacez le fusible ou réinitialisez le disjoncteur.



Radiante Estufa

Información De Seguridad 2

Garantía 4

Asistencia / Piezas y Accesorios 5

Uso de la placa de cocción

Funciones de la Placa de Cocción... 6

Estufa de Vidrio Radiante..... 7

Consejos para Productos

 Enlatados en el Hogar 7

Utensilio para Placa de Cocción para Vidrio Radiante 8

Para Mejores Resultados 8

Ciclos de los Elementos..... 9

Uso de los Elementos de Cocción... 9

Ajuste del Tamaño del Quemador... 9

Apagado del Quemador(es)..... 10

Selección de las Configuraciones de la Placa de Cocción..... 10

Cómo Sincronizar los Elementos Izquierdos..... 10

Bloqueo de la Placa de Cocción... 11

Temporizador Único de la Cocina... 11

Temporizadores Múltiples 12

Indicador Luminoso de Calor 12

Configuraciones Especiales..... 13

Plancha (accesorio opcional)..... 14

Cuidado Y Limpieza

Cómo Limpiar la Estufa de Vidrio... 15

Consejos para la Solución de Problemas 20

Manual del Propietario

PP9030
PP9036

Escriba el modelo y los números de serie a continuación:

Modelo No: _____

Serial No: _____

Los puede encontrar en la etiqueta que está debajo de la superficie de la estufa.

INFORMACIÓN IMPORTANTE DE SEGURIDAD

LEA TODAS LAS INSTRUCCIONES ANTES DE USAR

⚠ ADVERTENCIA

Lea todas las instrucciones de seguridad antes de utilizar este producto. No seguir estas instrucciones puede generar un incendio, una descarga eléctrica, lesiones corporales o la muerte.

⚠ ADVERTENCIA INSTRUCCIONES GENERALES DE SEGURIDAD

- Use esta placa de cocción sólo con el objetivo para el que fue creado, como se describe en este Manual del Propietario.
- Asegúrese de que un técnico calificado realice una correcta instalación y puesta a tierra de la placa de cocción de acuerdo con las instrucciones de instalación provistas.
- No intente reparar o cambiar ninguna pieza de la placa de cocción a menos que esté específicamente recomendado en este manual. Cualquier otro servicio debe realizarlo un técnico calificado.
- Antes de realizar cualquier clase de reparación, desenchufe la placa de cocción o desconecte el suministro eléctrico desde el panel de distribución doméstico quitando el fusible o desconectando el interruptor de circuitos.
- No deje a los niños solos; éstos no deben quedar solos o sin atención en un área donde una placa de cocción esté en uso. Nunca debe permitirse que se suban, sienten o paren en cualquier parte de la placa de cocción.
- **⚠ PRECAUCIÓN:** No almacene elementos de interés para niños sobre la placa de cocción: los niños que se trepan a la cocina para alcanzar elementos pueden resultar gravemente heridos.
- Sólo use agarraderas secas: las agarraderas húmedas o mojadas colocadas en superficies calientes pueden provocar quemaduras de vapor. No permita que las agarraderas entren en contacto con unidades de superficie o los elementos calentadores calientes. No utilice toallas u otras telas gruesas en lugar de una agarradera.
- Nunca use la placa de cocción para calentar la habitación.
- No toque los elementos de la superficie. Estas superficies pueden estar tan calientes como para quemar aunque estén de color oscuro. Durante y después de su uso, no las toque, ni permita que algún paño u otro material inflamable entre en contacto con los elementos de la superficie o con las áreas cercanas a los elementos de la superficie; deje suficiente tiempo para que se enfríen primero.
- Las zonas potencialmente calientes son la superficie de la estufa y las áreas al frente.
- No caliente recipientes cerrados de alimentos. Podría haber una acumulación de presión en el recipiente y éste podría explotar, provocando lesiones.
- Cocine carnes de res y de ave por completo: Las carnes de res hasta alcanzar una temperatura interna de por lo menos 160°F (71°C) y las carnes de ave a una temperatura interna de por lo menos 180°F (82°C). La cocción a estas temperaturas generalmente protege de enfermedades transmitidas por los alimentos.

⚠ ADVERTENCIA

MANTENGA LOS MATERIALES INFLAMABLES ALEJADOS DE LA PLACA DE COCCIÓN

Si esto no se cumple, se podrán sufrir lesiones personales graves o incendios.

- No almacene o utilice materiales inflamables cerca de la placa de cocción, tales como papel, plástico, agarraderas, telas, recubrimientos de pared, cortinas y gasolina u otros vapores y líquidos inflamables.
- Nunca use vestimentas holgadas o amplias mientras utilice la placa de cocción. Estas vestimentas pueden prenderse fuego si entran en contacto con superficies calientes, provocando quemaduras graves.
- No permita que la grasa de la cocción u otros materiales inflamables se acumulen dentro de la cocina o en su cercanía. La grasa sobre la placa de cocción puede encenderse.

LEA Y GUARDE ESTAS INSTRUCCIONES

▲ ADVERTENCIA INSTRUCCIONES DE SEGURIDAD DE LA ESTUFA

- En caso de incendio, no utilice agua en incendios de grasa. Nunca levante una sartén en llamas. Apague los controles. Apague una sartén en llamas sobre una unidad de superficie cubriendo la sartén por completo con una tapa que ajuste bien, una plancha para galletas o una bandeja plana. Utilice un químico seco multiuso o un extintor de incendios de espuma.
- Nunca deje las unidades de superficie sin atención en configuraciones de calor media o alta. Los alimentos que hierven y se derraman pueden provocar humo y derrames grasosos que pueden prenderse fuego.
- Nunca deje aceite sin atención mientras fríe. Si se deja calentar más allá del punto de humeo, el aceite puede encenderse, provocando un incendio que podría propagarse a los gabinetes cercanos. Utilice un termómetro para grasa cuando sea posible para controlar la temperatura del aceite.
- Para evitar el derrame de aceite y un incendio, utilice una cantidad mínima de aceite cuando fría en sartenes poco profundas y evite la cocción de alimentos congelados con una cantidad excesiva de hielo.
- Utilice el tamaño de recipiente adecuado: Elija recipientes con bases planas lo suficientemente grandes para cubrir el elemento calentador de superficie. La utilización de recipientes más pequeños dejará expuesta una porción de la unidad de superficie al contacto directo, lo que puede provocar el encendido de sus vestimentas. Una relación adecuada del recipiente con la unidad de superficie también mejorará la eficiencia.
- Para minimizar la posibilidad de quemaduras, el encendido de materiales inflamables y los derrames, la manija del recipiente debe girarse hacia el centro de la estufa sin sobrepasarse a ningún elemento de superficie cercano.

▲ ADVERTENCIA SEGURIDAD SOBRE LA ESTUFA RADIANTE

- Sólo ciertos tipos de vidrio, vidrio/cerámico, cerámico, objetos de barro u otros recipientes de vidrio son aptos para su uso en la estufa; otros se pueden romper debido al cambio brusco de temperatura.
- Tenga cuidado al tocar la estufa. La superficie de vidrio de la estufa retendrá calor después de que los controles se hayan apagado (OFF).
- No cocine en una cocina rota. Si la cocina sufre roturas, los productos de limpieza y los derrames podrán penetrar sobre dichas roturas, creando riesgos de descargas eléctricas. Comuníquese con un técnico calificado de inmediato.
- Evite rayar la estufa de vidrio. La estufa puede sufrir rayones con artículos tales como cuchillos, instrumentos puntiagudos, anillos u otras joyas y abrojos de vestimentas.
- No coloque ni guarde artículos que se puedan derretir o incendiar en la placa de cocción, incluso cuando no esté siendo usada. Si la cocina es encendida de forma involuntaria, dichos artículos se podrán incendiar. El calor de la placa de cocción o de la ventilación del horno, luego de que fue apagado, también pueden hacer que dichos artículos se incendien.
- Use el Limpiador para Placas de Cocción de cerámica CERAMA BRYTE® y la Almohadilla de Limpieza CERAMA BRYTE® para limpiar la placa de cocción. Antes de realizar la limpieza, espere hasta que la placa de cocción se enfríe y que la luz indicadora se apague. Una esponja o tela mojada sobre una superficie caliente puede causar quemaduras de vapor. Algunos limpiadores pueden producir humos tóxicos si se los aplica a una superficie caliente. Lea y cumpla con todas las instrucciones y advertencias de las etiquetas de las cremas de limpieza. NOTA: Los derrames de productos azucarados son una excepción. Se deben eliminar raspando mientras aún están calientes, utilizando un guante para horno o una espátula. Para acceder a instrucciones detalladas, consulte la sección de limpieza de la placa de cocción de vidrio.

LEA Y GUARDE ESTAS INSTRUCCIONES

¡Gracias! ... por su compra de un electrodoméstico de la Marca GE

Registre su Electrodoméstico: ¡Registre su electrodoméstico nuevo a través de Internet, según su conveniencia!

www.geappliances.com/service_and_support/register/

Un registro puntual de su producto permitirá una mejor comunicación y un servicio más puntual de acuerdo con los términos de su garantía, en caso de surgir la necesidad. También puede enviar una carta en la tarjeta de inscripción pre-impresa que se incluye con el material embalado.

Garantía de la Placa de Cocción Eléctrica de GE

GEAppliances.com

Todo el servicio de garantía es provisto por nuestros Centros de Servicio de Fabrica, o un técnico autorizado de Servicio al Cliente (Customer Care®). Para programar una visita del servicio técnico a través de Internet, visítenos en www.geappliances.com/service_and_support/, o llame al 800.GE.CARES (800.432.2737). Cuando llame para solicitar el servicio, tenga los números de serial y de modelo disponibles.

Para realizar el servicio técnico de su electrodoméstico se podrá requerir el uso de datos del puerto de abordaje para su diagnóstico. Esto da al técnico del servicio de fábrica de GE la habilidad de diagnosticar de forma rápida cualquier problema con su electrodoméstico, y de ayudar a GE a mejorar sus productos al brindarle a GE la información sobre su electrodoméstico. Si no desea que los datos de su electrodoméstico sean enviados a GE, solicitamos que le indique a su técnico no entregar los datos a GE en el momento del servicio.

Durante el período de un año desde la fecha original de compra. GE le brindará cualquier parte de la placa de cocción que falle debido a un defecto en los materiales o la fabricación. Durante esta garantía limitada de un año, GE también proveerá, sin costo, todo el trabajo y el servicio en el hogar relacionado con el reemplazo de la parte que presente defectos.

Qué no cubrirá GE:

- Viajes del técnico del servicio a su hogar para enseñarle sobre cómo usar el producto.
- Instalación, entrega o mantenimiento inadecuados.
- Fallas del producto en caso de abuso, mal uso, modificación o uso para propósitos diferentes al original o uso comercial.
- Reemplazo de fusibles de la casa o reinicio de disyuntores.
- Daños ocasionados sobre el producto por accidente, incendio, inundaciones o catástrofes naturales.
- Daños incidentales o consecuentes causados por posibles defectos sobre este producto.
- Daño causado después de la entrega.
- Producto no accesible para brindar el servicio requerido.
- Solicite el servicio técnico para reparar o reemplazar las lámparas, excepto las lámparas LED.

EXCLUSIÓN DE GARANTÍAS IMPLÍCITAS

Su única y exclusiva alternativa es la reparación del producto, como se indica en la Garantía Limitada. Las garantías implícitas, incluyendo garantías implícitas de comerciabilidad o conveniencia sobre un propósito particular, se limitan a un año o al período más corto permitido por la ley.

Esta garantía se extiende al comprador original y a cualquier dueño subsiguiente de productos comprados para uso hogareño dentro de EE.UU. Si el producto está en un área donde no se encuentra disponible un Proveedor Autorizado del Servicio Técnico de GE, usted será responsable por el costo de un viaje o se podrá requerir que traiga el producto a una ubicación del Servicio Técnico de GE Autorizado para recibir el servicio. En Alaska, la garantía excluye el costo de envío o llamadas del servicio a su hogar.

Algunos estados no permiten la exclusión o limitación de daños fortuitos o consecuentes. Esta garantía le da derechos legales específicos y es posible que tenga otros derechos legales que varían entre un estado y otro. Para conocer cuáles son sus derechos legales, consulte a la oficina de asuntos del consumidor local o estatal o al Fiscal de su estado.

Garante: General Electric Company. Louisville, KY 40225

Garantías Extendidas: Adquiera una garantía extendida de GE y aprenda sobre descuentos especiales que están disponibles mientras su garantía aún está vigente. La puede adquirir en cualquier momento a través de Internet en

www.geappliances.com/service_and_support/shop-for-extended-service-plans.htm

o llamando al 800.626.2224 durante el horario comercial habitual. Los Servicios para el Consumidor Hogareño de GE aún estarán allí cuando su garantía caduque.

¿Desea realizar una consulta o necesita ayuda con su electrodoméstico?

¡Consulte el Sitio Web de Electrodomésticos de GE (www.geappliances.com/service_and_support/) durante las 24 horas, cualquier día del año! Para mayor conveniencia y un servicio más rápido, ahora puede descargar el Manual del Propietario, ordenar piezas o incluso programar el servicio técnico a través de Internet.

Servicio Programado: El servicio de reparación de expertos de GE está a sólo un paso de su puerta. Entre a Internet y programe su servicio en www.geappliances.com/service_and_support/ o llame al 800.GE.CARES (800.432.2737) durante el horario de atención comercial.

Piezas y Accesorios: Aquellas personas calificadas para realizar el servicio técnico sobre sus propios electrodomésticos podrán solicitar el envío de piezas o accesorios directamente a sus hogares (se aceptan las tarjetas VISA; MasterCard y Discover). Ordene a través de Internet hoy, durante las 24 horas o en forma telefónica al 800.626.2002 durante el horario de atención comercial.

Las instrucciones que figuran en este manual cubren los procedimientos que serán realizados por cualquier usuario. Otros servicios técnicos generalmente deberían ser derivados a personal calificado del servicio. Se deberá tener cuidado, ya que una reparación indebida podrá hacer que el funcionamiento no sea seguro.

Estudio de Diseño de la Vida Real: GE apoya el concepto de Diseño Universal en productos, servicios y ambientes que pueden ser usados por personas de todas las edades, tamaños y capacidades. Reconocemos la necesidad de realizar diseños para una amplia gama de habilidades e incapacidades físicas y mentales. Para más detalles sobre las aplicaciones de Diseño Universal de GE, incluyendo ideas de diseño de cocinas para personas con incapacidades, visite nuestro sitio web hoy. Sobre casos de incapacidad auditiva, comuníquese al 800.TDD.GEAC (800.833.4322).

Contáctenos: Si no se encuentra satisfecho con el servicio que recibió de GE, comuníquese con nosotros a través de nuestro sitio web con todos los detalles, incluyendo su número telefónico, o escriba a:

General Manager, Customer Relations
GE Appliances, Appliance Park Louisville, KY 40225

Piezas y Accesorios

Para realizar una orden, visítenos a través de Internet en:

www.GEApplianceParts.com (EE.UU.) o en www.GEAppliances.ca (Canadá)

o llame al **800.626.2002** (EE.UU.) **800.661.1616** (Canadá)

Las siguientes piezas están disponibles:

Piezas

Plancha	JXGRIDL1
Limpiador y Pulidor de Acero Inoxidable	PM10X311

Cómo Retirar la Película Protectora de Envío y la Cinta de Embalaje

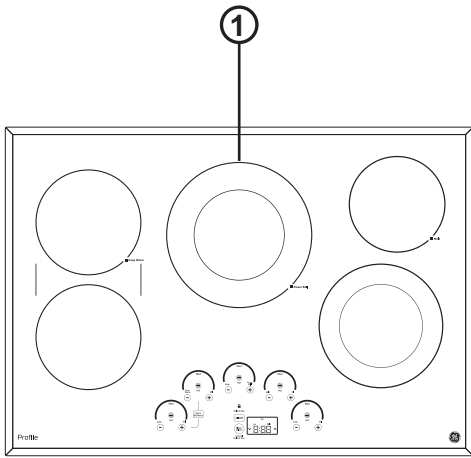
Con cuidado tome un extremo de la película protectora de envío con los dedos y lentamente retire la misma de la superficie del electrodoméstico. No utilice ningún producto filoso para retirar la película. Retire toda la película antes de usar el electrodoméstico por primera vez.

Para asegurar que no haya daños sobre el acabado del producto, la forma más segura de retirar el adhesivo de la cinta de embalaje en electrodomésticos nuevos es aplicando un detergente líquido hogareño para lavar platos. Aplique con una tela suave y deje que se seque.

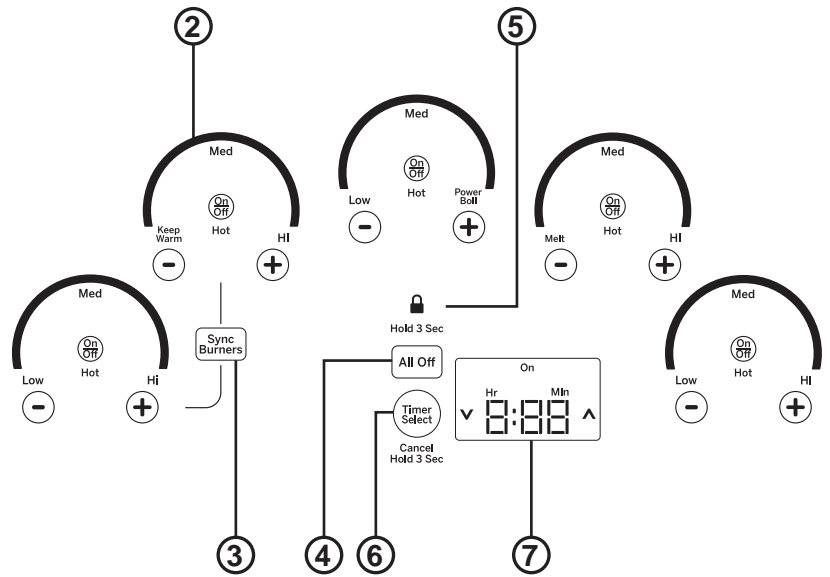
NOTA: El adhesivo deberá ser eliminado de todas las partes. No se puede retirar si se hornea con éste dentro.

Funciones de la Placa de Cocción

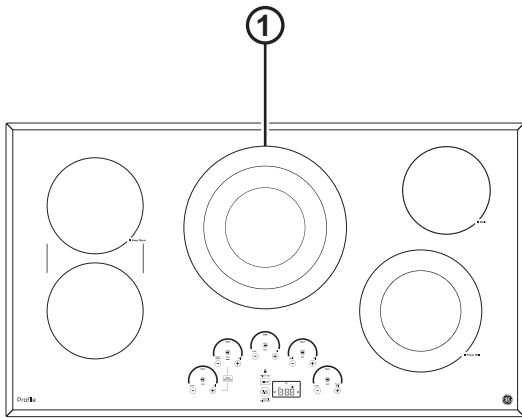
Es posible que las funciones y apariencias varíen con relación a su modelo a lo largo del manual.



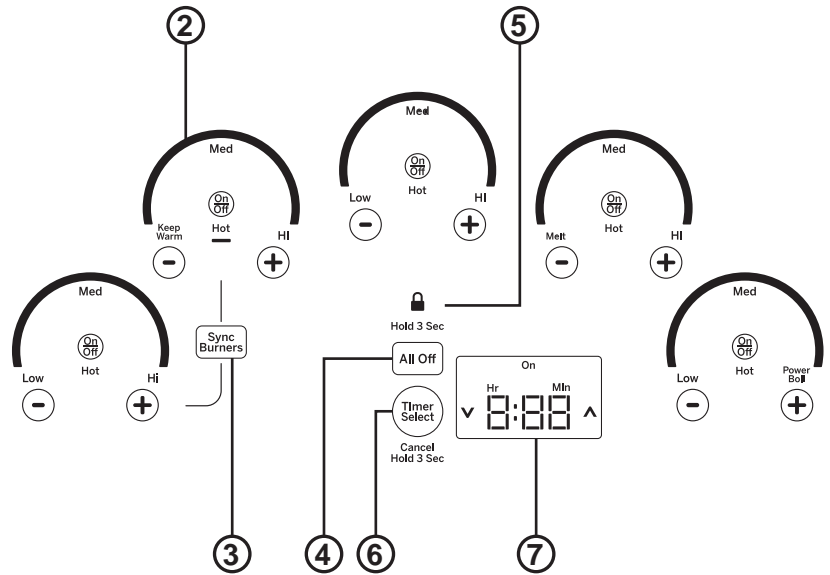
Placa de cocción de 30"



Controles de la Interfase del Usuario



Placa de cocción de 36"



Controles de la Interfase del Usuario

1. **Cooking Element(s) (Elemento(s) de Cocción):** Consulte la página 9.
2. **Power Level Arc (Arco Eléctrico):** Consulte la página 9.
3. **Sync Burners (Quemadores Sincronizados):** Consulte la página 10.
4. **All Off (Todo Apagado):** Consulte la página 10.
5. **Lock (Bloqueo):** Consulte la página 11.
6. **Timer Select (Selección del Temporizador):** Consulte la página 11.
7. **Display (Pantalla):** Consulte la página 11.

Estufa de Vidrio Radiante

La estufa radiante cuenta con unidades calentadoras debajo de una superficie lisa de vidrio.

NOTA: Un ligero olor es normal cuando una estufa nueva se utiliza por primera vez. Es provocado por el calentamiento de piezas nuevas y materiales aislantes y desaparecerá en poco tiempo.

NOTA: Esta placa de cocción cuenta con unidades de superficie de Rapid Response (Respuesta Rápida). La estufa se calentará o enfriará rápidamente hasta la configuración del nivel de potencia deseado en el tiempo más rápido posible. Mientras las unidades de superficie están encendidas, es posible que no vez en éstas su brillo rojo durante ciertas condiciones de calentamiento o enfriamiento.

Las temperaturas de la estufa se incrementan con el número de unidades de superficie que se encuentran encendidas. Con 3 o 4 unidades encendidas, las temperaturas de la superficie son altas. Siempre tenga cuidado al tocar la estufa.



Nunca cocine directamente sobre el vidrio. Siempre utilice recipientes de cocción.



Siempre coloque el recipiente en el centro de la unidad de superficie sobre la que está cocinando.



No deslice los recipientes de cocción a través del control y la superficie de la estufa porque puede rayar el vidrio. El vidrio es resistente a los rayones, pero no a prueba de los mismos.

Consejos para Productos Enlatados en el Hogar

Asegúrese que el producto enlatado se encuentre sobre la unidad superficial.

Asegúrese de que el producto enlatado sea plano en su parte inferior.

Para evitar quemaduras de vapor o calor, tenga cuidado al enlatar el producto.

Use recetas y procedimientos de fuentes confiables. Estos se encuentran disponibles a través de fabricantes como Ball® y Kerr® y el Department of Agriculture Extension Service (Servicio del Departamento de Agricultura).

El uso de enlatados cerrados a baño maría con fondos ondeados podrán extender el tiempo requerido para traer el agua al punto de hervor.

Utensilio para Placa de Cocción para Vidrio Radiante

La siguiente información lo ayudará a elegir los recipientes de cocción que brindan un buen desempeño en estufas de vidrio.

Acero inoxidable:

Recomendado

Aluminio:

Se recomienda de capa gruesa

Buena conductividad. Los residuos de aluminio a veces parecen rayones sobre la estufa pero pueden quitarse si se los limpia de inmediato. Debido a su bajo punto de fusión, no debe utilizarse aluminio de capa fina.

Base de cobre:

Recomendado

El cobre puede dejar residuos que pueden parecer rayones. Los residuos pueden eliminarse, siempre y cuando la estufa se limpie de inmediato. Sin embargo, no permita que estas ollas hiervan en seco. El metal sobrecalentado puede adherirse a las estufas de vidrio. Si no se elimina de inmediato, una olla con la base de cobre sobrecalentado dejará un residuo que manchará la estufa en forma permanente.

Esmalte de porcelana sobre hierro fundido:

Se recomienda si la base de la olla se encuentra revestida

Esmalte de porcelana sobre acero:

No se recomienda

Calentar recipientes vacíos puede provocar daños permanentes al vidrio de las estufas. El esmalte puede derretirse y adherirse a la estufa cerámica.

Vidrio-cerámico:

No se recomienda

Desempeño pobre. Raya la superficie.

Cerámica:

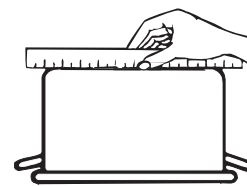
No se recomienda

Desempeño pobre. Puede rayar la superficie.

Hierro fundido:

No se recomienda, a menos que se encuentre específicamente diseñado para estufas de vidrio

Pobre conductividad y lentitud para absorber el calor. Raya la superficie de la estufa.



Verifique que los recipientes tengan bases planas utilizando una regla.



No se recomiendan recipientes con bases redondeadas, curvadas, con rebordes o torceduras..

NOTA: Siga todas las recomendaciones del fabricante de recipientes cuando utilice cualquier clase de recipiente de cocción sobre la estufa cerámica.

Para Mejores Resultados

- Coloque sólo recipientes secos sobre los elementos de superficie. No coloque tapas sobre los elementos de superficie, en especial tapas mojadas. Las ollas y tapas mojadas podrán quedar adheridas a la superficie una vez frías.
- No use woks con anillos de soporte. Esta clase de wok no se calienta sobre elementos de superficie de vidrio.
- Recomendamos el uso de woks de base plana solamente. Se encuentran disponibles en su negocio minorista local. La base del wok debe tener el mismo diámetro que el elemento de superficie para asegurar un contacto adecuado.
- Algunos procedimientos de cocción especiales requieren recipientes de cocción específicos, como ollas a presión, freidoras, etc. Todos los recipientes de cocción deben tener bases planas y ser del tamaño correcto.



No coloque recipientes mojados sobre la estufa de vidrio.



No use woks con anillos de soporte sobre la estufa de vidrio.



Utilice woks de base plana sobre la estufa de vidrio.

Ciclos de los Elementos

Los elementos de la superficie realizarán ciclos de encendido y apagado para mantener la temperatura que seleccionó. Todos los elementos de la superficie radiante cuentan con un limitador de temperatura que evita que la placa de cocción de vidrio se caliente demasiado, lo cual es normal. Es posible que el limitador de temperatura realice ciclos de apagado de los elementos con más frecuencia si:

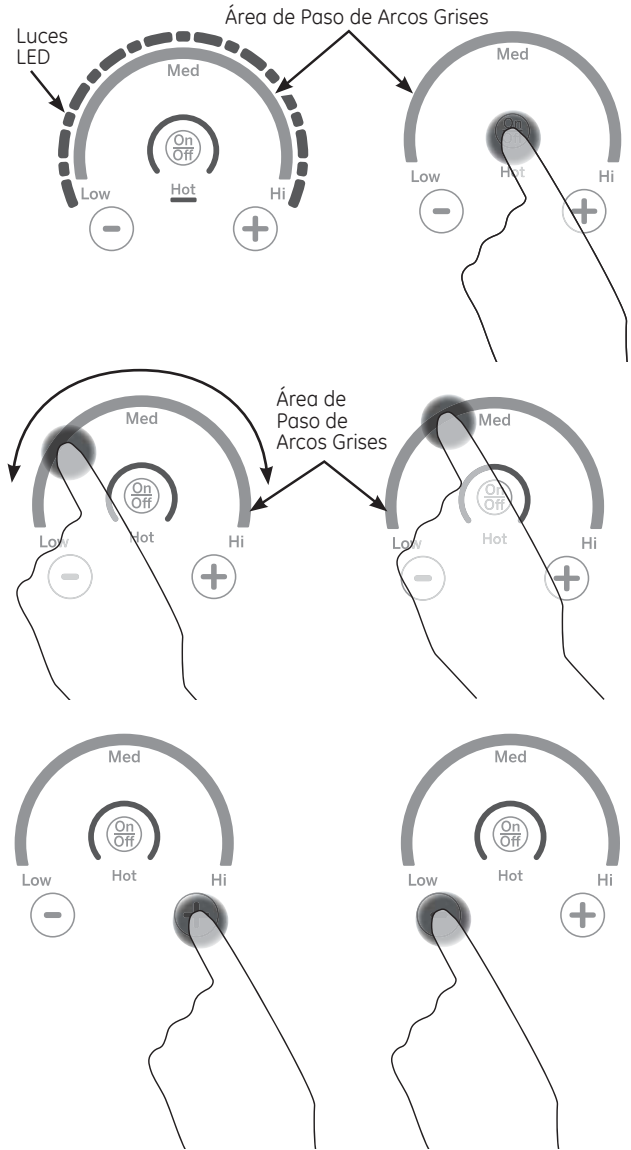
- La olla hierve hasta secarse.
- El fondo de la olla no es plano.
- La olla está fuera del centro.
- No hay olla en el elemento.

Uso de los Elementos de Cocción

Encienda el Quemador(es): Mantenga presionada la tecla **On/Off (Encendido/ Apagado)** durante aproximadamente medio segundo. Se podrá escuchar un repique cada vez que se presione una tecla.

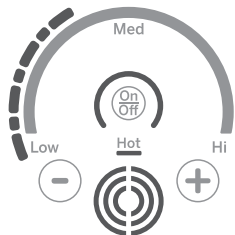
El nivel de potencia puede ser seleccionado de cualquiera de las siguientes formas:

1. **Deslice su dedo sobre el arco gris** (en los gráficos) hasta el nivel de potencia deseado. **No hay sensor en las luces LED, o;**
2. **Presione En Cualquier Parte** del arco gris, o;
3. Presione las teclas **+** o **-** para ajustar el nivel de potencia, o;
4. Atajo hasta Hi (Alto): inmediatamente luego de encender la unidad, presione la tecla **+**, o;
5. Atajo hasta Low (Bajo): Inmediatamente luego de encender la unidad, presione la tecla **-**.

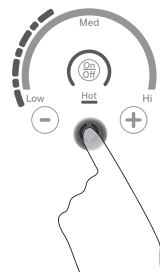


Ajuste del Tamaño del Quemador

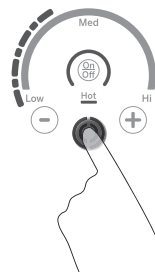
El tamaño del anillo del quemador es ajustable a algunos elementos. El tamaño del anillo puede ser seleccionado presionando el gráfico del anillo del quemador.



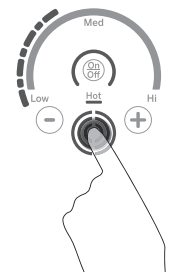
Elemento de la Superficie Individual



Elemento de la Superficie Dual

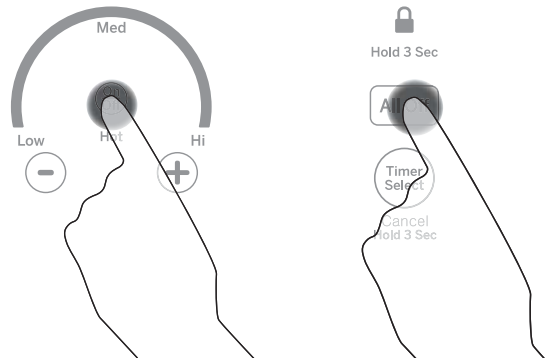


Elemento de la Superficie con Tres Anillos



Apague el Quemador(es)

Presione la tecla **On/Off (Encender/ Apagar)** para usar un quemador individual o presione la tecla **All Off (Todo Apagado)**.



Selección de las Configuraciones de la Placa de Cocción

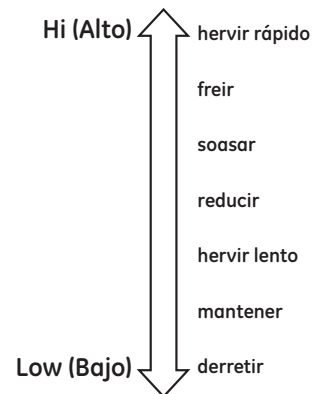
Elija el elemento/ quemador que mejor se adecue al tamaño del utensilio. Cada elemento/ quemador de su nueva placa de cocción cuenta con sus propios niveles de potencia, desde bajo hasta alto. Las configuraciones del nivel de potencia necesaria para la cocción varían, dependiendo del utensilio usado, el tipo y cantidad de comida y el resultado deseado. En general, use las configuraciones bajas para derretir, mantener o hervir a fuego lento, y use las configuraciones altas para calentar rápido, soasar y freír. Al mantener las comidas calientes, confirme que la configuración seleccionada es suficiente para mantener la temperatura de la comida por encima de los 140°F. Para derretir, no se recomienda el uso de los elementos más grandes y de aquellos con la marca "Mantener Caliente".

Hi (Alto) es el nivel de potencia más alto, diseñado para cocinar y hervir cantidades grandes de forma rápida. Hi (Alto)

funcionará durante un tiempo máximo de 10 minutos. Hi (Alto) puede ser repetido luego del ciclo inicial de 10 minutos, presionando la tecla +.

⚠ PRECAUCIÓN:

No coloque ningún utensilio, cubierto ni deje derrames excesivos de agua en las teclas del control. De estar presente por varios segundos, esto podrá hacer que las teclas táctiles no respondan y que se apague la superficie de cocción.



Cómo Sincronizar los Elementos Izquierdos

Para Encender

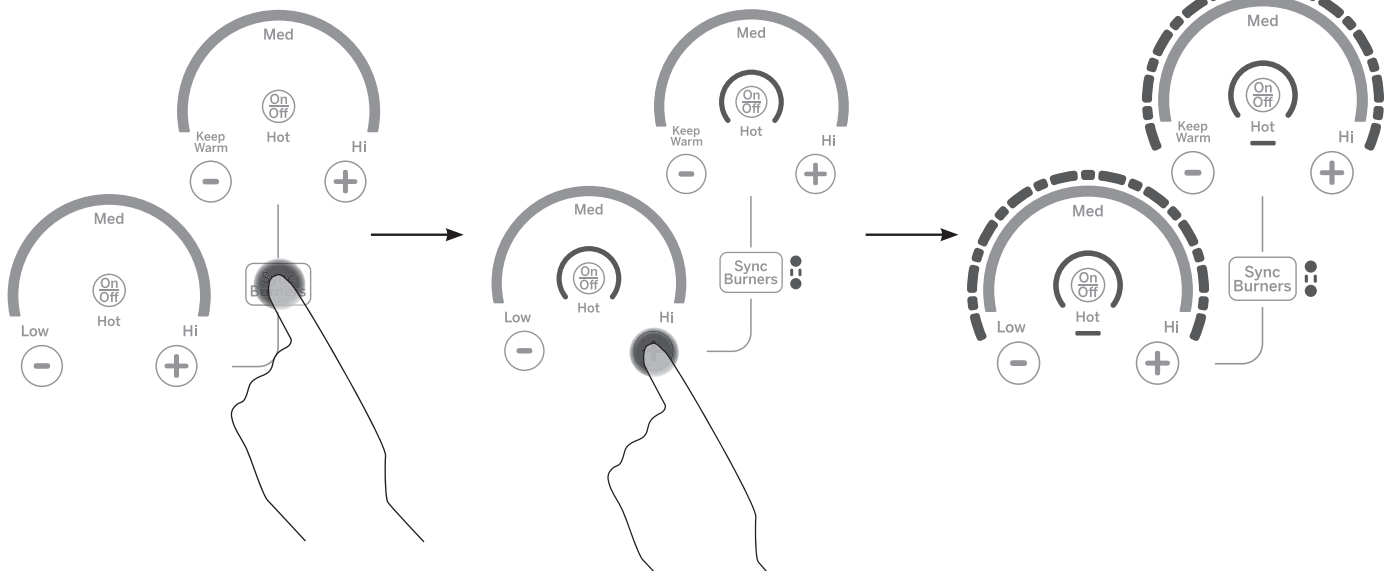
Mantenga la tecla **Sync Burners (Quemadores Sincronizados)** por aproximadamente medio segundo para conectar los dos quemadores. Utilice cualquiera de estos elementos como se describe en la página 7 para ajustar el nivel de potencia.

Para Apagar

1. Presione la tecla **On/ Off (Encender/ Apagar)** de uno de los quemadores para apagar la función **Sync Burners (Quemadores Sincronizados)**.

o

2. Presione **Sync Burners (Quemadores Sincronizados)** para apagar ambos quemadores.



Bloqueo de la Placa de Cocción

Bloquear

Presione la tecla Control Lock (Bloqueo del Control) por 3 segundos.

Desbloquear

Presione la tecla **Control Lock (Bloqueo del Control)** nuevamente por 3 segundos.

Consulte la sección Custom Settings (Configuraciones Especiales) para activar la función Auto Lock (Bloqueo Automático).

Indicador/ Símbolo del Bloqueo del Control



Bloqueo de la Placa de Cocción: bloquea el funcionamiento de los controles

Temporizador Único de la Cocina

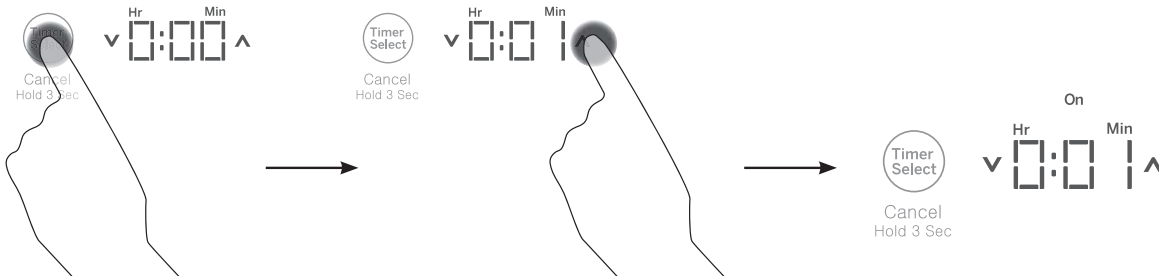
Para Encender

Presione la tecla **Timer Select (Seleccionar Temporizador)**. Presione las flechas **Λ** o **V** para elegir el número deseado de minutos. El temporizador se inicia automáticamente 3 segundos después de tocar la tecla. La luz LED "ON" (Encender) aparecerá de forma automática una vez configurado el temporizador.

Para Apagar

Mantenga presionada la tecla **Timer Select (Seleccionar Temporizador)** durante 3 segundos para cancelar el temporizador. La alarma sonará de forma continua una vez finalizado el tiempo, hasta que el usuario apague el temporizador.

NOTA: Use el temporizador de la cocina para medir el tiempo de cocción o como recordatorio. El temporizador de la cocina no controla los elementos de cocción. El temporizador se apaga si no hay actividad por 30 segundos.



Temporizadores Múltiples

Modo de Temporizador

Para más información, consulte Configuraciones Especiales, en la sección del Modo de Temporizador para acceder a la función de Temporizador Múltiple. Cada quemador puede ser conectado con un temporizador. El quemador debe estar encendido para configurar el temporizador. Cuando más de un quemador esté encendido, el orden del temporizador será de izquierda a derecha.

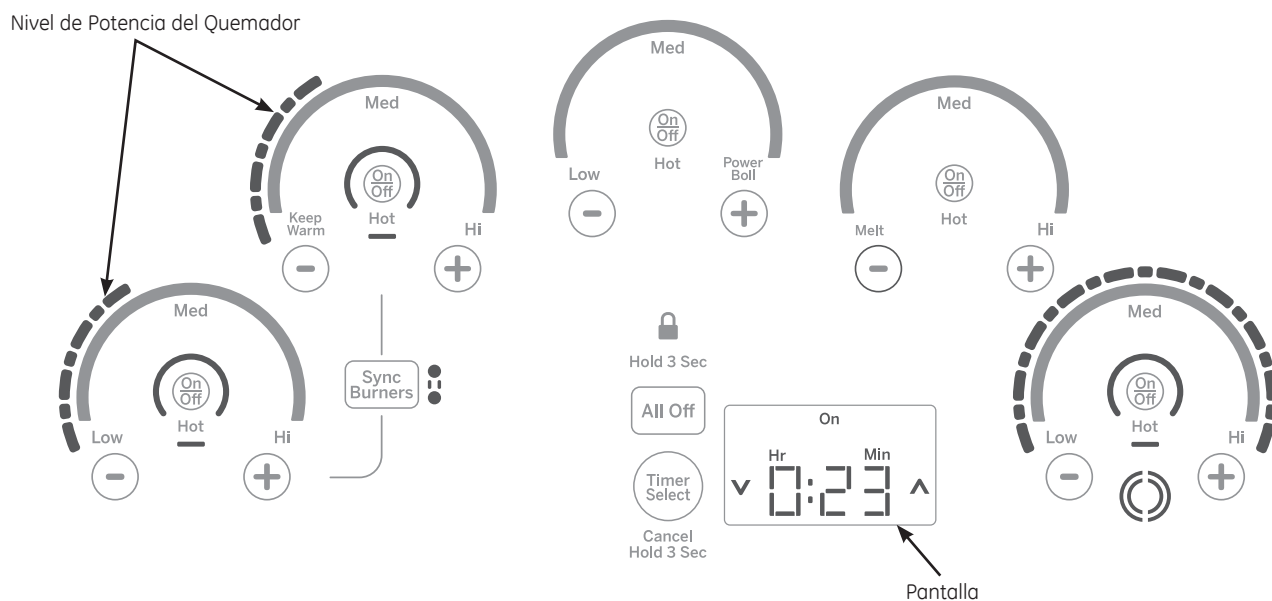
Para Encender Múltiples Quemadores

1. Presione la tecla **Timer Select (Seleccionar Temporizador)**. El nivel de potencia del quemador correspondiente y la pantalla titilarán. Presione las flechas **▲** o **▼** para ajustar el temporizador. Si no hay más acciones, el temporizador se inicia de forma automática luego de 3 segundos. La luz LED "ON" (Encender) se iluminará cuando el temporizador esté encendido.

2. Para configurar el temporizador del siguiente quemador, presione la tecla **Timer Select (Seleccionar Temporizador)**. El nivel de potencia del quemador correspondiente y la pantalla titilarán. Presione las flechas **▲** o **▼** para ajustar el temporizador. Si no hay más acciones, el temporizador se inicia de forma automática luego de 3 segundos. La luz LED "ON" (Encender) se iluminará cuando el temporizador esté encendido. Repita estos pasos con los temporizadores restantes.

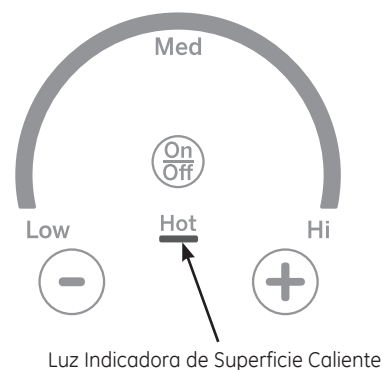
Para Apagar Múltiples Quemadores

Mantenga presionada la tecla **Timer Select (Seleccionar Temporizador)** durante 3 segundos para cancelar el temporizador. El nivel de potencia del quemador correspondiente y la pantalla titilarán. Cuando los tiempos del quemador finalizan, su temporizador correspondiente también finaliza.



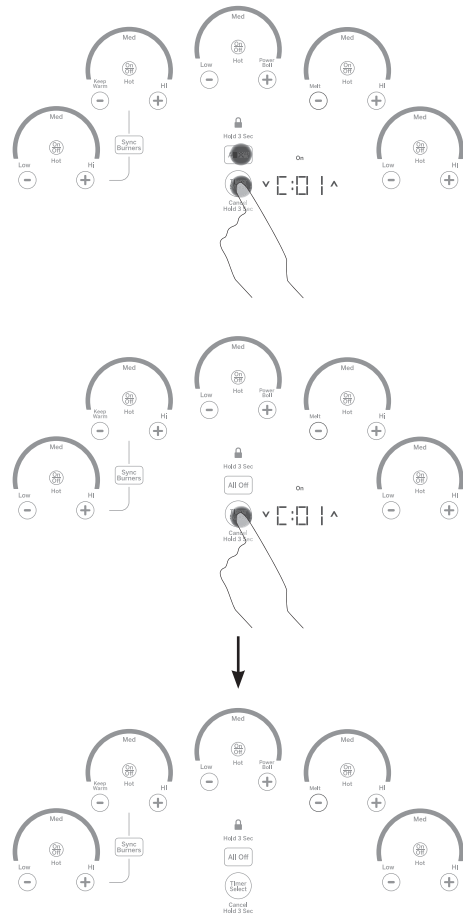
Indicador Luminoso de Calor

Una luz indicadora de superficie caliente (una para cada elemento de cocción) brillará cuando la superficie de vidrio esté caliente, y permanecerá encendida hasta que la superficie haya bajado su temperatura hasta una temperatura que sea segura al tacto.



Configuraciones Especiales

- Mantenga presionada la tecla **All Off (Apagar Todo)** durante 3 segundos. Luego de forma inmediata mantenga presionada la tecla **Timer Select (Selección de Tiempo)** durante 3 segundos para ingresar las Configuraciones Especiales. Esas dos teclas deben ser presionadas dentro de los 30 segundos. Cualquier otra tecla cancelará el modo.
- “C - -” aparece en la pantalla. Para navegar a través de la función Custom Settings (Configuraciones Especiales), use las teclas **▲** (arriba) o **▼** (abajo). Si **▲** (arriba) es seleccionado, el ciclo de la pantalla se inicia en “C01”. Si **▼** (abajo) es seleccionado, el ciclo de la pantalla se inicia en “C62”.
- Para activar una nueva Configuración Estándar, el usuario deberá mantener presionada la tecla **Timer Select (Selección del Temporizador)** durante 3 segundos. Sólo UNA de las Opciones de Configuraciones Especiales puede ser activada para cada Configuración Estándar. El LED rojo “On” (Encendido) se encenderá y un sonido se apagará una vez activada la nueva configuración estándar.
- La placa de cocción saldrá de las Configuraciones Especiales si queda inactiva durante 3 minutos.
- Para salir de las Configuraciones Especiales y guardar cualquier cambio, mantenga presionada la tecla **All Off (Todo Apagado)** durante 3 segundos.



Cuadro de Configuraciones Especiales

Configuraciones Especiales	Elecciones de Configuración Estándar
C0 (Configuraciones de Fábrica)	C01 - Reinicio de Fábrica (Borra las Configuraciones Especiales y restaura las configuraciones originales)
	C02 - Configuraciones Especiales activadas (No visible a menos que otra configuración estándar sea seleccionada. Y automáticamente se enciende cuando cualquier otra configuración estándar es seleccionada. No puede ser seleccionada por el usuario).
C1 (Bloqueo del Control)	C11 - Bloqueo Estándar (es decir: Sólo cuando el botón de bloqueo es presionado durante 3 segundos). Si se usará un temporizador, Control Lock (Bloqueo del Control) no está disponible.
	C12 - Auto Lock (Bloqueo Automático) (es decir: se aplica luego de que la placa de cocción haya estado en el modo de espera durante 10 minutos). La unidad deberá estar completamente apagada para estar en Auto Lock (Bloqueo Automático).
C2 (Nivel de la luz LED)	C21 - Iluminación Completa
	C22 - Iluminación Media
	C23 - Iluminación Más Baja
C3 (Volumen del Sonido del Botón)	C31 - Todos los sonidos están activados al 100% (Para los sonidos de alarma, 100% = cualquier nivel que esté configurado en c4.)
	C32 - El nivel de sonido del botón es reducido en un 50%; los sonidos de alarmas al 100%
	C33 - Sonidos de los botones desactivados; los sonidos de las alarmas están activados al 100%
C4 (Volumen de Sonido de la Alarma del Temporizador)	C41 - Alto
	C42 - Bajo
C5 (Duración de la Alarma del Temporizador)	C51 - Indefinido (es decir: la alarma continúa hasta que sea desactivada por el usuario).
	C52 - La alarma suena durante 60 segundos.
	C53 - La alarma suena durante 30 segundos.
	C54 - La alarma suena durante 15 segundos.
C6 (Modo del Temporizador)	C61 - Temporizador con una Sola Cocina (Independiente de los elementos)
	C62 - Temporizador Múltiple (Ajustado a cada elemento.)

* Las opciones en gris son configuraciones por omisión.

Plancha (accesorio opcional)

Uso de la Plancha

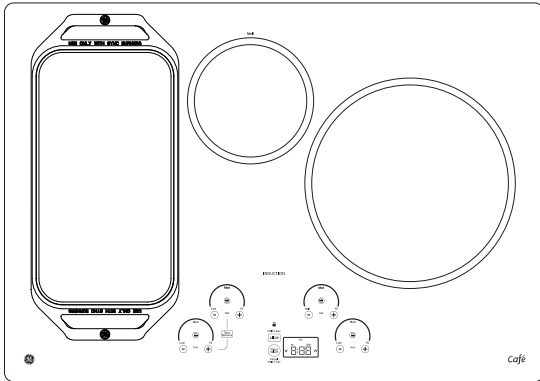
PRECAUCIÓN Peligro De Quemaduras

- Las superficies de la plancha pueden estar lo suficientemente calientes como para provocar quemaduras durante y después del uso. Coloque y quite la plancha cuando esté fría y todas las unidades de superficie estén apagadas. Utilice agarraderas si toca la plancha cuando está caliente. No hacerlo puede provocar quemaduras.
- Coloque y retire la plancha sólo cuando todas las parrillas y la plancha estén frías y todas las unidades superficiales estén en OFF (Apagado).

Antes de utilizar este recipiente de cocción por primera vez, lávelo para asegurarse de que esté limpio. Luego cúrelo ligeramente, frotando aceite de cocción sobre la superficie de cocción.

Cómo Colocar La Plancha

IMPORTANTE: Siempre coloque y utilice la plancha en la ubicación designada sobre la estufa.



NOTAS IMPORTANTES:

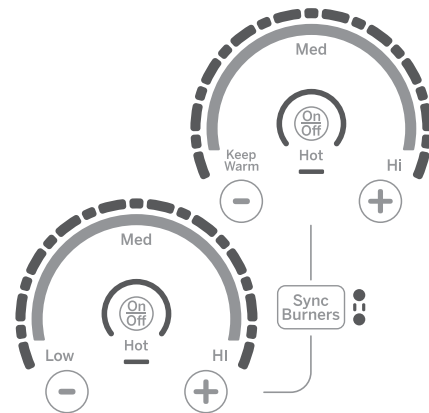
- Limpie la plancha con una esponja y detergente suave en agua tibia. NO utilice esponjillas de fregar azules o verdes o lana de acero.
- No cocine alimentos extremadamente grasosos y tenga cuidado con los derrames de grasa mientras cocina.
- Nunca coloque o almacene elementos sobre la plancha, aún cuando no esté en uso. La plancha puede calentarse cuando se utilizan las unidades de superficie cercanas.
- No use utensilios metálicos con puntas afiladas o bordes ásperos porque pueden dañar la plancha. No corte alimentos sobre la plancha.
- No use recipientes de cocción para el almacenamiento de alimentos o aceite. Pueden provocarse manchas y/o grietas permanentes.
- La plancha irá perdiendo el color con el tiempo debido al uso.
- No limpie la plancha en el horno auto-limpiante.
- Siempre espere a que el recipiente de cocción se enfríe antes de sumergirlo en agua.
- No sobre caliente la plancha.

Tipo de Comida	Configuración de Cocción
Cómo Calentar Tortillas	Med-Bajo (Med-Lo)
Panquecas	Med-Bajo (Med-Lo)
Hamburguesas	Med
Huevos Fritos	Med-Bajo (Med-Lo)
Embutidos para el Desayuno	Med
Sándwiches Calientes (Tales como con Queso a la Plancha)	Med-Bajo (Med-Lo)

Las configuraciones de la plancha funcionan como una guía y puede ser necesario ajustarlas en base a las preferencias de cocción individual.

Funcionamiento de la Plancha

Para encender las unidades de la superficie de toda la plancha, use la función del control de Sync Burner (Quemador Sincronizado). Presione la tecla **Sync Burner (Quemador Sincronizado)** y luego ajuste el nivel de potencia a la configuración deseada como se describe en la página 8.



Cómo Limpiar la Estufa de Vidrio

Limpieza Normal De Uso Diario

Use limpiador de estufas de cerámica CERAMA BRYTE® en su estufa de vidrio.

Para mantener y proteger la superficie de su estufa de vidrio, siga estos pasos:

1. Antes de usar la estufa por primera vez, límpiela con limpiador de estufas de cerámica CERAMA BRYTE®. Esto ayuda a proteger la estufa y hace la limpieza más sencilla.
2. El uso diario del limpiador de estufas de cerámica CERAMA BRYTE® ayudará a mantener el artefacto como nuevo.
3. Sacuda bien la crema de limpieza. Aplique unas gotas de limpiador de estufas de cerámica CERAMA BRYTE® directamente sobre la estufa.

4. Utilice una toalla de papel o un paño de limpieza para estufas de cerámica CERAMA BRYTE® para limpiar toda la superficie de la estufa.
5. Use un paño seco o una toalla de papel para quitar los restos del limpiador. No hace falta enjuagar.

NOTA: Es muy importante que NO CALIENTE la estufa hasta que lo haya limpiado por completo.

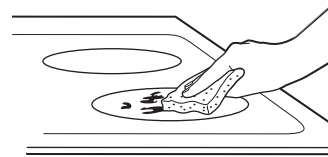


Limpe la estufa después de cada derrame. Utilice el limpiador de estufas de cerámica CERAMA BRYTE®.

Residuos Pegados

NOTA: Usted puede dañar la superficie de vidrio si utiliza esponjillas que no sean las recomendadas.

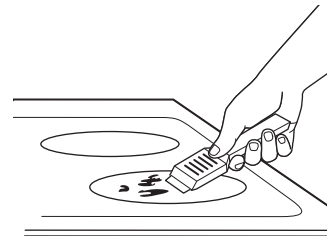
1. Deje enfriar la estufa.
2. Coloque unas gotas de limpiador de estufas de cerámica CERAMA BRYTE® sobre toda el área de residuos pegados.
3. Utilizando el paño de limpieza para estufas de cerámica CERAMA BRYTE® incluida, frote el área sucia aplicando presión según sea necesario.
4. Si quedan restos, repita los pasos indicados con anterioridad.
5. Para protección adicional, después de haber quitado todos los restos, pule toda la superficie con limpiador de estufas de cerámica CERAMA BRYTE® y una toalla de papel.



Utilice un paño de limpieza para estufas de cerámica CERAMA BRYTE®.

Residuos Pegados Rebeldes

1. Deje enfriar la estufa.
2. Utilice la rasqueta de filo único a un ángulo aproximado de 45° contra la superficie del vidrio y rasque la suciedad. Puede ser necesario aplicar presión a la rasqueta para quitar la suciedad.
3. Después de rasgar con la rasqueta de filo, coloque unas gotas de limpiador de estufas de cerámica CERAMA BRYTE® sobre el área de suciedad quemada. Utilice el paño de limpieza para estufas de cerámica CERAMA BRYTE® para quitar la suciedad restante.
4. Para protección adicional, después de haber quitado todos los restos, pule toda la superficie con limpiador de estufas de cerámica CERAMA BRYTE® y una toalla de papel.



La rasqueta de estufas de cerámica CERAMA BRYTE® y todos los insumos recomendados se encuentran disponibles en nuestro Centro de Repuestos. Ver instrucciones bajo la sección "Para solicitar repuestos" en la página siguiente.

NOTA: No utilice hojas desafiladas o dañadas.

Cómo Limpiar la Estufa de Vidrio

Marcas De Metal Y Rayones

1. Tenga cuidado de no deslizar ollas y sartenes a través de su estufa. Dejará marcas de metal sobre la superficie de la estufa.
Estas marcas pueden quitarse utilizando el limpiador de estufas de cerámica CERAMA BRYTE® con el paño de limpieza para estufas de cerámica CERAMA BRYTE®.
2. Si se permite que ollas con una capa fina de aluminio o cobre hiervan en seco, la capa puede dejar una decoloración negra en la estufa.
Esto debe quitarse de inmediato antes de calentar de nuevo o la decoloración puede llegar a ser permanente.
NOTAS: Verifique con cuidado que la base de las ollas no sea áspera para no rayar la estufa.

Daños por derrames azucarados y plástico derretido

Se deberá tener especial cuidado al retirar sustancias calientes, **a fin de evitar daños permanentes sobre la superficie de vidrio.** Los derrames de productos azucarados (tales como gelatinas, caramelo con azúcar, dulces y jarabes) o plásticos mezclados pueden hacer que se pique la superficie de su placa de cocción (no cubierto por la garantía), a menos que el derrame sea eliminado cuando aún esté caliente. Se debe tener especial cuidado al retirar sustancias calientes.

Asegúrese de usar una espátula nueva y con filo.

No use una hoja desafilada o rota.

1. Apague todos los elementos de superficie. Quite las ollas calientes.
 2. Utilizando un guante de cocina:
 - a. Use una rasqueta de filo único (rasqueta para estufas de cerámica CERAMA BRYTE®) para desplazar el derrame a un área fría sobre la estufa.
 - b. Quite el derrame con toallas de papel.
 3. Cualquier derrame restante debe dejarse hasta que la superficie de la estufa se haya enfriado.
 4. No use los elementos de superficie de nuevo hasta que todos los restos se haya quitado por completo.
- NOTA:** Si la superficie de vidrio ya ha sufrido marcas o hendiduras, el vidrio de la estufa deberá reemplazarse. En este caso, será necesaria la atención de un técnico.

Consejos para la Solución de Problemas... Antes de solicitar el servicio técnico

¡Ahorre tiempo y dinero! Primero revise los cuadros que aparecen en las siguientes páginas y es posible que no necesite solicitar reparaciones. Si se produce un error en el funcionamiento del control, un código de falla titilará en la pantalla. Registre el código de error y llame al servicio técnico.

Problema	Causa Posible	Qué Hacer
Los elementos de superficie no mantienen un hervor constante o la cocción es lenta	Se está utilizando recipientes de cocción inadecuados.	Use ollas absolutamente planas y que coincidan con el diámetro de la unidad de la superficie seleccionada.
Los elementos de superficie no funcionan bien	Los controles de la estufa están mal configurados.	Verifique para estar seguro de que se ha configurado el control correcto para el elemento de superficie que está utilizando.
Indicador de arco de corriente en ON (Encendido) titilando	Las teclas +, -, o bloque del control fueron presionadas antes de haber encendido un elemento.	Consulte la sección de Uso de los Elementos de Cocción.
Rayones en la superficie de vidrio de la estufa	Se están usando métodos de limpieza incorrectos.	Utilice procedimientos de limpieza recomendados. Ver la sección Cómo limpiar la estufa de vidrio.
	Se están usando recipientes con bases ásperas o hay partículas gruesas (sal o arena) entre el recipiente y la superficie de la estufa. Se ha deslizado un recipiente a través de la superficie de la estufa.	Para evitar rayones, use los procedimientos de limpieza recomendados. Verifique que las bases de los recipientes estén limpias antes del uso, y utilice recipientes con bases lisas.
Áreas de decoloración en la estufa	No se limpiaron los derrames de alimentos antes del uso siguiente.	Ver la sección Cómo limpiar la estufa de vidrio.
	Superficie caliente en un modelo con un estufa de vidrio de color claro.	Esto es normal. La superficie puede parecer decolorada cuando está caliente. Esto es temporal y desaparecerá mientras se enfría el vidrio.
Plástico derretido sobre la superficie	La estufa caliente entró en contacto con plástico.	Ver la sección Superficie de vidrio: posibilidades de daño permanente en la sección Cómo limpiar la estufa de vidrio.
Marcas (o hendiduras) en la estufa	Se ha derramado una mezcla azucarada caliente en la estufa.	Llame a un técnico calificado para el reemplazo.
El teclado no responde	El teclado está sucio.	Limpie el teclado.
	El fusible puede haberse quemado o el disyuntor puede haber saltado.	Cambie el fusible o vuelva a configurar el disyuntor.