

Rain Chain Assembly Instructions



*Watch our Assembly Video at
www.gooddirections.com/installationinstructions or scan*





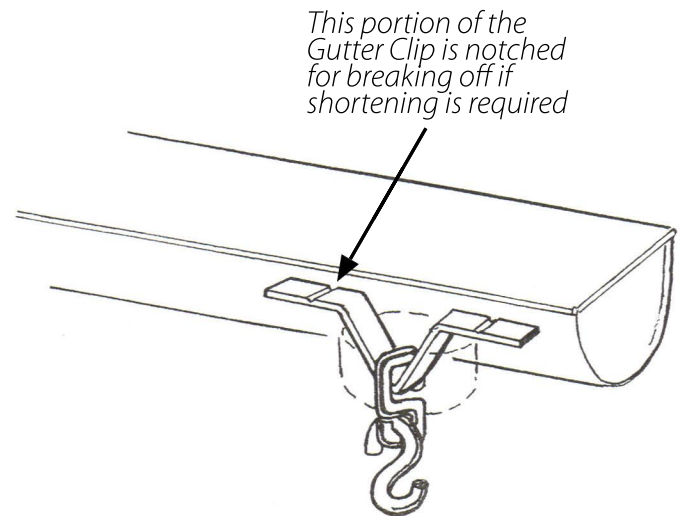
Rain Chain Assembly Instructions

Your Package Includes:

- 1 - 8 1/2' Rain Chain
- 1 - Gutter Clip

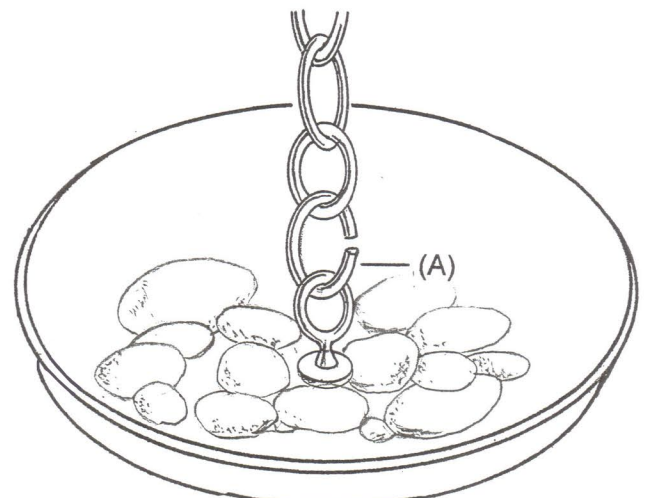
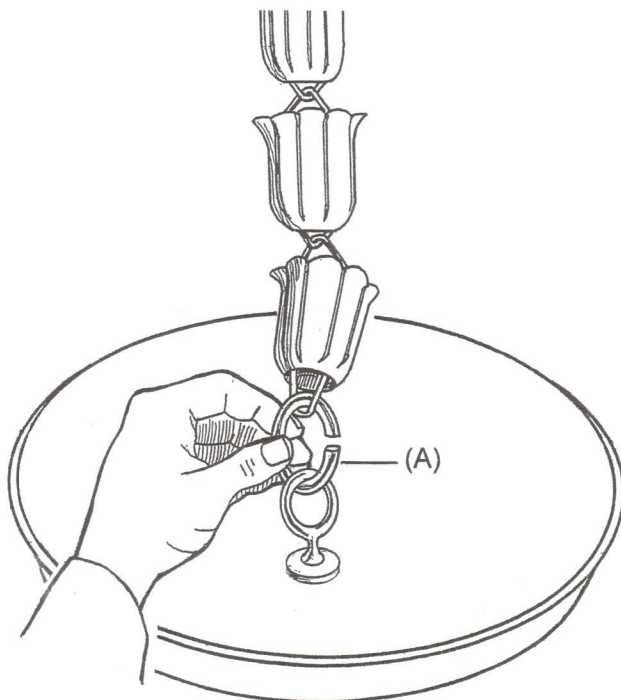
Installing to a Gutter System

1. Remove gutter downspout.
2. Insert Gutter Clip into drain hole in gutter.
3. Hook Rain Chain onto Gutter Clip.



Attaching to a Rain Chain Basin *(Sold Separately)*

1. Open link (A) *(supplied with basin)*.
 2. For Rain Chains that end with a cup, attach to loop at base of Rain Chain and close link (A).
 2. For Rain Chains that end in links, simply attach to basin link and close (A).



Tip: Decorative stones added to basin will give stability.