

**ACCENTUATIONS**  
by MANHATTAN COMFORT

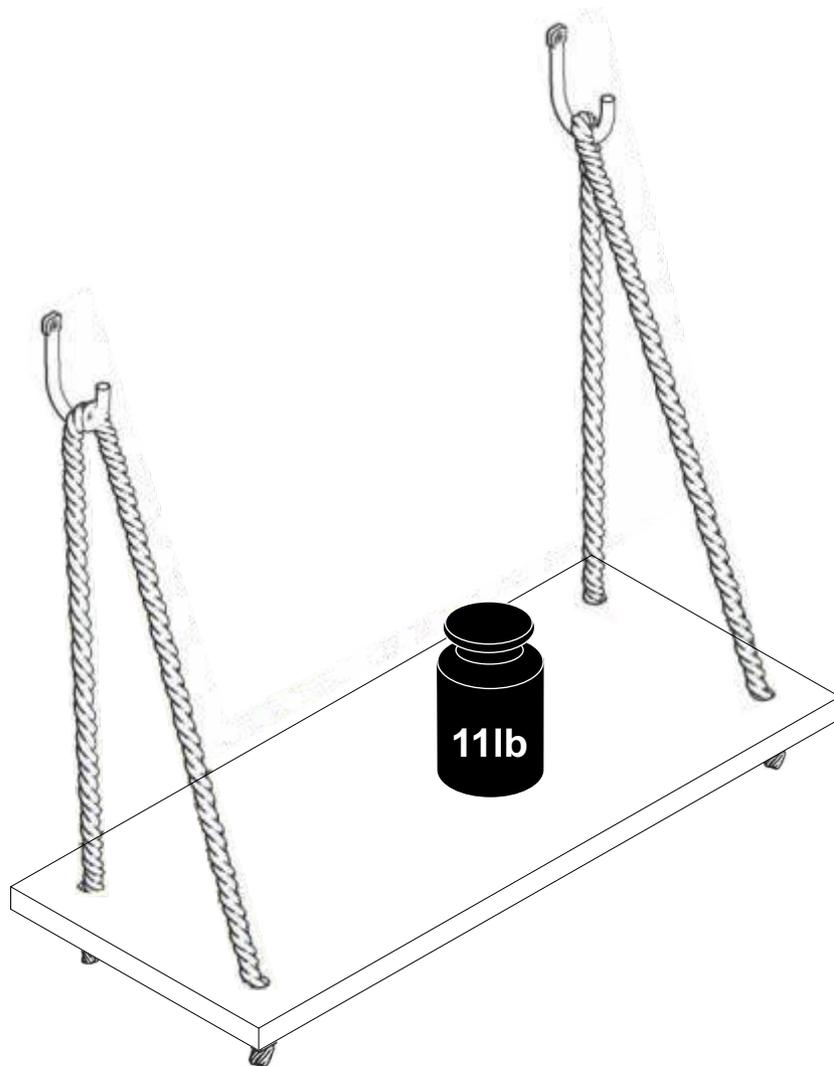


## **Uptown 1.0 Swing Shelf**

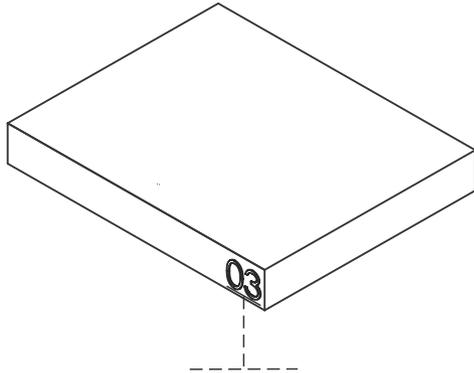
Model: 95AMC6

# Dimensions:

W: 17.52" H: 11.81" D: 7.48"



**01**

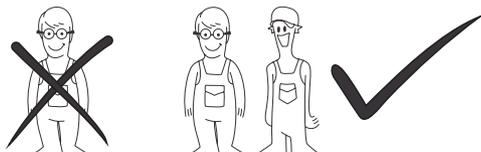
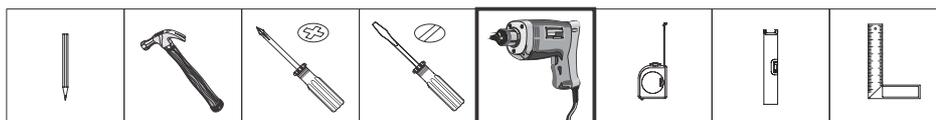


**USE ALCOHOL TO REMOVE PART NUMBERS**

PART	DESCRIPTION	QTY.
01	Shelf	01

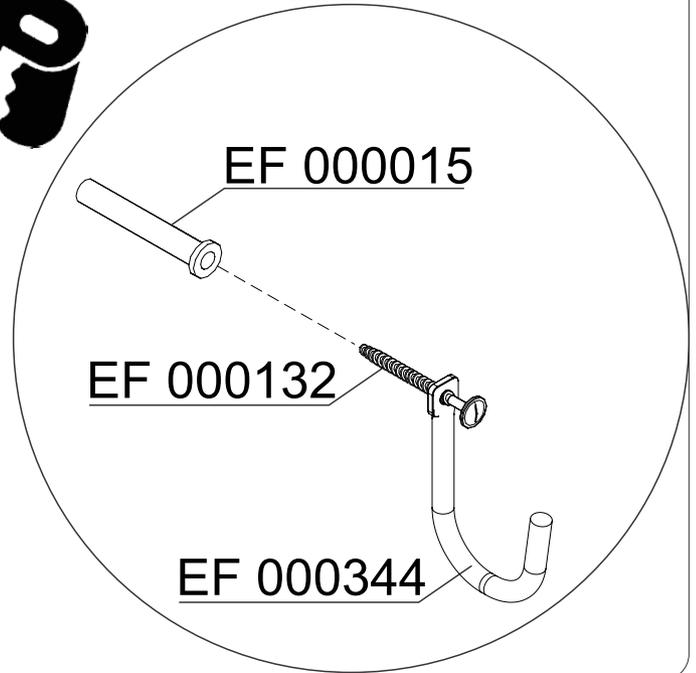
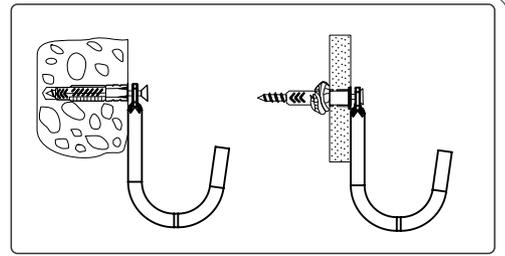
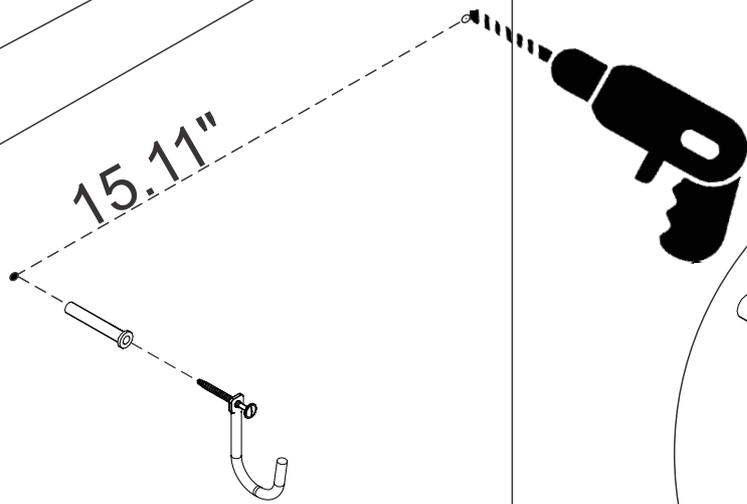
### HARDWARE PARTS

PHOTO	CODE	QTY.
	<b>EF 000344</b>	<b>02</b>
	<b>EF 000015</b>	<b>02</b>
 4x50	<b>EF 000132</b>	<b>02</b>
 1100 mm	<b>Sisal rope</b>	<b>02</b>



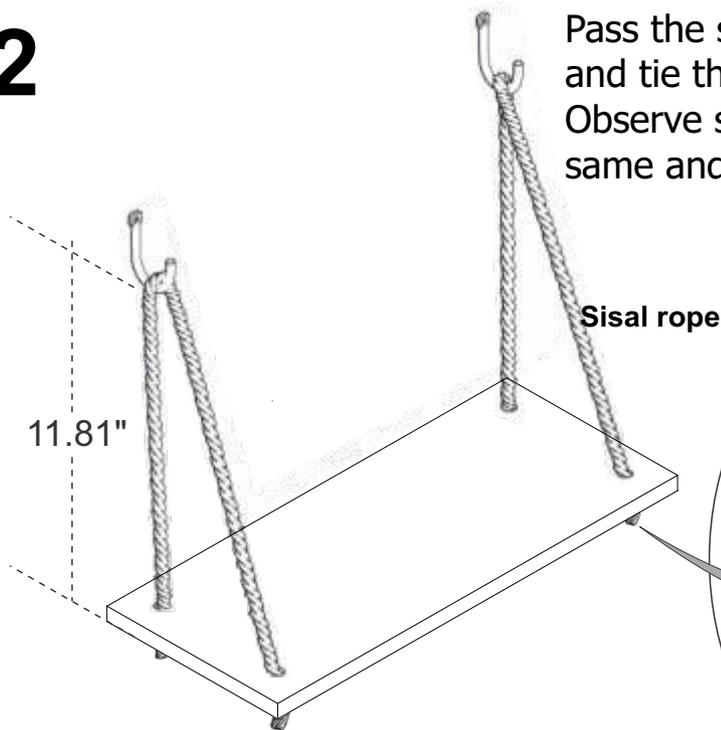
**TO IMPROVE ASSEMBLY, USE AN ELECTRONIC SCREWDRIVER**

# 1

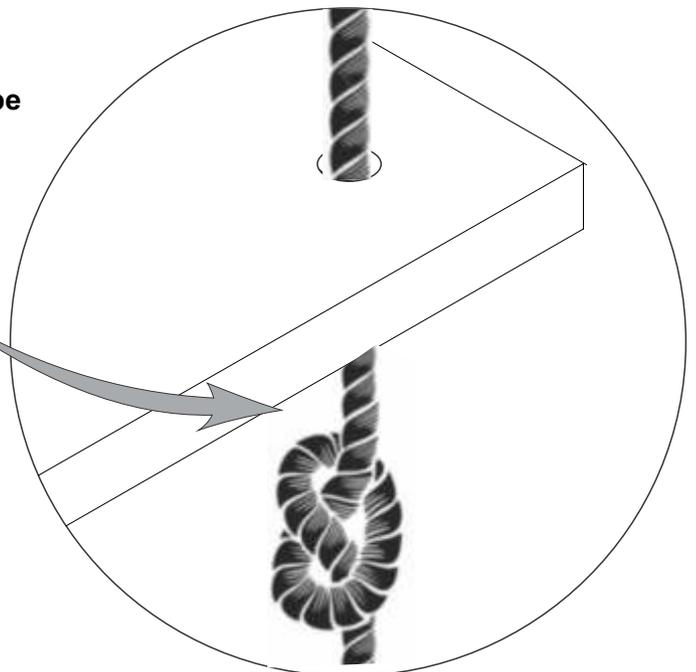


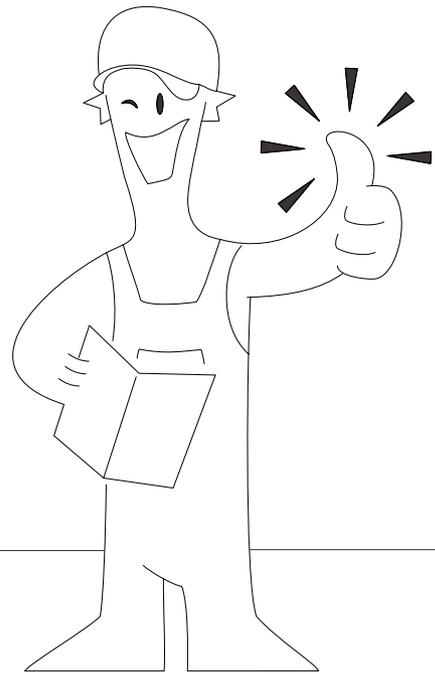
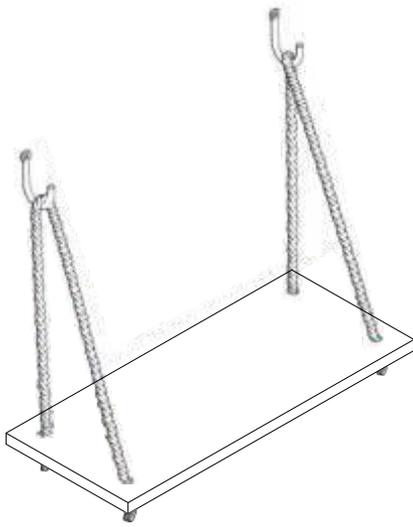
Considering that indicated measurement, drill the wall, insert hardware EF 000015. Fix hardware EF000344 on the wall, using hardware EF 000132.

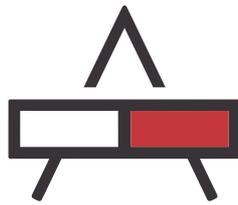
# 2



Pass the sisal rope through the holes in the shelf and tie the ends as shown in the drawing. Observe so that the sides measure look the same and adjust it.







# ACCENTUATIONS

by MANHATTAN COMFORT