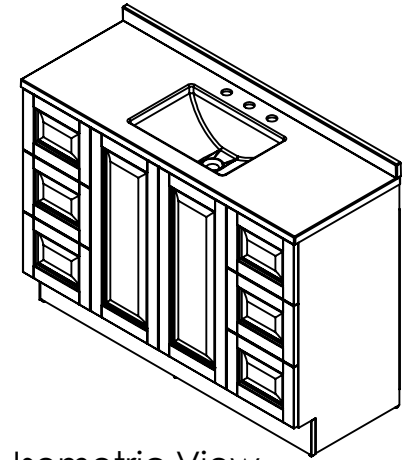
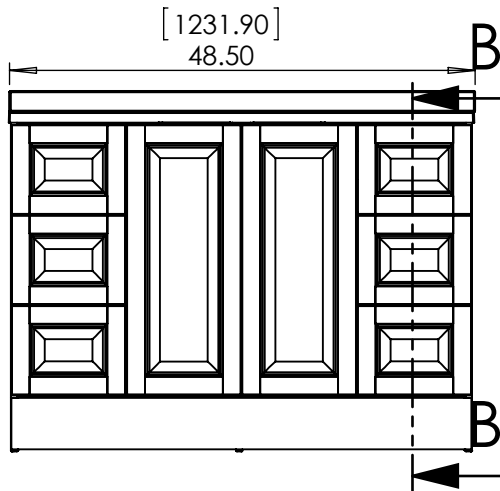


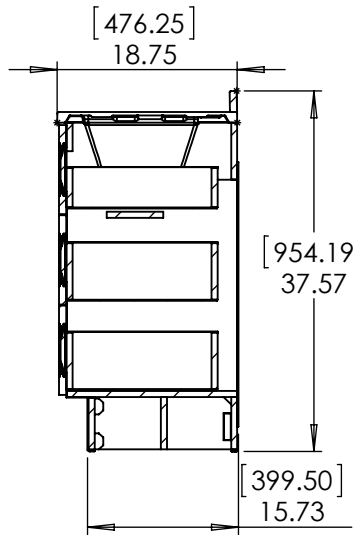
Top View



Isometric View

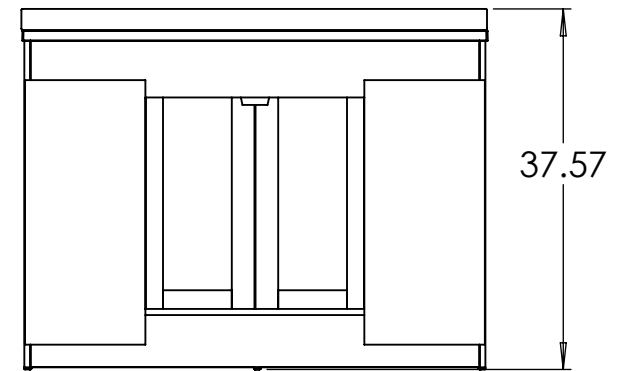


Front View



SECTION B-B

Side View



Back View

ITEM:	NW48P2-DK	REV	A
-------	------------------	-----	----------

NAME: **Northwood 48in - Dusk**

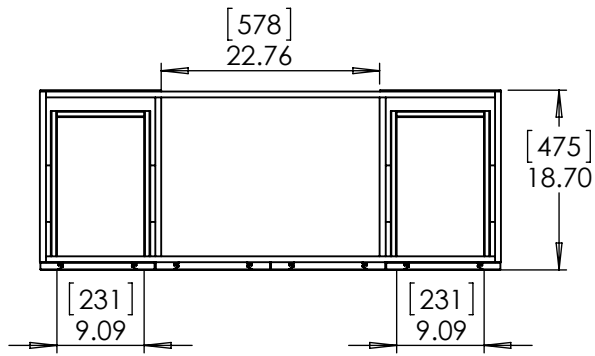


DRAWING	ARB	11/20/18
REVIEW	ING	11/20/18
APPROVED	R&D	11/20/18

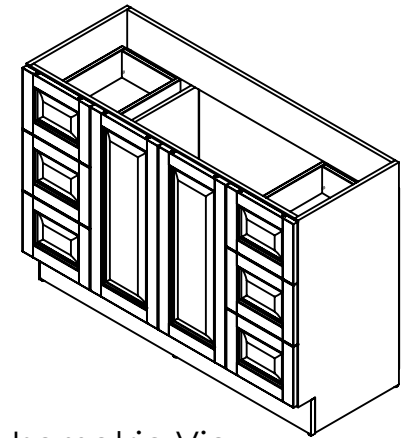
MATERIAL: **German beech 4/4 Particle Board Laminated Paper Dusk**

SCALE: 1:20 MODEL: **Northwood 48in**

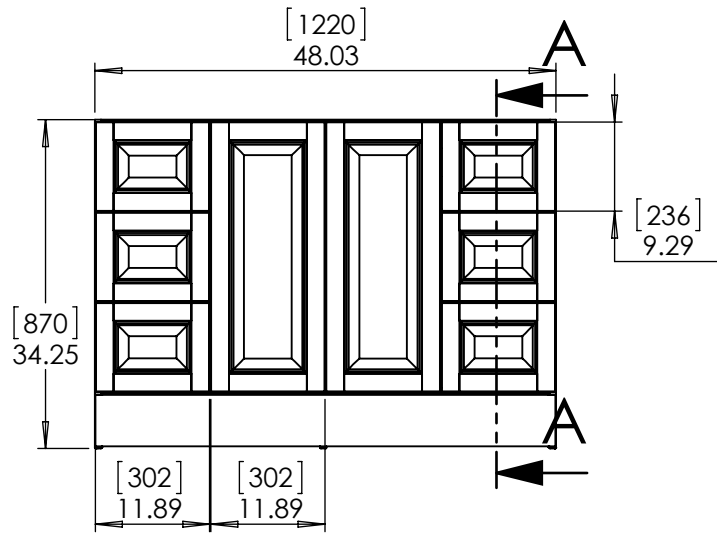
Propiedad y Confidencialidad
 La información contenida en este dibujo es puramente propiedad de *Woodcrafters Home Products LLC*. Queda prohibida cualquier reproducción parcial o total sin el permiso por escrito de *Woodcrafters Home Product LLC*.



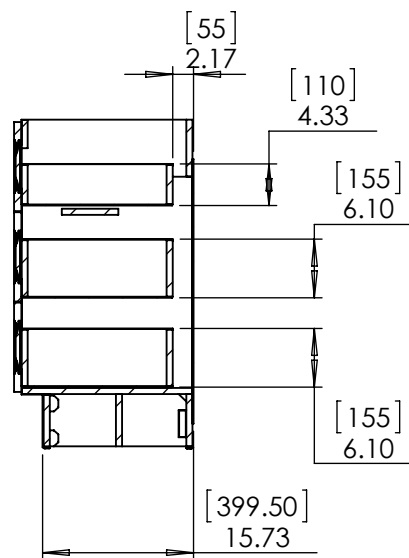
Top View



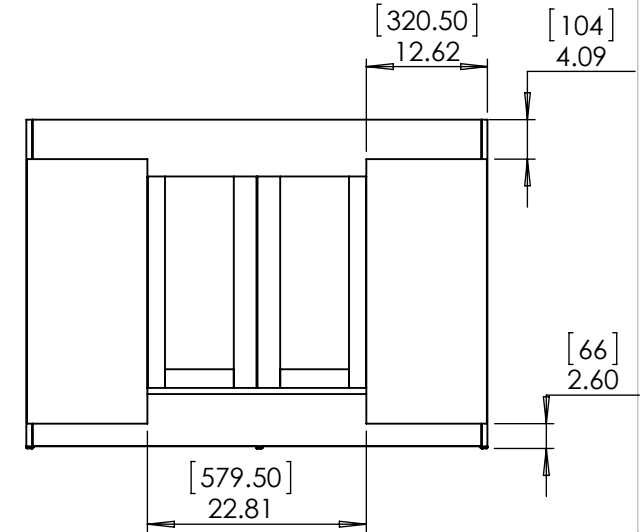
Isometric View



Front View



SECTION A-A



Back View



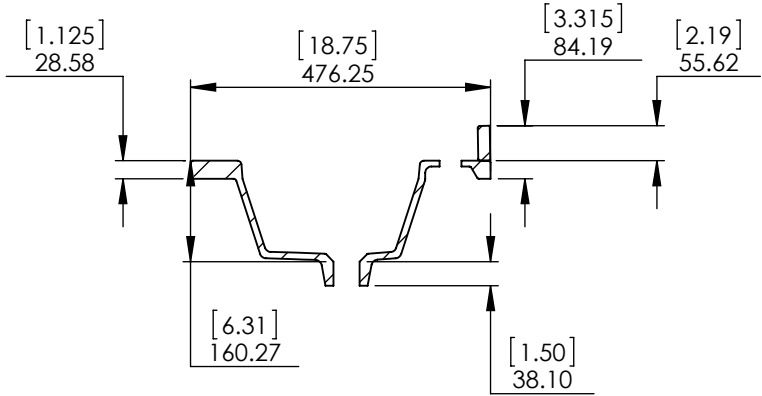
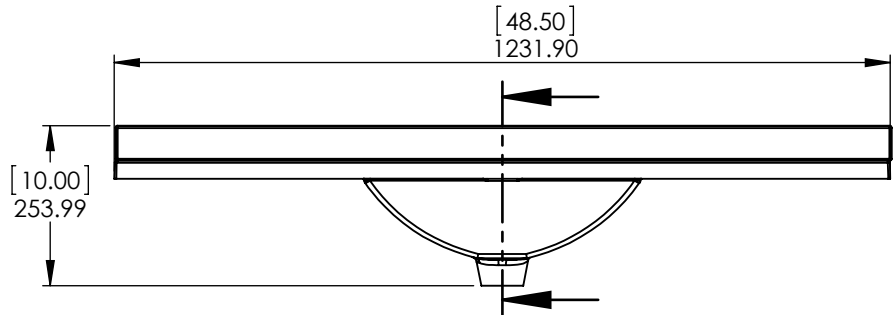
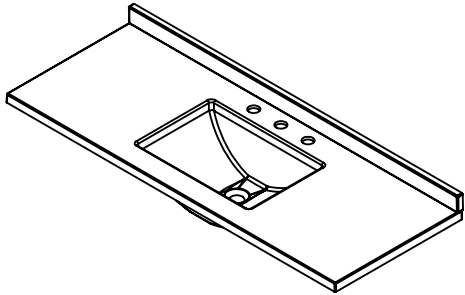
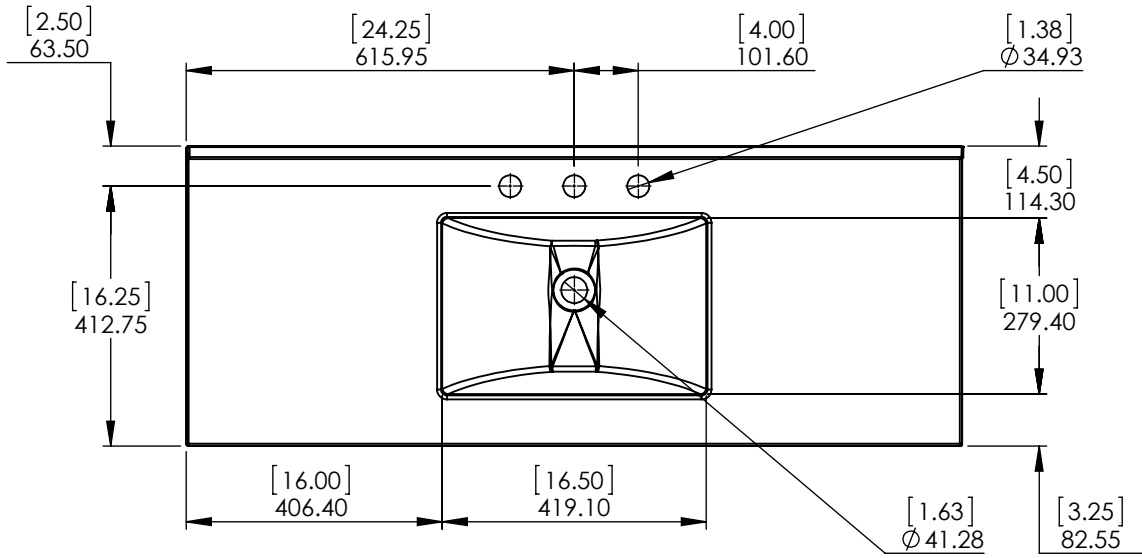
Propiedad y Confidencialidad
 La información contenida en este dibujo es puramente propiedad de Woodcrafters Home Products LLC. Queda prohibida cualquier reproducción parcial o total sin el permiso por escrito de Woodcrafters Home Product LLC.

DRAWING	ARB	11/20/18
REVIEW	ING	11/20/18
APPROVED	R&D	11/20/18
SCALE:	1:20	
MODEL:	Northwood 48in	

ITEM:	NW48P2-DK	REV	A
NAME:	Northwood 48in - Dusk		
MATERIAL:	German beech 4/4 Particle Board Laminated Paper Dusk		

ID	Description	Technology	Status
595600	Vtop Bitono Rect 48.5x18.75 SS Silver Ash 8in	Solid Surface	Approved for production

Rev #	Approved by	Change
0	R. Rubio	Released



NOTE: MAX. WARPAGE
TOLERANCE 1/8"

PROPRIETARY AND CONFIDENTIAL		UNLESS OTHERWISE SPECIFIED		NAME		DATE		
THE INFORMATION CONTAINED IN THIS DRAWING IS THE SOLE PROPERTY OF WOODCRAFTERS. ANY REPRODUCTION IN PART OR AS A WHOLE WITHOUT THE WRITTEN PERMISSION OF WOODCRAFTERS IS PROHIBITED.		DIMENSIONS ARE IN MM. AND (INCHES)		DRAWN R. Rubio		11/20/18		
		TOLERANCES ARE + 0.125 [3.175] - 0.125 [-3.175]		CHECKED R. Rubio		11/20/18		
		SCALE:1:10		ENG APPR. R. Rubio		11/20/18		
				MFG APPR. C. Leal		11/20/18		
				SIZE		DWG. NO.		
				A		Vtop Bitono Rect 48.5x18.75 SS Silver Ash 8in		
							SHEET 1 OF 1 REV: 0	

