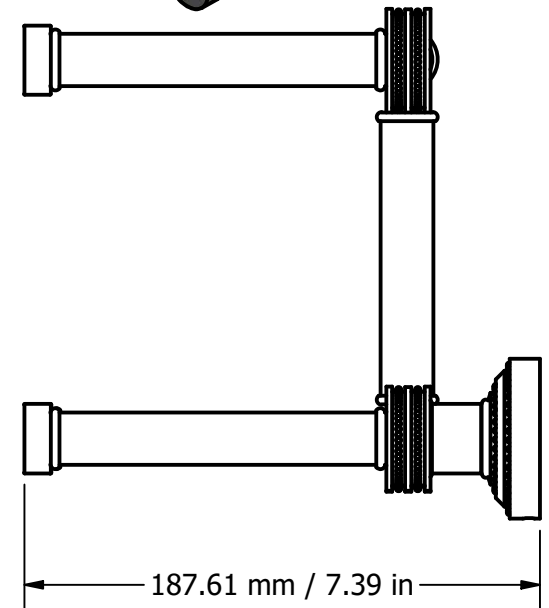
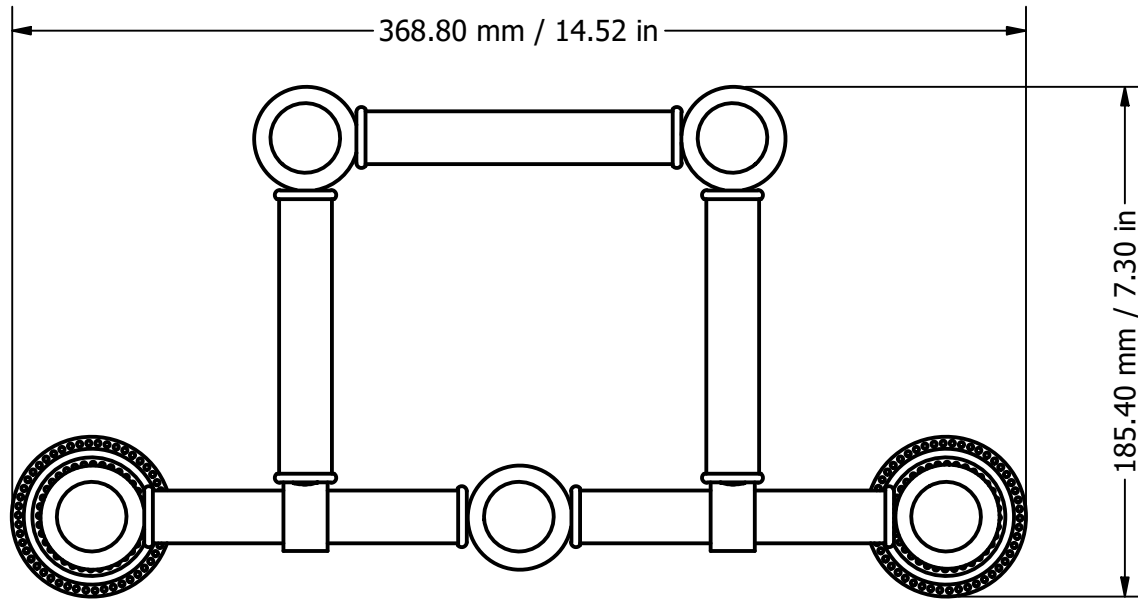
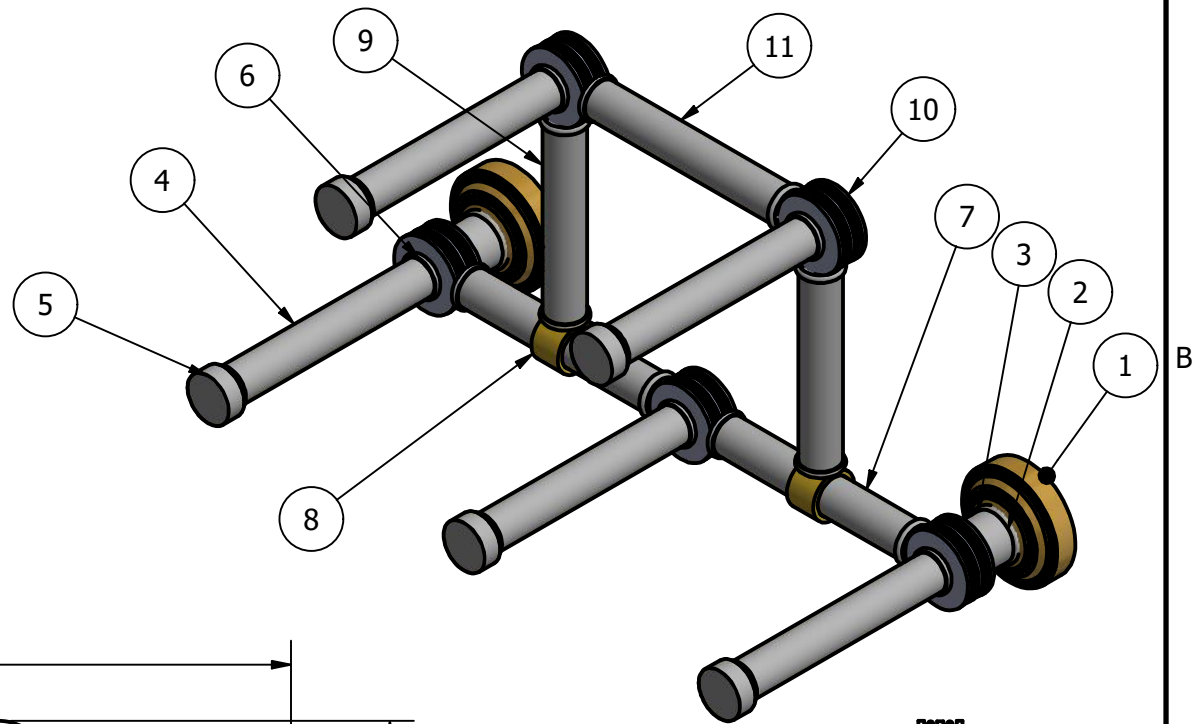


PARTS LIST			
ITEM	QTY	PART NUMBER	DESCRIPTION
1	2	BPDT	BACKPLATE
2	8	CRRD-1	CHECK RING
3	5	TU1-1	TUBE
4	5	TU1-4.75	TUBE
5	5	CARD-1	CAP
6	10	CRRD-34	CHECK RING
7	4	TU34-2	TUBE
8	2	HB1T-1	HUB
9	2	TU34-4	TUBE
10	5	RGDTD	RING
11	1	TU34-4.5	TUBE




APPROVED FOR PRODUCTION

By: RICHARD PAUL
Date: 12-19-18

UNLESS OTHERWISE SPECIFIED	
.X	± .3mm
.XX	± .15mm
.XXX	± .008mm



THIRD ANGLE PROJECTION

DRAWN	12-19-18	IM	MATERIAL:	BRASS	FINISH	TBD
CHECKED	12-19-18	P.D.	DESCRIPTION:		QTY	TBD
APPROVED	12-19-18	R.A.	Dottingham Collection 5 Roll T.P. Wall Rack		DRAWING NO.	
					DT-24-5	
					SCALE	1.5:1
					SHEET: 1 OF 1	REV