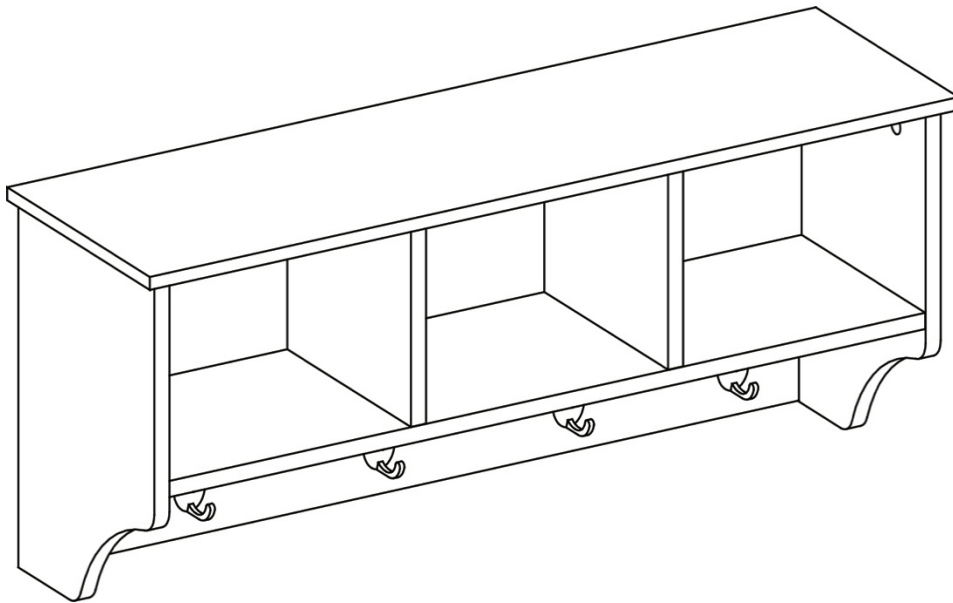




ASSEMBLY INSTRUCTIONS



RiverRidge® Woodbury Wall Shelf

ITEM #: 16-030

ADULT ASSEMBLY REQUIRED

This product requires assembly by an adult because of small parts. Care should be taken in unpacking and assembling this item to keep small parts away from children.

WARNING SEE FULL WARNING ON PAGE 2

Young children can be seriously injured or killed if furniture tips over. Don't use this item for a TV stand or place heavy objects on top of item. Always use angle-braces or anchors to secure furniture to the wall.

THIS SHELF UNIT WILL HOLD UP TO 10 POUNDS PER CUBBY FOR A TOTAL OF 30 POUNDS. DO NOT LOAD CUBBIES WITH MORE THAN 10 POUNDS. OVERLOADING WITH MORE THAN 10 POUNDS PER CUBBY MAY CAUSE SHELF TO FALL FROM WALL AND CAUSE DAMAGED TO THE SHELF OR SERIOUS INJURY OR DEATH.

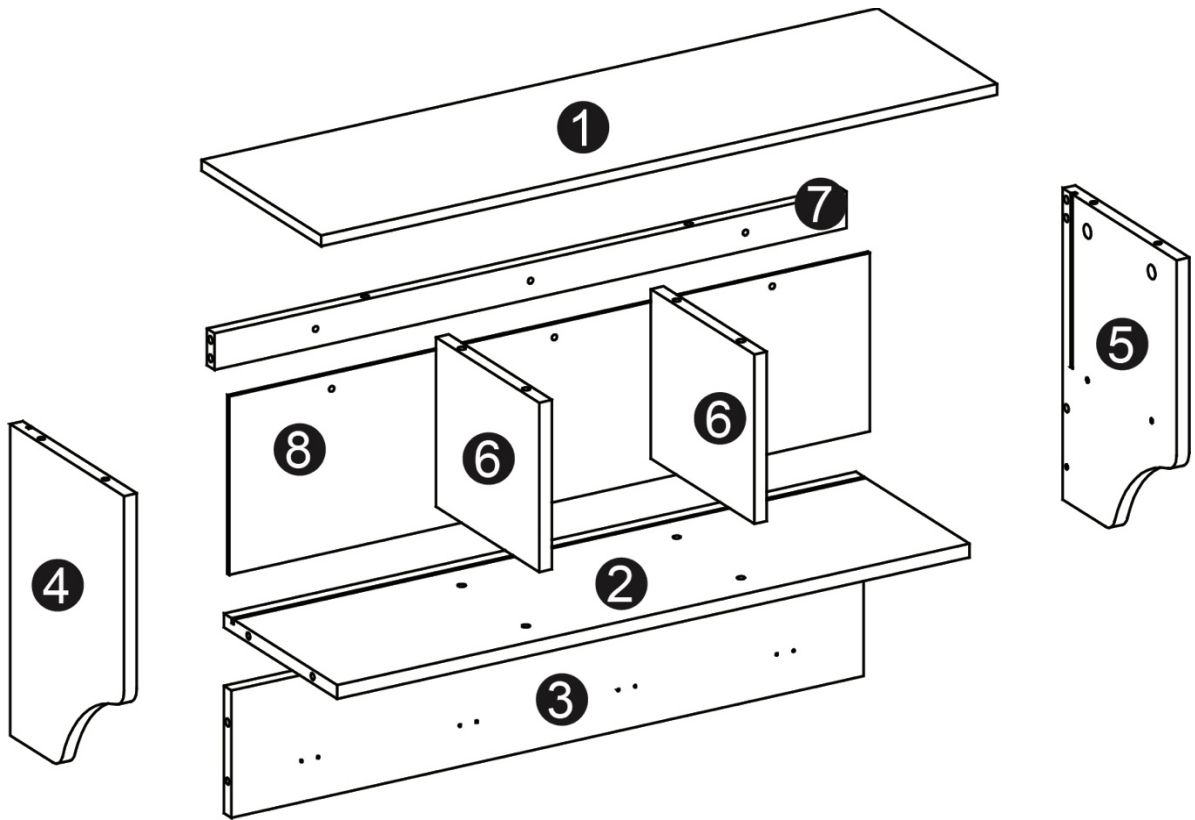


WARNING

SERIOUS OR FATAL INJURIES CAN OCCUR FROM FURNITURE TIP-OVER. TO HELP PREVENT TIP-OVER:




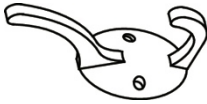

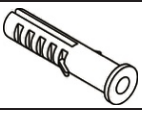
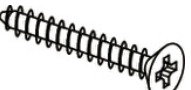
- **Always use tip over restraints and/or wall anchors to secure furniture to the wall**
- **Place heaviest items in the lowest drawers/bins or shelves**
- **Do not set TV's or other heavy objects on the top of this product**
- **Never allow children to climb or hang on to the drawers/bins, doors or shelves of furniture**
- **Never open more than one drawer at a time or defeat or remove any drawer interlock system**

PARTS LIST



NO	QTY	DESCRIPTION
1	IPC	Top Board
2	IPC	Bottom Board
3	IPC	Lower Cross Board
4	IPC	Left Side Panel
5	IPC	Right Side Panel
6	2PCS	Divider Board
7	IPC	Rear Cross Bar
8	IPC	Back Board

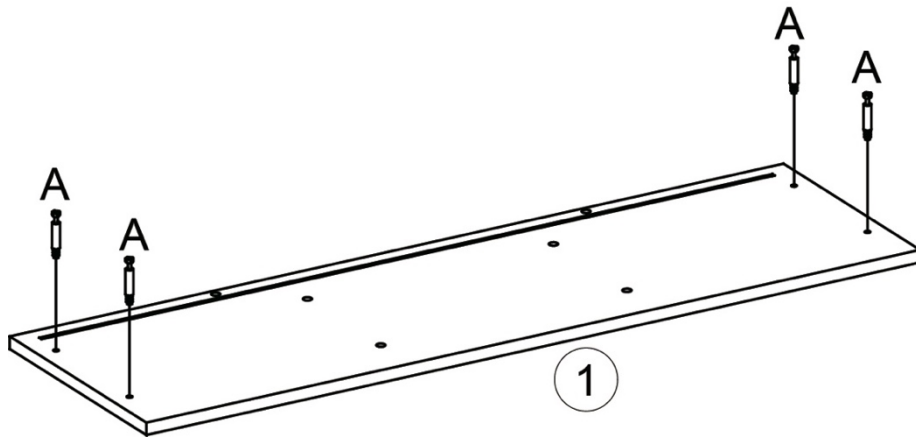
PARTS LIST

NO	PART	QTY	DESCRIPTION
A		10PCS	Cam Bolt
B		10PCS	Cam Lock
C		18PCS	Wood Dowel (8x30mm)
D		4PCS	Hook
E		8PCS	Screw (3X12mm)
F		3PCS	Plastic Anchor
G		3PCS	Screw (5X45mm)

**TOOLS NEEDED FOR ASSEMBLY: FLAT & PHILLIPS SCREWDRIVER (NOT INCLUDED)
 THE USE OF POWER SCREWDRIVER IS NOT RECOMMENDED FOR ASSEMBLY
 TOOL NEEDED FOR SECURING TO WALL: POWER DRILL (NOT INCLUDED)**

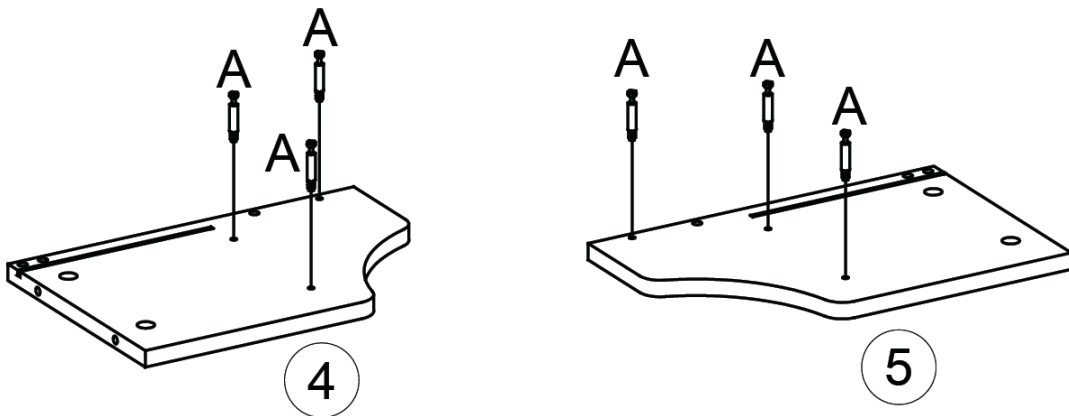
To order replacement parts at no cost to you, email customer.service@ssi-rr.com,
 call 1-(844)-223-5201 or order parts online at www.riverridgehome.com

STEP 1



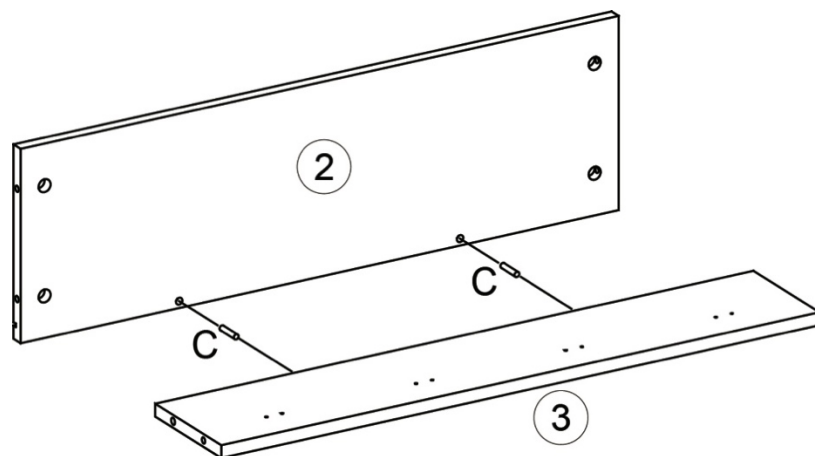
1. Screw 4 cam bolts (A) into pre-threaded holes on top board (1).

STEP 2



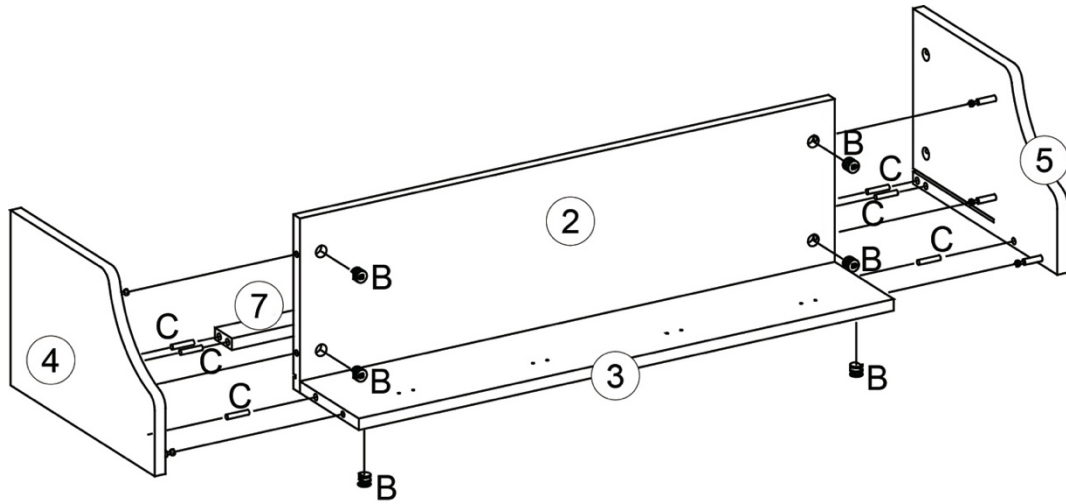
1. Screw 6 cam bolts (A) into pre-threaded holes on left side panel (4) and right side panel (5).

STEP 3



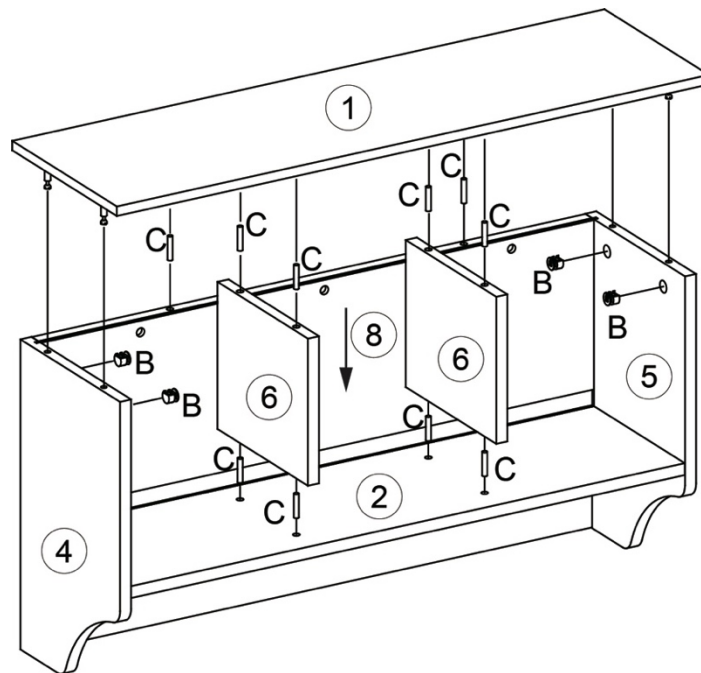
1. Insert 2 wood dowels (C) into wood dowel holes on lower cross bar (3).
2. Attach lower cross bar (3) to bottom board (2) by inserting wood dowels (C) into wood dowel holes on bottom board (2).

STEP 4



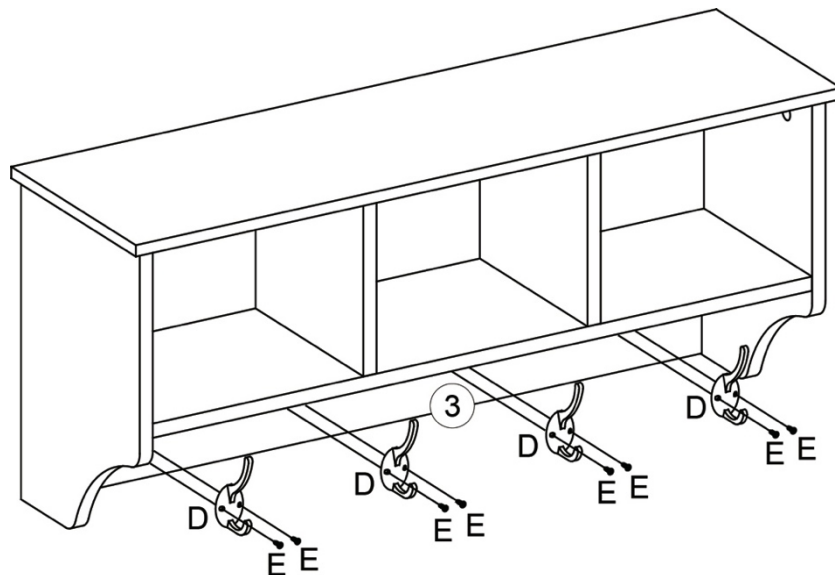
1. Insert 3 wood dowels (C) into wood dowel holes on left side panel (4).
2. Attach left side panel (4) to rear cross bar (7), bottom board (2) and lower cross bar (3) by inserting wood dowels (C) into wood dowel holes and cam bolts (A) into cam lock holes on rear cross bar (7), bottom board (2) and lower cross bar (3).
3. Insert 3 cam locks (B) into cam lock holes on bottom board (2) and lower cross bar (3), then rotate clockwise to secure cam bolts in place.
4. Repeat above steps to assemble right side panel (5) to rear cross bar (7), bottom board (2) and lower cross bar (3).

STEP 5



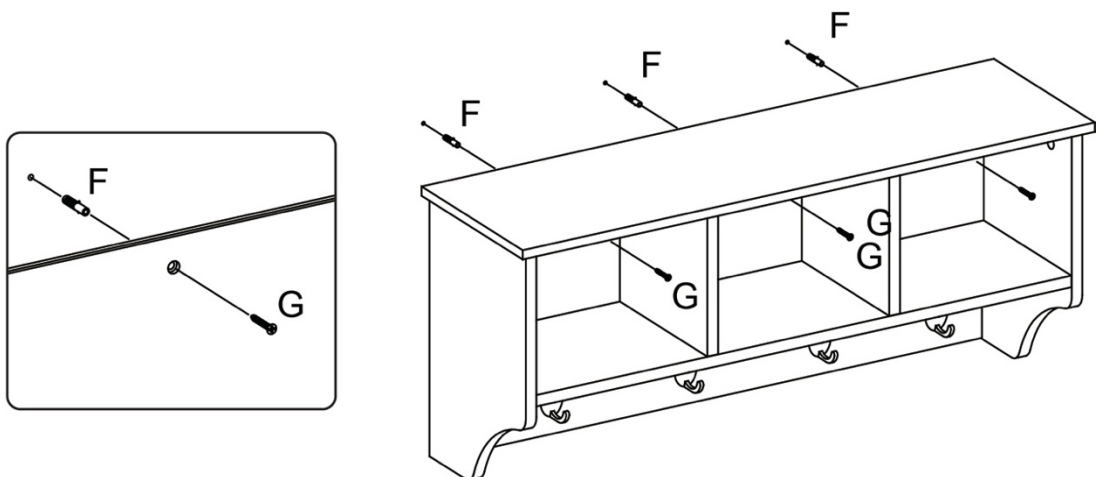
1. Insert 10 wood dowels (C) into wood dowel holes on divider boards (6) and rear cross bar (7).
2. Attach divider boards (6) to bottom board (2) by inserting wood dowels (C) into wood dowel holes on bottom board (2).
3. Slide back board (8) into grooves on left side panel (4), right side panel (5) and bottom board (2).
4. Attach top board (1) to left side panel (4), right side panel (5), divider boards (6) and rear cross bar (7) by inserting wood dowels (C) into wood dowel holes on top board (1) and cam bolts (A) into cam lock holes on left side panel (4) and right side panel (5). Make sure back board (8) is in groove on top board (1).
5. Insert 4 cam locks (B) into cam lock holes on left side panel (4) and right side panel (5), then rotate clockwise to secure cam bolts in place.

STEP 6



1. Attach 4 hooks (D) to cabinet by inserting 8 screws (E) through holes on hooks (D), then tighten to lower cross bar (3).

STEP 7

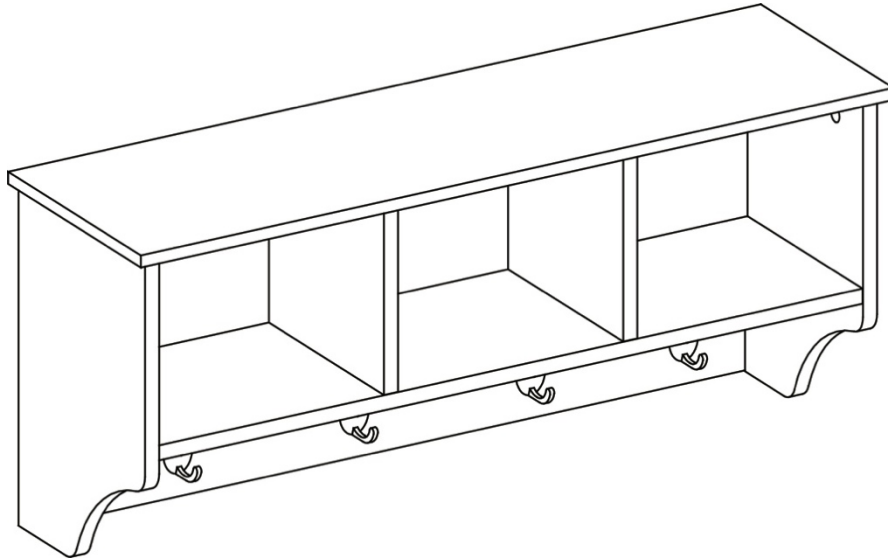


1. Place drawing with hole position in desired location on wall and drill holes on wall.
2. Insert 3 plastic anchors (F) into holes on wall.
3. Align holes on cabinet in place with holes in wall and insert screws (G) through holes on rear cross bar (7), then tighten to plastic anchors (F) in wall.

ATTENTION ADULTS: Cabinet should be checked periodically for damage or loose screws/parts. Take appropriate action necessary to correct hazards such as tightening of screws and taking any damaged parts away from children.

WARNING  Please make sure your item is secured to the wall, per assembly instructions.

Enjoy your new RiverRidge® Wall Shelf!



Thank you for purchasing this RiverRidge® Home item. We hope you enjoy it and consider purchasing other RiverRidge® items.

To order replacement parts at no cost to you, email customer.service@ssi-rr.com, call 1-(844)-223-5201 or order parts online at www.riverridgehome.com



RiverRidge® is a registered trademark of Sourcing Solutions, Inc., Hudson, WI 54016