



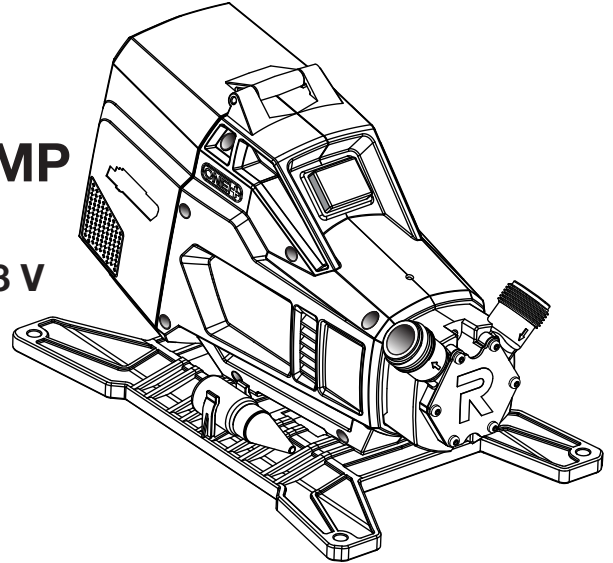
# OPERATOR'S MANUAL

MANUEL D'UTILISATION  
MANUAL DEL OPERADOR

## 18 VOLT HYBRID TRANSFER PUMP

POMPE DE TRANSFERT HYBRIDE DE 18 V  
BOMBA PARA TRANSFERIR DE HÍBRIDA DE 18 V

P750



**INCLUDES:** Pump, Pump Base, 6 ft. Hose, Intake Filter, Oil Bottle, External Power Supply, Additional Impeller and O-Ring, Operator's Manual

**INCLUT :** Pompe, base de la pompe, tuyau de 1,8 m (6 pi), filtre d'arrivée, bouteille de huile, alimentation électrique externe, impulseur et joint torique supplémentaires, manuel d'utilisation

**INCLUYE:** Bomba, base de la bomba, manguera de 1,8 m (6 pies), filtro de entrada, botella de aceite, fuente de alimentación exterior, impulsor y juntas tóricas adicional, manual del operador

### TABLE OF CONTENTS

\*\*\*\*\*

- Important Safety Instructions .....2-3
- Transfer Pump Safety Warnings .....3
- Electrical .....4
- Symbols .....5
- Assembly .....6
- Operation .....7-8
- Maintenance .....8
- Illustrations .....10-11
- Parts Ordering / Service ..... Back Page

### TABLE DES MATIÈRES

\*\*\*\*\*

- Instructions importantes concernant la sécurité .....2-3
- Avertissements de sécurité relatifs pompe de transfert .....3
- Caractéristiques électriques .....4
- Symboles .....5
- Assemblage .....6
- Utilisation .....7-8
- Entretien .....9
- Illustrations .....10-11
- Commande de pièces / réparation .....Page arrière

### ÍNDICE DE CONTENIDO

\*\*\*\*\*

- Instrucciones de seguridad importantes .....2-3
- Advertencias de seguridad para bomba para transferir .....3
- Aspectos eléctricos .....4
- Símbolos .....5
- Armado .....6
- Funcionamiento .....7-8
- Mantenimiento .....9
- Ilustraciones .....10-11
- Pedidos de piezas / servicio ..... Pág. posterior

**WARNING:** To reduce the risk of injury, the user must read and understand the operator's manual before using this product.

**AVERTISSEMENT :** Pour réduire les risques de blessures, l'utilisateur doit lire et veiller à bien comprendre le manuel d'utilisation avant d'employer ce produit.

**ADVERTENCIA:** Para reducir el riesgo de lesiones, el usuario debe leer y comprender el manual del operador antes de usar este producto.

**SAVE THIS MANUAL FOR FUTURE REFERENCE**

**CONSERVER CE MANUEL POUR FUTURE RÉFÉRENCE**

**GUARDE ESTE MANUAL PARA FUTURAS CONSULTAS**

# IMPORTANT SAFETY INSTRUCTIONS



## WARNING!

**READ AND SAVE THESE INSTRUCTIONS.** Failure to follow all instructions listed below, may result in electric shock, fire and/or serious personal injury.

**Save all warnings and instructions for future reference.** The term “product” in the warnings refers to your mains-operated (corded) product or battery-operated (cordless) product.

## WORK AREA SAFETY

- **Keep your work area clean and well lit.** Cluttered benches and dark areas invite accidents.
- **Do not operate products in explosive atmospheres, such as in the presence of flammable liquids, gases, or dust.** Products create sparks which may ignite the dust or fumes.
- **Keep children and bystanders away while operating a product.** Distractions can cause you to lose control.

## ELECTRICAL SAFETY

- **A battery operated product with integral batteries or a separate battery pack must be recharged only with the specified charger for the battery.** A charger that may be suitable for one type of battery may create a risk of fire when used with another battery.
- **Use this product only with batteries and chargers listed in tool/appliance/battery pack/charger correlation supplement 987000-432.**
- **When using a power cord, protect the power cord from being walked on or pinched particularly at plugs, convenience receptacles, and the point where they exit from the product.**
- **Do not expose products to rain or wet conditions.** Water entering a product will increase the risk of electric shock.
- **Unplug this product or disconnect the battery when not in use.**

## PERSONAL SAFETY

- **Do not overreach. Keep proper footing and balance at all times.** Proper footing and balance enable better control of the product in unexpected situations.
- **Do not use on a ladder or unstable support.** Stable footing on a solid surface enables better control of the product in unexpected situations.
- **Prevent unintentional starting. Ensure the switch is in the off-position before connecting to power source and/or battery pack, picking up or carrying the tool.** Carrying power tools with your finger on the switch or energising power tools that have the switch on invites accidents.

- **To reduce the risk of electrocution,** keep all connections dry and off the ground. Do not touch plug with wet hands.

## TRANSFER PUMP USE AND CARE

- **CAUTION: The pump has been evaluated for use with water only. Do not use with acids, alkalines, solvents, flammable material, gasoline or petroleum products, bleaches, or industrial grade solutions.** These products can cause physical injuries to the operator and irreversible damage to the pump.
- **Do not use product if switch does not turn it on or off.** A product that cannot be controlled with the switch is dangerous and must be repaired.
- **Disconnect battery pack or power supply from product before making any adjustments, changing accessories, or storing the product.** Such preventive safety measures reduce the risk of starting the product accidentally.
- **Release the pressure and drain water from the pump before servicing.**
- **Keep the product and its handle dry, clean and free from oil and grease.** Always use a clean cloth when cleaning. Never use brake fluids, gasoline, petroleum-based products, or any strong solvents to clean your product. Following this rule will reduce the risk of loss of control and deterioration of the enclosure plastic.
- **Clean only with dry cloth.**
- **Do not operate near any heat sources such as radiators, heat registers, stoves, or other apparatus (including amplifiers) that produce heat.**

## BATTERY TOOL USE AND CARE

- **Recharge only with the charger specified by the manufacturer.** A charger that is suitable for one type of battery pack may create a risk of fire when used with another battery pack.
- **Use products only with specifically designated battery packs.** Use of any other battery packs may create a risk of injury and fire.
- **When battery pack is not in use, keep it away from other metal objects, like paper clips, coins, keys, nails, screws or other small metal objects, that can make a connection from one terminal to another.** Shorting the battery terminals together may cause burns or a fire.
- **Under abusive conditions, liquid may be ejected from the battery; avoid contact. If contact accidentally occurs, flush with water. If liquid contacts eyes, additionally seek medical help.** Liquid ejected from the battery may cause irritation or burns.

# IMPORTANT SAFETY INSTRUCTIONS

## SERVICE

- **Product service must be performed only by qualified repair personnel.** Service or maintenance performed by unqualified personnel may result in a risk of injury.
- **When servicing the product, use only identical replacement parts. Follow instructions in the Maintenance section of this manual.** Use of unauthorized parts or failure to follow Maintenance Instructions may create a risk of shock or injury.

# TRANSFER PUMP SAFETY WARNINGS

- **Know your product. Read operator's manual carefully. Learn its applications and limitations, as well as the specific potential hazards related to this product.** Following this rule will reduce the risk of electric shock, fire, or serious injury.
- **Do not permit children to use pump.** It is not a toy.
- **Do not let the pump run dry.**
- **Do not lift the pump by the cord or hoses.**
- **Carefully position the power cord during use.** A power cord in your walking path can be a tripping hazard.
- **Periodically inspect the pump, hoses and intake filter.** Ensure hoses and intake filter are free from mud, sand and debris. Disconnect the battery or unplug the power cord before inspecting.
- **Battery tools do not have to be plugged into an electrical outlet; therefore, they are always in operating condition.** Be aware of possible hazards when not using your battery tool or when changing accessories. Following this rule will reduce the risk of electric shock, fire, or serious personal injury.
- **Do not place the product or its batteries near fire or heat.** This will reduce the risk of explosion and possibly injury.
- **Do not crush, drop or damage battery pack. Do not use a battery pack or charger that has been dropped or received a sharp blow.** A damaged battery is subject to explosion. Properly dispose of a dropped or damaged battery immediately.
- **Batteries can explode in the presence of a source of ignition, such as a pilot light.** To reduce the risk of serious personal injury, never use any cordless product in the presence of open flame. An exploded battery can propel debris and chemicals. If exposed, flush with water immediately.
- **Do not charge battery tool in a damp or wet location. Do not use, store, or charge battery packs or products in locations where the temperature is less than 50°F or more than 100°F.** Do not store outside or in vehicles.
- **Under extreme usage or temperature conditions, battery leakage may occur. If liquid comes in contact with your skin, wash immediately with soap and water. If liquid gets into your eyes, flush them with clean water for at least 10 minutes, then seek immediate medical attention.** Following this rule will reduce the risk of serious personal injury.
- **Do not incinerate the battery even if it is severely damaged.** The batteries can explode in a fire.
- **To reduce the risk of fire or electric shock, do not use this product with any solid-state speed control device.**
- **To reduce the risk of personal injury and electric shock, the product should not be played with or placed where small children can reach it.**
- **To reduce the risk of electric shock, do not expose to water or rain.**
- **Do not expose a battery pack or appliance to fire or excessive temperature.** Exposure to fire or temperature above 265°F may cause explosion.
- **Save these instructions.** Refer to them frequently and use them to instruct others who may use this tool. If you loan someone this tool, loan them these instructions also.

# ELECTRICAL

## ELECTRICAL CONNECTION

This product should be connected to a **power supply that is 120 volts, AC only (normal household current), 60 Hz.** Do not operate this product on direct current (DC) through the power cord. A substantial voltage drop will cause a loss of power and the motor will overheat. If the product does not operate when plugged into an outlet, double-check the power supply.

## GFCI

Ground Fault Circuit Interrupter (GFCI) protection should be provided on the circuit(s) or outlet(s) to be used for the pump. Outlets are available having built-in GFCI protection and may be used for this measure of safety.

## EXTENSION CORDS

Use only 3-wire extension cords that have 3-prong grounding plugs and 3-pole receptacles that accept the tool's plug. When using a power tool at a considerable distance from the power source, use an extension cord heavy enough to carry the current that the tool will draw. An undersized extension cord will cause a drop in line voltage, resulting in a loss of power and causing the motor to overheat. Use the chart provided below to determine the minimum wire size required in an extension cord. Only round jacketed cords listed by Underwriter's Laboratories (UL) should be used.

Use an extension cord that is designed for outside use. This type of cord is designated with "WA" or "W" on the cord's jacket.

Before using any extension cord, inspect it for loose or exposed wires and cut or worn insulation.

\*\*Ampere rating (on product data plate)

Cord Length	Wire Size (A.W.G.)					
	0-2.0	2.1-3.4	3.5-5.0	5.1-7.0	7.1-12.0	12.1-16.0
25'	16	16	16	16	14	14
50'	16	16	16	14	14	12
100'	16	16	14	12	10	—

\*\*Used on 12 gauge - 20 amp circuit

**NOTE:** AWG = American Wire Gauge

### **WARNING:**

Keep the extension cord clear of the working area. Position the cord so that it will not get caught on lumber, tools, or other obstructions while you are working with this product. Failure to do so can result in serious personal injury.




### **WARNING:**

Check extension cords before each use. If damaged replace immediately. Never use a product with a damaged cord since touching the damaged area could cause electrical shock resulting in serious injury.







To avoid the possibility of the product plug or outlet getting wet, the operator should arrange a "drip loop" in the cord connecting the product to the outlet. The "drip loop" is that part of the cord below the level of the outlet, or the connector if an extension cord is used, to prevent water traveling along the cord and coming in contact with the outlet.

# SYMBOLS

The following signal words and meanings are intended to explain the levels of risk associated with this product.

SYMBOL	SIGNAL	MEANING
	<b>DANGER:</b>	Indicates a hazardous situation, which, if not avoided, will result in death or serious injury.
	<b>WARNING:</b>	Indicates a hazardous situation, which, if not avoided, could result in death or serious injury.
	<b>CAUTION:</b>	Indicates a hazardous situation, that, if not avoided, may result in minor or moderate injury.
	<b>NOTICE:</b>	(Without Safety Alert Symbol) Indicates information considered important, but not related to a potential injury (e.g. messages relating to property damage).

Some of the following symbols may be used on this product. Please study them and learn their meaning. Proper interpretation of these symbols will allow you to operate the product better and safer.

SYMBOL	NAME	DESIGNATION/EXPLANATION
	Safety Alert	Indicates a potential personal injury hazard.
	Read Operator's Manual	To reduce the risk of injury, user must read and understand operator's manual before using this product.
	Wet Conditions Alert	Do not expose to rain or use in damp locations.
	Electric Shock	To reduce the risk of electrocution or electric shock, keep away from water and do not use with damaged power cord.
	Recycle Symbol	This product uses lithium-ion (Li-ion) batteries. Local, state or federal laws may prohibit disposal of batteries in ordinary trash. Consult your local waste authority for information regarding available recycling and/or disposal options.
V	Volts	Voltage
A	Amperes	Current
Hz	Hertz	Frequency (cycles per second)
W	Watt	Power
min	Minutes	Time
==	Direct Current	Type or a characteristic of current
~	Alternating Current	Type of current
	Class VI Tool	DOE certification

# ASSEMBLY

## UNPACKING

This product requires assembly.

- Carefully remove the tool and any accessories from the box. All items listed in the **Includes** section must be included at the time of purchase.

### **WARNING:**

Items in this *Assembly* section are not assembled to the product by the manufacturer and require customer installation. Use of a product that may have been improperly assembled could result in serious personal injury.

- If any parts are damaged or missing, please call 1-800-525-2579 for assistance.

### **WARNING:**

If any parts are damaged or missing do not operate this product until the parts are replaced. Use of this product with damaged or missing parts could result in serious personal injury.

### **WARNING:**

Do not attempt to modify this product or create accessories or attachments not recommended for use with this product. Any such alteration or modification is misuse and could result in a hazardous condition leading to possible serious personal injury.

## ASSEMBLE PUMP TO THE BASE

See *Figure 1, page 10*.

- Align the tabs on the bottom of the pump with the slots on the pump base.
- Slide the pump body onto the base until it clicks into place.

## ASSEMBLE INTAKE FILTER AND HOSE

See *Figures 2-3, page 10*.

- Attach a discharge hose or standard garden hose (not included) to the water outlet side of the pump.
- Attach the intake hose to the intake filter.
- Add two drops of oil into the water inlet before and after each use.
- Add water to the water inlet side of the pump to prime the impeller.
- Attach the other end of the intake hose to the water inlet side of the pump.

**NOTE:** Do not turn pump on without both intake and outlet hoses securely connected.



# OPERATION

## **WARNING:**

Do not allow familiarity with products to make you careless. Remember that a careless fraction of a second is sufficient to inflict serious injury.

## **WARNING:**

Keep water discharge pointed away from all electrical devices to reduce the risk of electrocution or electric shock.

## **WARNING:**

Ensure all hose connections are secure before using the transfer pump. Spilled water and leaks can result in a slippery surface and create a slip and fall hazard.

## **WARNING:**

Do not use any attachments or accessories not recommended by the manufacturer of this product. The use of attachments or accessories not recommended can result in serious personal injury.

## **WARNING:**

Always remove battery pack or unplug power cord from your product when you are assembling parts, making adjustments, cleaning, or when not in use. Removing battery pack or unplugging power cord will prevent accidental starting that could cause serious personal injury.

## APPLICATIONS

You may use this tool for the purpose listed below:

- Drain or remove water from flooded areas, clogged sinks, water basins, etc.

## **NOTICE:**

This product is designed to be powered by either a RYOBI™ One+™ 18V battery pack (DC mode) or by electric power (AC mode). Either power source can be used by installing an approved battery pack or power cord into the product as described in this manual.

## INSTALLING/REMOVING BATTERY PACK

See Figures 4 and 6, page 11.

- Set the ON/OFF switch to the OFF position.
- Press outward on the tab to open the battery cover latch.
- Insert the battery pack into the battery port.
- Make sure the latches on each side of the battery pack snap into place and the battery pack is secured before beginning operation.
- Close the battery cover and press until it snaps shut.

For complete charging instructions, see the operator's manuals for your battery pack and charger.

## INSTALLING/REMOVING POWER CORD

See Figures 5 and 6, page 11.

## **WARNING:**

Do not route cord under carpets, rugs, runners, furniture, or appliances and always route cord away from traffic areas to prevent a tripping hazard.

- Press outward on the tab to open the battery cover latch.
- Insert the female end of the power supply cord into the product as shown until it clicks into place.
- Connect the male end of the power cord to the power source.
- Make sure the power cord is secured before beginning operation.
- To remove the power cord, unplug the cord from the power source.
- Press the release button on the top of the female end of the power supply cord and remove from the tool.

## STARTING/STOPPING THE TRANSFER PUMP

See Figure 6, page 11.

- Add two drops of oil into the water inlet before and after each use.
- Add water to the water inlet side of the pump to prime the impeller.
- Connect the product to an AC or DC power supply.

## **WARNING:**

Hybrid tools are always in operating condition. Therefore, unit should always be in the OFF position, with the battery pack removed and power cord disconnected, when not in use. Do not leave pump on while unattended. Failure to follow these instructions could result in serious personal injury.

# OPERATION

- To start the pump, set the ON/OFF switch to the ON position.




**NOTE:** The pump has internal protection functions built in to it. The LED will flash indicating the error function. Please refer to the LED function chart to determine the proper pump error mode

- To stop the pump, set the ON/OFF switch to the OFF position.

**NOTE:** If the pump is connected to a battery or power supply while the ON/OFF switch is in the ON position, the pump may not start. To start the pump, set the ON/OFF switch in the OFF position, then switch to the ON position.

## LED FUNCTION OF THE PUMP

See Figure 7, page 11.

MODE	RED LED	ACTION
Power On	 On	Ready to pump.
Pump Run Dry	 Flashing	Turn pump ON/OFF switch to the OFF position.
		Relocate intake filter to deeper water.
Overload	 Pulsing	Pump will shut off. Turn pump ON/OFF switch to the OFF position.
		Inspect the impeller to ensure there is not an obstruction causing the issue.

# MAINTENANCE

## WARNING:

When servicing, use only identical replacement parts. Use of any other parts could create a hazard or cause product damage.

## STORING THE TRANSFER PUMP

Store indoors in a dry, locked-up place out of the reach of children, with the battery pack removed and power supply disconnected. Keep away from corrosive agents such as garden chemicals and de-icing salts.

## GENERAL MAINTENANCE

Avoid using solvents when cleaning plastic parts. Most plastics are susceptible to damage from various types of commercial solvents and may be damaged by their use. Use clean cloths to remove dirt, dust, oil, grease, etc.

## REPLACING THE IMPELLER AND O-RING

See Figure 8-9, page 11.

- Remove battery pack or disconnect pump from power source.
- Locate and remove the six screws from the impeller plate cover.
- Remove impeller cover plate and inspect o-ring for damage or wear. If o-ring is damaged or worn, replace o-ring.
- Remove old impeller and replace with new, lining up the key and insert into the pump as far as it will go.
- Make sure o-ring is properly seated and replace impeller cover plate with "R" facing out.
- Replace six screws. Refer to *Starting/Stopping the Transfer Pump* and check to make sure the impeller plate does not leak.

**NOTE: ILLUSTRATIONS START ON PAGE 10 AFTER FRENCH AND SPANISH LANGUAGE SECTIONS.**





# INSTRUCTIONS IMPORTANTES CONCERNANT LA SÉCURITÉ

## AVERTISSEMENT !

**LIRE ET CONSERVER CES INSTRUCTIONS.** Le non respect de toutes les instructions ci-dessous peut entraîner un choc électrique, un incendie et / ou des blessures graves.

**Conserver les avertissements et les instructions à des fins de référence ultérieure.** Le terme « produit », utilisé dans tous les avertissements ci-dessous désigne tout outil fonctionnant sur secteur (câblé) ou sur piles (sans fil).

## SÉCURITÉ DU LIEU DE TRAVAIL

- **Garder le lieu de travail propre et bien éclairé.** Les établis encombrés et les endroits sombres sont propices aux accidents.
- **Ne pas utiliser produit dans des atmosphères explosives, par exemple en présence de liquides, gaz ou poussières inflammables.** produit produisent des étincelles risquant d'enflammer les poussières ou vapeurs.
- **Garder les enfants et badauds à l'écart pendant l'utilisation d'un outil électrique.** Les distractions peuvent causer une perte de contrôle.

## SÉCURITÉ ÉLECTRIQUE

- **Les piles des produit, qu'elles soient intégrées ou amovibles, ne doivent être rechargées qu'avec l'appareil spécifié.** Un chargeur approprié pour un type de pile peut créer un risque d'incendie s'il est utilisé avec un autre type de pile.
- **Utiliser ce produit seulement avec la piles et le chargeurs indiqués dans le supplément de raccordement pour chargeur/outils/piles/appareil n° 987000-432.**
- **Lorsque vous utilisez un cordon d'alimentation, protéger le cordon d'alimentation pour que personne ne marche dessus ou ne le pince, en particulier au niveau des fiches, des prises de courant et des points où il sort de l'appareil.**
- **Ne pas exposer les outils électriques à l'eau ou l'humidité.** La pénétration d'eau dans ces outils accroît le risque de choc électrique.
- **Débrancher le produit ou retirer la pile ou lorsque l'outil n'est pas utilisé.**

## SÉCURITÉ PERSONNELLE

- **Ne pas travailler hors de portée. Toujours se tenir bien campé et en équilibre.** Une bonne tenue et un bon équilibre permettent de mieux contrôler le produit en cas de situation imprévue.
- **Ne pas utiliser le produit sur une échelle ou un support instable.** Une bonne tenue et un bon équilibre permettent de mieux contrôler le produit en cas de situation imprévue.

- **Empêcher les démarrages accidentels. S'assurer que la gâchette est en position d'arrêt avant de brancher l'outil à une source de courant, d'insérer la batterie, de le ramasser ou de le transporter.** Le fait de transporter un outil électrique en gardant le doigt sur la gâchette ou de mettre sous tension un outil électrique lorsque la gâchette est en position de marche favorise les accidents.
- **Garder le raccordement de la rallonge au sec et loin du sol pour réduire le risque d'électrocution.** Ne pas toucher la prise avec des mains mouillées.

## POMPE DE TRANSFERT UTILISATION ET ENTRETIEN

- **ATTENTION : Cette pompe a été testée pour être utilisée seulement avec de l'eau. Ne pas utiliser avec les produits suivants : essence, produits pétroliers, javellisants, solvants ou solutions acides, alcalines, inflammables ou de qualité industrielle.** Ces produits peuvent causer des blessures à l'utilisateur et endommager la pompe de manière permanente.
- **Ne pas utiliser le produit si le commutateur ne permet pas de le mettre en marche ou de l'arrêter.** Un produit qui ne peut pas être contrôlé par son commutateur est dangereux et doit être réparé.
- **Déconnecter le bloc-piles ou alimentation électrique avant d'effectuer des réglages, de changer d'accessoire ou de remiser l'outil.** Ces mesures de sécurité réduisent les risques de démarrage accidentel du produit.
- **Évacuer l'air et l'eau présents dans la pompe avant de procéder à l'entretien.**
- **Garder le produit et sa poignée secs, propres et exempts d'huile ou de graisse.** Toujours utiliser un chiffon propre pour le nettoyage. Ne jamais utiliser de liquide de freins, d'essence, de produits à base de pétrole ou de solvants forts pour nettoyer produit. Le respect de ces règles réduira les risques de perte de contrôle et d'endommagement du boîtier en plastique.
- **Ne nettoyer l'appareil qu'avec un chiffon sec.**
- **Ne pas installer l'appareil près de sources de chaleur telles que radiateurs, bouches de chaleurs, poêles ni d'autres appareils (y compris les amplificateurs) qui produisent de la chaleur.**

## UTILISATION ET ENTRETIEN DE LA PILE

- **Ne recharger qu'avec l'appareil spécifié par le fabricant.** Un chargeur approprié pour un type de pile peut créer un risque d'incendie s'il est utilisé avec un autre type de pile.
- **Utiliser exclusivement le bloc-pile spécifiquement indiqué pour l'outil.** L'usage de tout autre bloc peut créer un risque de blessures et d'incendie.
- **Lorsque le bloc-piles n'est pas en usage, le garder à l'écart d'articles tels qu'attaches trombones, pièces de monnaie, clous, vis ou autres petits objets**

# INSTRUCTIONS IMPORTANTES CONCERNANT LA SÉCURITÉ

métalliques risquant d'établir le contact entre les deux bornes. La mise en court-circuit des bornes de piles peut causer des étincelles, des brûlures ou un incendie.

- **En cas d'usage abusif, du liquide peut s'échapper des piles. Éviter tout contact avec ce liquide. En cas de contact accidentel, rincer immédiatement les parties atteintes avec de l'eau. En cas d'éclaboussure dans les yeux consulter un médecin.** Le liquide s'échappant des piles peut causer des irritations ou des brûlures.

## DÉPANNAGE

- **Le dépannage des produits doit être confié exclusivement à un personnel qualifié.** Les réparations ou entretiens effectués par des personnes non qualifiées présentent des risques de blessures.
- **Utiliser exclusivement des pièces identiques à celles d'origine pour les réparations. Se conformer aux instructions de la section Entretien de ce manuel.** L'usage de pièces non autorisées ou le non-respect des instructions peut présenter des risques de choc électrique ou de blessures.

## AVERTISSEMENTS DE SÉCURITÉ RELATIFS POMPE DE TRANSFERT HYBRIDE

- **Apprendre à connaître le produit. Lire attentivement le manuel d'utilisation. Apprendre les applications et les limites du produit, ainsi que les risques spécifiques relatifs à son utilisation.** Le respect de cette consigne réduira les risques d'incendie, de choc électrique et de blessures graves.
- **Ne pas laisser les enfants utiliser la pompe.** Ce n'est pas un jouet.
- **Ne pas faire fonctionner la pompe à vide.**
- **Ne pas soulever la pompe par le cordon d'alimentation ou par les tuyaux.**
- **Placer soigneusement le cordon d'alimentation lors de l'utilisation.** Un cordon d'alimentation gênant le déplacement représente un risque de chute.
- **Inspecter régulièrement la pompe, les tuyaux et le filtre d'admission.** S'assurer que les tuyaux et le filtre d'admission ne contiennent pas de boue, de sable ou autres débris. Déconnecter la pile ou débrancher le cordon d'alimentation avant d'inspecter la pompe.
- **Les outils fonctionnant sur piles n'ayant pas besoin d'être branchés sur une prise de courant, ils sont toujours en état de fonctionnement.** Tenir compte des dangers possibles lorsque l'produit n'est pas en usage et lors du remplacement des piles. Le respect de cette consigne réduira les risques d'incendie, de choc électrique et de blessures graves.
- **Ne pas placer les produits sans fil ou leurs piles à proximité de flammes ou d'une source de chaleur.** Ceci réduira les risques d'explosion et de blessures.
- **Ne pas écraser, faire tomber ou endommager le bloc de piles. Ne pas utiliser un bloc de piles ou un chargeur endommagé ou soumis à un choc violent.** Une pile endommagée risque d'exploser. Éliminer immédiatement toute pile endommagée, selon une méthode appropriée.
- **Les piles peuvent exploser en présence d'une source d'allumage, telle qu'une veilleuse.** Pour réduire les risques de blessures graves, ne jamais utiliser un appareil

sans fil, quel qu'il soit, en présence d'une flamme vive. En explosant, une pile peut projeter des débris et des produits chimiques. En cas d'exposition, rincer immédiatement les parties atteintes avec de l'eau.

- **Ne pas recharger un outil fonctionnant sur piles dans un endroit humide ou mouillé. Ne pas utiliser, remiser ou charger le bloc-piles ou produits dans des emplacements où la température est inférieure 10 °C (50 °F) à ou supérieure à 38 °C (100 °F).** Ne pas ranger l'outil à l'extérieur ou dans un véhicule.
- **Si le produit est utilisé de façon intensive ou sous des températures extrêmes, des fuites de pile peuvent se produire. En cas de contact du liquide avec la peau, rincer immédiatement la partie atteinte avec de l'eau savonneuse. En cas d'éclaboussure dans les yeux, les rincer à l'eau fraîche pendant au moins 10 minutes, puis contacter immédiatement un médecin.** Le respect de cette consigne réduira les risques de blessures graves.
- **Ne pas incinérer les piles même s'il est très endommagé.** Les piles peuvent exploser dans le feu.
- **Pour réduire les risques d'incendie et de choc électrique, ne pas utiliser de produit avec un dispositif de contrôle de vitesse à circuit solide.**
- **Pour réduire le risque de blessure et de chocs électriques, le produit ne doit pas être utilisé comme un jouet ou placé à portée des enfants.**
- **Pour réduire le risque de chocs électriques, ne pas exposer à l'eau ou à la pluie.**
- **Ne pas exposer le bloc-piles ou l'outil à un feu ou à des températures excessives.** Une exposition à un incendie ou à une température supérieure à 130 °C (265 °F) peut provoquer une explosion.
- **Conserver ces instructions.** Les consulter fréquemment et les utiliser pour instruire les autres utilisateurs éventuels. Si cet outil est prêté, il doit être accompagné de ces instructions.

# CARACTÉRISTIQUES ÉLECTRIQUES

## CONNEXIONS ÉLECTRIQUES

Il doit être branché uniquement sur **une alimentation 120 V, c.a. (courant résidentiel standard) 60 Hz**. Ne pas l'utiliser sur une source de courant continu (c.c.) en le reliant par le cordon d'alimentation. Une chute de tension importante causerait une perte de puissance et une surchauffe du moteur. Si l'produit ne fonctionne pas une fois branché, vérifier l'alimentation électrique.

## GFCI

Un disjoncteur de fuite à la terre doit être installé sur les circuits ou sorties à utiliser avec cet du produit. Des connecteurs avec un interrupteur de défaut à la terre sont disponibles et peuvent être utilisés pour satisfaire à cette mesure de sécurité.

## CORDONS PROLONGATEURS

Utiliser exclusivement des cordons prolongateurs à 3 fils doté d'une fiche à prise de terre branchés sur une prise triphasée compatible avec la fiche de l'outil. Lors de l'utilisation d'un outil électrique à grande distance d'une prise secteur, veiller à utiliser un cordon prolongateur d'une capacité suffisante pour supporter l'appel de courant de l'outil. Un cordon de capacité insuffisante causerait une baisse de la tension de ligne, entraînant une perte de puissance et une surchauffe. Se reporter au tableau ci-dessous pour déterminer le calibre minimum de fil requis pour un cordon donné. Utiliser exclusivement des cordons à gaine cylindrique homologués par Underwriter's Laboratories (UL).

Utiliser un cordon prolongateur spécialement conçu à cet effet. Ce type de cordon porte l'inscription « WA » ou « W » sur sa gaine.

Avant d'utiliser un cordon prolongateur, vérifier que ses fils ne sont ni détachés ni exposés et que son isolation n'est ni coupée, ni usée.

\*\*Intensité nominale (sur la plaquette signalétique de l'produit)

Longueur du cordon	Calibre de fil (A.W.G.)					
	0-2,0	2,1-3,4	3,5-5,0	5,1-7,0	7,1-12,0	12,1-16,0
25'	16	16	16	16	14	14
50'	16	16	16	14	14	12
100'	16	16	14	12	10	—

\*\*Utilisé sur circuit de calibre 12 – 20 A

NOTE : AWG = American Wire Gauge



### AVERTISSEMENT :

Maintenir le cordon prolongateur à l'écart de la zone de travail. Lors du travail avec un cordon électrique, placer le cordon de manière à ce qu'il ne risque pas de se prendre dans les pièces de bois, produits et autres obstacles. Ne pas prendre cette précaution peut entraîner des blessures graves.






### AVERTISSEMENT :

Vérifier l'état des cordons prolongateurs avant chaque utilisation. Remplacer immédiatement tout cordon endommagé. Ne jamais utiliser un produit dont le cordon d'alimentation est endommagé, car tout contact avec la partie endommagée pourrait causer un choc électrique et des blessures graves.







L'opérateur doit former un anneau d'écoulement avec le cordon du produit branché à la prise de courant de façon à prévenir l'infiltration d'eau dans la prise de courant ou sur la fiche. Cet anneau d'écoulement est la partie du cordon se trouvant sous le niveau de la prise de courant ou du connecteur, lorsqu'une rallonge est utilisée, préviendra le parcours de l'eau le long du cordon et empêchera son contact avec la prise de courant.

# SYMBOLES

Les termes de mise en garde suivants et leur signification ont pour but d'expliquer le degré de risques associé à l'utilisation de ce produit.

SYMBOLE	SIGNAL	SIGNIFICATION
	<b>DANGER :</b>	Indique une situation dangereuse qui, si elle n'est pas évitée, aura pour conséquences des blessures graves ou mortelles.
	<b>AVERTISSEMENT :</b>	Indique une situation dangereuse qui, si elle n'est pas évitée, pourrait entraîner des blessures graves ou mortelles.
	<b>ATTENTION :</b>	Indique une situation dangereuse qui, si elle n'est pas évitée, pourrait entraîner des blessures légères ou de gravité modérée.
	<b>AVIS :</b>	(Sans symbole d'alerte de sécurité) Indique les informations jugées importantes sans toutefois représenter un risque de blessure (ex. : messages concernant les dommages matériels).

Certains des symboles ci-dessous peuvent être utilisés sur produit. Veiller à les étudier et à apprendre leur signification. Une interprétation correcte de ces symboles permettra d'utiliser produit plus efficacement et de réduire les risques.

SYMBOLE	NOM	DÉSIGNATION / EXPLICATION
	Symbole d'alerte de sécurité	Indique un risque de blessure potentiel.
	Lire le manuel d'utilisation	Pour réduire les risques de blessures, l'utilisateur doit lire et veiller à bien comprendre le manuel d'utilisation avant d'utiliser ce produit.
	Avertissement concernant l'humidité	Ne pas exposer à la pluie ou l'humidité.
	Choc électrique	Pour réduire le risque d'électrocution ou de décharge électrique, garder la lampe éloignée de l'eau et ne pas l'utiliser lorsque le cordon d'alimentation est endommagé.
	Symbole de recyclage	Ce produit utilise les piles de lithium-ion (Li-ion). Les réglementations locales ou gouvernementales peuvent interdire de jeter les piles dans les ordures ménagères. Consulter les autorités locales compétentes pour les options de recyclage et/ou l'élimination.
V	Volts	Tension
A	Ampères	Intensité
Hz	Hertz	Fréquence (cycles par seconde)
W	Watt	Alimentation
min	Minutes	Temps
—	Courant continu	Type ou caractéristique du courant
~	Courant alternatif	Type de courant
	Outil de catégorie VI	Certification DOE

# ASSEMBLAGE

## DÉBALLAGE

Ce produit doit être assemblé.

- Avec précaution, sortir l'outil et les accessoires de la boîte. Tous les articles énumérés sous **Inclut** doivent se trouver dans l'emballage au moment de l'achat.

### **AVERTISSEMENT :**

Certaines pièces figurant dans cette section *Assemblage* n'ont pas été installées sur le produit par le fabricant et exigent une installation du client. Le fait d'utiliser un produit qui a été assemblé de façon inadéquate peut entraîner des blessures.

- Si des pièces manquent ou sont endommagées, appeler le 1-800-525-2579.

### **AVERTISSEMENT :**

Si des pièces manquent ou sont endommagées, ne pas utiliser cet outil avant qu'elles aient été remplacées. Le non-respect de cet avertissement pourrait entraîner des blessures graves.

### **AVERTISSEMENT :**

Ne pas essayer de modifier cet outil ou de créer des accessoires non recommandés pour l'outil. De telles altérations ou modifications sont considérées comme un usage abusif et peuvent créer des conditions dangereuses, risquant d'entraîner des blessures graves.

## RATTACHER LA POMPE À SON SOCLE

Voir la figure 1, page 10.

- Aligner les marques du dessous de la pompe avec les fentes du socle de la pompe.
- Faites glisser le corps de la pompe sur le socle jusqu'à ce qu'un déclic se fasse entendre.

## ASSEMBLER LE FILTRE D'ADMISSION ET LE TUYAU

Voir les figures 2 et 3, pages 10.

- Raccorder un tuyau de refoulement ou un boyau d'arrosage standard (non inclus) au côté refoulement de la pompe.
- Fixer le tuyau d'admission au filtre d'admission.
- Appliquer deux gouttes d'huile dans l'admission avant et après chaque utilisation.
- Ajouter de l'eau au côté aspiration de la pompe pour amorcer l'impulseur.
- Raccorder l'autre extrémité du tuyau d'admission au côté aspiration de la pompe.

**NOTE :** Ne pas activer la pompe si les tuyaux d'admission et de sortie ne sont pas adéquatement raccordés.



# UTILISATION

## **AVERTISSEMENT :**

Ne pas laisser la familiarité avec l'outil faire oublier la prudence. Ne pas oublier qu'une fraction de seconde d'inattention peut entraîner des blessures graves.

## **AVERTISSEMENT :**

Placez l'évacuation de l'eau loin de tout appareil électrique afin de réduire le risque d'électrocution ou de choc électrique.

## **AVERTISSEMENT :**

S'assurer que tous les raccords de boyau sont fixés correctement avant d'utiliser de pompe du transfert. De l'eau échappée ou des fuites peuvent rendre une surface glissante et représenter un risque de glissement ou de chute.

## **AVERTISSEMENT :**

N'utilisez aucun ajout ni accessoire non-recommandé par le fabricant de ce produit. L'utilisation de pièces et accessoires non recommandés peut entraîner des blessures graves.

## **AVERTISSEMENT :**

Toujours retirer du bloc-piles ou débranchez le cordon d'alimentation de l'outil au moment d'assembler des pièces, d'effectuer des réglages et de procéder au nettoyage, ou lorsque l'outil n'est pas utilisé. Le retrait du bloc-piles ou débranchez le cordon d'alimentation préviendra le fonctionnement accidentel et préviendra les blessures graves.

## APPLICATIONS

Cet outil ne doit être utilisé que pour les applications listées ci-dessous :

- Évacuer l'eau des zones inondées, des évier bouchés, des bassins d'eau, etc.

## **AVIS:**

Ce produit a été conçu pour être alimenté par un bloc-piles de 18 V One+™ de RYOBI™ (mode CC) ou une source d'alimentation électrique (mode CA). L'une des sources d'alimentation peut être utilisée soit par un bloc-piles approuvé ou par le cordon d'alimentation du produit, comme décrit dans ce manuel.

## INSTALLATION / RETRAIT DU BLOC-PILES

Voir la figure 4 et 6, page 11.

- Positionner le commutateur marche/arrêt en position arrêt.
- Pousser l'ergot vers l'extérieur pour ouvrir le couvercle du compartiment pile.
- Insérer le bloc-piles dans la prise pour piles.
- S'assurer que les languettes de chaque côté du bloc-piles s'enclenchent correctement et que ce dernier est fixé correctement avant de démarrer l'appareil.
- Fermer le couvercle du compartiment de piles et appuyer jusqu'à ce qu'il se ferme

Pour prendre connaissance des consignes de chargement, consulter le manuel d'utilisation des piles et des chargeurs.

## INSTALLATION / RETRAIT DU CORDON D'ALIMENTATION

Voir la figure 5 et 6, page 11.

## **AVERTISSEMENT :**

Ne pas acheminer le cordon sous les carpettes, tapis, coulisseaux, meubles ou appareils et de toujours l'éloigner des zones de circulation piétonnière pour éviter les risques de trébuchement.

- Pousser l'ergot vers l'extérieur pour ouvrir le couvercle du compartiment pile.
- Insérer l'embout femelle du cordon d'alimentation dans l'appareil comme indiqué jusqu'à ce qu'il soit correctement connecté.
- Raccorder la fiche du cordon d'alimentation dans une source d'énergie.
- S'assurer que le cordon d'alimentation est raccordé correctement avant d'allumer le produit.
- Pour le retirer, débrancher le cordon de sa source d'alimentation.
- Appuyer sur le bouton se trouvant sur l'embout femelle, puis retirer le cordon de l'appareil.

## MISE EN MARCHÉ ET ARRÊT POMPE DE TRANSFERT

Voir la figure 6, page 11.

- Appliquer deux gouttes d'huile dans l'admission avant et après chaque utilisation.
- Ajouter de l'eau au côté aspiration de la pompe pour amorcer l'impulseur.
- Raccorder l'outil à une source d'énergie CA ou CC.

# UTILISATION

## **AVERTISSEMENT :**

Les outils hybrides sont toujours en état de marche. Cependant, l'appareil doit toujours être en position d'arrêt, d'en avoir retiré le bloc-pile et d'avoir débranché le cordon d'alimentation dès la fin de son utilisation. Ne pas laisser la pompe sans surveillance. Ne pas respecter ces instructions de sécurité peut entraîner des blessures graves.

- Pour activer la pompe, positionner le commutateur marche/arrêt en position marche.




**NOTE :** La pompe est dotée de mécanismes de protection internes intégrés. Le clignotement du voyant DEL indique un mauvais fonctionnement. Consulter le diagramme des fonctions du voyant DEL pour identifier le signal d'erreur de fonctionnement de la pompe.

- Pour arrêter la pompe, positionner le commutateur marche/arrêt en position arrêt.

**NOTE :** La pompe pourrait s'activer pas lorsque connectée à une pile ou à un bloc d'alimentation alors que le commutateur marche/arrêt est en position marche. Pour activer la pompe, positionner le commutateur marche/arrêt en position arrêt, puis basculer vers la position marche.

## SIGNAUX DES TÉMOINS DEL DU POMPE DE TRANSFERT

Voir la figure 7, page 11.

MODE	TÉMOIN ROUGE	ACTION
<b>Sous tension</b>	 Marche	Prête à fonctionner.
<b>Fonctionnement à vide de la pompe</b>	 Flashing	Mettez l'interrupteur MARCHE/ARRÊT à la position « OFF » (Arrêt).
		Replacer le filtre de fonctionnement plus profondément sous l'eau.
<b>Surcharge</b>	 Palpitante	La pompe s'arrêtera. Positionner le commutateur marche/arrêt en position arrêt.
		Inspecter l'impulseur pour s'assurer que le problème n'est pas causé par un engorgement.

# ENTRETIEN

## AVERTISSEMENT :

Utiliser exclusivement des pièces d'origine pour les réparations. L'usage de toute autre pièce pourrait créer une situation dangereuse ou endommager l'produit.

## RANGEMENT DE LA POMPE DE TRANSFER

Ranger à l'intérieur dans un endroit sec et verrouillé, hors de la portée des enfants, d'enlever le bloc-pile et de débrancher le cordon d'alimentation. Garder éloigné des agents corrosifs comme les produits chimiques de jardinage et les sels fondants.

## ENTRETIEN GÉNÉRAL

Éviter d'utiliser des solvants pour le nettoyage des pièces en plastique. La plupart des matières plastiques peuvent être endommagées par divers types de solvants du commerce. Utiliser un chiffon propre pour éliminer la saleté, la poussière, l'huile, la graisse, etc.

## REEMPLACER L'IMPULSEUR ET LE JOINT TORIQUE EN O

Voir les figures 8 et 9, page 11.

- Enlever le bloc-piles ou débrancher la pompe de sa source d'alimentation.
- Localiser, puis enlever les six vis du couvercle de l'impulseur.
- Enlever le couvercle de l'impulseur, puis vérifier que le joint torique en O n'est pas endommagé ou usé. Remplacer le joint torique en O s'il s'avère endommagé ou usé.
- Retirer le vieil impulseur, puis insérer l'impulseur de remplacement le plus profondément possible dans la pompe en alignant la clé.
- S'assurer que le joint torique en O est bien positionné et replacer le couvercle de l'impulseur, la lettre « R » vers l'extérieur.
- Revisser les six vis. Consulter la section *Actionner et arrêter la pompe de transfert* et s'assurer qu'aucune fuite ne se déclare au niveau du couvercle de l'impulseur.

**NOTE : ILLUSTRATIONS COMMENÇANT SUR 10 DE PAGE APRÈS LA SECTION ESPAGNOL.**

# INSTRUCCIONES DE SEGURIDAD IMPORTANTES



## ¡ADVERTENCIA!

**LEA Y GUARDE ESTAS INSTRUCCIONES.** El incumplimiento de las instrucciones señaladas abajo puede causar descargas eléctricas, incendios y lesiones corporales serias.

**Guarde todas las advertencias e instrucciones para futuras consultas.** El término “producto” empleado en todos los avisos de advertencia enumerados abajo se refiere a las herramientas eléctricas de cordón (alámbricas) y de baterías (inalámbricas).

## GUARDE ESTAS INSTRUCCIONES ÁREA DE TRABAJO

- **Mantenga limpia y bien iluminada el área de trabajo.** Una mesa de trabajo mal despejada y una mala iluminación son causas comunes de accidentes.
- **No utilice producto en atmósferas explosivas, como las existentes alrededor de líquidos, gases y polvos inflamables.** Los productos generan chispas que pueden encender el polvo y los vapores inflamables.
- **Mantenga alejados a los niños y circunstantes al maniobrar un producto.** Toda distracción puede causar pérdida del control de la herramienta.

## SEGURIDAD ELÉCTRICA

- **Todo producto de baterías, ya sea de baterías integradas o de paquete de baterías separado, debe recargarse únicamente con el cargador especificado para las baterías.** Un cargador que puede ser adecuado para un tipo de baterías puede significar un riesgo de incendio si se emplea con otro tipo de baterías.
- **Usar este producto únicamente con la baterías y el cargador indicados en el folleto de la herramienta/aparato/paquete de baterías/cargador complementario 987000-432.**
- **Proteja el cordón eléctrico para evitar que se lo pise o pellizque, especialmente a la altura de las clavijas, de las tomas de corriente y del punto de conexión de salida del aparato.**
- **No esponga las herramientas eléctricas a la lluvia ni a condiciones de humedad.** La introducción de agua en un producto aumenta el riesgo de descargas eléctricas.
- **Desenchufe o desconecte el paquete de baterías cuando no se utilice la máquina.**

## SEGURIDAD PERSONAL

- **No estire el cuerpo para alcanzar mayor distancia. Mantenga una postura firme y buen equilibrio en todo momento.** La postura firme y el buen equilibrio permiten un mejor control de la producto en situaciones inesperadas.
- **No utilice la unidad al estar en una escalera o en un soporte inestable.** Una postura estable sobre una superficie sólida permite un mejor control de la producto en situaciones inesperadas.

- **Evite el encendido accidental. Asegúrese de que el interruptor esté en la posición de apagado antes de conectarlo a la toma de alimentación o a la batería, al levantar o mover la herramienta.** Portar herramientas eléctricas con el dedo en el interruptor, o conectarlas con el interruptor puesto, propicia accidentes.
- **Para reducir el riesgo de electrocución,** mantenga todas las conexiones secas y lejos del suelo. No toque el enchufe con las manos mojadas.

## BOMBA PARA TRANSFERIR USO Y CUIDADO

- **PRECAUCIÓN: La bomba ha sido evaluada para su uso con agua únicamente. No la use con ácidos, alcalinos, solventes, material inflamable, gasolina o productos derivados del petróleo, blanqueadores o soluciones de grado industrial.** Estos productos pueden causar lesiones físicas al operador y daños irreparables a la bomba.
- **No utilice los productos si el interruptor no enciende o no apaga.** Un producto que no puede controlarse con el interruptor es peligroso y debe repararse.
- **Desconecte el paquete de baterías o cordón antes de efectuar ajustes, de cambiar accesorios o de guardar el producto.** Con tales medidas preventivas de seguridad se reduce el riesgo de poner en marcha accidentalmente el producto.
- **Libere la presión y drene el agua de la bomba antes de realizar el mantenimiento.**
- **Mantenga el producto y el mango secos, limpios y sin aceite ni grasa.** Siempre utilice un paño limpio para la limpieza de la unidad. Nunca utilice fluidos para frenos, gasolina, productos a base de petróleo ni solventes fuertes para limpiar el producto. Con el cumplimiento de esta regla se reduce el riesgo de una pérdida de control y el deterioro del alojamiento de plástico de la unidad.
- **Limpie sólo con un paño seco.**
- **No instale cerca de fuentes de calor como, por ejemplo, radiadores, rejillas térmicas u otros aparatos que generen calor (entre ellos, amplificadores).**

## EMPLEO Y CUIDADO DE LA HERRAMIENTA DE BATERÍAS

- **Sólo cargue el paquete de baterías con el cargador especificado por el fabricante.** Un cargador adecuado para un tipo paquete de baterías puede significar un riesgo de incendio si se emplea con un paquete de baterías diferente.
- **Utilice las herramientas eléctricas sólo con los paquetes de baterías específicamente indicados.** El empleo de paquetes de baterías diferentes puede presentar un riesgo de incendio.
- **Cuando no esté utilizándose el paquete de baterías, manténgalo lejos de otros objetos metálicos, como clips, monedas, llaves, clavos, tornillos o otros objetos metálicos, pequeños que puedan establecer conexión entre ambas terminales.** Establecer una conexión directa entre las dos terminales de las baterías

# INSTRUCCIONES DE SEGURIDAD IMPORTANTES

puede causar quemaduras o incendios.

- **Si se maltratan las baterías, puede derramarse líquido de las mismas; evite todo contacto con éste. En caso de contacto, lávese con agua. Si el líquido llega a tocar los ojos, además busque atención médica.** El líquido de las baterías puede causar irritación y quemaduras.

## SERVICIO

- **El servicio del producto sólo debe ser efectuado por personal de reparación calificado.** Todo servicio

o mantenimiento efectuado por personal no calificado puede significar un riesgo de lesiones.

- **Al dar servicio a un producto, sólo utilice piezas de repuesto idénticas. Siga las instrucciones señaladas en la sección “Mantenimiento” de este manual.** El empleo de piezas no autorizadas o el incumplimiento de las instrucciones de mantenimiento puede significar un riesgo de descarga eléctrica o de lesiones.

# ADVERTENCIAS DE SEGURIDAD BOMBA PARA TRANSFERIR

- **Familiarícese con su producto eléctrico. Lea cuidadosamente el manual del operador. Aprenda sus usos y limitaciones, así como los posibles peligros específicos de este producto.** Con el cumplimiento de esta regla se reduce el riesgo de una descarga eléctrica, incendio o lesión seria.
- **No permita que los niños usen la luz de trabajo.** No es un juguete.
- **No permita que la bomba funcione en seco.**
- **No levante la bomba tirando del cable o de las mangueras.**
- **Ubique el cable de alimentación con cuidado durante el uso.** Si el cable de alimentación se interpone en su camino, corre el riesgo de tropezarse.
- **Inspeccione la bomba, las mangueras y el filtro de entrada periódicamente.** Asegúrese de que las mangueras y el filtro de entrada estén libres de lodo, arena y suciedad. Desconecte la batería o desenchufe el cable de alimentación antes de realizar la inspección.
- **Las herramientas de baterías no se necesitan conectar a una toma de corriente; por lo tanto, siempre están en condiciones de funcionamiento.** Esté consciente de los posibles peligros cuando no esté usando la herramienta de baterías o cuando esté cambiando los accesorios de la misma. Con el cumplimiento de esta regla se reduce el riesgo de una descarga eléctrica, incendio o lesión corporal seria.
- **No coloque productos de baterías ni las baterías mismas cerca del fuego o del calor.** De esta manera se reduce el riesgo de explosiones y de lesiones.
- **No aplaste, deje caer o dañe el paquete de baterías. No utilice el paquete de baterías ni el cargador si han sufrido una caída o un golpe contundente.** Las baterías dañadas pueden sufrir explosiones. Deseche de inmediato toda batería que haya sufrido una caída o que haya sido dañada.
- **Las baterías pueden explotar en presencia de una fuente de inflamación, como una luz guía.** Para reducir el riesgo de lesiones corporales serias, nunca use un producto inalámbrico en presencia de llamas expuestas. La explosión de una batería puede lanzar fragmentos y compuestos químicos. Si ha quedado expuesto a la explosión de una batería, lávese de inmediato con agua.
- **No cargue herramientas de baterías en lugares mojados o húmedos. No lo utilice, guarde o cargue la paquete de baterías o la unidad en lugares donde la temperatura sea inferior a 10 °C (50 °F) o superior a 38 °C (100 °F).** No guarde la herramienta a la intemperie ni en el interior de vehículos.
- **En condiciones extremas de uso o temperatura las baterías pueden emanar líquido. Si el líquido llega a tocarle la piel, lávese de inmediato con agua y jabón. Si le entra líquido en los ojos, láveselos con agua limpia por lo menos 10 minutos, y después busque de inmediato atención médica.** Con el cumplimiento de esta regla se reduce el riesgo de lesiones serias.
- **No incinere las baterías, incluso si está dañado seriamente.** Las baterías pueden estallar e incendiarse.
- **Para reducir el riesgo de incendio o descarga eléctrica, no utilice este producto con ningún dispositivo de control de velocidad de estado sólido.**
- **Para reducir el riesgo de lesión personal y descarga eléctrica, el producto no debe usarse o colocarse al alcance de niños pequeños.**
- **Para reducir el riesgo de descarga eléctrica, no lo exponga a la lluvia o al agua.**
- **No exponga el paquete de baterías o el artefacto al fuego o a temperaturas excesivas.** La exposición al fuego o a temperaturas sobre los 130 °C (265 °F) puede provocar explosiones.
- **Guarde estas instrucciones.** Consúltelas con frecuencia y empléelas para instruir a otras personas que puedan utilizar esta herramienta. Si presta a alguien esta herramienta, facilíttele también las instrucciones.



# ASPECTOS ELÉCTRICOS

## CONEXIÓN ELÉCTRICA

Este producto debe conectarse únicamente a un **suministro de corriente de 120 V, sólo corr. alt. (corriente normal para uso doméstico), 60 Hz.** No opere este producto con corriente directa (corr. cont.) a través del cordón eléctrico. Una caída considerable de voltaje causa una pérdida de potencia y el recalentamiento del motor. Si la producto no funciona al conectarla en una toma de corriente, vuelva a verificar el suministro de voltaje.

## GFCI

Los circuitos o tomacorrientes a los que se conecte este bomba deben estar protegidos con un interruptor de circuito por falla a tierra (GFCI). Hay receptáculos con la protección de un GFCI integrado, y pueden utilizarse para contar con esta característica de seguridad.

## CABLES DE EXTENSIÓN

Sólo utilice cables de extensión de 3 conductores con clavijas de tres puntas y contactos de tres polos que acepten la clavija del cable de la herramienta. Si la herramienta eléctrica debe situarse a una distancia importante de la toma de corriente, asegúrese de que el cable de extensión que utilice tenga el grosor suficiente para soportar el consumo de corriente de la herramienta. Un cable de extensión de un grueso insuficiente causará caída del voltaje de la línea, además de producir pérdida de potencia y recalentamiento del motor. Báse en la tabla que se presenta abajo para calcular el calibre mínimo requerido de los conductores del cable de extensión. Solamente deben utilizarse cordones con forro redondo registrados en Underwriter's Laboratories (UL).

Utilice un cordón de extensión fabricado para uso en el exterior. Este tipo de cordón lleva las letras "WA" o "W" en el forro.

Antes de utilizar un cordón de extensión, inspecciónelo para ver si tiene conductores flojos o expuestos y aislamiento cortado o gastado.

\*\*Amperaje (aparece en la placa de datos de la producto)

0-2,0 2,1-3,4 3,5-5,0 5,1-7,0 7,1-12,0 12,1-16,0

Longitud del cordón	Calibre conductores (A.W.G.)					
	16	16	16	16	14	14
25´	16	16	16	16	14	14
50´	16	16	16	14	14	12
100´	16	16	14	12	10	—

\*\*Se usa en los circuitos de calibre 12, de 20 amperes.

NOTA: AWG = Calibre conductores norma americana



### ADVERTENCIA:

Mantenga el cordón de extensión fuera del área de trabajo. Al trabajar con una producto eléctrica, coloque el cordón de tal manera que no pueda enredarse en la madera, productos ni en otras obstrucciones. La inobservancia de esta advertencia puede causar lesiones serias.



### ADVERTENCIA:




Inspeccione los cordones de extensión cada vez antes de usarlos. Si están dañados reemplácelos de inmediato. Nunca utilice la producto con un cordón dañado, ya que si toca la parte dañada puede producirse una descarga eléctrica, y las consecuentes lesiones serias.

Para evitar la posibilidad de que el enchufe del producto o el tomacorriente se mojen, el operador debe disponer un "lazo de goteo" en el cable que conecta el producto con el tomacorriente. El "lazo de goteo" es la parte del cable que está por debajo del nivel del tomacorriente, o del conector en el caso de usar un cable de extensión, y que evita que el agua se desplace a lo largo del cable y entre en contacto con el tomacorriente.









# SÍMBOLOS

Las siguientes palabras de señalización y sus significados tienen el objeto de explicar los niveles de riesgo relacionados con este producto.

SÍMBOLO	SEÑAL	SIGNIFICADO
	<b>PELIGRO:</b>	Indica una situación peligrosa, la cual, si no se evita, causará la muerte o lesiones serias.
	<b>ADVERTENCIA:</b>	Indica una situación peligrosa, la cual, si no se evita, podría causar la muerte o lesiones serias.
	<b>PRECAUCIÓN:</b>	Indica una situación peligrosa, la cual, si no se evita, podría causar lesiones menores o leves.
	<b>AVISO:</b>	(Sin el símbolo de alerta de seguridad) Indica la información que se considera importante, pero no relacionada con lesiones potenciales (por ej. en relación a daños a la propiedad).

Es posible que se empleen en este producto algunos de los siguientes símbolos. Le suplicamos estudiarlos y aprender su significado. Una correcta interpretación de estos símbolos le permitirá utilizar mejor y de manera más segura el producto.

SÍMBOLO	NOMBRE	DENOMINACIÓN/EXPLICACIÓN
	Alerta de seguridad	Indica un peligro posible de lesiones personales.
	Lea el manual del operador	Para reducir el riesgo de lesiones, el usuario debe leer y comprender el manual del operador antes de usar este producto.
	Alerta de condiciones húmedas	No exponga la unidad a la lluvia ni la use en lugares húmedos.
	Descarga eléctrica	Para reducir el riesgo de electrocución o descargas eléctricas, manténgalo alejado del agua y no lo utilice con cables dañados.
	Símbolo de reciclado	Este producto utiliza baterías de iones de litio (Li-ion). Es posible que algunas leyes municipales, estatales o federales prohíban desechar las baterías en la basura normal. Consulte a las autoridades reguladoras de desechos para obtener información en relación con las alternativas de reciclado y desecho disponibles.
V	Voltios	Voltaje
A	Amperios	Corriente
Hz	Hertz	Frecuencia (ciclos por segundo)
W	Watts	Potencia
min	Minutos	Tiempo
≡	Corriente continua	Tipo o característica de corriente
~	Corriente alterna	Tipo de corriente
	Herramienta Clase VI	Certificación DOE

# ARMADO

## DESEMPAQUETADO

Este producto requiere armarse.

- Extraiga cuidadosamente de la caja la herramienta y los accesorios. Todos los elementos enumerados en la sección **Incluye** se deben incluir al momento de la compra.

### **ADVERTENCIA:**

Las piezas incluidas en esta sección de *Armado* no vienen ensambladas en el producto de fábrica y requieren la instalación por parte del cliente. El uso de un producto que pueda haber sido armado de manera incorrecta podría provocar lesiones personales graves.

- Si hay alguna pieza dañada o faltante, appeler le 1-800-525-2579.

### **ADVERTENCIA:**

Si falta o está dañada alguna pieza, no utilice este producto sin haber reemplazado la pieza. Usar este producto con partes dañadas o faltantes puede causar lesiones serias al operador.

### **ADVERTENCIA:**

No intente modificar este producto ni hacer aditamentos ni accesorios no recomendados para el mismo. Cualquier alteración o modificación constituye maltrato el cual puede causar una condición peligrosa, y como consecuencia posibles lesiones corporales serias.

## ARME LA BOMBA EN LA BASE

*Vea la figura 1, página 10.*

- Alinee las lengüetas de la parte inferior de la bomba con las ranuras de la base de la bomba.
- Deslice el cuerpo de la bomba dentro de la base hasta que encastre en su lugar.

## ARME EL FILTRO DE ENTRADA Y LA MANGUERA

*Vea las figuras 2 y 3, página 10.*

- Conecte una manguera de descarga o una manguera de jardín estándar (no incluida) en el lado del tomacorriente de la bomba.
- Conecte la manguera de entrada en el filtro de entrada.
- Agregue 2 gotas de aceite en la entrada antes y después de cada uso.
- Agregue agua al lado de la entrada de agua de la bomba para cebar el impulsor.
- Conecte el otro extremo de la manguera de entrada al lado de entrada de agua de la bomba.

**NOTA:** No encienda la bomba sin las mangueras de entrada y salida firmemente conectadas.

# FUNCIONAMIENTO

## ADVERTENCIA:

No permita que su familiarización con las herramientas lo vuelva descuidado. Tenga presente que un descuido de un instante es suficiente para causar una lesión grave.

## ADVERTENCIA:

Mantenga la descarga de agua alejada de todos los dispositivos eléctricos para reducir el riesgo de electrocución o de descarga eléctrica.

## ADVERTENCIA:

Asegúrese de que todas las conexiones de la manguera estén fijas antes de usar el bomba para transferir. El agua derramada y las fugas pueden generar una superficie resbaladiza y crear un riesgo de resbalones y caídas.

## ADVERTENCIA:

No utilice ningún aditamento o accesorio no recomendado por el fabricante de esta producto. El empleo de aditamentos o accesorios no recomendados podría causar lesiones serias.

## ADVERTENCIA:

Siempre retire el paquete de baterías de la herramienta cuando esté ensamblando partes, realizando ajustes, limpiando o cuando ésta no esté en uso. Retirando el paquete de baterías se evita arrancar accidentalmente la unidad, lo cual puede causar lesiones serias.

## USOS

Esta herramienta puede emplearse para los fines enumerados abajo:

- Drene o extraiga el agua de áreas inundadas, sumideros atascados, lavatorios, etc.

## AVISO:

Este producto está diseñado para ser alimentado con un paquete de baterías RYOBI™ One+™ 18 V (modo CC) o mediante alimentación eléctrica (modo CA). Puede utilizarse cualquier fuente de alimentación instalando un paquete de baterías aprobado o un cable de alimentación dentro del producto, como se describe en este manual.

## INSTALACIÓN/DESMONTAR DEL PAQUETE DE BATERÍAS

Vea la figura 4 y 6, página 11.

- Coloque el interruptor de encendido/apagado en la posición de apagado.
- Presione hacia afuera de la lengüeta para abrir el pestillo de la cubierta de la batería.
- Inserte el paquete de batería en el puerto de batería.
- Asegúrese de que los pestillos situados en ambos lados del paquete de baterías se deslicen completamente en su lugar y de que el paquete quede bien fijo en el producto antes de empezar a utilizarlo.
- Cierre la cubierta del compartimiento de batería y presione hasta que encaje en su lugar y quede bien cerrada.

Para obtener instrucciones específicas de carga, lea el manual del operador que se incluye con el cargador y la batería.

## INSTALACIÓN/DESMONTAR DEL CABLE DE ALIMENTACIÓN

Vea la figura 5 y 6, página 11.

## ADVERTENCIA:

No pase el cable por debajo de alfombras, tapetes, correderas, muebles o aparatos eléctricos y siempre pase el cable lejos de áreas de tráfico para evitar riesgos de caídas.

- Presione hacia afuera de la lengüeta para abrir el pestillo de la cubierta de la batería.
- Inserte el extremo hembra del cable de alimentación dentro del producto como se muestra en la figura hasta que encastre en su lugar.
- Conecte el extremo macho del cable de alimentación a la fuente de alimentación.
- Asegúrese de que el cable de alimentación esté asegurado antes de comenzar con el funcionamiento.
- Para extraer el cable de alimentación, desenchufe el cable de la fuente de alimentación.
- Presione el botón de liberación en la parte superior del extremo hembra del cable y extráigalo de la herramienta.

## ENCENDIDO Y APAGADO DE BOMBA PARA TRANSFERIR

Vea la figura 6, página 11.

- Agregue 2 gotas de aceite en la entrada antes y después de cada uso.
- Agregue agua al lado de la entrada de agua de la bomba para cebar el impulsor.
- Conecte el producto a una fuente de alimentación CA o CC.

# FUNCIONAMIENTO

## ADVERTENCIA:

Las herramientas híbridas siempre están en condiciones de funcionamiento. Por lo tanto, la unidad siempre debe estar APAGADA, con el paquete de baterías extraído y el cable desconectado, cuando no está en uso. No deje la bomba para transferir encendida mientras desatendida. El incumplimiento de estas instrucciones podría causar lesiones personales de gravedad.

- Para encender la bomba, coloque el interruptor de encendido/apagado en la posición de encendido.



**NOTA:** La bomba cuenta funciones de protección interna integradas. El LED parpadeará indicando la función de error. Consulte el gráfico de funciones del LED para determinar el modo de error correcto de la bomba.

- Para detener la bomba, coloque el interruptor de encendido/apagado en la posición de apagado.

**NOTA:** Si la bomba está conectada a una batería a una fuente de alimentación mientras el interruptor de encendido/apagado está en la posición de encendido, la bomba arrancará no puede. Para encender la bomba, coloque el interruptor de encendido/apagado en la posición de apagado, y luego cambie a la posición de encendido.

## FUNCIONAMIENTO DE LOS DIODOS LUMINISCENTES EN LA BOMBA PARA EL TRANSFERIR

Vea la figura 7, página 11.

MODO	LUZ LED ROJA	ACCIÓN
<b>Encendido</b>	 Encendido	Lista para bombear.
<b>Bomba funciona en seco</b>	 Destell	Lleve el interruptor de encendido/apagado a la posición de apagado.
		Vuelva a colocar el filtro de entrada en el agua más profunda.
<b>Sobrecarga</b>	 Pulsación	Lleve el interruptor de encendido/apagado a la posición de apagado.
		Inspeccione el impulsor para asegurarse de que no haya obstrucciones que provoquen el problema.

# MANTENIMIENTO

## ADVERTENCIA:

Al dar servicio a la unidad, sólo utilice piezas de repuesto idénticas. El empleo de piezas diferentes podría causar un peligro o dañar el producto.

## ALMACENAMIENTO DE BOMBA PARA TRANSFERIR

Almacene en el interior, en un lugar seco y cerrado con llave, lejos del alcance de los niños con el paquete de baterías extraído y el cable desconectado. Evite que la unidad entre en contacto con agentes corrosivos como las sustancias químicas para el jardín y las sales para derretir el hielo.

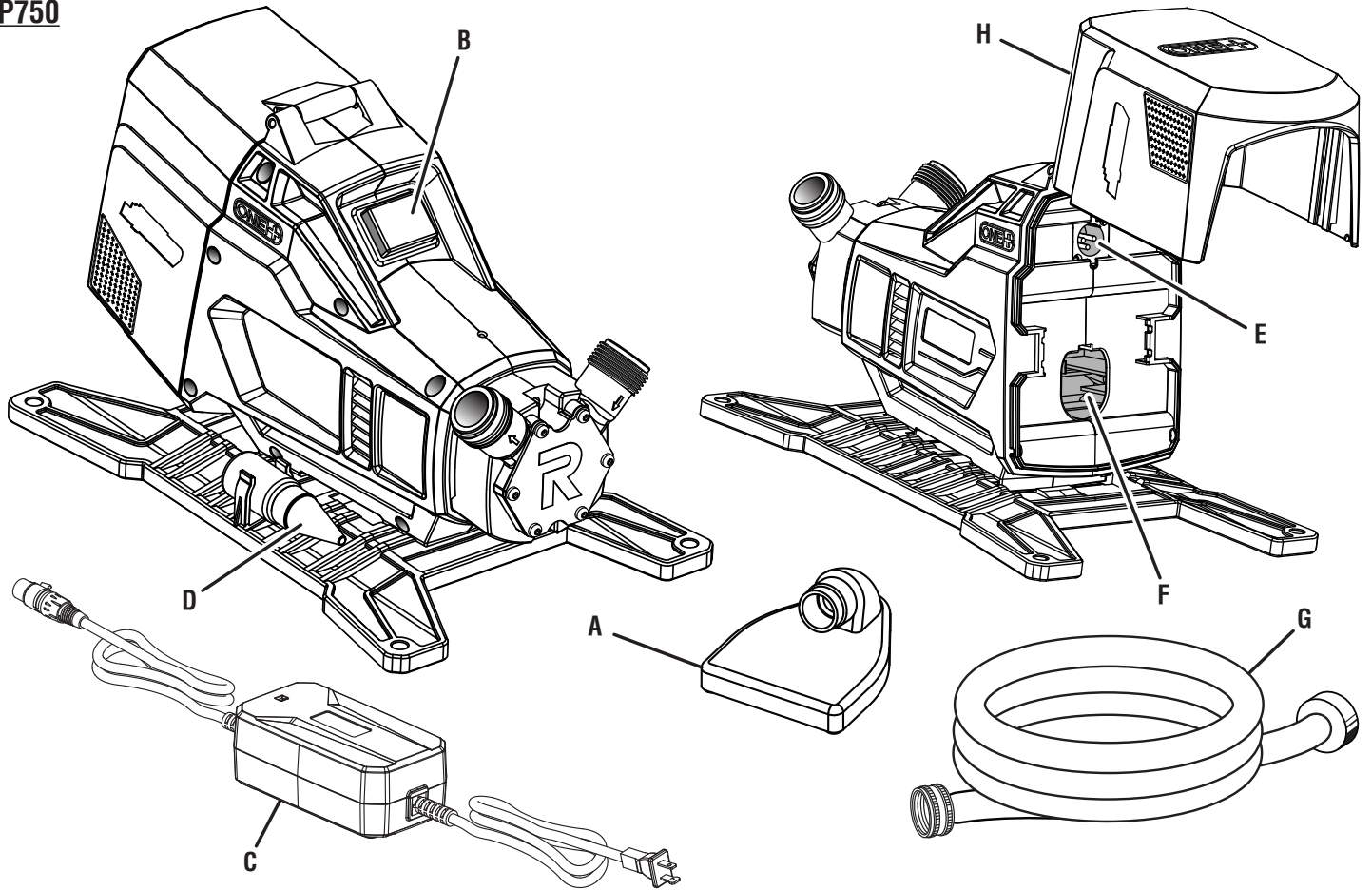
## MANTENIMIENTO GENERAL

Evite el empleo de solventes al limpiar piezas de plástico. La mayoría de los plásticos son susceptibles a diferentes tipos de solventes comerciales y pueden resultar dañados. Utilice paños limpios para eliminar la suciedad, el polvo, el aceite, la grasa, etc.

## REEMPLAZO DEL IMPULSOR Y LA JUNTA TÓRICA

*Vea las figuras 8 y 9, página 11.*

- Retire el paquete de baterías o desconecte la bomba del suministro de alimentación.
- Busque y retire los seis tornillos de la placa cobertora del impulsor.
- Retire la placa cobertora del impulsor e inspeccione la junta tórica en busca de daños o desgaste. Si la junta tórica está dañada o desgastada, reemplácela.
- Extraiga el impulsor viejo y reemplácelo con uno nuevo, alineando la llave, e insértelo en la bomba lo más profundo posible.
- Asegúrese de que la junta tórica esté correctamente asentada y vuelva a colocar la placa cobertora del impulsor con la "R" apuntando hacia afuera.
- Vuelva a colocar los seis tornillos. Consulte *Arranque/detención de la bomba para transferir* y revise para asegurarse de que la placa del impulsor no presente fugas.

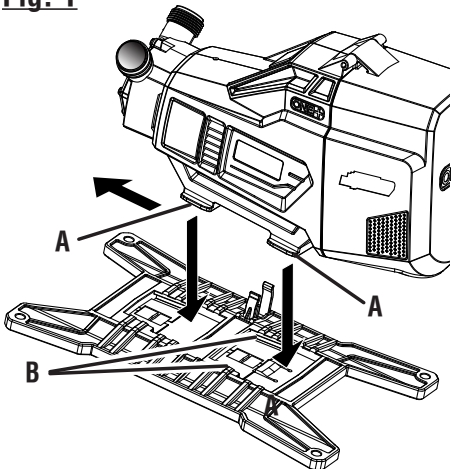


A - Intake filter (filtre d'admission, filtro de entrada)  
 B - ON/OFF switch (interrupteur marche/arrêt, interruptor de encendido/apagado)

C - Power supply (alimentation électrique, suministro de corriente)  
 D - Oil bottle (bouteille de huile, botella de aceite)  
 E - Receptacle (prise, receptáculo)

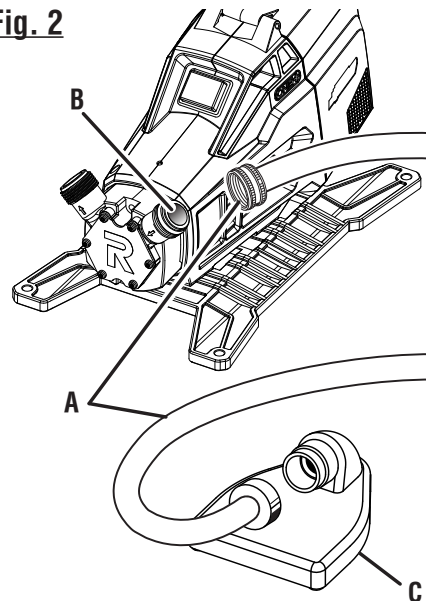
F - Battery port (logements de bloc-piles, puertos de baterías)  
 G - Intake hose (tuyau d'admission, manguera de entrada)  
 H - Battery cover (couverture de pile, tapa la batería)

**Fig. 1**



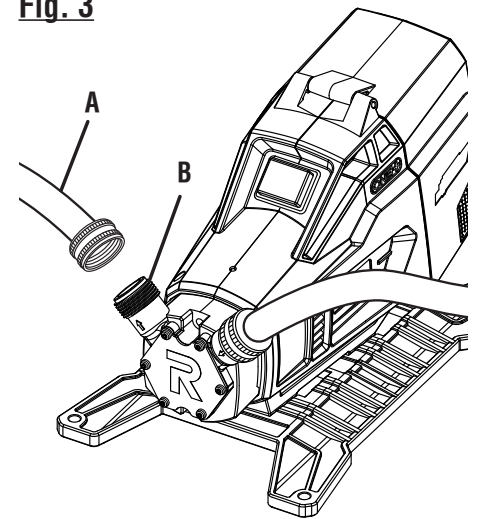
A - Tabs (languettes, orejetas)  
 B - Slots (raclettes, ranuras)

**Fig. 2**



A - Intake hose (entrée d'eau, entrada de agua)  
 B - Water inlet (entrée d'eau, entrada de agua)  
 C - Intake filter (filtre d'admission, filtro de entrada)

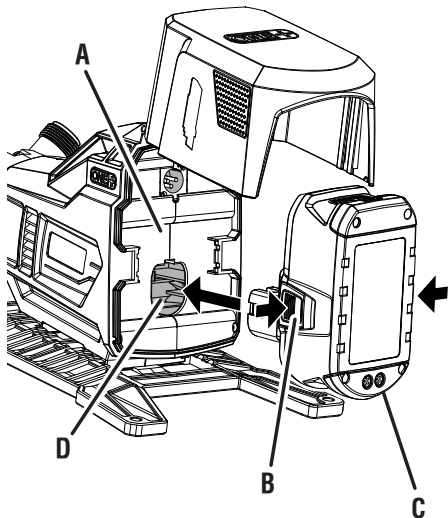
**Fig. 3**



A - Garden hose (not included) [boyau d'arrosage (non inclus), manguera de jardín (no incluida)]  
 B - Water outlet (sortie d'eau, salida de agua)

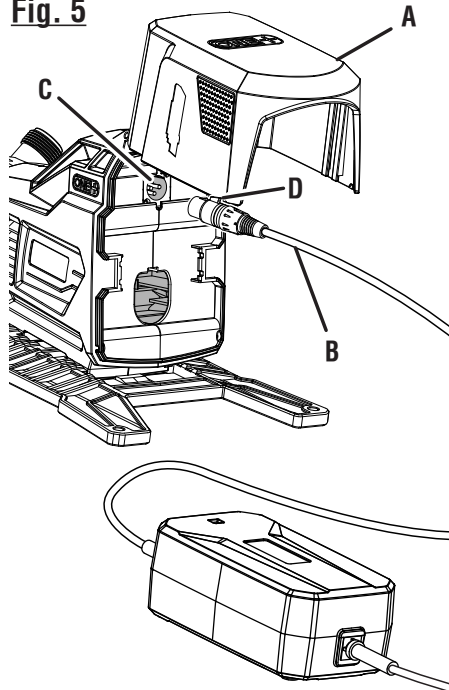


**Fig. 4**



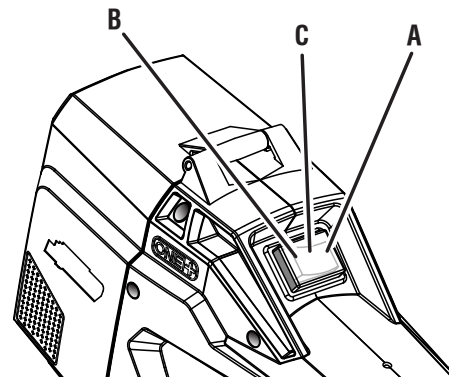
- A - Battery compartment (compartiment à piles, compartimiento de batería)
- B - Latches (latches, latches)
- C - Battery pack (bloc-piles, paquete de batería)
- D - Battery port (logements de bloc-piles, puertos de baterías)

**Fig. 5**



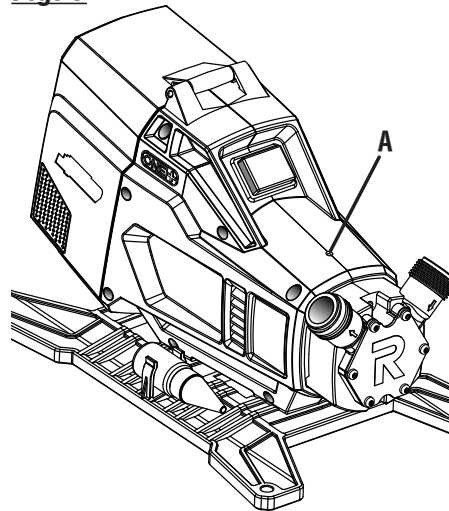
- A - Battery cover (couvercle de pile, tapa la batería)
- B - Power supply (female end) [alimentation électrique (femme restante), suministro de corriente (extremo hembra)]
- C - AC Receptacle (prise CA, receptáculo CA)
- D - Release button (relâchez le bouton, botón de afloje)

**Fig. 6**



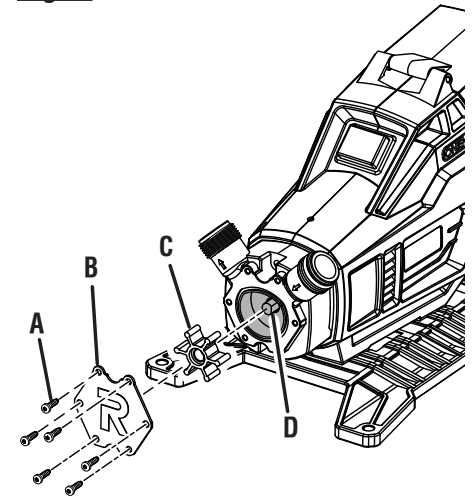
- A - ON position (position marche, posición encendido)
- B - OFF position (position d'arrêt, posición apagado)
- C - ON/OFF switch (interrupteur marche/arrêt, interruptor de encendido/apagado)

**Fig. 7**



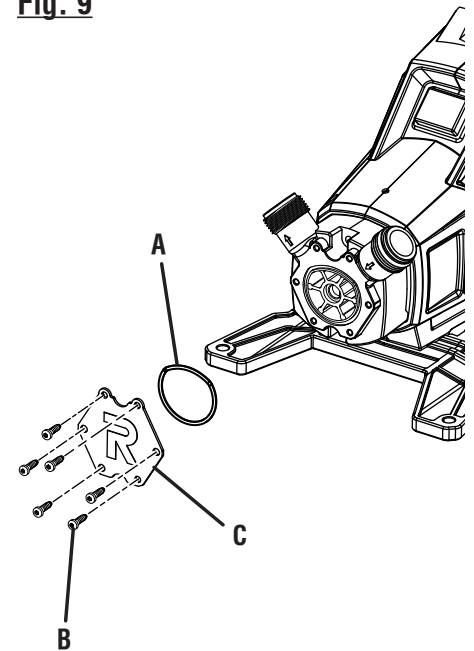
- A - LED (DEL, LED)

**Fig. 8**



- A - Screw (vis, tornillo)
- B - Cover plate (plaque de recouvrement, placa cobertora)
- C - Impeller (impulseur, impulsor)
- D - Shaft (arbre, eje)

**Fig. 9**



- A - O ring (joint torique, juntas tóricas)
- B - Screw (vis, tornillo)
- C - Cover plate (plaque de recouvrement, placa cobertora)



**OPERATOR'S MANUAL/18 VOLT HYBRID TRANSFER PUMP  
MANUEL D'UTILISATION/PUMPE DE TRANSFERT HYBRIDE DE 18 V  
MANUAL DEL OPERADOR/BOMBA PARA TRANSFERIR DE HÍBRIDA DE 18 V  
P750**

To request service, purchase replacement parts,  
locate an Authorized Service Center and obtain Customer or Technical Support:

Visit **www.ryobitools.com** or call **1-800-525-2579**

If any parts or accessories are damaged or missing,  
do not return this product to the store. Call **1-800-525-2579** for immediate service.

Please obtain your model and serial number from the product data plate.  
**This product is covered under a 3-year limited Warranty. Proof of purchase is required.**

MODEL NUMBER \_\_\_\_\_ SERIAL NUMBER \_\_\_\_\_

RYOBI is a trademark of Ryobi Limited and is used pursuant to a license granted by Ryobi Limited.

Pour faire une demande de réparations ou obtenir des pièces de rechange, trouver un  
Centre de réparations agréé pour obtenir un soutien technique ou le Service à la clientèle :

Visiter **www.ryobitools.com** ou en téléphonant au **1-800-525-2579**

Si des pièces ou accessoires sont manquantes ou endommagées, ne pas retourner  
ce produit au magasin. Appeler immédiatement au **1-800-525-2579** pour obtenir de l'aide.

Inscrire les numéros de modèle et de série inscrits sur la plaque d'identification du produit.  
**Ce produit est couvert par une garantie limitée de trois (3) ans. Une preuve d'achat est exigée.**

NUMÉRO DE MODÈLE \_\_\_\_\_ NUMÉRO DE SÉRIE \_\_\_\_\_

RYOBI est une marque de Ryobi Limited et est utilisée en vertu d'une licence accordée par Ryobi Limited.

Para obtener servicio, comprar piezas de repuesto, localizar un centro de servicio autorizado  
y obtener Servicio o Asistencia Técnica al Consumidor:

Visite **www.ryobitools.com** o llame al **1-800-525-2579**

Si hay alguna pieza ou accesorios dañada o faltante, no devuelva este producto a la tienda.  
Llame al **1-800-525-2579** para servicio técnico inmediato.

Obtenga su modelo y número de serie de la placa de datos del producto.  
**Este producto está cubierto con una garantía limitada de 3 años. Se solicita prueba de la compra.**

NÚMERO DE MODELO \_\_\_\_\_ NÚMERO DE SERIE \_\_\_\_\_

RYOBI es una marca de Ryobi Limited y se utiliza conforme a una licencia otorgada por Ryobi Limited.

**ONE WORLD TECHNOLOGIES, INC.**

P.O. Box 1288, Anderson, SC 29622 • Phone 1-800-525-2579  
États-Unis, Téléphone 1-800-525-2579 • USA, Teléfono 1-800-525-2579

**www.ryobitools.com**