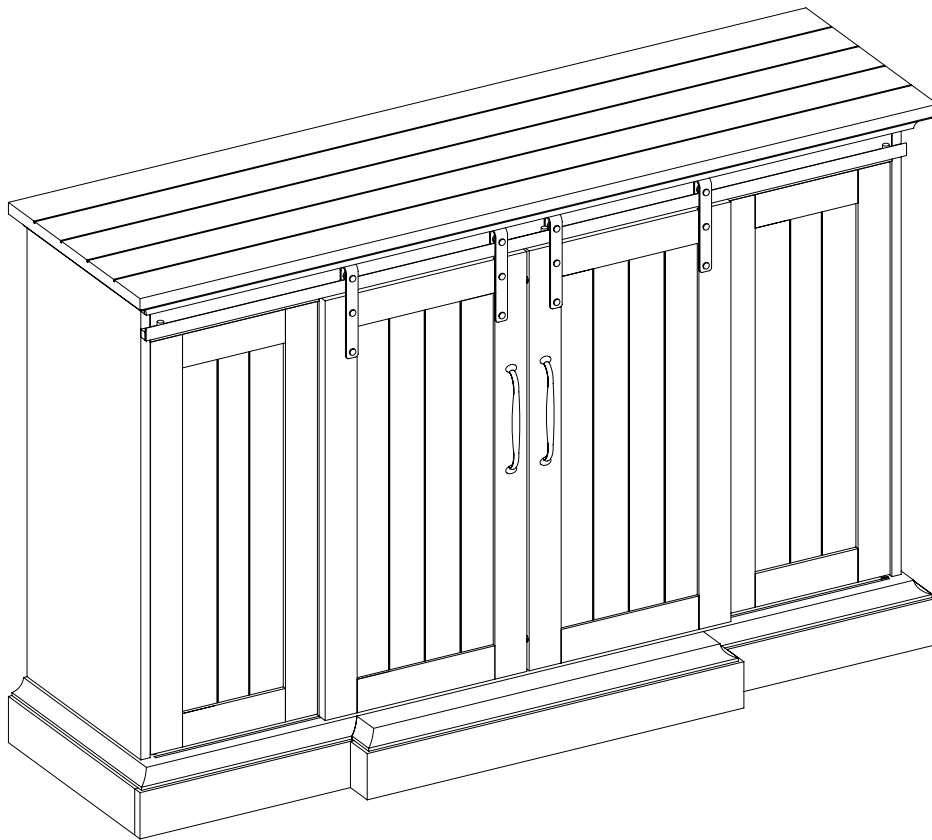


HOME DECORATORS COLLECTION®

1004151455/308824335/23MM90668-PG76
1004151425/308824355/23MM90668-PO98
1004151329/308824426/23MM90668-PD01

USE AND CARE GUIDE

CHASTAIN ELECTRIC FIREPLACE



Before you begin >>>

3D INTERACTIVE
INSTRUCTIONS
FOR THIS PRODUCT ARE IN

BITL.[®]
Intelligent Instructions



DOWNLOAD
THE FREE APP



QUESTIONS, PROBLEMS, MISSING PARTS? BEFORE RETURNING TO THE STORE,
CALL HOME DECORATORS COLLECTION CUSTOMER SERVICE
8 A.M. - 7 P.M., EST, MONDAY - FRIDAY, 9 A.M. - 6 P.M., EST, SATURDAY

1-800-986-3460

HOMEDEPOT.COM/HOMEDECORATORS

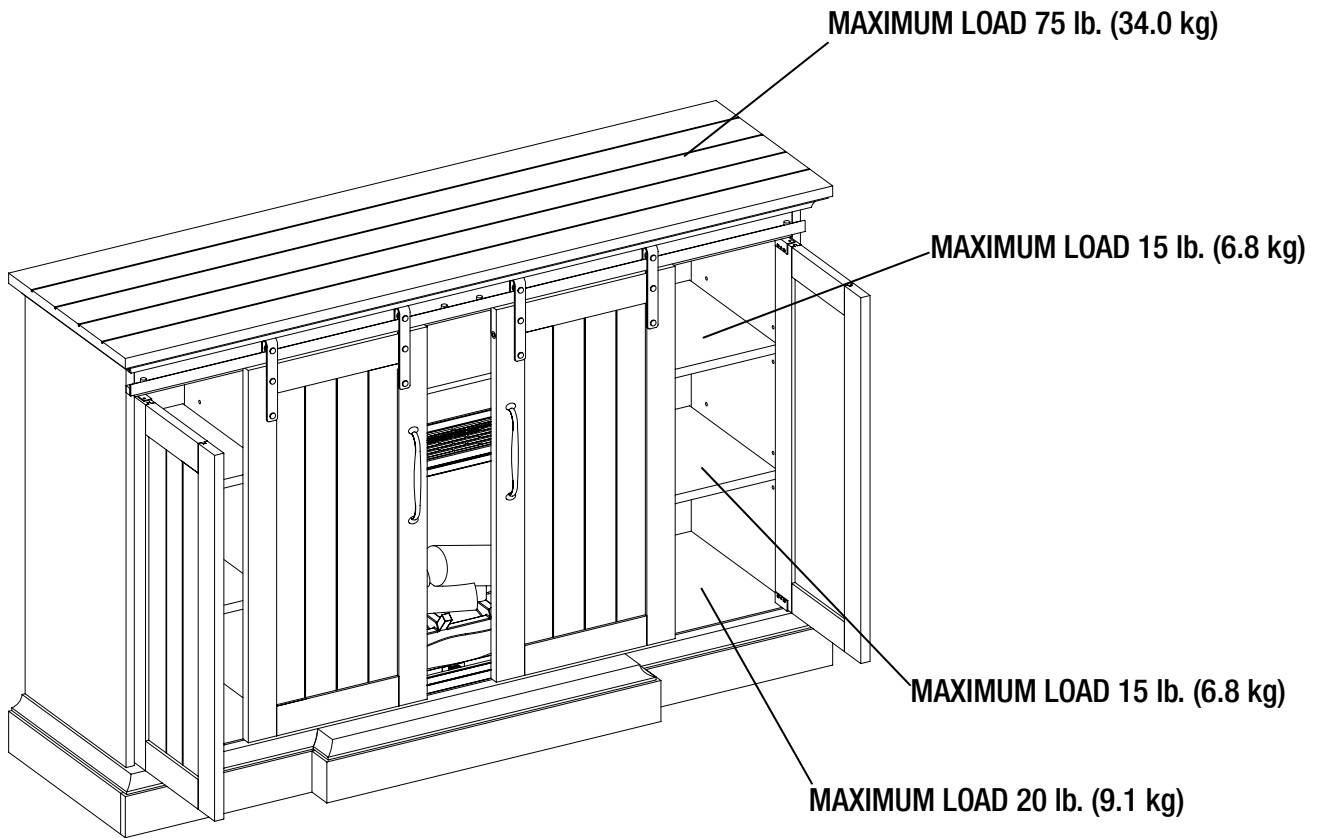
THANK YOU

We appreciate the trust and confidence you have placed in Home Decorators through the purchase of this electric fireplace. We strive to continually create quality products designed to enhance your home. Visit us online to see our full line of products available for your home improvement needs. Thank you for choosing Home Decorators!

Table of Contents

Maximum Load Warning.....	2	Package Contents.....	8
Safety Information.....	3	Assembly.....	9
Warranty.....	5	Operation.....	25
Pre-Assembly.....	6	FCC/IC Information.....	28
Hardware Included.....	6	Care & Cleaning.....	28
Product Specifications.....	7	Troubleshooting.....	29
Tools Required.....	7	Replacement Parts.....	31

Maximum Load Warning



CAUTION: This unit is intended for use only with the products and maximum weights indicated. Use with other products or products heavier than the maximum weights indicated may result in instability causing possible injury.



NOTE: Flat Panel TVs with base support should be placed squarely in the center of the stand with no overhang on any side.

Safety Information

Please read and understand this entire manual before attempting to assemble, operate or install the product. If you have any question regarding the product, please call customer service at 1-800-986-3460, 8 a.m.-7 p.m., EST, Monday-Friday, 9 a.m. - 6 p.m., EST, Saturday.

When using electrical appliances, basic precautions should always be followed to reduce the risk of fire, electrical shock, and injury to persons including the following:

1. Read all instructions before using this appliance.
2. If possible, always unplug this appliance when not in use.
3. Only a qualified service person should repair this product.
4. Do not use outdoors.
5. Do not cover the cord under the carpeting. Do not cover with throw rugs, runners or the like. Arrange the cord away from traffic areas and where it will not be tripped over.
6. To disconnect this appliance, turn the controls to the off position, and then remove the plug from the outlet.
7. Connect to properly grounded outlets only.
8. This appliance, when installed, must be electrically grounded in accordance with local codes or, in the absence of local codes, with the current CSA C22.1 Canadian Electrical Code. For U.S.A. installations, follow local codes and the National Electrical Code, ANSI/NFPA NO.70.
9. This appliance has hot and arcing or sparking parts inside. Do not use it in areas where gasoline, paint or flammable liquids are used or stored. This fireplace should not be used as a drying rack for clothing. Do not hang Christmas stockings or other decorations on or near this product.
10. There is a thermostat limiter inside the heater. When inner temperature overheating or abnormal heating occurs, the thermostat protective device will cut off the power supply to avoid damage to the fireplace or risk of fire.



DANGER: High temperatures may be generated under certain abnormal conditions. Do not partially or fully cover or obstruct the front of this heater.



WARNING: In order to avoid overheating, do not cover the heater.



WARNING: If the supply cord is damaged, it must be replaced by the manufacturer, its service agent or similarly qualified persons in order to avoid a hazard.



WARNING: Under no circumstances should this fireplace be modified. Parts that must be removed for servicing must be replaced prior to operating this fireplace again.



WARNING: This heater may include a visual alarm to warn that parts of the heater are getting excessively hot. If the alarm illuminates, immediately turn the heater off and inspect for any objects on or adjacent to the heater that may have blocked the airflow or otherwise caused high temperatures to have occurred. **DO NOT OPERATE THE HEATER WITH THE ALARM ILLUMINATING.**



WARNING: This appliance is not a toy. Supervise children playing near it.



WARNING: Use extreme caution when operating heater near children and the disabled.



WARNING: This heater is not intended for use in bathrooms, laundry areas and similar indoor locations. Never locate this appliance where it may fall into a bathtub or other water container.



WARNING: Do not insert or allow foreign objects to enter any ventilation or exhaust opening as this may cause an electric shock or fire, or damage the appliance.



WARNING: To prevent a possible fire, do not block air intakes or exhaust in any manner. Do not use on soft surfaces, like a bed, where the opening may become blocked.



WARNING: Use this appliance only as described in the manual. Any other use not recommended by the manufacturer may cause fire, electric shock or injury to persons.



WARNING: This appliance has hot and arcing or sparking parts inside. Do not use it in areas where gasoline, paint or flammable liquids are used or stored. This fireplace should not be used as a drying rack for clothing. Do not hang Christmas stockings or other decorations on or near this product.



CAUTION: Never leave the heater operating unattended. Extreme caution is necessary if unsupervised children or invalids are nearby.



CAUTION: Before assembly, carefully use scissors or a utility knife to cut and unwrap all parts. Make sure you do not discard the hardware.

Safety Information (continued)



NOTE: Use care in assembling your new fireplace. Take your time and use the hardware provided and a quality Phillips head screwdriver. Never overtighten bolts.

- Do not sit on any part of the mantel.
- It is recommended to work on a soft surface like a rug or to lay out a blanket to protect the furniture from getting scratched during the assembly process



NOTE: To avoid injury from unexpected starting or electrical shock, do not plug the power cord into a source of power during unpacking and assembly. The cord must remain unplugged whenever you are adjusting/assembling the fireplace.

If any part is missing or damaged, do not attempt to use or plug in the power cord until the missing or damaged part is correctly replaced. To avoid electric shock, use only identical replacement parts when servicing double-insulated tools.



NOTE:

**SAVE THESE
INSTRUCTIONS**

Warranty

1 Year Limited Warranty: The manufacturer warrants that your new Electric Fireplace is free from manufacturing and material defects for a period of one year from date of purchase, subject to the following conditions and limitations.

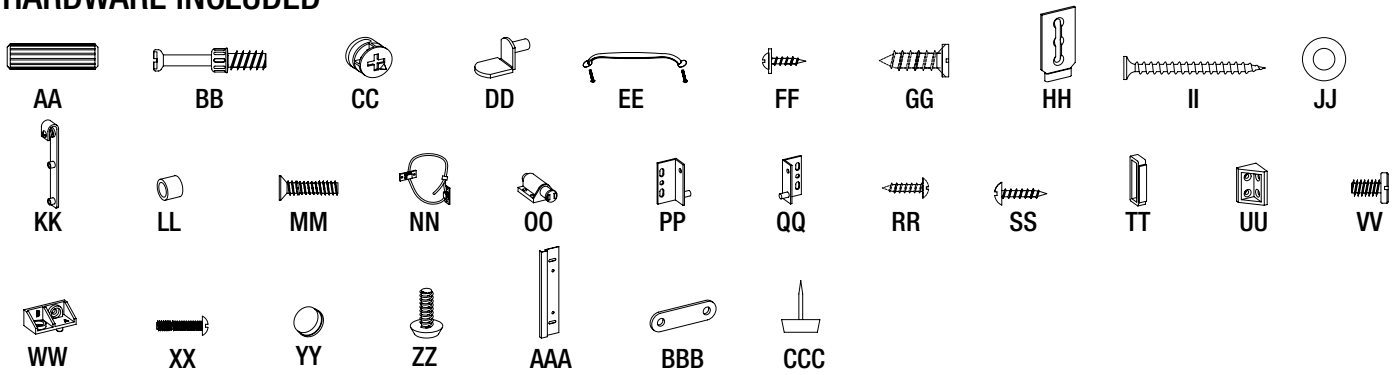
1. Install and operate this appliance in accordance with the installation and operating instructions furnished with the product at all times. Any unauthorized repair, alteration, willful abuse, accident, or misuse of the product shall nullify this warranty.
2. This warranty is non-transferable, and is made to the original owner, provided that the purchase was made through an authorized supplier of the product.
3. The warranty is limited to the repair or replacement of part(s) found to be defective in material or workmanship, provided that such part(s) have been subjected to normal conditions of use and service, after said defect is confirmed by the manufacturer's inspection.
4. The manufacturer may, at its discretion, fully discharge all obligations with respect to this warranty by refunding the wholesale price of the defective part(s).
5. Any installation, labor, construction, transportation, or other related costs/expenses arising from defective part(s), repair, replacement, or otherwise of same, will not be covered by this warranty, nor shall the manufacturer assume responsibility for same.
6. The owner/user assumes all other risks, if any, including the risk of any direct, indirect or consequential loss or damage arising out of the use, or inability to use the product, except as provided by law.
7. All other warranties – expressed or implied – with respect to the product, its components and accessories, or any obligations/liabilities on the part of the manufacturer are hereby expressly excluded.
8. The manufacturer neither assumes, nor authorizes any third party to assume on its behalf, any other liabilities with respect to the sale of the product.
9. The warranties as outlined within this document do not apply to non-accessories used in conjunction with the installation of this product.
10. This warranty gives you specific legal rights, and you may also have other rights which vary from state to state.

This warranty is void if:

- a. The fireplace is subjected to prolonged periods of dampness or condensation.
- b. There is any unauthorized alteration, willful abuse, accident, or misuse of the product.
- c. You do not have the original receipt of purchase.

Pre-Assembly

HARDWARE INCLUDED



Part	Description	Part Number	Quantity
AA	Wood Dowel	PH-DWLNTL001	41
BB	Cam Lock Screw	PH-KDBZNC002	25
CC	Cam Lock Connector	PH-KDCZNC001	25
DD	Shelf Pin	PH-SPNPCSPLB2	16
EE	Handle with Screws	Handle with Screws	2
FF	Screw- 3 x 12 mm	PH-SCRBLK007	40
GG	Screw- 4 x 16 mm	PH-SCRBLK019	14
HH	Slider	PH-BDGBLK001	2
II	Screw- 4 x 50 mm	PH-SCRBLK006	10
JJ	Flat Washer-16 mm	PH-WSRBLK002	12
KK	Rolling Door Hanger	PH-BDRBLK002	4
LL	Door Stopper	PH-BDSBLK003	2
MM	Bolt- 4 x 19 mm	Bolt- 4 x 19 mm	2
NN	Tipping Restraint Hardware	PH-BKTWHT003	2
OO	Magnetic Door Latch	PH-MTLBLK001	2
PP	Right Pin Hinge	PH-HNGBLK001	2
QQ	Left Pin Hinge	PH-HNGBLK001	2
RR	Screw- 3.5 x 15 mm	PH-SCRBLK015	8
SS	Screw- 3 x 15 mm	PH-SCRBLK010	12
TT	Door Bumper	PH-BMPBLK002	2
UU	Plastic Connector Block	PH-BKTBLK010	2
VV	Bolt- 6.3 x 12 mm	PH-BLTBLK002	28
WW	Plastic Connector Block	PH-LVRBLK001	10
XX	Bolt- 6.3 x 32 mm	PH-BLTBLK001	8
YY	Door Bumper	PH-BMPCLR001	2
ZZ	Leveler (pre-attached)	PH-LVRBLK001	4
AAA	Insert Mounting Bracket (pre-attached)	PH-BKTZNC001	2
BBB	Metal Plate (pre-attached)	PH-PLTBLK001	4
CCC	Floor Glide (pre-attached)	PH-GLDBRW001	4



NOTE: Hardware not shown to actual size.

Pre-Assembly (continued)

PRODUCT SPECIFICATIONS

VOLTAGE	120VAC, 60 Hz
AMPS	12.5 Amps
WATTS	1500 Watts

PLANNING ASSEMBLY

Before beginning assembly of product, make sure all parts are present. Compare parts with Hardware Included and Package Contents lists. If any part is missing or damaged, do not attempt to assemble, install or operate the product. Contact customer service for replacement parts.

Estimated Assembly Time: 90 Minutes

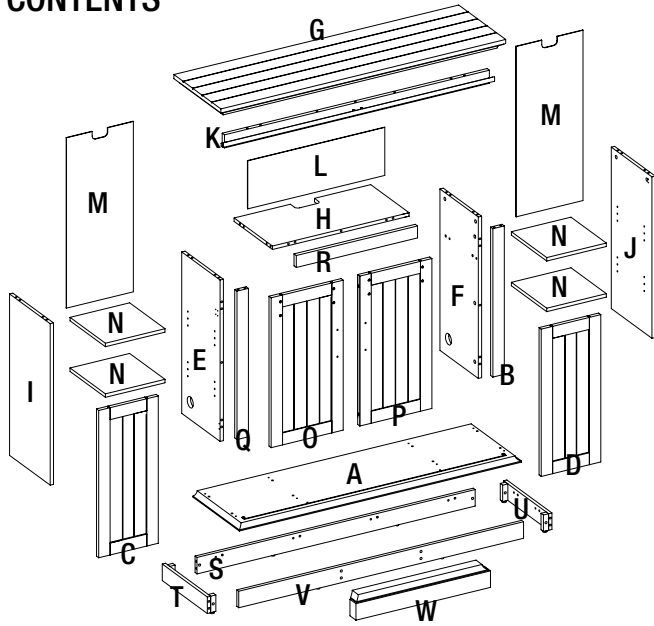
TOOLS REQUIRED

Phillips Screwdriver

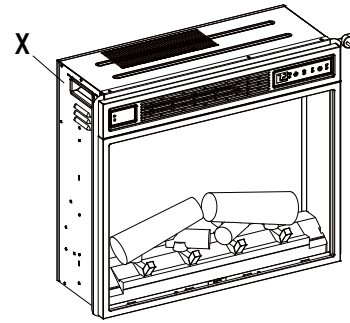


Pre-Assembly (continued)

PACKAGE CONTENTS



NOTE: All panels are labeled left and right as viewed from the front of unit.

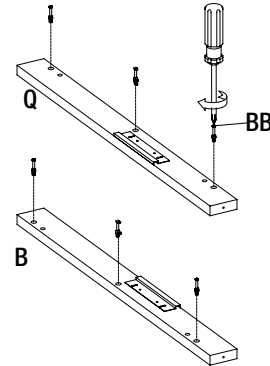


Part	Description	Quantity
A	Bottom Shelf	1
B	Right Surround Rail	1
C	Left Door	1
D	Right Door	1
E	Left Partition	1
F	Right Partition	1
G	Top Panel	1
H	Center Shelf	1
I	Left Side Panel	1
J	Right Side Panel	1
K	Top Front Rail	1
L	Upper Back Panel	1
M	Back Panel	1
N	Adjustable Shelf	4
O	Left Roller Door	1
P	Right Roller Door	1
Q	Left Surround Rail	1
R	Top Surround Rail	1
S	Base Back Rail	1
T	Base Left Side Rail	1
U	Base Right Side Rail	1
V	Base Front Rail	1
W	Decorative Base Panel	1
X	Fireplace Insert	1

Assembly

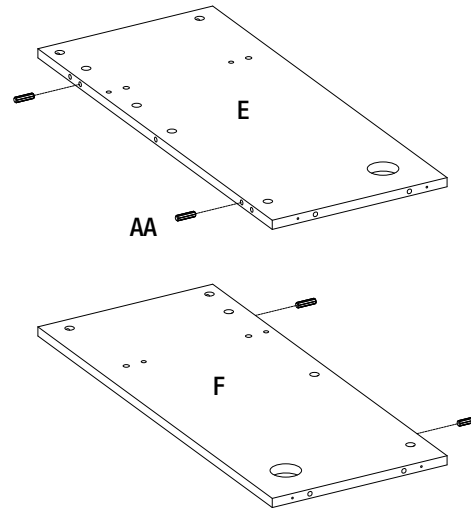
1 Preparing the decorative front panels

- Locate the Left Surround Rail (Q) and Right Surround Rail (B) and place on a flat surface.
- Insert Cam Lock Screws (BB) into the pre-drilled holes on both panels as shown.



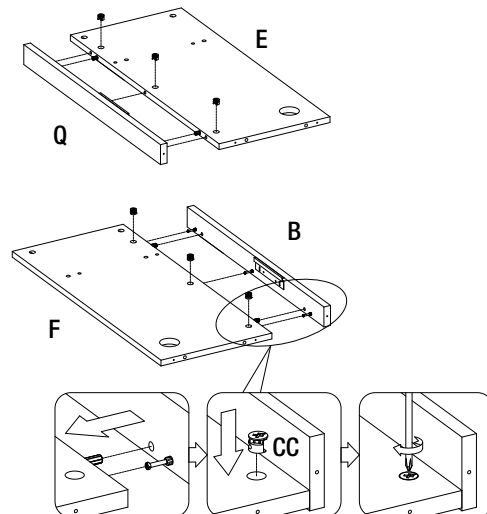
2 Preparing the center panels

- Place the Left Partition (E) and Right Partition (F) on a flat surface.
- Insert Wood Dowels (AA) into the pre-drilled holes along the edges as shown.



3 Attaching the decorative front panels

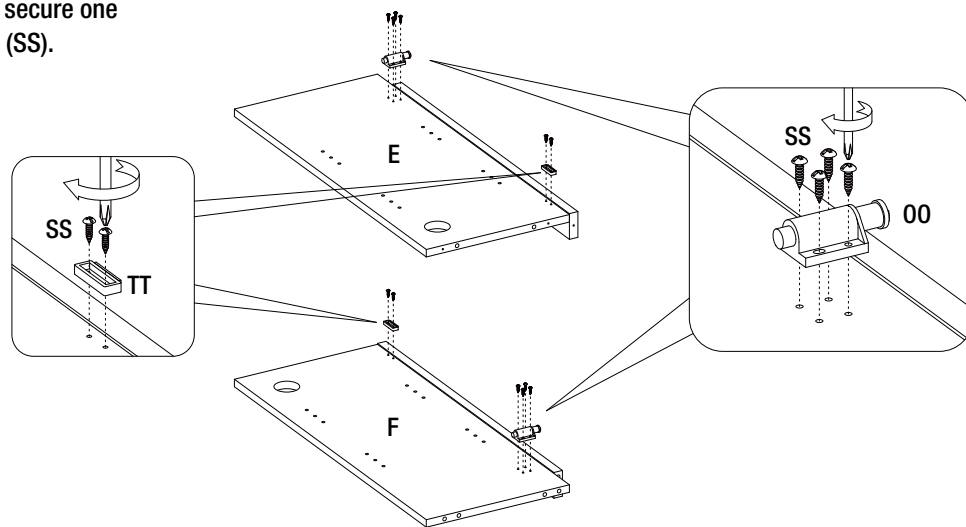
- Using the Left Surround Rail (Q) and the Left Partition (E), align the pre-installed dowels and cam lock screws into the holes.
- Secure by inserting Cam Lock Connectors (CC) into the pre-drilled holes as shown. Use a Phillips screwdriver to tighten all the Cam Lock Connectors (CC).
- Repeat with the Right Surround Rail (B) and Right Partition (F) until all Cam Lock Connectors (CC) have been secured.



Assembly (continued)

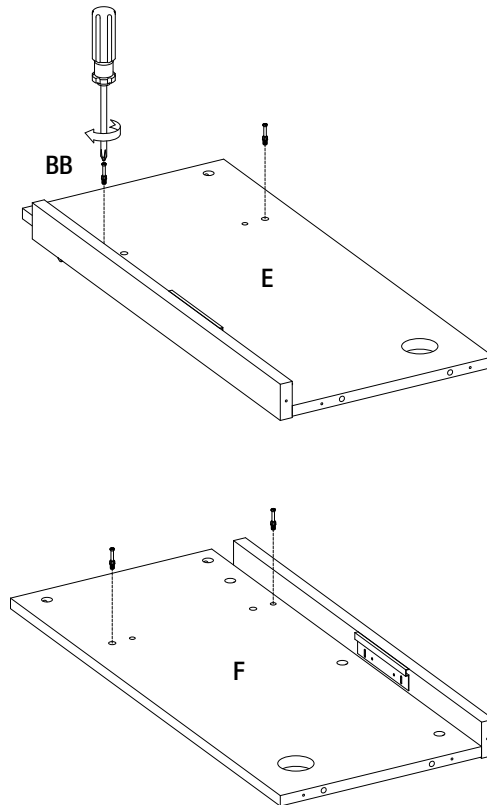
4 Attaching the door catch

- Locate the Left Partition (E) and the Right Partition (F) and place on a flat surface.
- Locate the Magnetic Door Catches (00) and secure them to each partition using Screws (SS) where indicated by the diagram.
- Locate the Door Bumpers (TT) and secure one to each partition using the Screws (SS).



5 Preparing the center panels

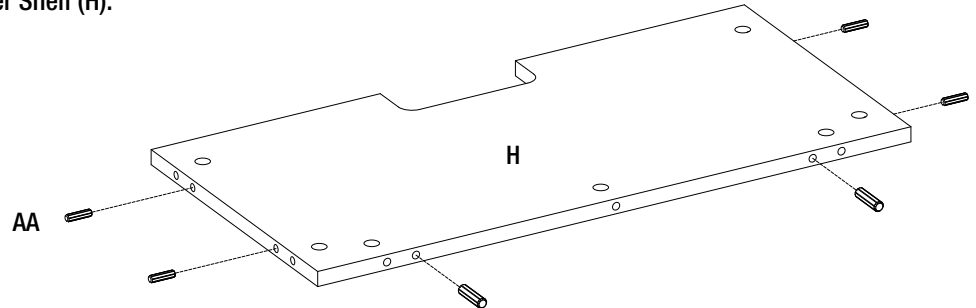
- Flip the right and left center panel assemblies from step 4 over.
- Insert Cam Lock Screws (BB) into the pre-drilled holes in each partition (E, F) and secure using a Phillips screwdriver. Repeat until all Cam Lock Screws (BB) have been installed as shown.



Assembly (continued)

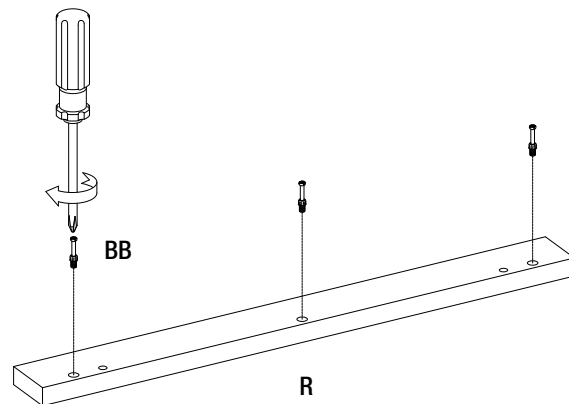
6 Preparing the center shelf

- Locate the Center Shelf (H).
- Insert Wood Dowels (AA) into the pre-drilled holes along the edges of the Center Shelf (H).



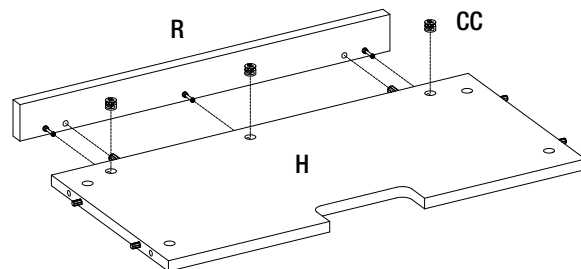
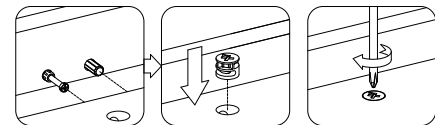
7 Preparing the center shelf

- Locate the Top Surround Rail (R).
- Insert Cam Lock Screws (BB) into the pre-drilled holes in the Top Surround Rail (R) and tighten using a Phillips screwdriver.



8 Assembling the center shelf

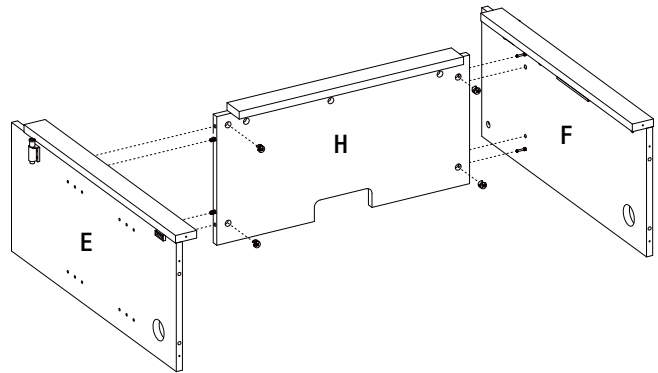
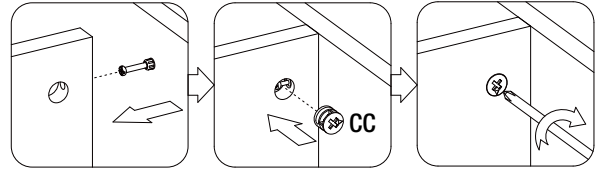
- Align the pre-installed dowels in the Center Shelf (H) with the holes in the Top Surround Rail (R) as shown.
- Insert the Cam Lock Connectors (CC) into the pre-drilled holes as shown.
- Secure using a Phillips screwdriver.



Assembly (continued)

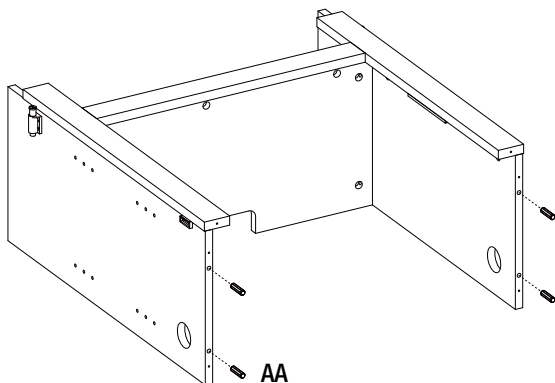
9 Preparing the center assembly

- Using the Left Partition assembly (E) and the Center Shelf assembly (H), align the previously installed dowels and cam lock screws into the holes.
- Secure by inserting Cam Lock Connectors (CC) into the pre-drilled holes as shown. Use a Phillips screwdriver to tighten all Cam Lock Connectors (CC).
- Repeat to secure the Right Partition assembly (F) onto the Center Shelf assembly (H).



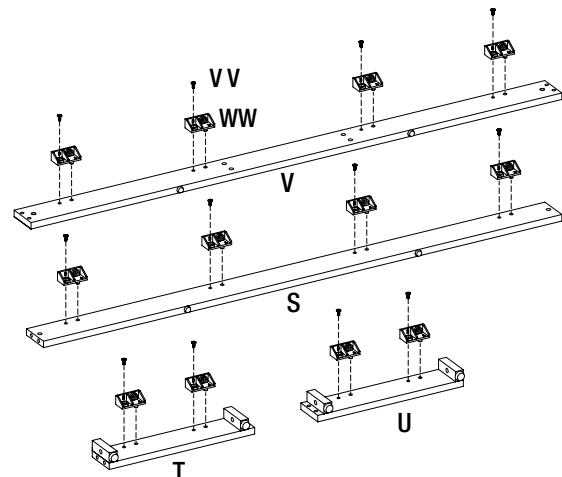
10 Preparing the center assembly

- Insert Wood Dowels (AA) into the pre-drilled holes along the edges of the main assembly.



11 Preparing the base panel

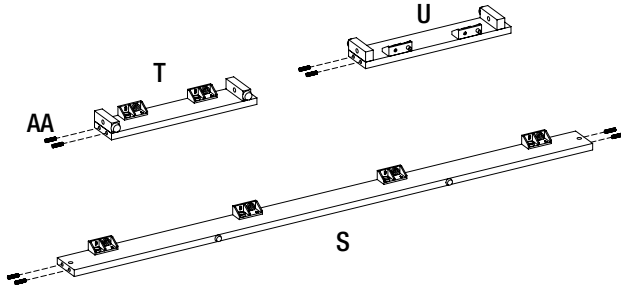
- Locate the Base Rails (S,T,U,V) and place on a flat surface.
- Insert Bolts (VV) through the 2-hole Plastic Connector Blocks (WW) on each rail as shown.
- Tighten with the Phillips screwdriver.



Assembly (continued)

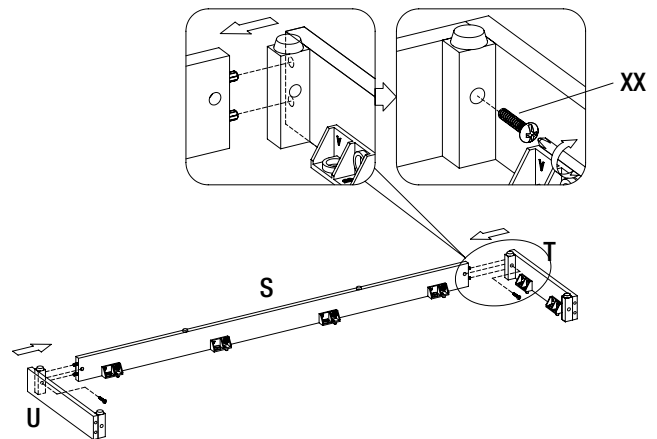
12 Preparing the back base panel

- Insert Wood Dowels (AA) into the pre-drilled holes along the edges of the Base Back Rail (S) and Left and Right Base Side Rails (T, U).



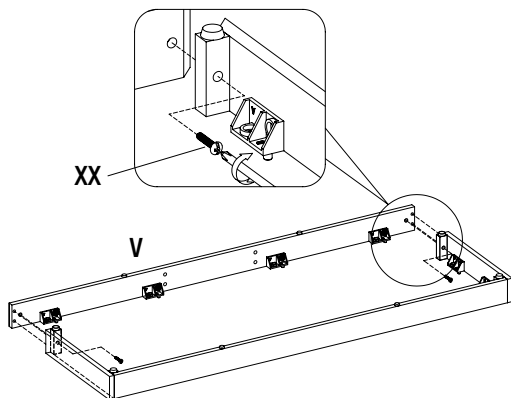
13 Connecting the base panels

- Align the Base Right Side Rail (U) with the Base Back Rail (S) and push together.
- Secure with the Bolts (XX) using a Phillips screwdriver.
- Repeat to attach the Base Left Side Rail (T).



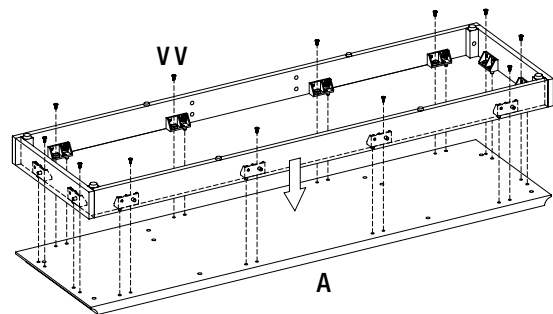
14 Attaching the front base panel

- Align the Front Base Rail (V) with the previously assembled base rails. Secure with Bolts (XX) using a Phillips screwdriver.



15 Attaching the base panels

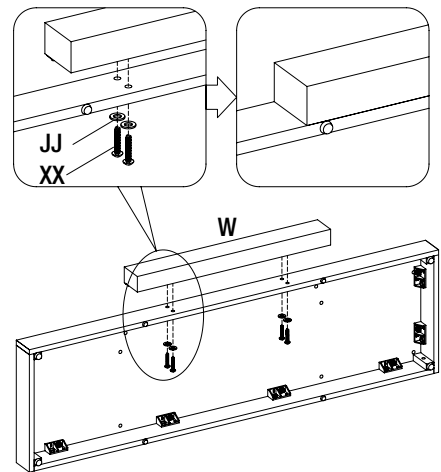
- Locate the Bottom Shelf (A).
- Attach the previously assembled base rails to the Bottom Shelf (A) by inserting Bolts (VV) through the 2-hole Plastic Connector Blocks. Tighten with a Phillips screwdriver.



Assembly (continued)

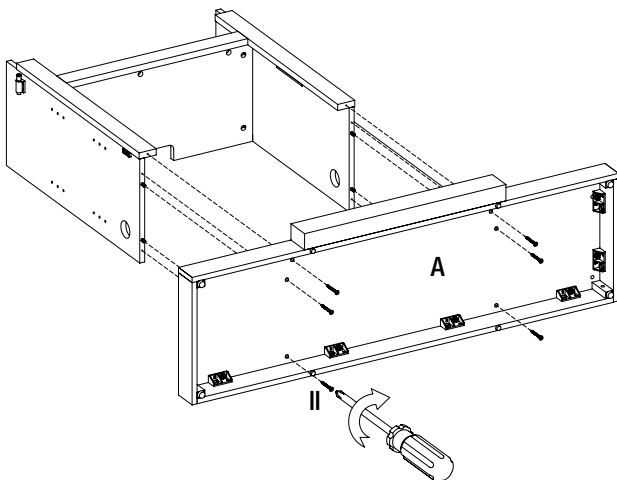
16 Attaching the decorative base panel

- Insert Bolts (XX) through the Flat Washers (JJ) to secure the Decorative Base Panel (W).
- Tighten using a Phillips screwdriver.



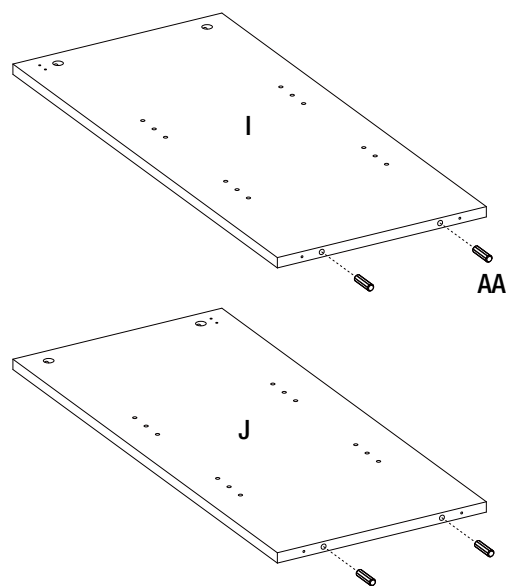
17 Attaching the base

- Align the Bottom Shelf (A) with the center assembly.
- Insert Screws (II) through the bottom of the Bottom Shelf (A) and securely tighten using a Phillips screwdriver.



18 Preparing the side panels

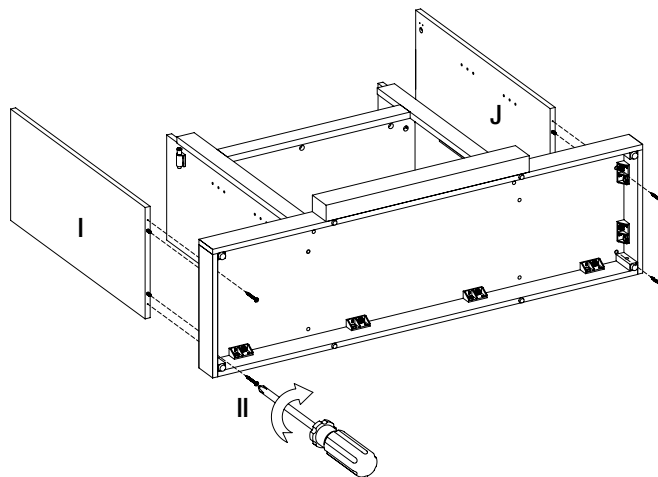
- Locate the Left Side Panel (I) and the Right Side Panel (J).
- Insert Wood Dowels (AA) into the pre-drilled holes in the Left Side Panel (I).
- Repeat for the Right Side Panel (J).



Assembly (continued)

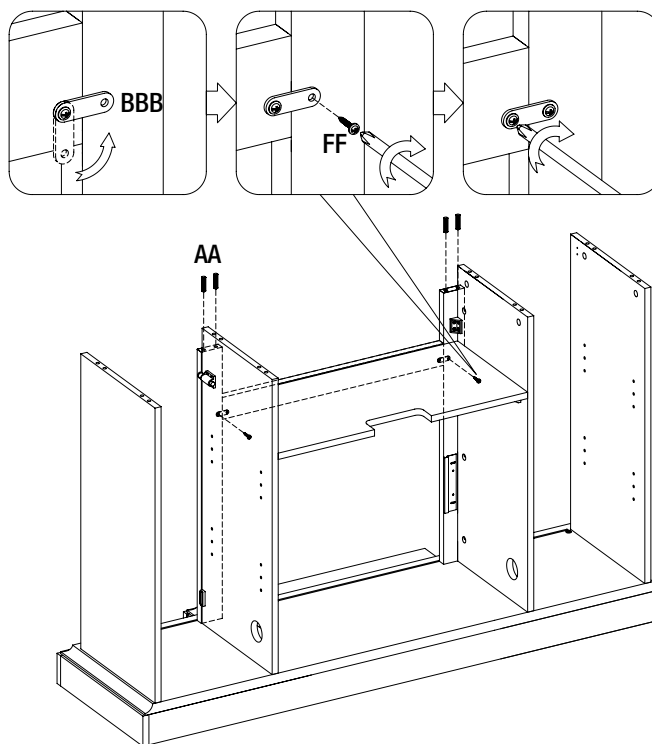
19 Securing the side panels

- Align the Left Side Panel (I) with the main assembly and secure together using Screws (II) and a Phillips screwdriver.
- Repeat to attach the Right Side Panel (J).



20 Securing the surround bracket

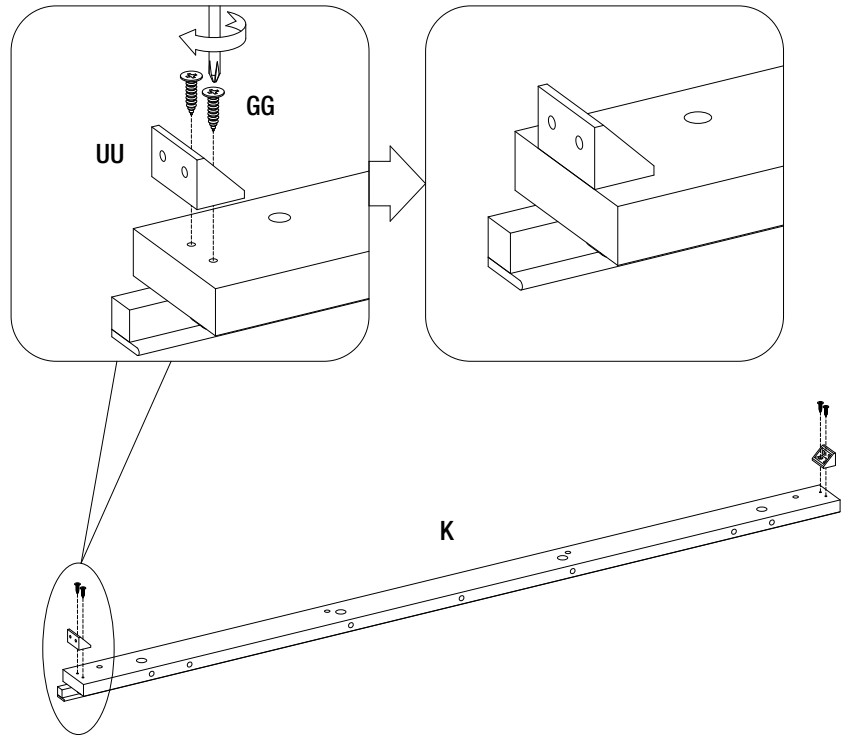
- Find the pre-attached Metal Plate (BBB) behind the surround and rotate it onto the back of the center shelf to span the joint.
- Secure the Metal Plate (BBB) with a Screw (FF).
- Repeat to secure the both sides.
- Insert Wood Dowels (AA) into the pre-drilled holes in the top edge of the main assembly as shown.



Assembly (continued)

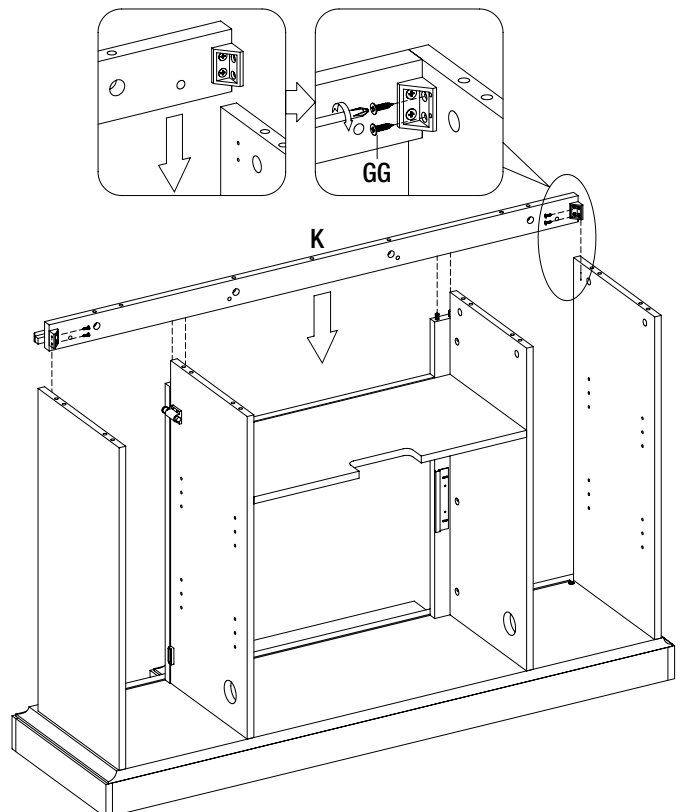
21 Preparing the top apron

- Locate the Top Front Rail (K) and place it on a flat surface.
- Insert the Screws (GG) through the Plastic Connector Blocks (UU) on each side of the Top Front Rail (K) as shown.



22 Installing the top apron

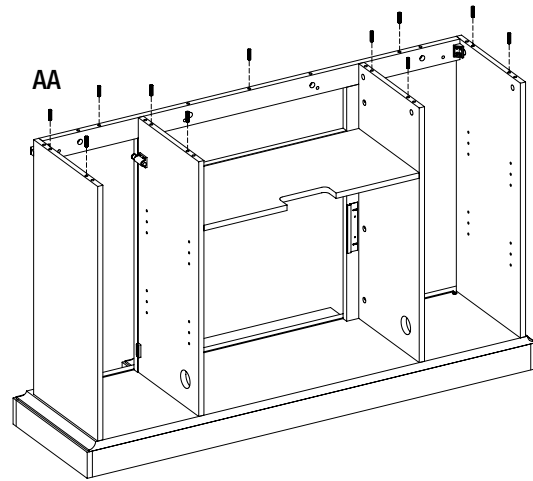
- Align the Top Front Rail (K) with the main assembly and slide it down onto the pre-installed wood dowels.
- Secure the plastic connector blocks to the Top Front Rail (K) and main assembly using Screws (GG) and a Phillips screwdriver.



Assembly (continued)

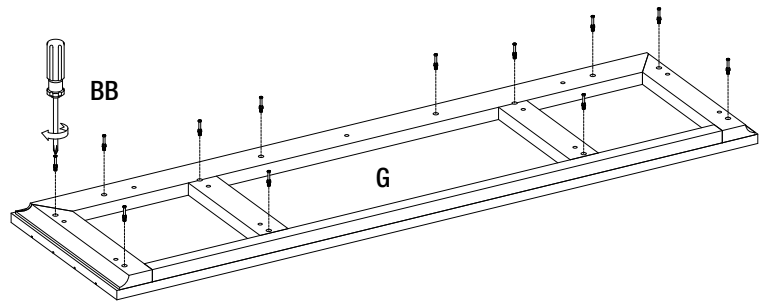
23 Preparing the top of the assembly

- Insert Wood Dowels (AA) into the pre-drilled holes in the top edges of the main assembly.



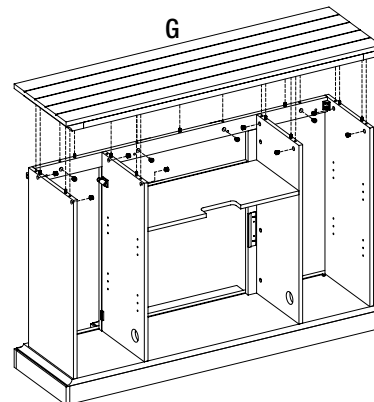
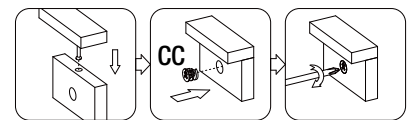
24 Preparing the top panel for assembly

- Locate the Top Panel (G) and place onto a flat surface.
- Insert the Cam Lock Screws (BB) into the pre-drilled holes in the bottom of the Top Panel (G).
- Tighten using a Phillips Screwdriver.



25 Attaching the top assembly

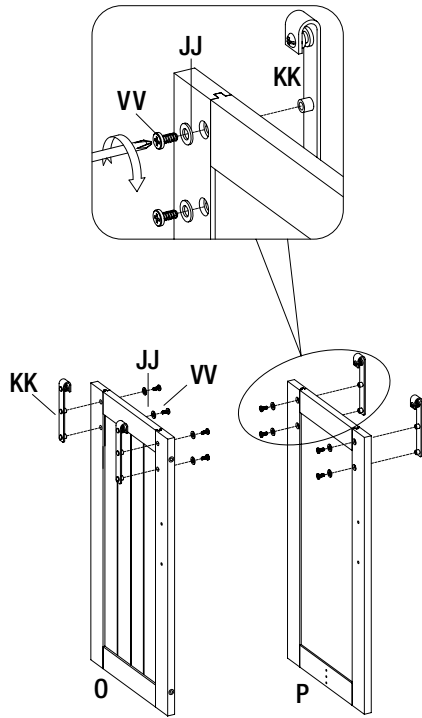
- Place the Top Panel (G) on top of the main assembly while aligning the previously installed cam lock screws and wood dowels.
- From underneath, insert Cam Lock Connectors (CC) into the pre-drilled holes.
- Tighten using a Phillips Screwdriver.



Assembly (continued)

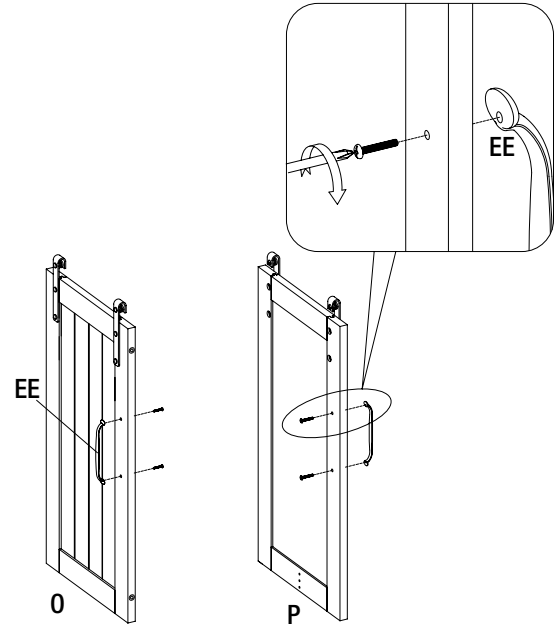
26 Attaching the rolling door hanger

- Locate the Left and Right Rolling Doors (O,P).
- Place the Rolling Door Hangers (KK) on the outside of the Left Roller Door (O).
- Insert Bolts (VV) with Flat Washers (JJ) into the pre-drilled holes. Tighten using a Phillips Screwdriver.
- Repeat for the Right Roller Door (P).



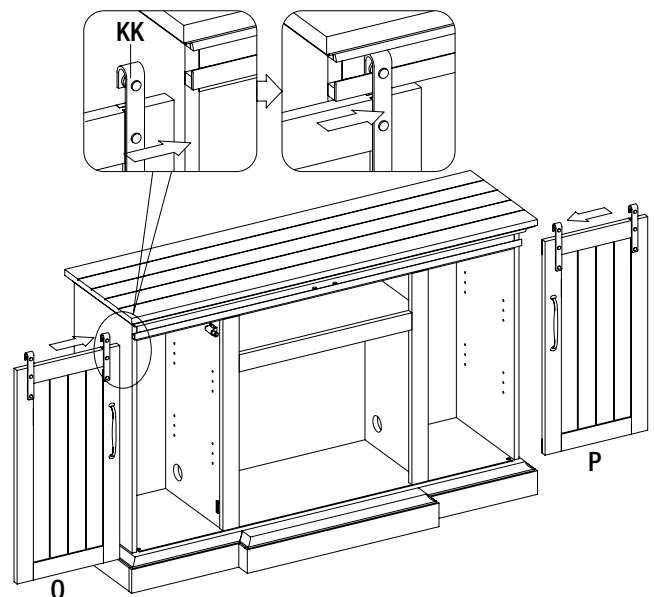
27 Attaching the handles

- Remove the pre-assembled screws from the Handles (EE), then attach to the Left Roller Door (O).
- Repeat for the Right Roller Door (P).



28 Attaching the sliding doors

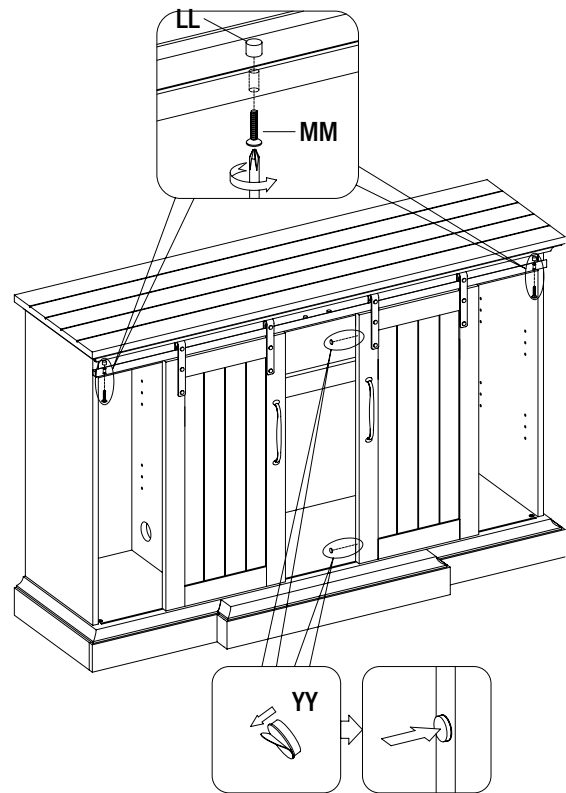
- Align the Left Roller Door (O) with the roller track.
- With the Rolling Door Hanger (KK) latched onto the roller track, push the Left Roller Door (O) to the right.
- Repeat to attach the Right Roller Door (P).



Assembly (continued)

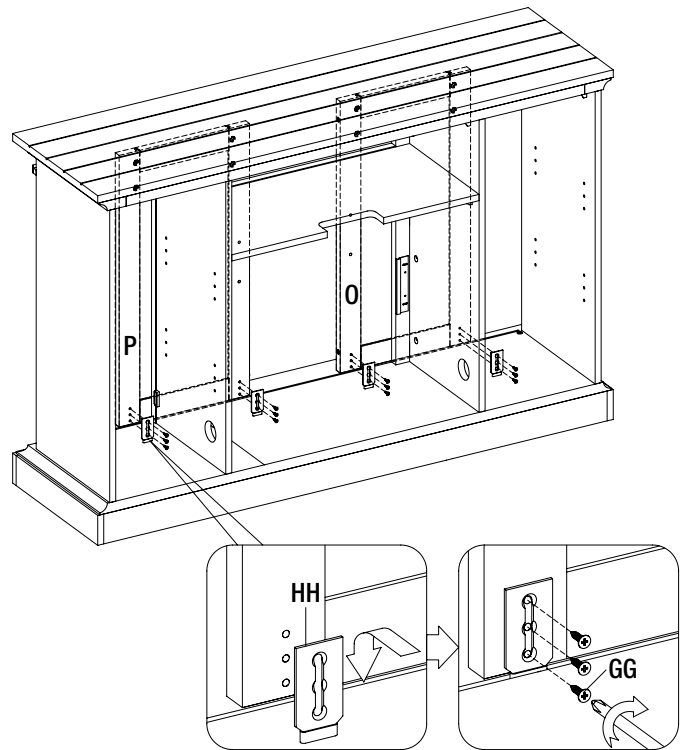
29 Attaching the door stopper

- Insert the Bolts (MM) through the roller track to secure the Door Stoppers (LL).
- Place the Door Bumpers (YY) on the inner edge of each door as indicated. Simply pull off the adhesive and stick.



30 Attaching the track guide

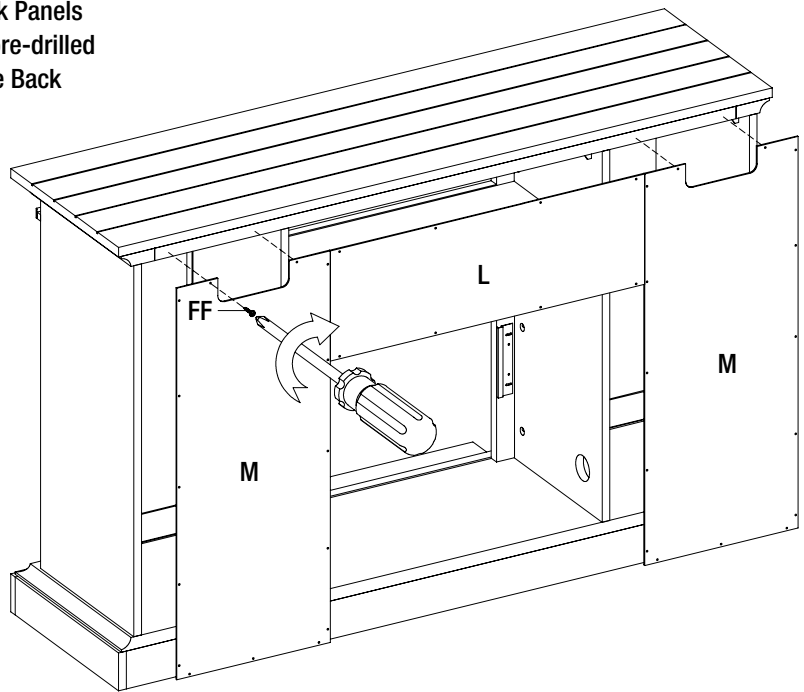
- Insert Screws (GG) through the Sliders (HH) and into the pre-drilled holes into each Roller Door (O, P).



Assembly (continued)

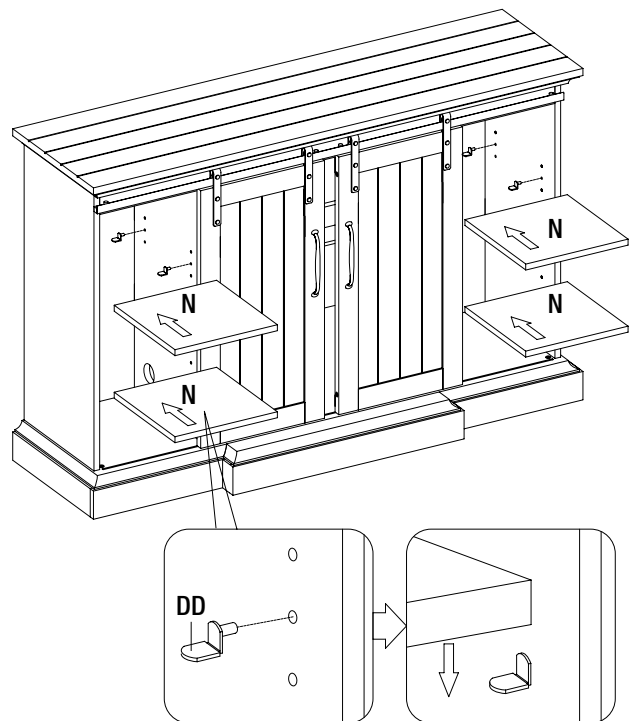
31 Installing the back panels

- Attach the Upper Back Panel (L) and Side Back Panels (M) by inserting the Screws (FF) through the pre-drilled holes in the Upper Back Panel (L) and the Side Back Panels (M).
- Tighten using a Phillips Screwdriver.



32 Attaching the adjustable shelves

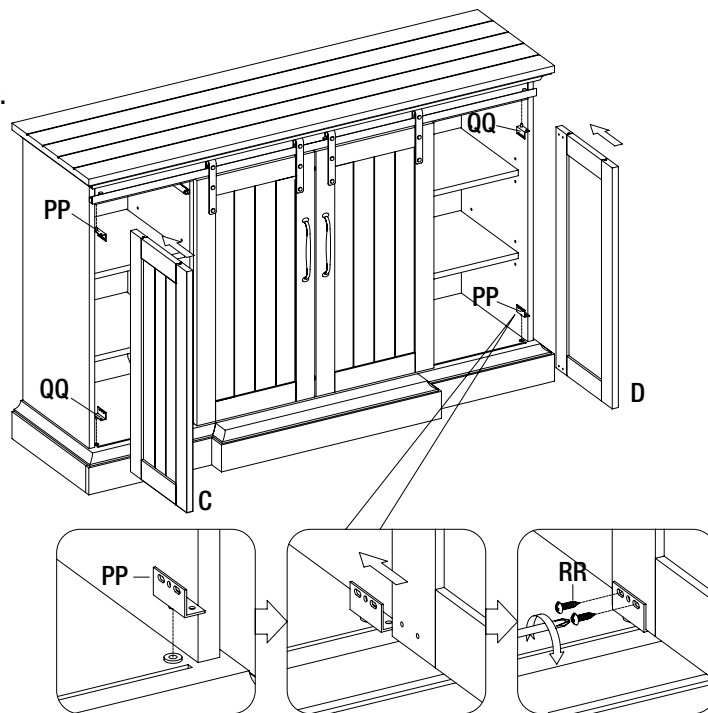
- Insert the Shelf Pins (DD) into the pre-drilled holes on the inside of each side cabinet panel as shown.
- Rest the Adjustable Shelf (N) on the Shelf Pins (DD).



Assembly (continued)

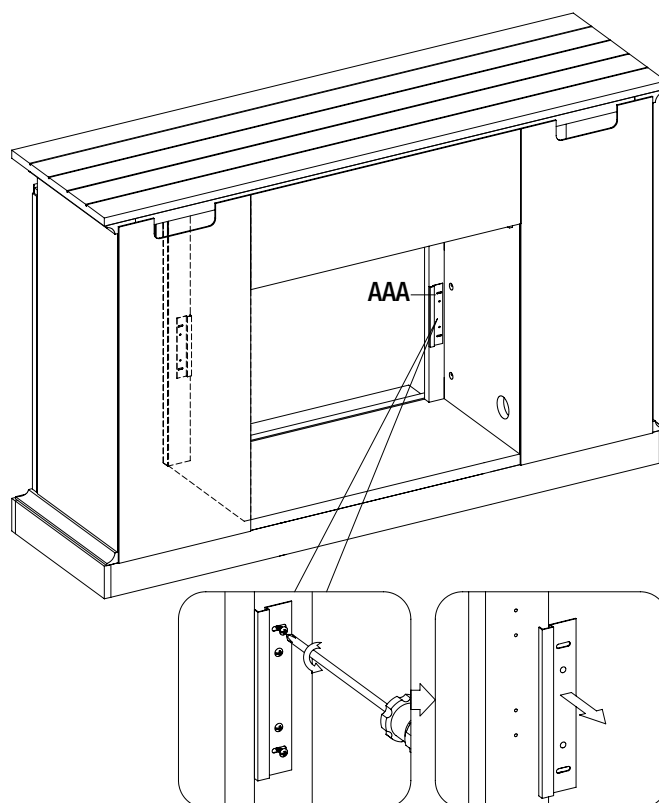
33 Attaching the cabinet doors

- Insert the Right and Left Pin Hinges (PP, QQ).
- Slide the Left Door (C) into the grooves.
- Insert Screws (RR) to secure the Left Door (C) into place.
- Repeat to attach the Right Door (D).



34 Preparing the insert brackets

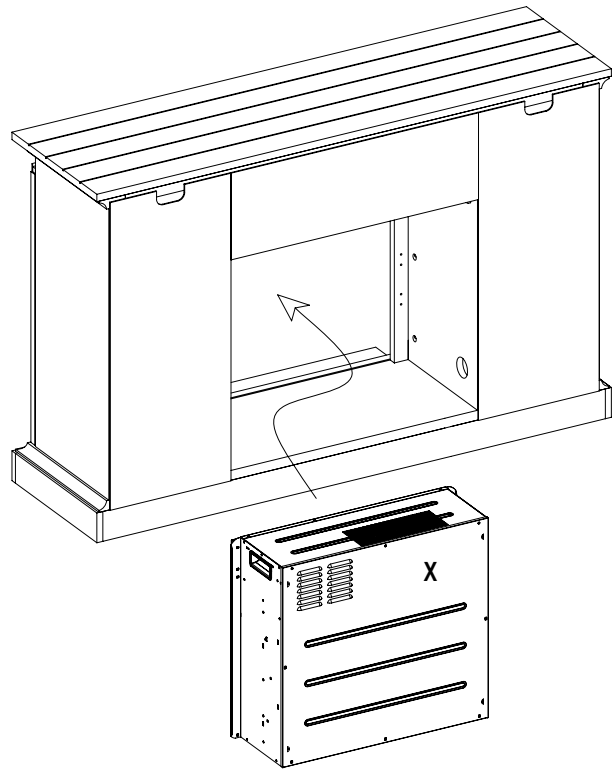
- Remove the Insert Mounting Brackets (AAA) located on the inside of the surround by unscrewing the mounting screws.



Assembly (continued)

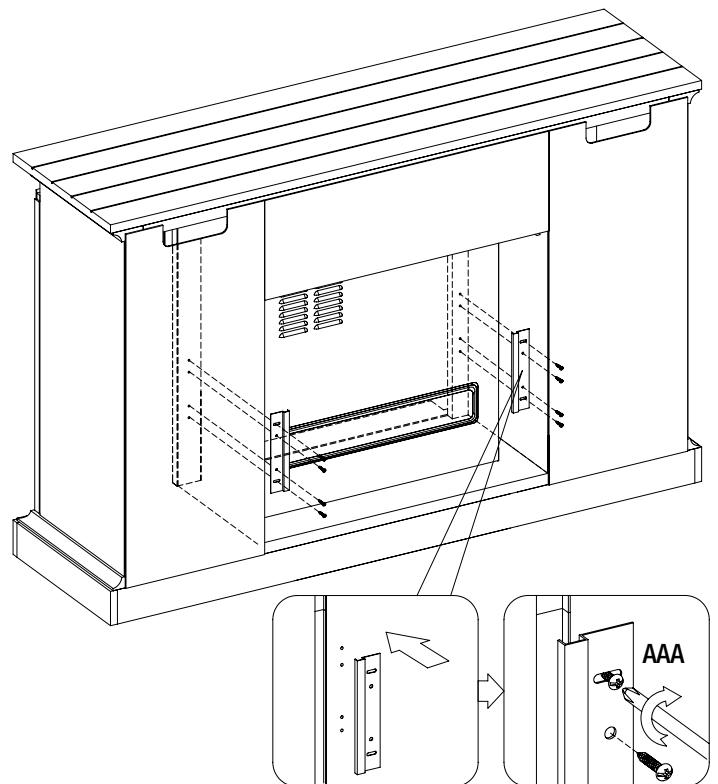
35 Installing the fireplace insert into the mantel assembly

- Lift the Fireplace Insert (X) carefully into the back of the unit and center in the fireplace insert opening.
- Do not drag the fireplace insert across the base as it may scratch your unit.



36 Securing the fireplace insert

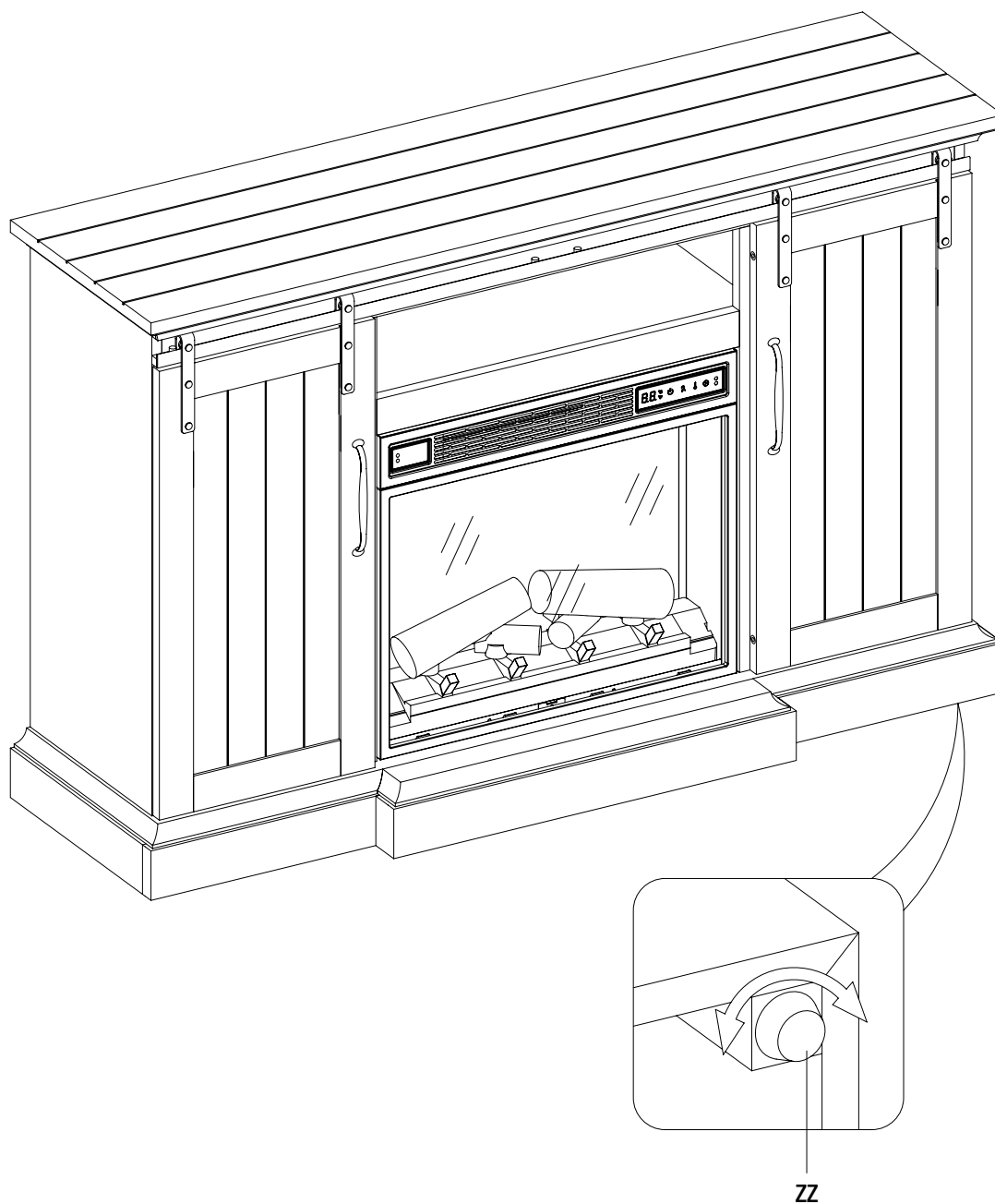
- Align the Insert Mounting Brackets (AAA) from step 34 and secure with the mounting screws.
- Repeat for the other sides.



Assembly (continued)

37 Adjusting the levelers

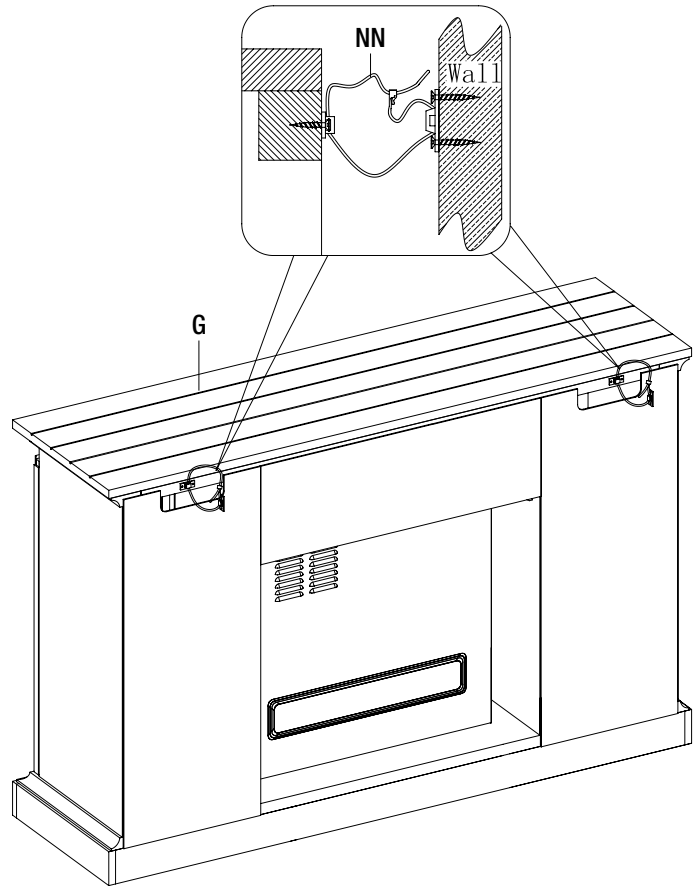
- The pre-attached Levelers (ZZ) are located under the base of the media unit.
- To level your assembled media unit, turn the Levelers as needed.



Assembly (continued)

38 Installing the tipping restraint hardware

- When the Tipping Restraint Hardware (NN) is properly installed, it can provide protection against unexpected tipping of the Unit due to small tremors, bumps or climbing.
- Each Tipping Restraint Hardware (NN) includes one Unit Anchor, one Wall Anchor, one Anchor Tether, and four Anchor Screws. Use these to complete the following steps for a proper installation.
- Locate a secure wall stud behind the unit closest the left side.
- Align the Unit Anchor with a wall stud and attach with two Anchor Screws using a Philips Screwdriver. The Anchor Screws must pass through the Top Panel (G) for proper installation.
- Align the Wall Anchor in the center of the wall stud, at level with the Unit Anchor, and attach with two Anchor Screws using a Philips Screwdriver.
- On the Anchor Tether, detach the cable from the connector and loop the loose cable through the eyelets on the Wall Anchor and Unit Anchor. Reattach the loose cable to the connector, but do not tighten.
- Locate a secure wall stud behind the unit closest to the right side, and repeat the steps above.
- Tighten both Anchor Tethers by pulling the cable the through connector.



NOTE: Installation of the Tipping Restraint Hardware (NN) will provide a small space between the wall and the unit. This will allow you to run power cords and connector cables to your television or other devices placed on top of the Unit.



WARNING: Installing the Tipping Restraint Hardware will help prevent accidents or damage to the unit.

Operation



NOTE: The control panel can be accessed at the upper-right corner of the insert.



1 Powering the fireplace

- Push the Power button to supply power to all functions of the fireplace and put the insert in a standby mode.
- Push the Power button again to turn off all functions.



NOTE: All previous settings are held in memory, so the next time you power up the fireplace, the unit will turn on with the same settings.



NOTE: Holding the Power button on the control panel for 10 seconds will disable the heater function.



2 Adjusting the flame

- There are 6 brightness levels that can be selected:

Settings F6 - F4 decrease in Amber brightness.

Settings F3 - F1 decrease in Spectrafire brightness.



3 Adjusting the heater

- Press the Heater button to set the thermostat. The fireplace contains three infrared quartz heating elements. The thermostat setting range is 62°F - 82°F or 17°C - 27°C or always ON. The thermostat is adjustable by 2°F or 1°C increments. The up and down buttons “+”/“-” on the remote will increase / decrease temperature setting.



NOTE: To change between °F and °C press and hold the HEATER button on the control panel for 3 seconds.



4 Setting the timer

Pressing the Timer button will cycle through the timer settings; 30 minutes, 1 Hour, 2H, 3H, 4H, 5H, 6H, 7H, 8H, 9H and off.



Operation (continued)

5 Replacing the remote control battery

- When the remote control stops operating or its range seems reduced, it is time to replace the batteries with new ones.
 - On the back end of the remote, press and slide the battery door open and remove the old battery.
 - Insert 2 AAA batteries, checking that the + and - sides of the battery match inside the battery compartment.
 - Replace the battery compartment door.



NOTE: Do not mix old and new batteries. Do not mix alkaline, standard (carbonzinc), or rechargeable (nicad, nimh, etc) batteries. Do not ingest batteries.



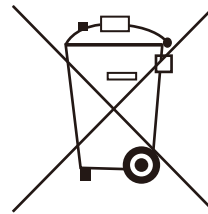
NOTE: Please operate the remote control at a slow measured pace. Press the remote control buttons with an even motion and gentle pressure. Repeatedly pressing buttons in rapid succession may cause the transmitter to malfunction.



NOTE: Batteries should be removed if the product is to be left unused for a long time.

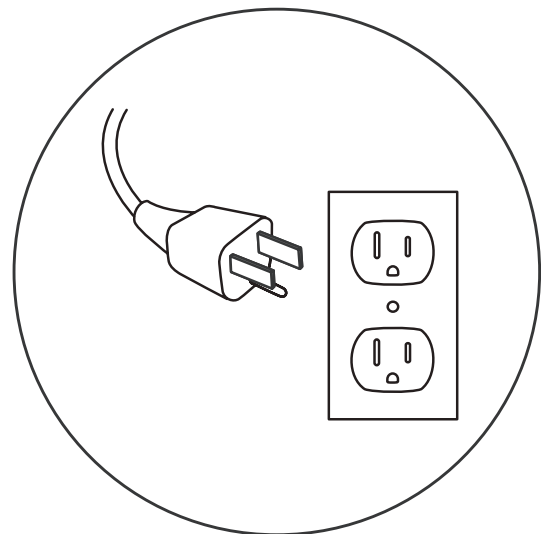
6 Disposing of used batteries

- The battery may contain hazardous substances that could endanger the environment and human health.
- This symbol marked on the battery and/or packaging indicates that used battery should not be treated as municipal waste. Instead it shall be left at the appropriate collection point for recycling.
- By correctly disposing used batteries, you prevent potential negative consequences for the environment and human health. Recycling used materials also conserves natural resources.
- For more information about collecting and recycling used batteries, please contact your local municipality, your waste disposal service or the point of sale where you purchased this product.



7 Power cord information

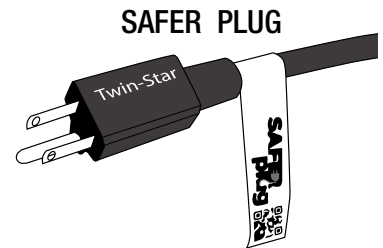
- This heater is for use on 120 volts. The cord has a plug as shown in the figure.
- Connect to properly grounded outlets only.
- Do not use a 2 prong adapter. Never use with an extension cord or relocatable power tap (outlet/power strip).



Operation (continued)

8 Patent pending Safer Plug® information

- This product is equipped with a Safer Plug®, which is an advanced safety device that helps detect electrical fires caused from faulty outlets.
- Overloading of outlets, adapters and surge protectors may cause overheating, damage, and increased risk of fires. The Safer Plug continuously monitors the temperature in the plug and outlet and will turn off the heater to prevent unsafe outlet overheating.
- If the Safer Plug cuts the power due to unsafe conditions it will show an “Er” message on the screen. If this occurs the Safer Plug has prevented a potentially unsafe condition.
- To reset the device if this occurs, first allow the plug to cool down. Once the plug has cooled down, unplug the device and wait 5 seconds, then plug back in and continue to use normally.
- If the Safer Plug continues to activate, your outlet may be faulty. Check your heater cord and plug connections. Faulty wall outlet connections or loose plugs can cause the outlet or plug to overheat. Be sure the plug fits tight in the outlet. Heaters draw more current than small appliances. Overheating of the outlet may occur even if it has not occurred with the use of other appliances. During use check frequently to determine if your plug outlet or faceplate is HOT! If so, discontinue use of the heater and have a qualified electrician check and/or replace the faulty outlet(s).



Patent Pending

9 Patent pending Safer Sensor™ information

- This product is equipped with a Safer Sensor; an advanced safety device that helps prevent heaters from being accidentally covered or blocked causing a potentially unsafe condition.
- The Safer Sensor detects if an object is too close to the front of the heater potentially obstructing the air outlet. If blocked, the control panel will flash “E5” icon and the heater will be turned off. Once the object has been moved and after the user presses the power button, “E5” will disappear and the unit will be back on the previous setting with the heat on.



FCC/IC Information



WARNING: Changes or modifications to this unit not expressly approved by the party responsible for compliance could void user's authority to operate the equipment.



NOTE: This equipment has been tested and found to comply with the limits for Class B digital device, pursuant to part 15 of the FCC Rules. These limits are designed to provide reasonable protection against harmful interference in a residential installation. This equipment generates, uses, and can radiate radio frequency energy and, if not installed and used in accordance with the instructions, may cause harmful interference to radio communications. However, there is no guarantee that interference will not occur in a particular installation. If this equipment does cause harmful interference to radio or television reception, which can be determined by turning the equipment off and on, the user is encouraged to try to correct the interference by one or more of the following measures:

- Reorient or relocate the receiving antenna.
- Increase the separation between the equipment and the receiver.
- Connect the equipment into an outlet on a circuit different from that to which the receiver is connected.
- Consult the dealer or an experienced radio/TV technician for help.

This device complies with Part 15 of the FCC Rules. Operation is subject to the following two conditions:

- (1) This device may not cause harmful interference, and
- (2) this device must accept any interference received, including interference that may cause undesired operation.

This Class B digital apparatus complies with Canadian ICES-003.

Care and Cleaning

- Dust your fireplace regularly with a soft non-lint-producing cloth or household dusting product.
Clean your fireplace with a gentle non-abrasive household cleaner. Dry your fireplace immediately with a soft cloth or towel.
- The motors used on the fan and the flame generator assembly are pre-lubricated for extended bearing life and require no further lubrication. However, we recommend periodic cleaning/vacuuming of the fan/heater.
Make sure the unit is turned OFF and unplugged whenever you are cleaning the heater or fireplace.



WARNING: Make sure the power is turned off before proceeding with repairs. Any electrical repairs or rewiring of this unit should be carried out by a licensed electrician in accordance with national and local codes. If repairing or replacing any electrical component or wiring, the original wire routing, color coding and securing locations must be followed. During any service of this appliance, the power to the unit must be turned off. First turn the main power switch to the OFF position. Then remove the electrical plug from the wall outlet.



WARNING: Electrical outlet wiring must comply with local building codes and other applicable regulations to reduce the risk of fire, electrical shock and injury to persons.



WARNING: Do not use this fireplace if any part of it has been under water. Immediately call a qualified service technician to inspect the fireplace and replace any part of the electrical system.



WARNING: Disconnect power before attempting any maintenance or cleaning to reduce the risk of fire, electrical shock or personal injury.

Troubleshooting

PROBLEM	ROOT CAUSE	CORRECTIVE ACTION
Display shows "E 1"	The thermostat sensor is broken or disconnected.	Unplug the fireplace, remove the back panel of the fireplace and check that the thermostat is plugged into the main circuit board. If this does not solve the problem contact customer service for a replacement thermostat sensor.
Display shows "E 2"	The thermostat sensor is broken.	Contact customer service for a replacement thermostat sensor.
Display shows "E 3"	Manual Reset overheat protection has triggered.	Inspect the heater and check that the air inlets and outlets are not blocked as this may cause overheating. Unplug the heater for 30 minutes and allow it to cool down. Replug and operate. Monitor the heater for signs of overheating. If the problem persists, discontinue use of the heater and contact customer service.
Display shows "E r"	This is normal operation.	Check your heater cord and plug connections. Faulty wall outlet connections or loose plugs can cause the outlet or plug to overheat. Be sure the plug fits tight in the outlet. Heaters draw more current than small appliances. Overheating of the outlet may occur even if it has not occurred with the use of other appliances. During use check frequently to determine if your plug outlet or faceplate is HOT! If so, discontinue use of the heater and have a qualified electrician check and/or replace the faulty outlet(s).
Display Shows "E5"	The heater air outlet is blocked.	Verify there is a 3 ft. clear space in front of the heater air outlet.
Heater does not blow warm air.	The heater is in a cool down cycle.	Normal operation will continue to run for several minutes before shutting down. Times will vary based on temperatures. During this time cool air will blow.
There is no power and the logs do not glow.	There is no power to the unit.	Check that the unit is plugged into a standard 120V outlet. Press the Power button several times and make sure power is set to the "ON" position.
The logs glow, but there is no flame effect.	The flame effect turned off.	Press the Flame button several times.
The heater does not blow warm air.	Thermostat setting is preventing the heater from turning on.	Adjust the temperature settings to ensure that the thermostat is set higher than the current room temperature.

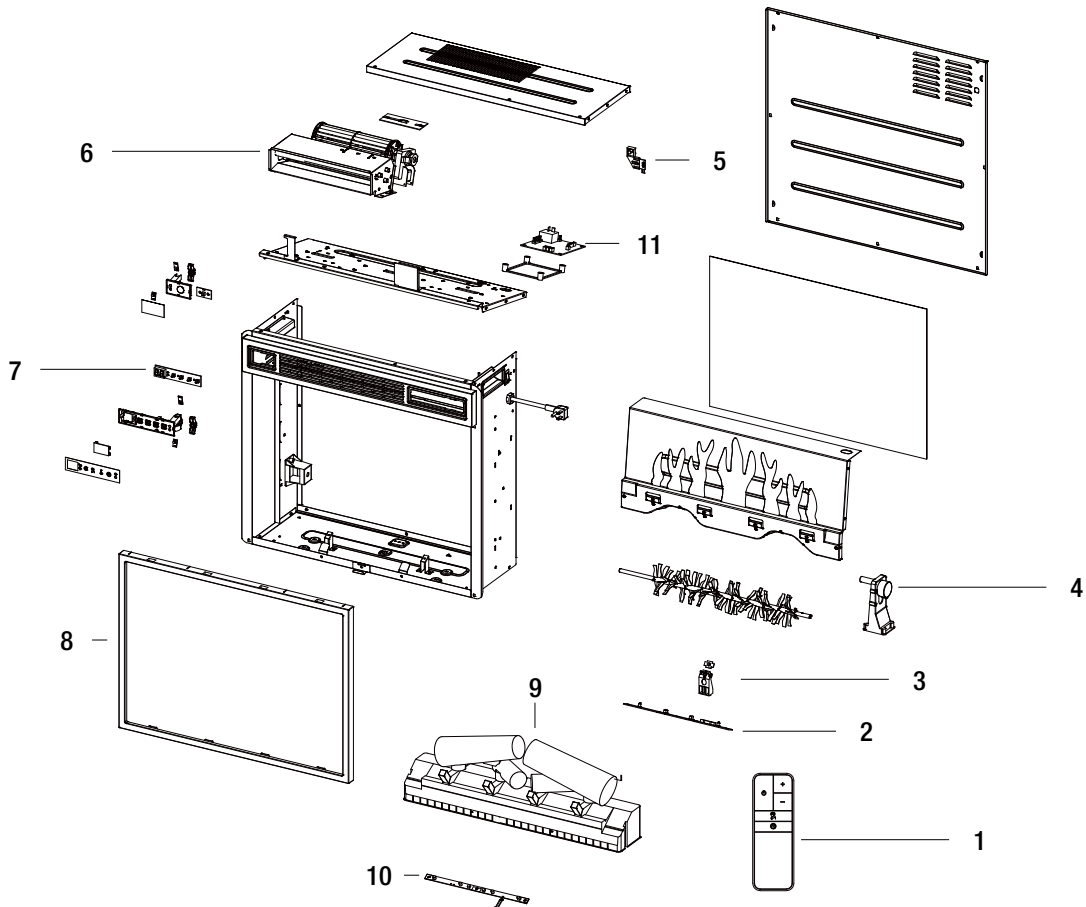
Troubleshooting (continued)

PROBLEM	ROOT CAUSE	CORRECTIVE ACTION
Flame effect works but heater function does not and the emberbed flashes when the Heater button is pressed.	The heater is disabled.	With the power on press and hold the POWER button on the control panel for 10 seconds. Once re-enabled the emberbed lights will flash multiple times.
The remote control is not working.	There are no batteries.	Change the remote batteries.
	The signal is poor.	Operate remote transmitter at a slow measured pace. Press the remote control buttons with an even motion and gentle pressure. Repeatedly pressing buttons in rapid succession may cause the transmitter to malfunction.
	The remote is too far from the heater.	Operate the remote at a distance less than 20 ft from the front of the appliance; point the remote at the control panel.

Replacement Parts

For replacement parts, call our customer service department at 1-800-986-3460, 8 a.m.-7 p.m., EST, Monday-Friday, 9 a.m. - 6 p.m., EST, Saturday.

Part	Description	Qty.
1	Remote Control	1
2	Flame Circuit Board	1
3	Blue LED Circuit Board	1
4	Flame Generator Drive Motor	1
5	Thermostat Sensor	1
6	Blower / Heater Assembly	1
7	Control Panel Circuit Board	1
8	Front Panel with Frame	1
9	Embered with Logset	1
10	Embered Circuit Board	1
11	Main Circuit Board	1



HOME DECORATORS COLLECTION®

Questions, problems, missing parts? Before returning to the store call
Home Decorators Customer Service

8 a.m. - 7 p.m., EST, Monday - Friday, 9 a.m. - 6 p.m., EST, Saturday

1-800-986-3460

[HOMEDEPOT.COM/HOMEDECORATORS](https://www.homedepot.com/homedecorators)

RETAIN THIS MANUAL FOR FUTURE USE.