

About

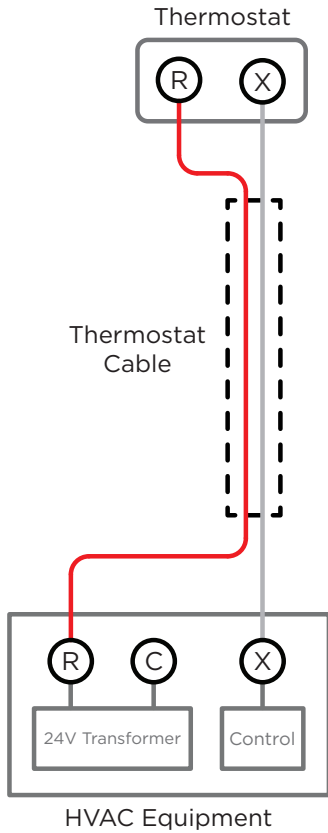
This document contains additional wiring diagrams for the Common Maker. If the diagram for your system is not shown here, please contact us at 1-800-775-4750 or info@nordictech.ca

Table of Contents

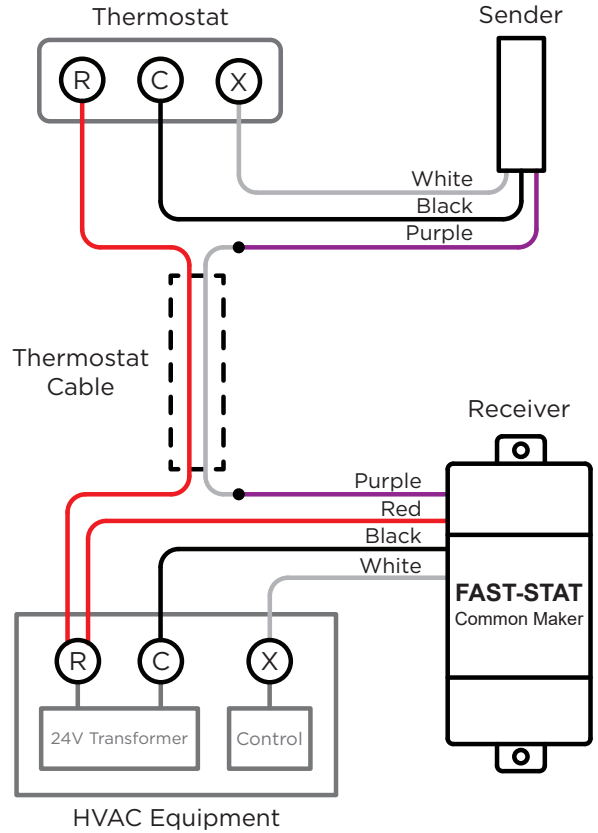
Generic Wiring Applications 2
Two Transformer Heating and Cooling 3
Single Zone Valve with External Transformer 4
Taco Zone Valve with T-T Terminal Aquastat 5
Taco Zone Controller with T-T Terminals 6
Taco Zone Valve with R-W-C Terminal Boiler 7
Taco Zone Controller with R-W-C Terminals 8
Honeywell Zone Valve with T-T Terminal Aquastat 9
White Rodgers Zone Valve with T-T Terminal Aquastat . . 10

- Generic Wiring Application

Before

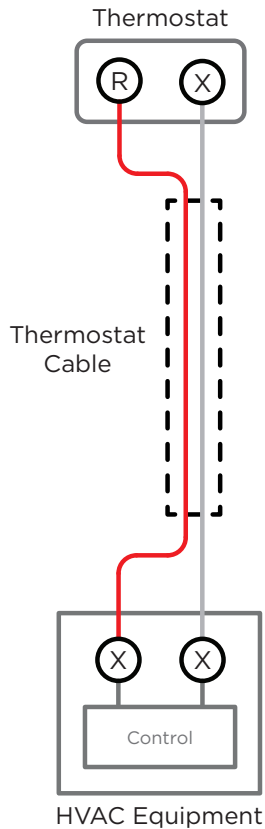


After

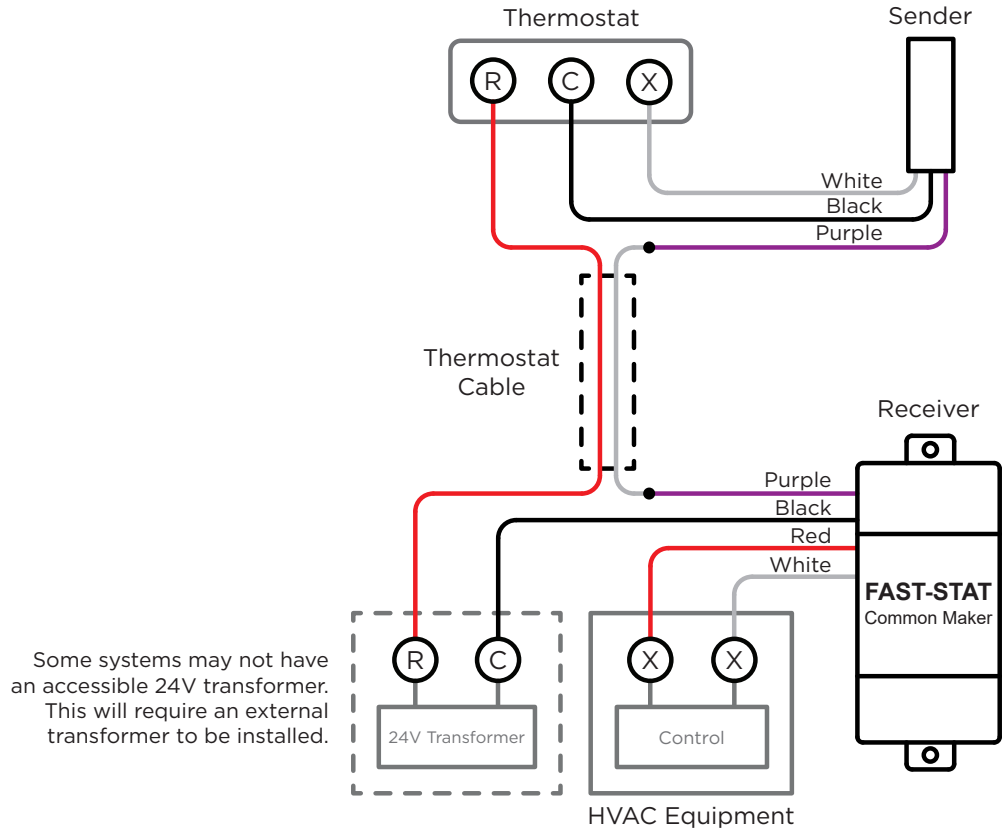


- Generic Wiring Application (Dry-Contact Switching)

Before

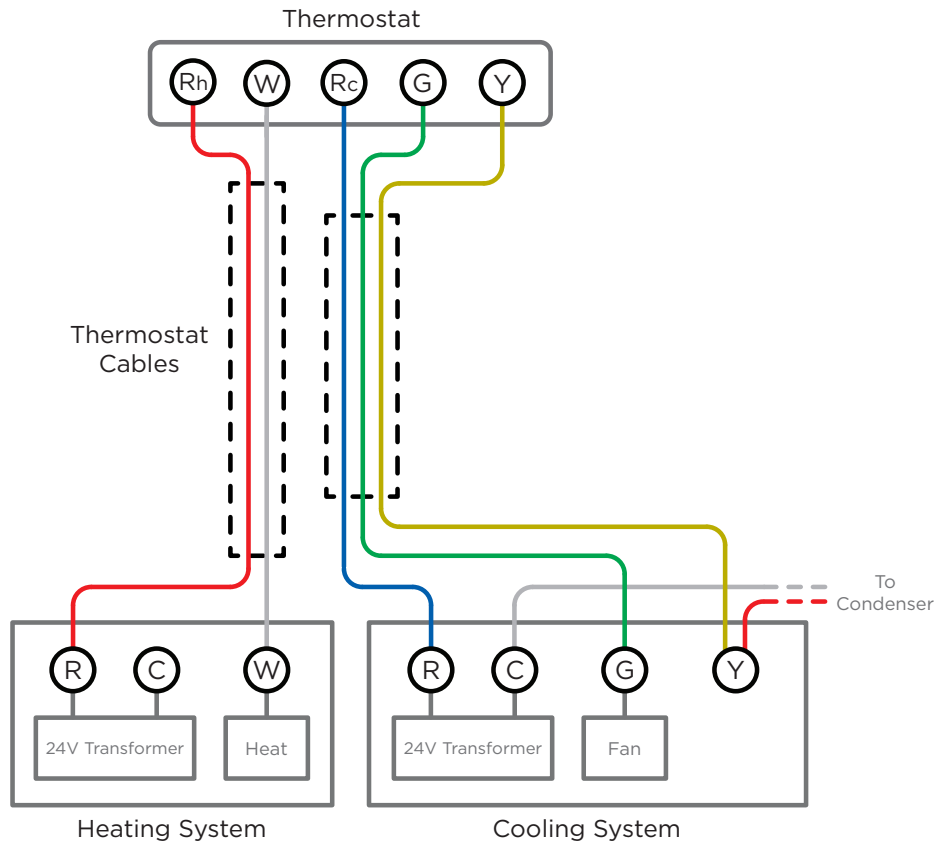


After

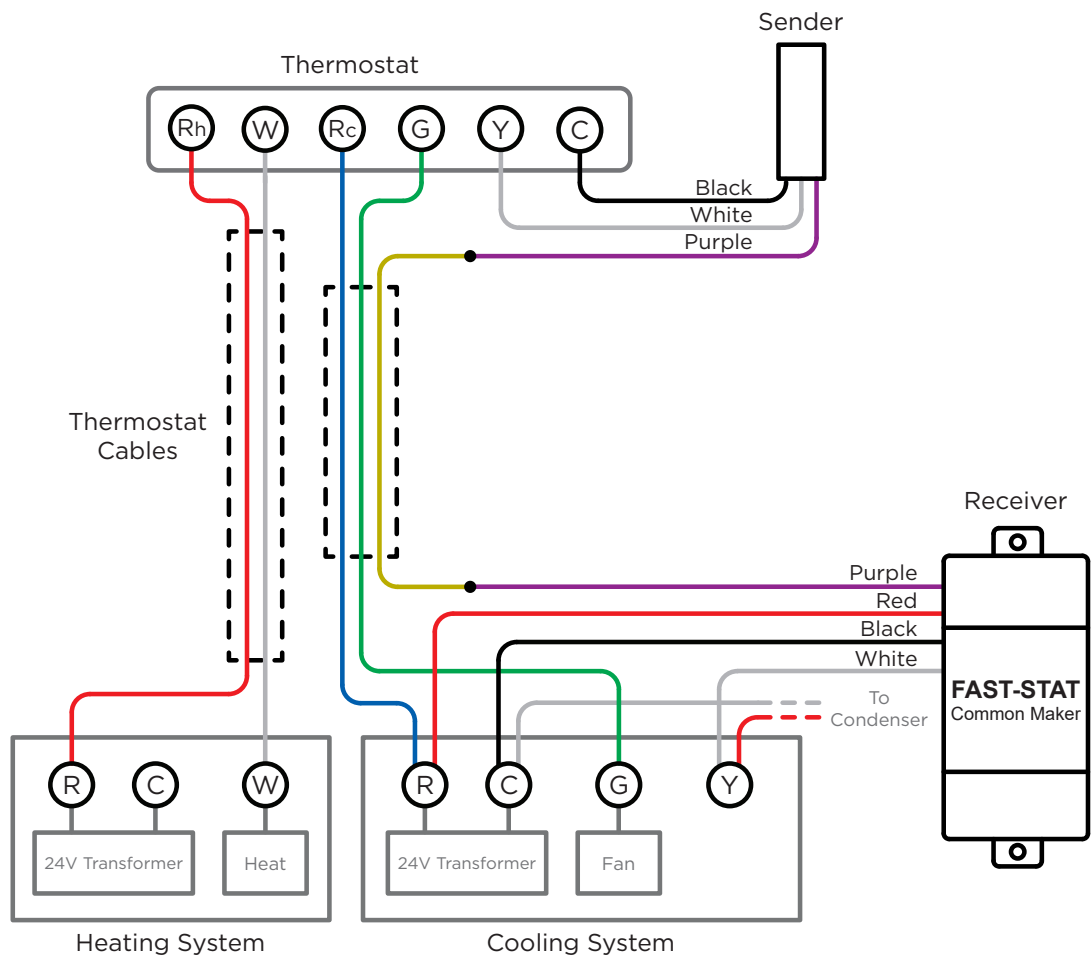


G Two Transformer Heating and Cooling System

Before

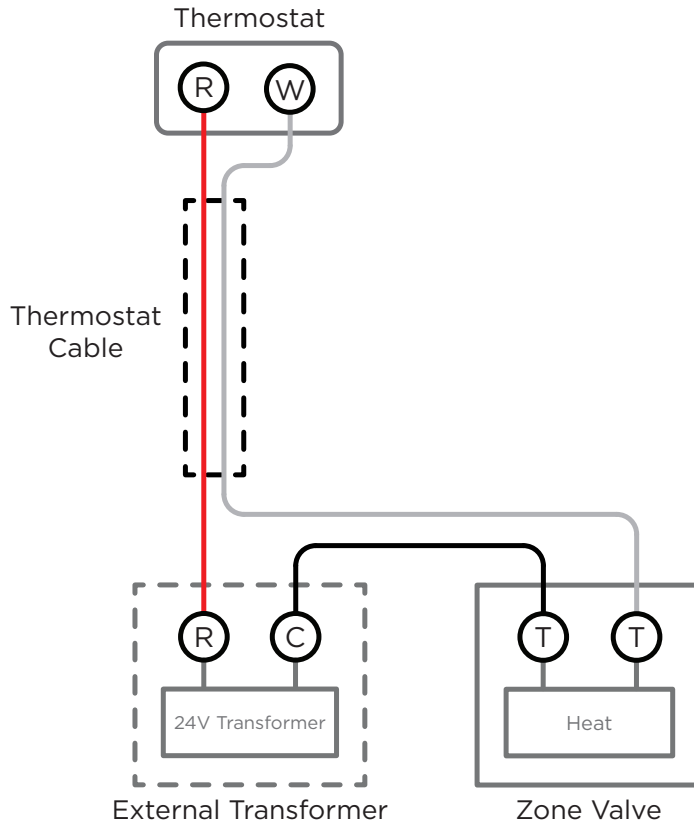


After

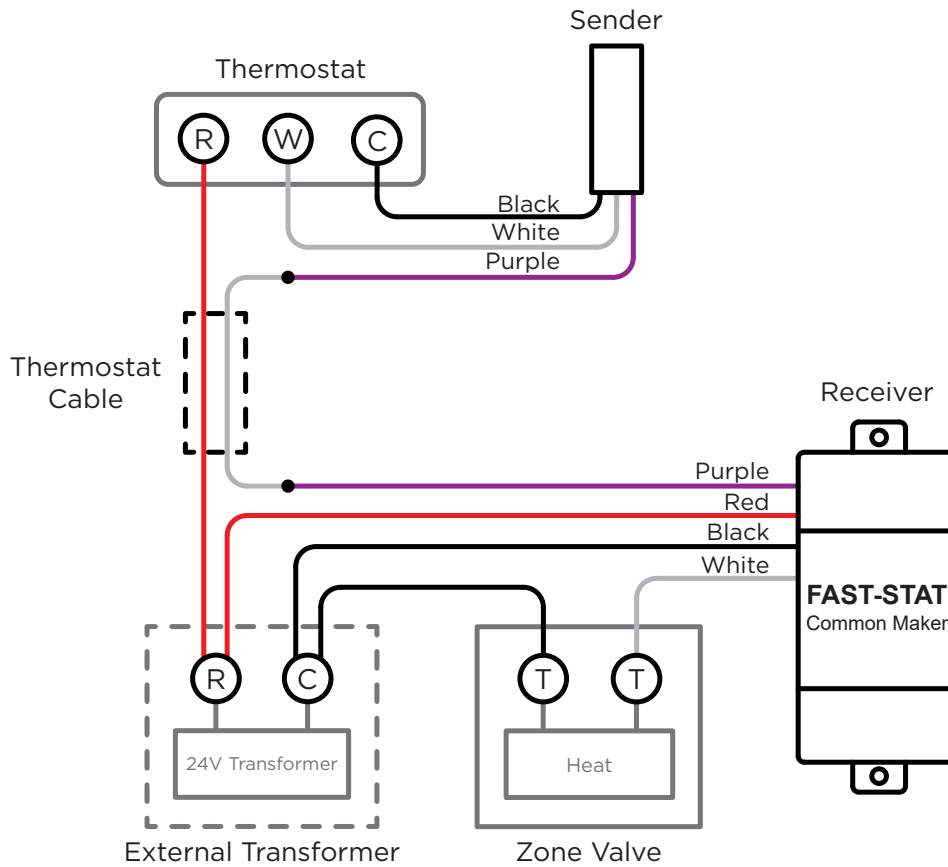


H Single Zone Valve with External Transformer

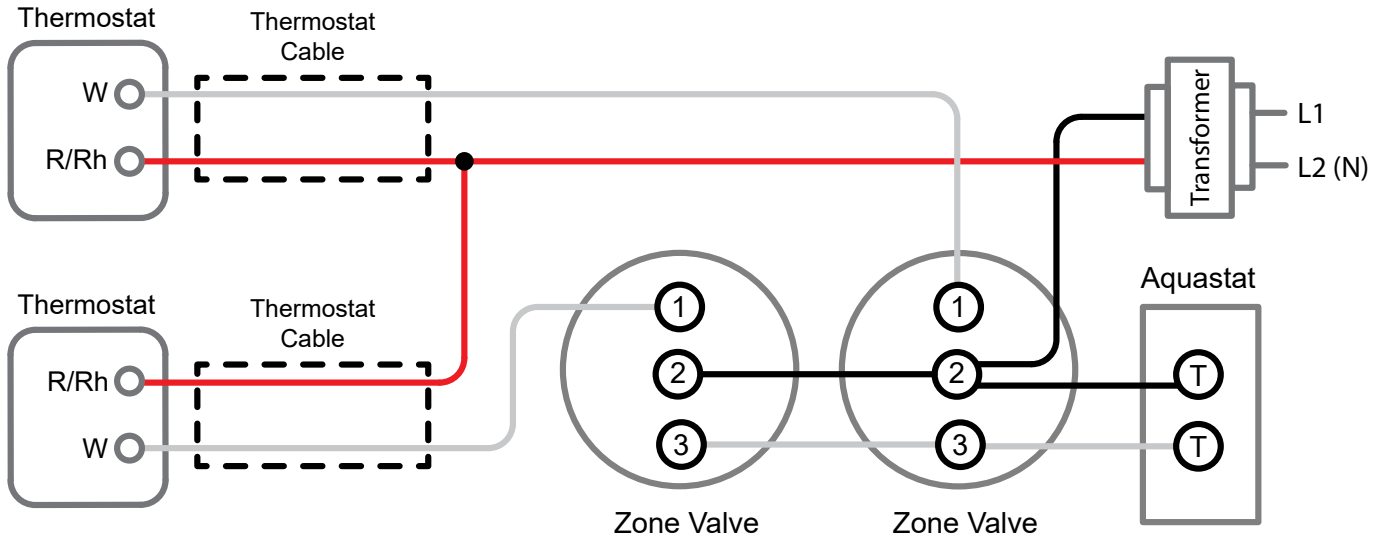
Before



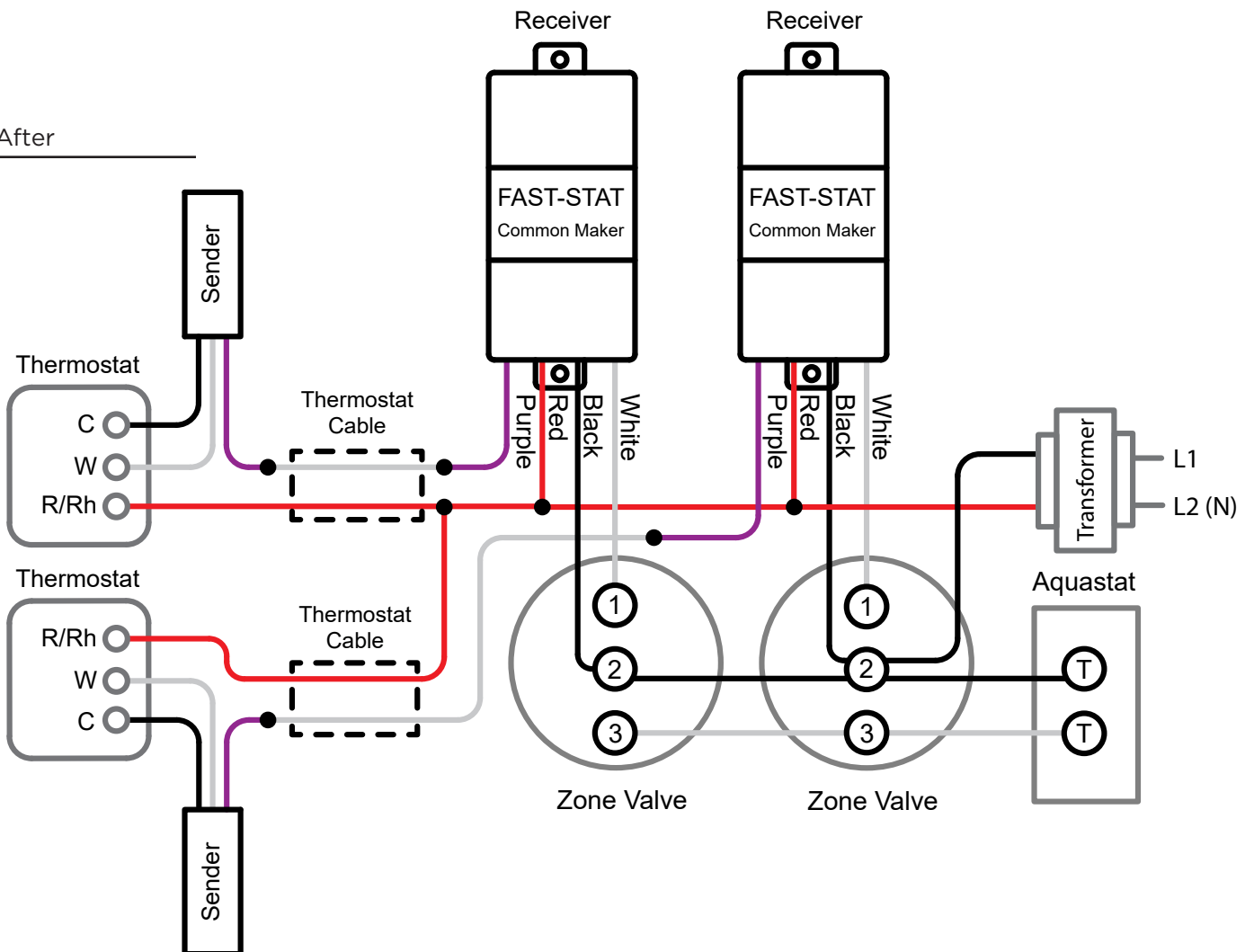
After



Before

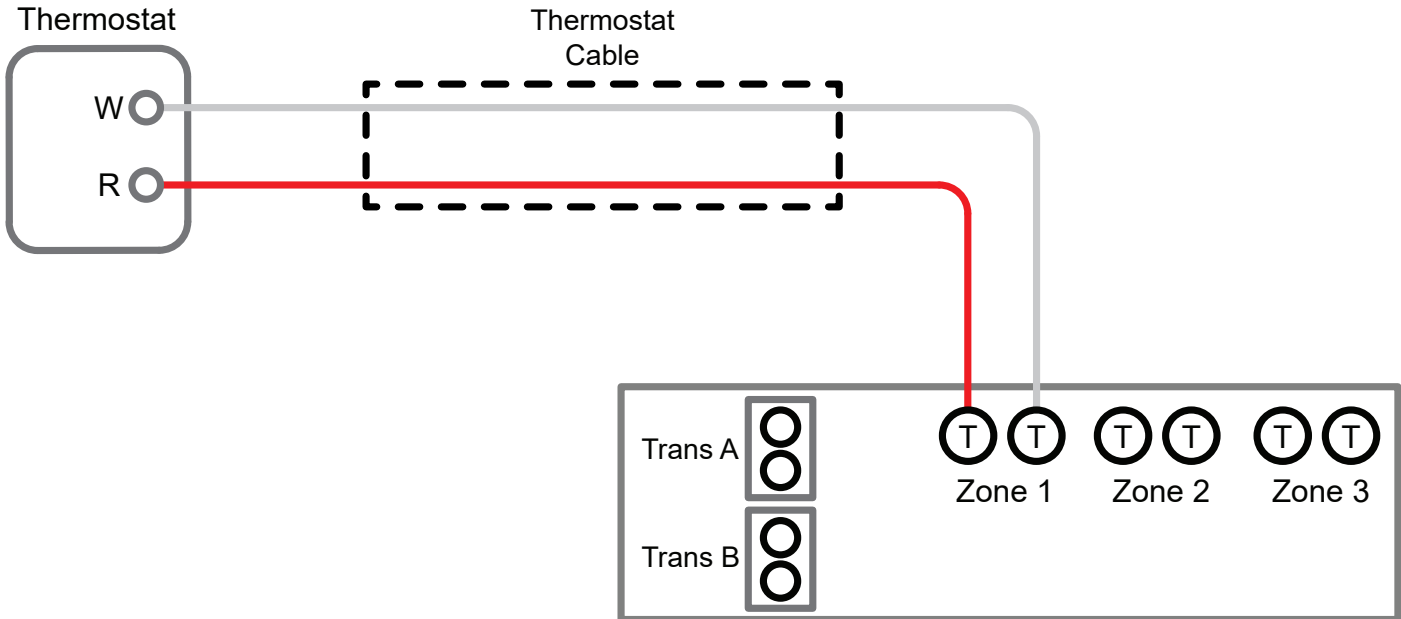


After

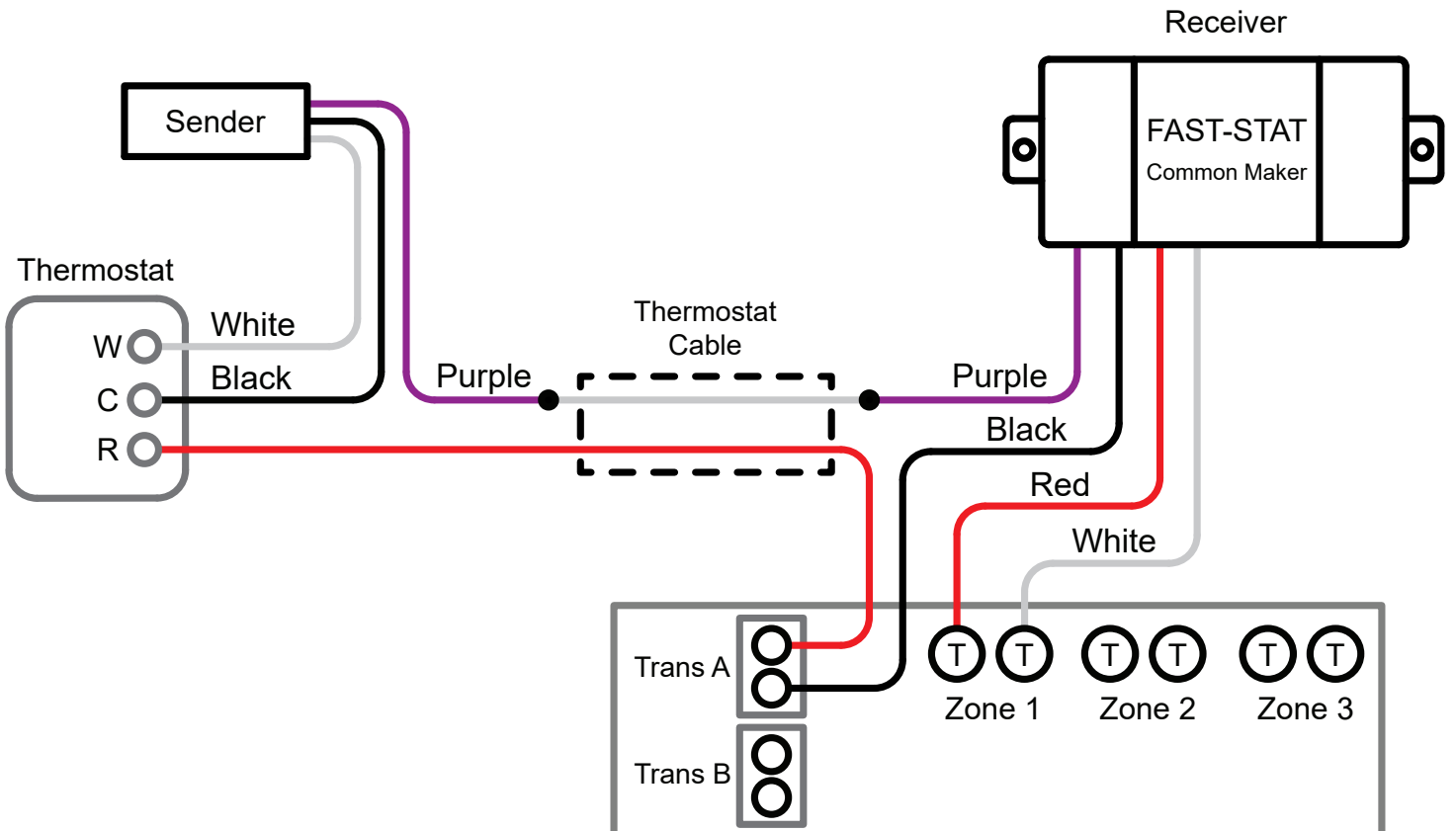


J Taco Zone Controller with T-T Terminals

Before

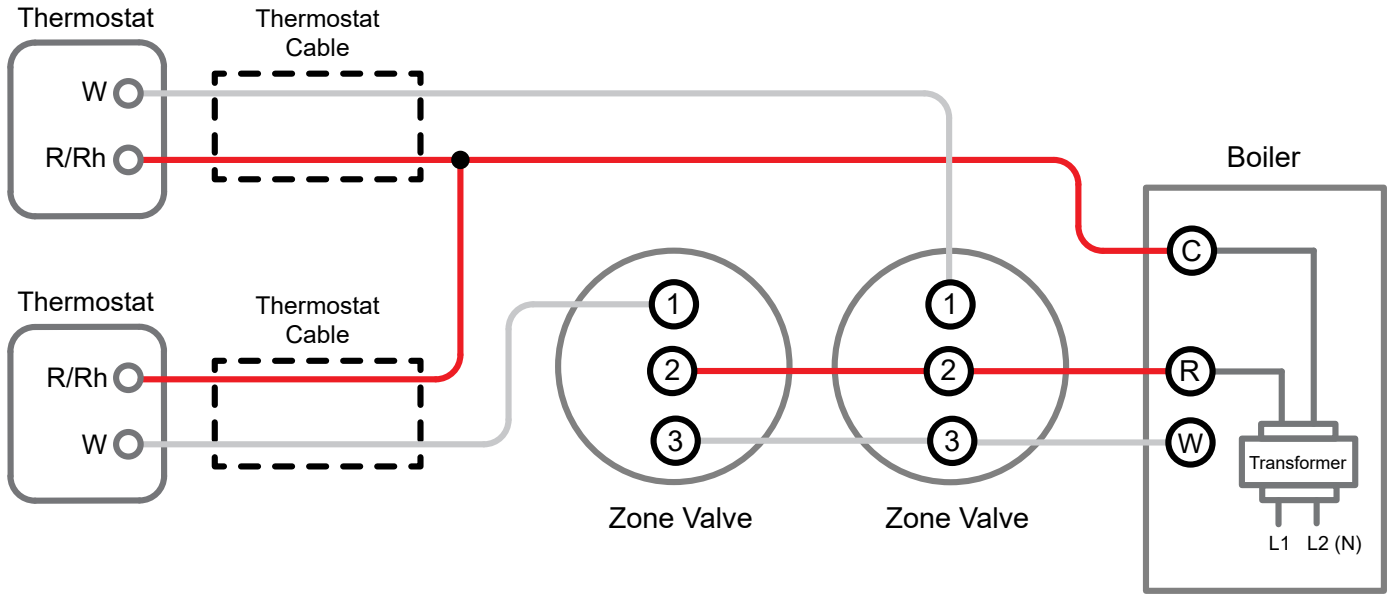


After

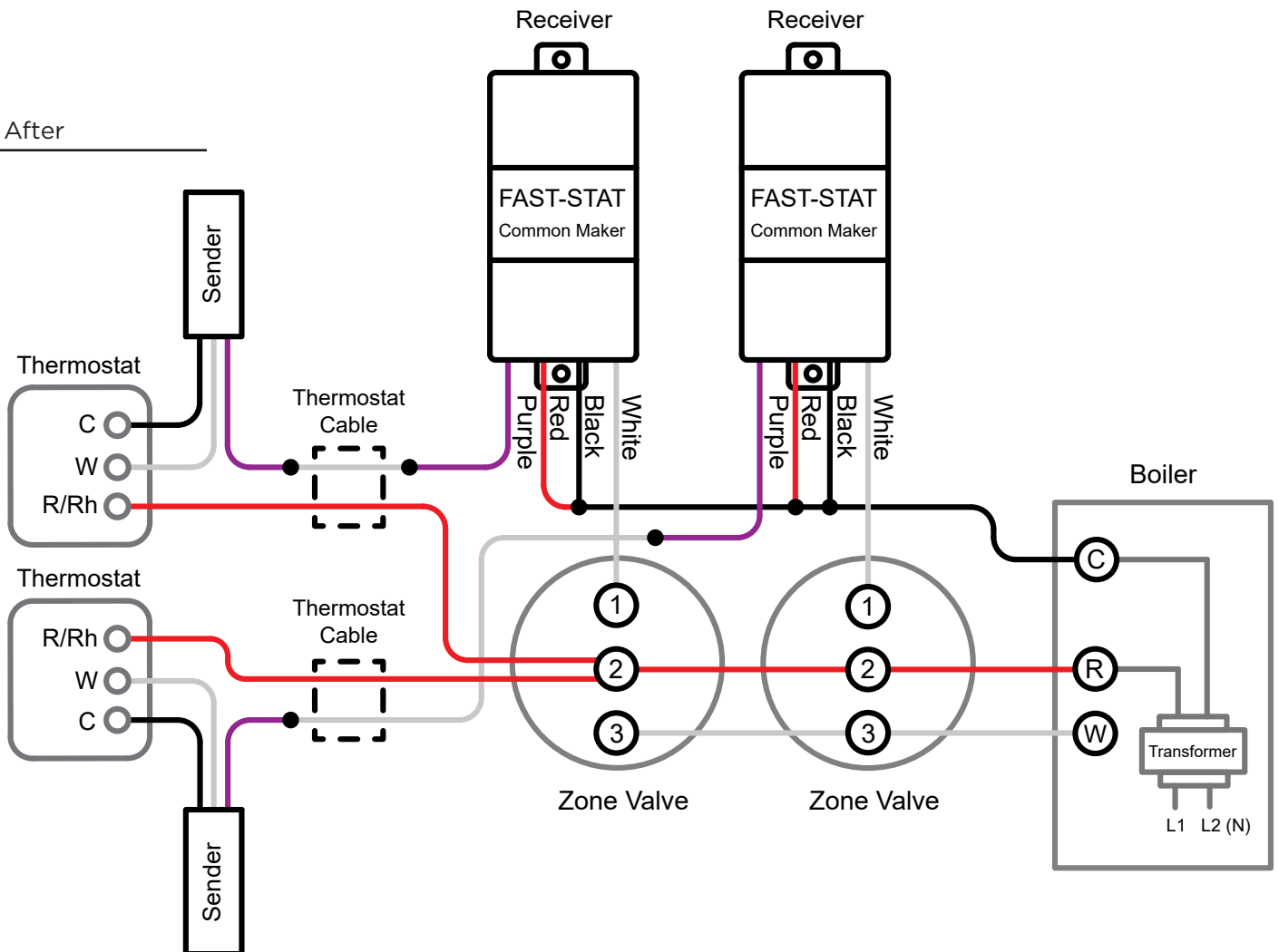


K Taco Zone Valve with R-W-C Terminal Boiler

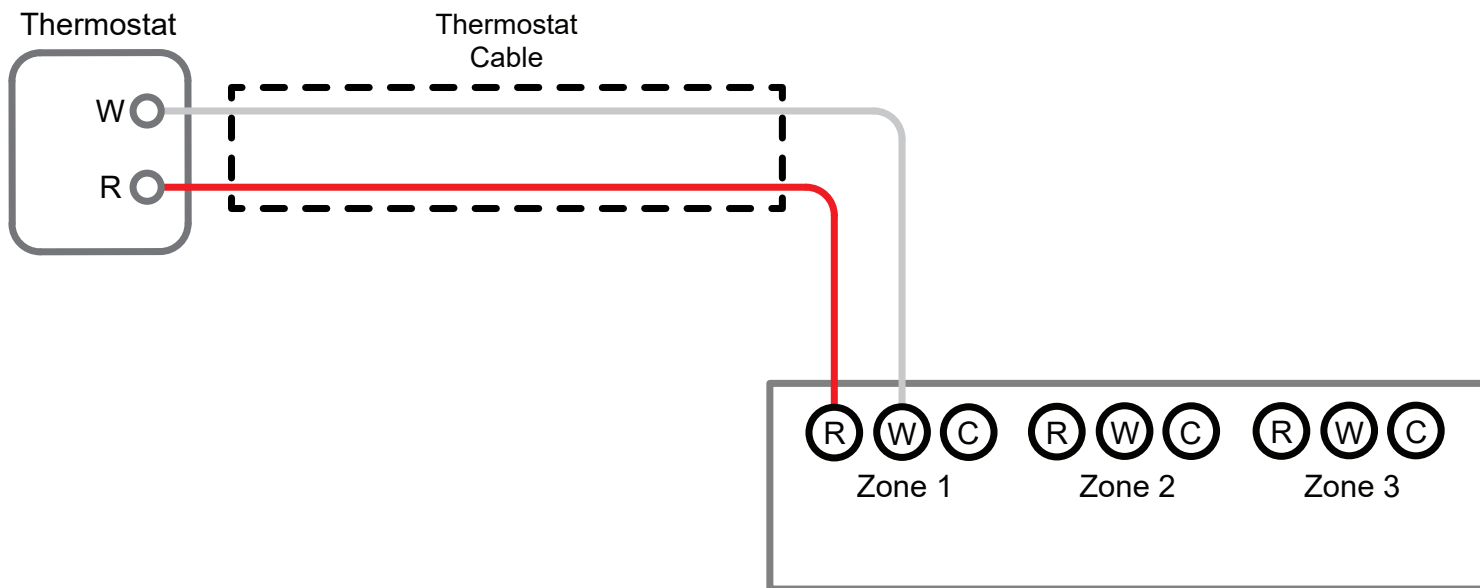
Before



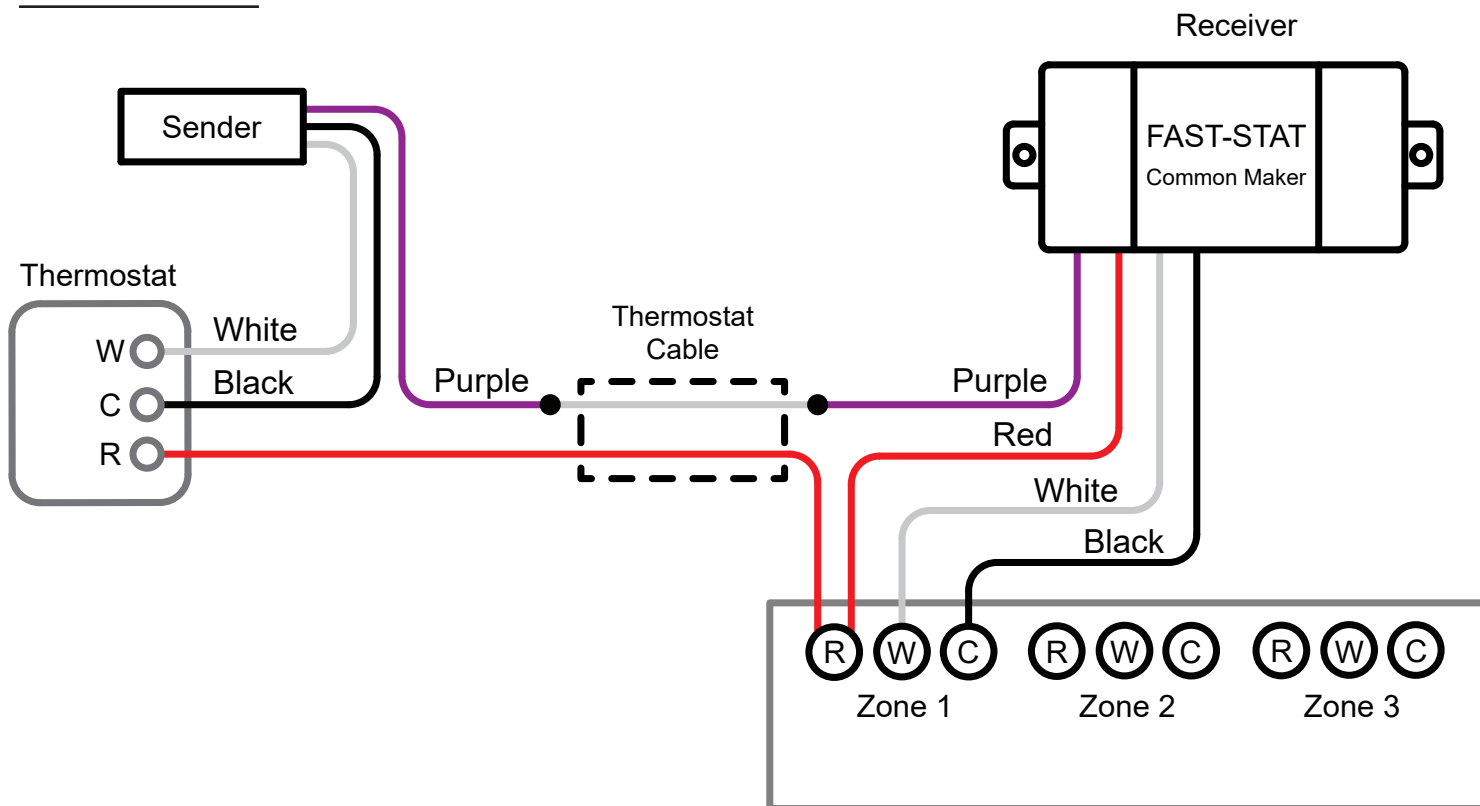
After



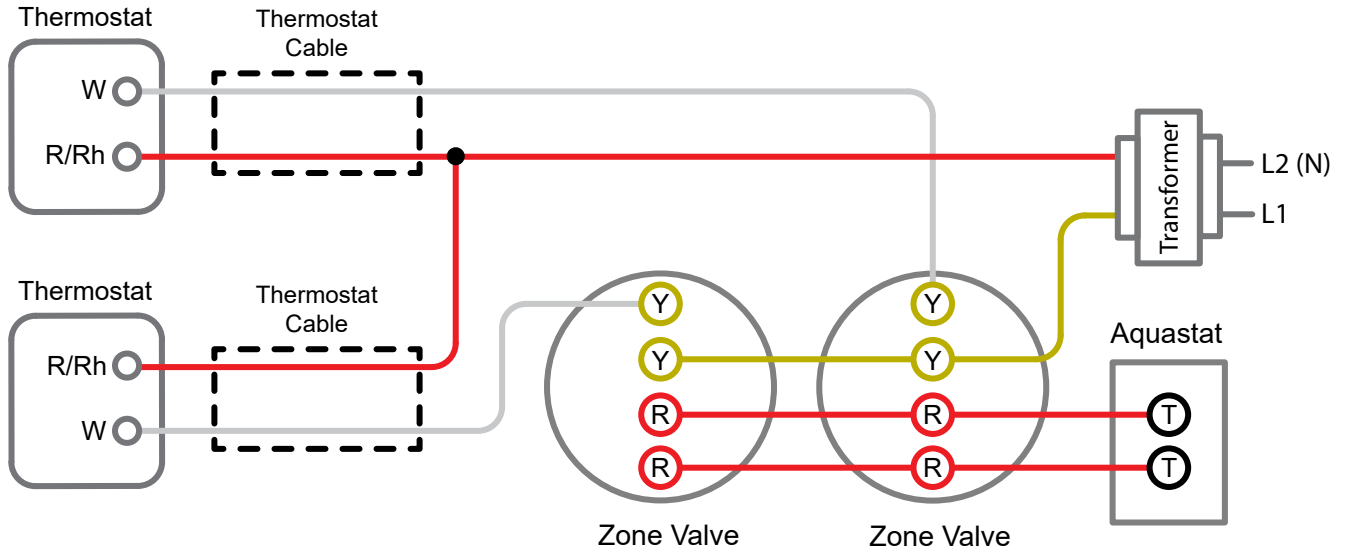
Before



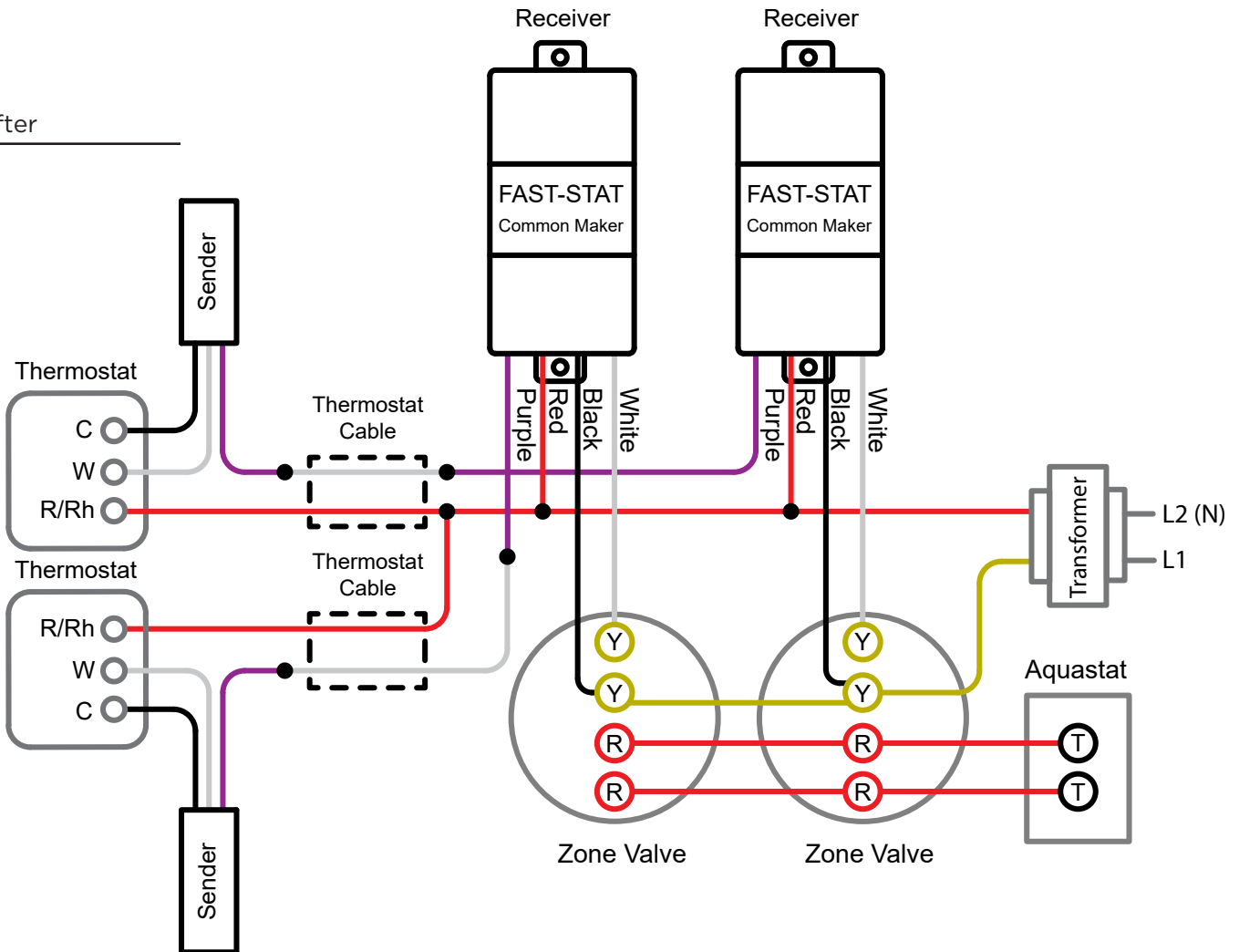
After



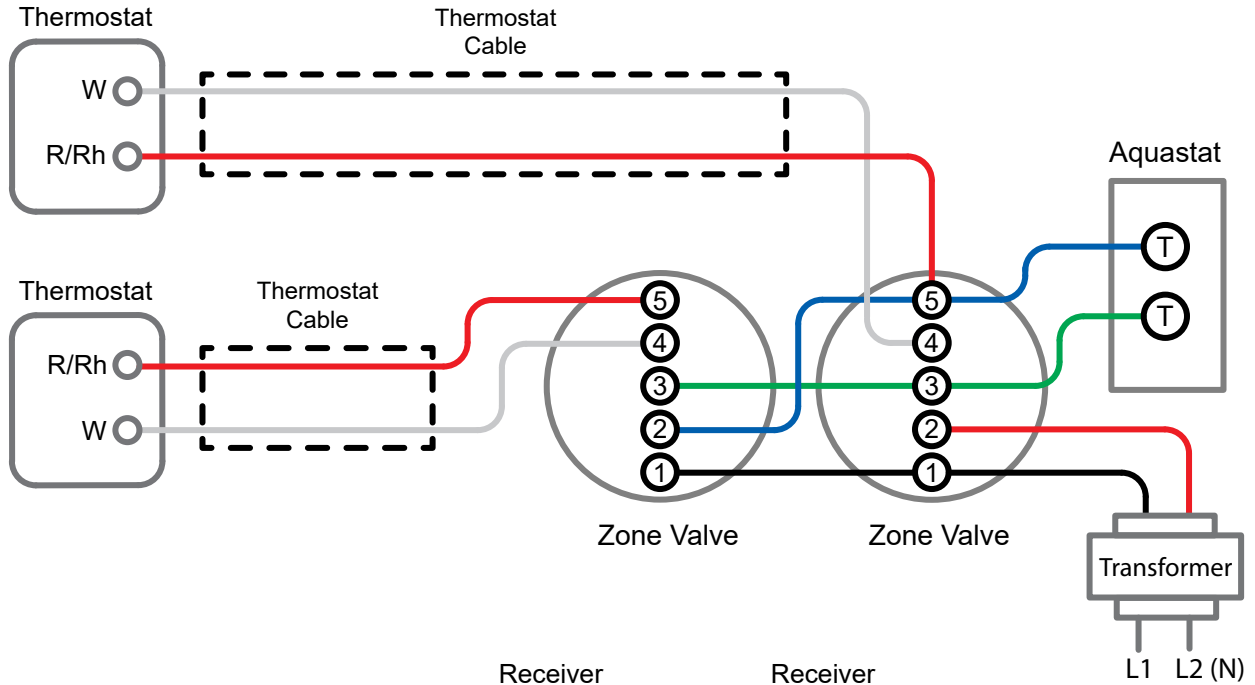
Before



After



Before



After

