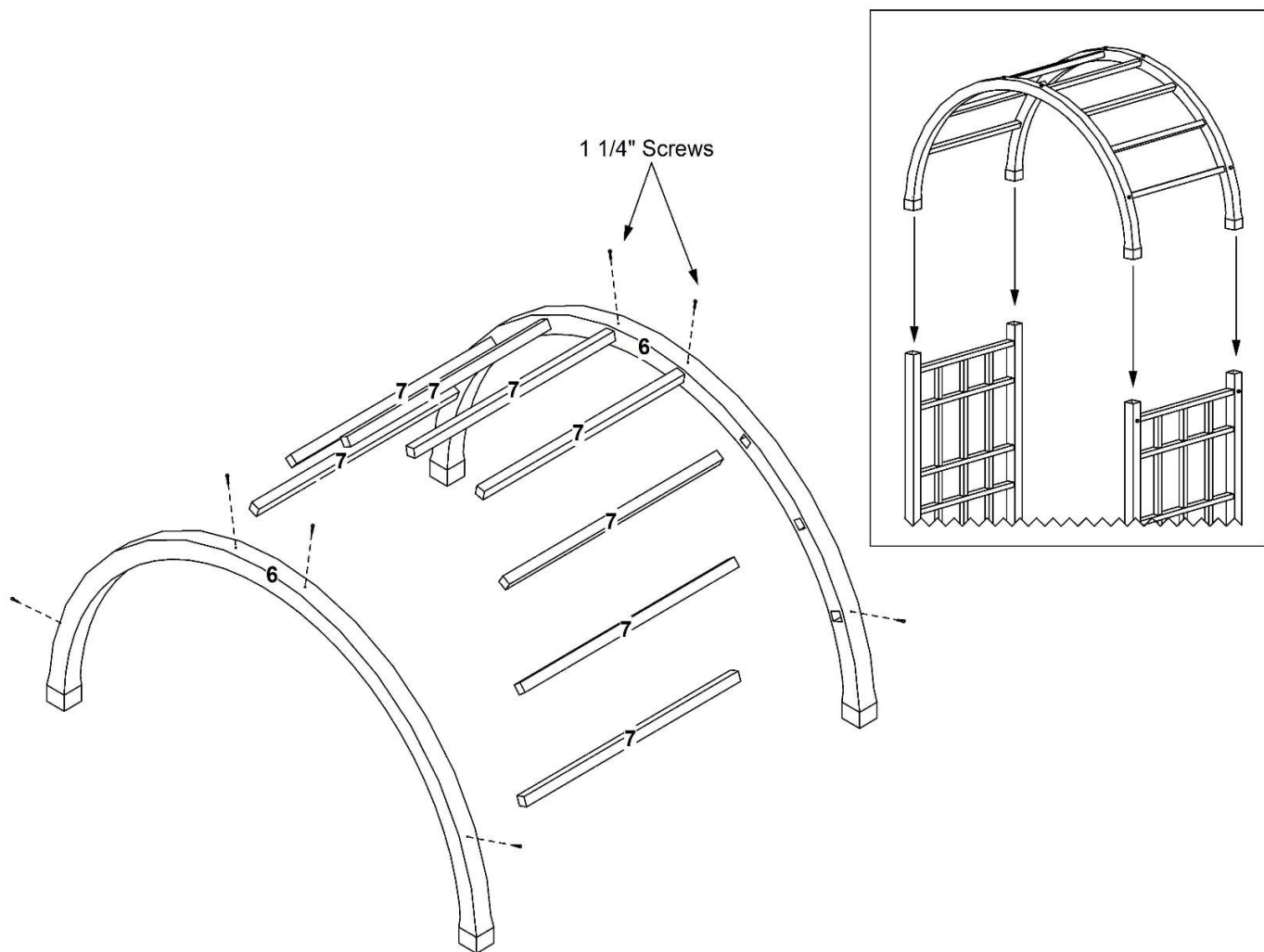


Starting at bottom of 65" left post (part 1) insert one 27½" top/bottom cross rail (part 3) and five 27½" center cross rails (part 4) into holes. DO NOT insert remaining top/bottom cross rail into top hole at this time. Insert free ends of cross rails into 65" right post (part 2). Slide three 58" vertical rails (part 5) through each center cross rail and into bottom cross rail. Separate top of posts just enough to insert remaining 27½" top/bottom cross rail (part 3) into top hole of each post, inserting free end of vertical rails into top cross rail. Using three ¾" screws per post, fasten together arbor side. Be sure all parts are fully inserted into posts before securing.

REPEAT using remining posts and cross rails to make second arbor panel.



Insert eight 27½" arbor top cross rails (part 7) into one 50" arbor top rail (part 6). Insert free ends of arbor top cross rails into remaining 50" arbor top (part 6). Using four 1¼" screws per arbor top rail, screw together arbor top. Be sure that all parts are fully inserted into legs before.

Slide arbor top over ends of each arbor top panel to complete arbor.