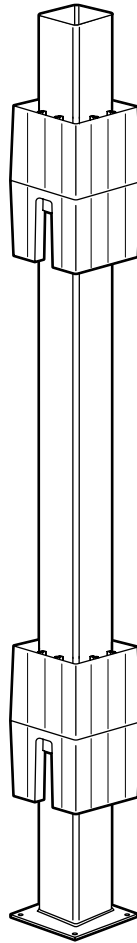




Model # BKT POST SLV MT F

INSTALLATION MANUAL

ARMORGUARD® POST SLEEVE SURFACE MOUNT KIT



Questions, problems, missing parts? Before returning to the store,
call Fibron Customer Service
8 a.m. - 5 p.m., EST, Monday - Friday

1-800-230-7547

FIBRONDECKING.COM

THANK YOU

We appreciate the trust and confidence you have placed in Fibron through the purchase of this post sleeve surface mount kit. We strive to continually create quality products designed to enhance your home. Visit us online to see our full line of products available for your home improvement needs. Thank you for choosing Fibron!

Table of Contents


Table of Contents 2
Safety Information 2
Warranty 2

Pre-Installation 3
Wood Surface Installation 5
Concrete Surface Installation 7


Safety Information

Read and understand this entire manual before you begin the installation of your surface mount.

 **WARNING:** Use extreme caution when using power tools.

 **NOTE:** The surface mount bracket is designed to be securely mounted to a deck structure that meets all applicable codes. The illustrations used in this guideline may not be appropriate in all jurisdictions where the product is sold. To ensure proper fastening, it is recommended that the concrete be a minimum of 4 inches thick underneath the mount unless otherwise specified by local building codes.

For wood applications, it is recommended that the wood structure be a minimum of 4 inches thick underneath the decking and mount unless otherwise specified by local building codes.

 **IMPORTANT:** Please consult local zoning laws in regards to load requirements and bottom space requirements for rails. All supporting structures must be in accordance with applicable building codes. Neighborhood associations and/or historic districts may regulate size, type, placement and ability of railing. Apply for permits if required by local authorities and codes. Ensure compliance prior to installation. Local building code requirements will always supersede any and all suggested procedures and measurements in the following installation. The following installation instructions are intended as a general guideline based on common building practices used in railing installation.

Warranty

20 YEAR PERFORMANCE LIMITED WARRANTY

WHAT IS COVERED

This railing product is covered under a Limited Residential Warranty to protect against checking, splitting, decay, rot and splintering.

WHAT IS NOT COVERED

In no event will the manufacturer be liable for any direct, indirect, incidental, special, consequential, punitive, exemplary, statutory, special, or other, damages based upon the manufacturer products or manufacturer fasteners or resulting, directly or indirectly, from any defect in the manufacturer products or fasteners, including but not limited to damage to, diminution in value of and/or loss of use or enjoyment of, any property or part thereof, whether based on contract, tort, strict liability, statute, regulation or otherwise, even if the manufacturer is expressly advised about the possibility of such damages. Some states do not allow the exclusion or limitation of incidental or consequential damages in certain circumstances, so the above limitation may not apply to you.

Warranty (continued)

In addition, this Limited Warranty does not cover and the manufacturer shall not be liable for any installation, removal or reinstallation costs. The manufacturer does not warrant against and is not responsible for, and no express or implied warranty shall be deemed to cover, any condition attributable to: (1) improper installation of products and/or failure to abide by the manufacturer's written instructions and any applicable laws or building codes, including but not limited to improper structural support, fastening, ventilation or gapping; (2) use of the manufacturer's products beyond normal use or in an application not recommended or permitted by the manufacturer's written instructions and applicable laws and building codes; (3) movement, distortion, collapse or settling of the ground or the supporting structure on which the manufacturer's products are installed; (4) Defects in or failure arising from decking structure resulting from water caused by improper installation, workmanship, maintenance or repair; (5) any Act of God (including but not limited to flooding, hurricane, tornado, wind, earthquake, lightning, hail, etc.); (6) discoloration, fading, spotting or staining from or caused, in whole or in part, by mold, mildew, other fungal growth, organic materials, metallic oxides or particles (including but not limited to rust or corrosion of any fasteners), dirt, other atmospheric or environmental pollutants, foreign substances such as grease or oil, chemicals (including but not limited to those found in cleaners), or normal weathering (defined as natural efflorescence, exposure to sunlight, weather and atmospheric conditions which causes any colored surface to gradually fade, flake, chalk, or accumulate dirt or stains); (7) damage resulting from casualty, fire or exposure to heat sources such as cooking devices or retro-reflective surfaces; (8) the application of paints, stains, surface treatments or other chemical substances including but not limited to cleaners or pesticides; (9) fading, flaking or other deterioration of any paints, stains or other coatings placed on the manufacturer's products; (10) climate change, environmental conditions, static electricity or any cause beyond the control of the manufacturer; (11) variations or changes in color of the manufacturer's products; (12) improper handling, maintenance, storage, abuse or neglect of the manufacturer's products by Purchaser or others; (13) ordinary wear and tear; (14) impact from objects; or (15) any fasteners not supplied or approved by the manufacturer.

No warranty is given with respect to any fasteners other than the fasteners produced by the manufacturer. Other fasteners, whether approved fasteners or otherwise, are subject to only the warranties provided by the manufacturer of the fastener and Purchaser's sole warranty and remedy is with that manufacturer.

Contact the Customer Service Team at 1-800-230-7547 or visit FIBERONDECKING.COM.

Pre-Installation

TOOLS REQUIRED



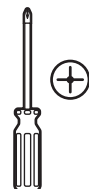
Drill



3/8 in. Drill bit (wood)



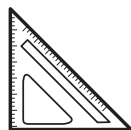
1.4 in. Drill bit (masonry)



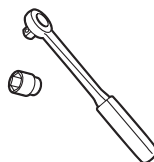
Phillips screwdriver



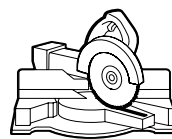
Pencil



Speed square



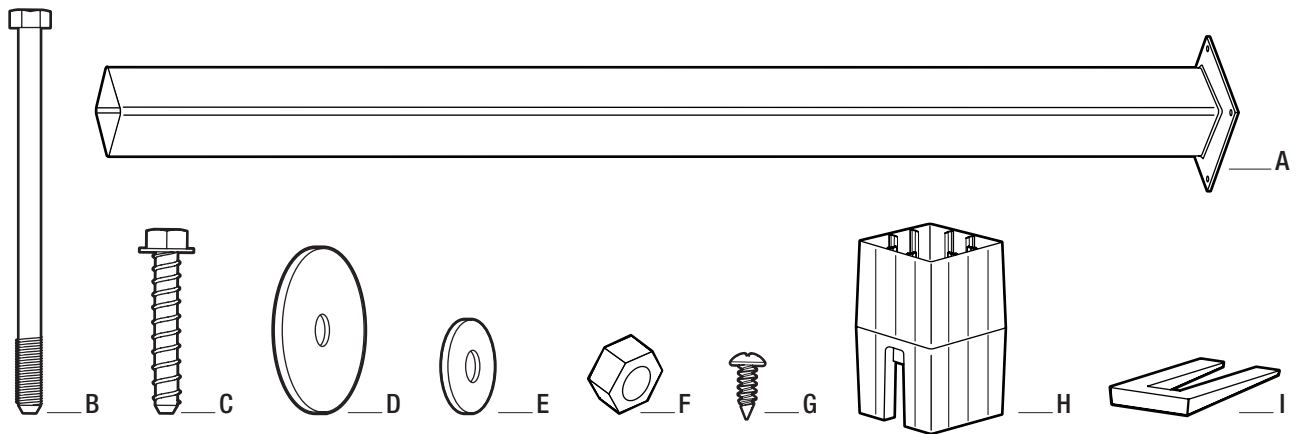
Ratchet wrench



Miter saw (circular saw is also acceptable)

Pre-Installation (continued)

PACKAGE CONTENTS

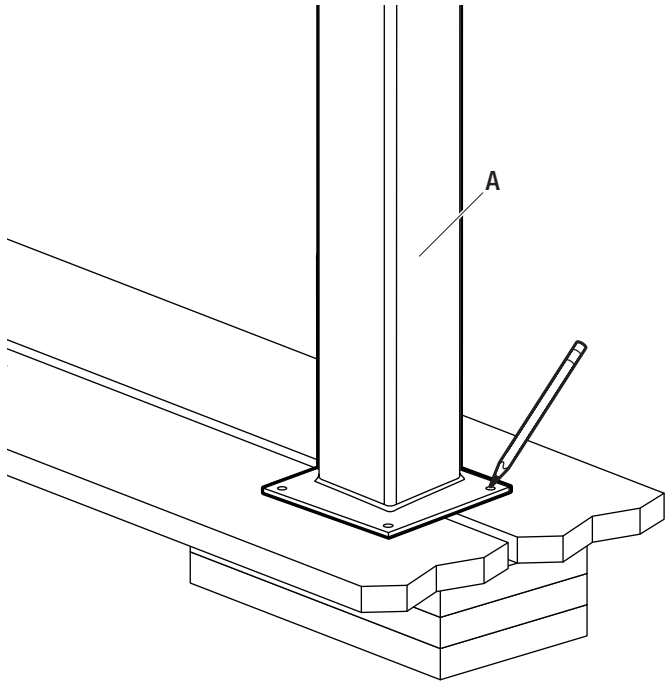


Part	Description	Quantity
A	Post mount	1
B	5/16-18 in. x 6 in. Bolt	4
C	1/4 in. x 3 in. Concrete bolt	4
D	Fender washer	8
E	5/16 in. Small washer	4
F	5/16 in. Hex nut	4
G	#10 x 1 in. Phillips pan head rail stabilizer screw	4
H	Rail stabilizer	2
I	Leveling wedge	2

Wood Surface Installation

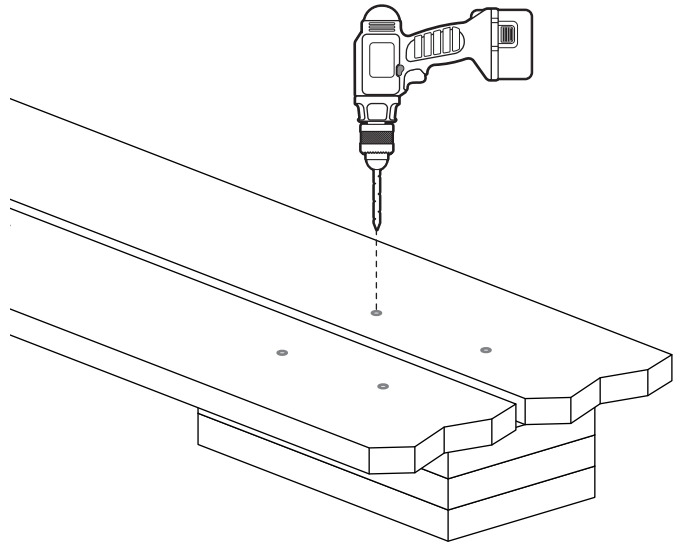
1 Marking the mounting location

- Use the base of the post mount (A) as a template and mark the four corner holes on the deck surface. If necessary, mark inside the square of the post mount (A) on the deck surface to create a drainage hole.



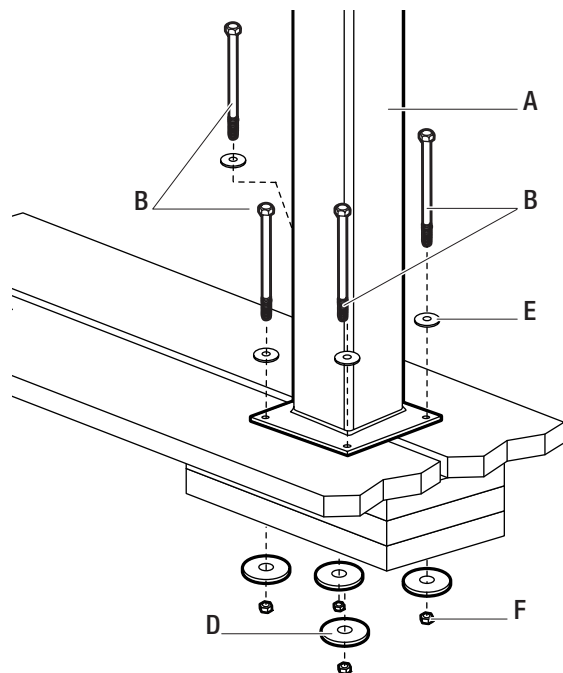
2 Drilling the holes

- Drill four 3/8 in. holes at the marked locations, drilling through the deck board and the reinforcement boards. If necessary, drill a 3/8 in. drainage hole in square through the deck board and reinforcement boards for drainage.
- Align the post mount holes over the drilled holes.



3 Attaching the mounting bracket

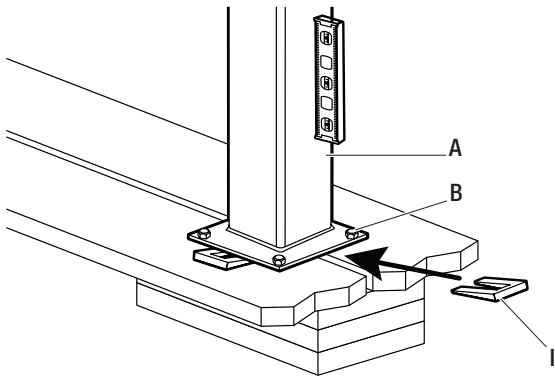
- Insert 5/16-18 x 6 in. bolts (B) with 5/16 small washers (E) through the bracket holes into the drilled holes and attach two fender washers (D), double stacked, and a nut (F) to each bolt under the deck.
- Only hand-tighten nuts at this time.



Wood Surface Installation (continued)

4 Securing the post

- Use a bubble level to check for plumb and level of the post. If adjustment is required, loosen the nuts to allow for insertion of the leveling wedges (I) between the bottom of the post and the top of the deck. Place the plastic wedge (I) under the post on any side where the post is leaning.
- Tighten the four hex bolts (B) and recheck the post for plumb. If further adjustment is required, loosen the nuts, and move the leveling wedge inward or outward until plumb and level is achieved. Re-tighten the nuts securely.

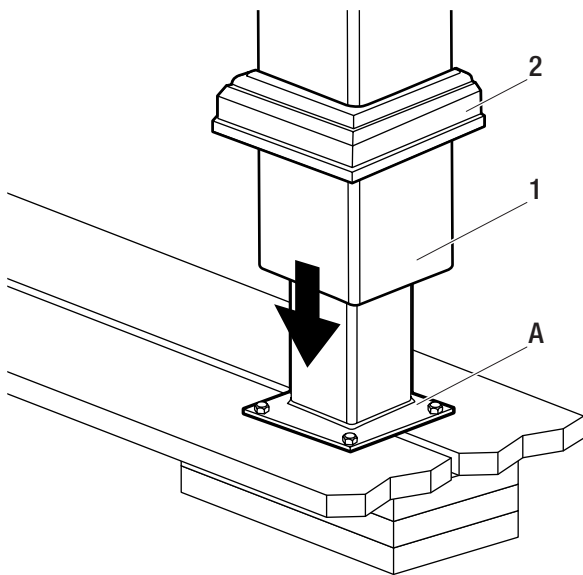


6 Adding a post sleeve

- Slide the post sleeve (1) (not included) over the post mount (A) until it contacts the base of the post mount (A).

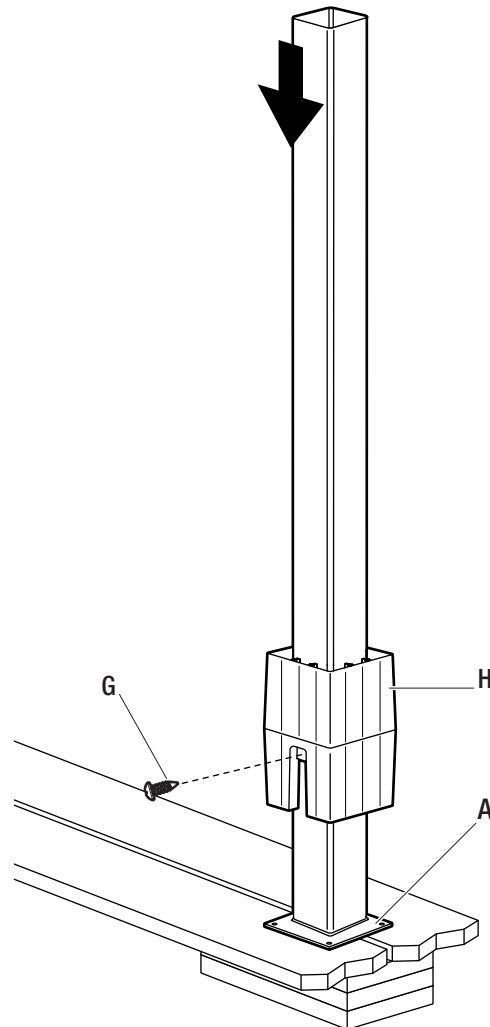
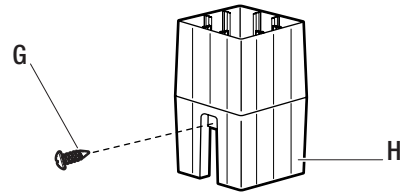


NOTE: If using a post sleeve moulding (2), slide the post sleeve (1) down into the post sleeve moulding (2) prior to securing any railings.



5 Installing the rail stabilizers

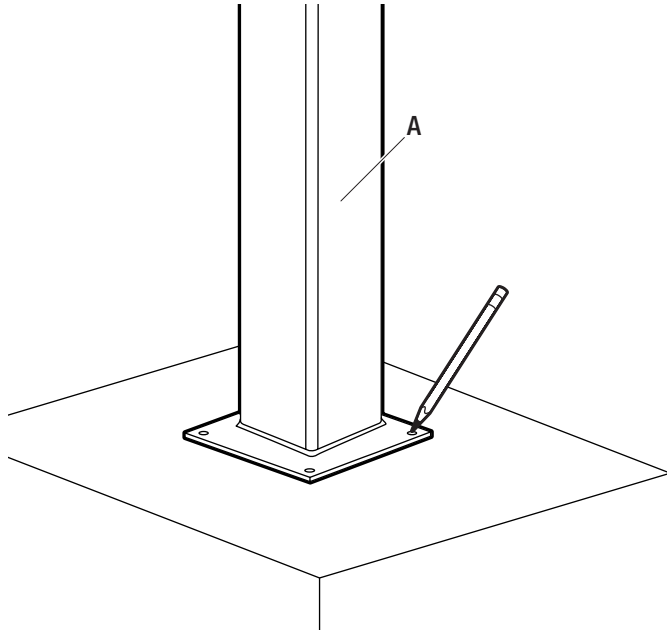
- Slide one plastic rail stabilizer (H) onto the post mount (A). The slotted opening can be positioned in any direction.
- Determine the height of the bottom rail. The bottom rail mounting screws will screw into the rail stabilizer (H).
- Secure the rail stabilizer (H) to the post mount (A) using one #10 x 1 in. Phillips pan head rail stabilizer screw (G) through the slotted area of the rail stabilizer (H).
- Repeat for the top rail stabilizer (H). The top rail mounting screws will screw into the the top rail stabilizer (H).



Concrete Surface Installation

1 Marking the mounting location

- Use the base of the post mount (A) as a template and mark the four corner holes for the wedge-bolt anchors (C).

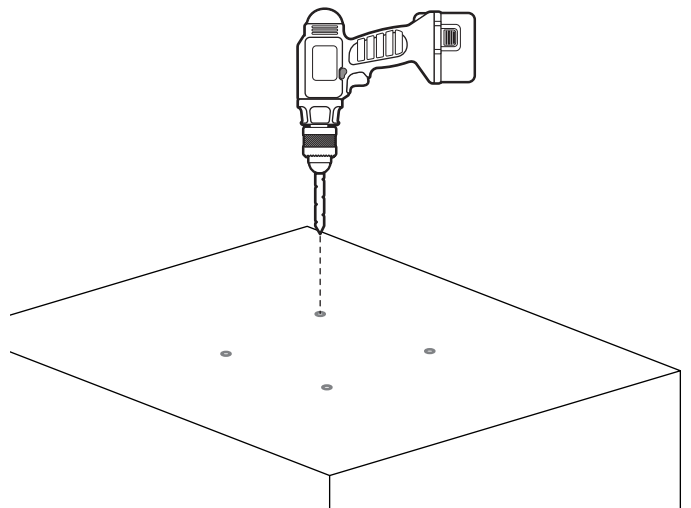


2 Drilling the holes



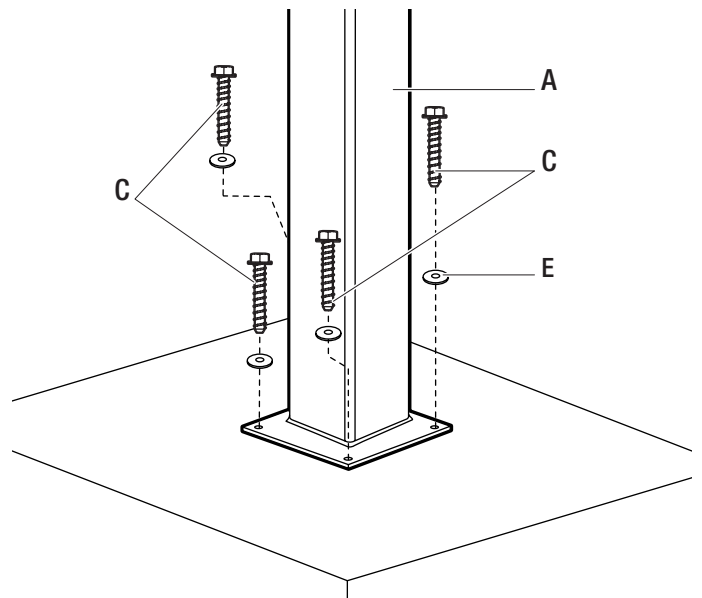
NOTE: Aged concrete could be more porous and more likely to break, causing difficulty with securing the anchor bolts. If this occurs, it is recommended to drill holes 1 in. diameter into the concrete surface, fill the holes with a fast setting concrete or like material, secure the surface mount/bolts and allow the concrete to fully set.

- Using a 1/4 in. masonry drill bit, drill the holes into the concrete base to a depth of at least 3-1/2 in.
- Ensure the holes are clean of dust and debris prior to inserting bolts.
- Align the post mount (A) holes over the drilled holes.



3 Attaching the mounting bracket

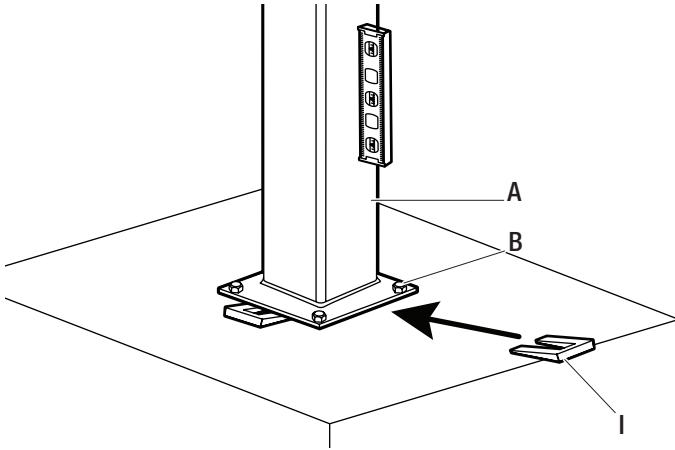
- Insert four 1/4 x 3 in. concrete bolts (C) with 5/16 small washers (E) into the mounting holes using a socket wrench. Leave a 3/8 in gap to allow for adjustment of the post mount (A).



Concrete Surface Installation (continued)

4 Securing the post

- Use a bubble level to check for plumb and level of the post. If adjustment is required, place the leveling wedge (I) under the post on any side where the post is leaning.
- Tighten down the four concrete bolts until the head of the concrete bolt is firmly seated with the post base. Do not overtighten the bolts. If using a power impact wrench, the maximum torque setting is 115 ft.-lbs.

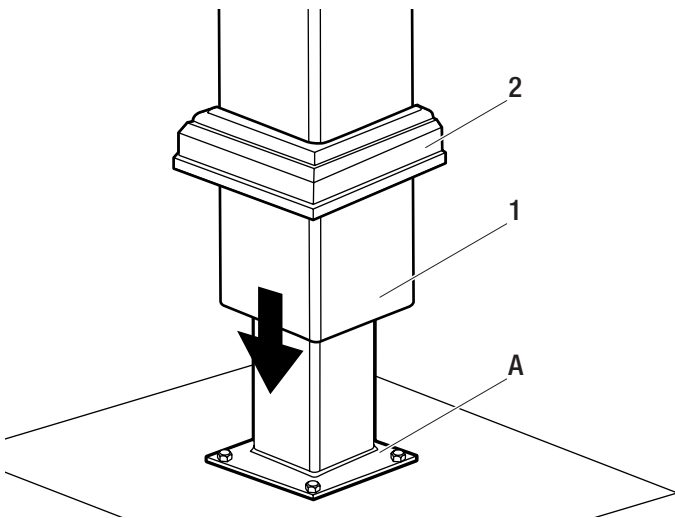


6 Adding a post sleeve

- Slide the post sleeve (1) (not included) over the post mount (A) until it contacts the base of the post mount (A).

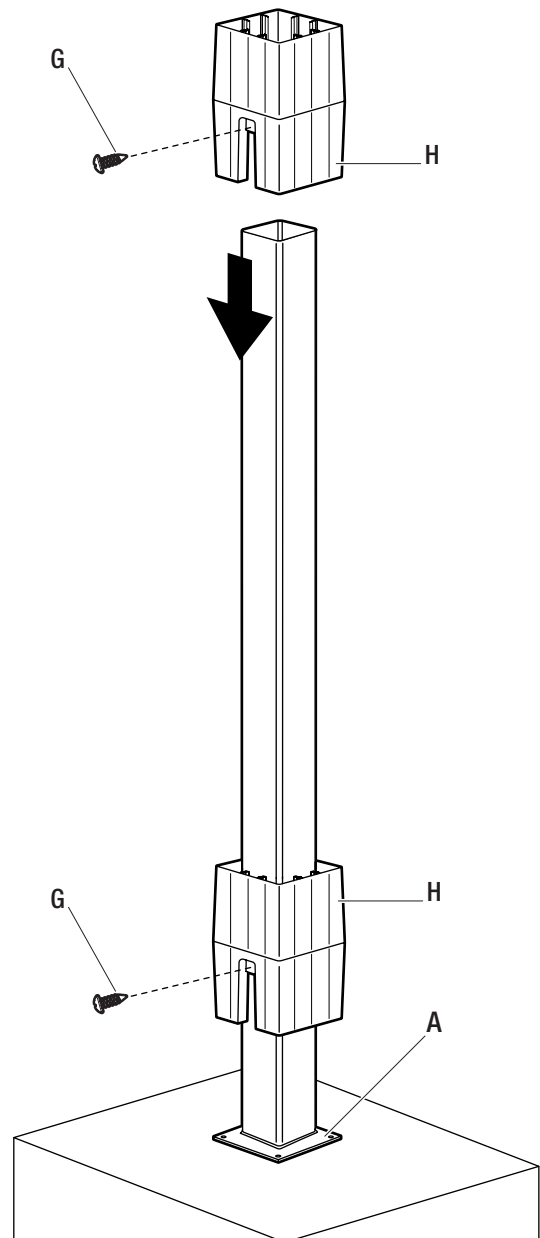


NOTE: If using a post sleeve moulding (2), slide the post sleeve (1) down into the post sleeve moulding (2) prior to securing any railings.



5 Adding a post sleeve

- Slide one plastic rail stabilizer (H) onto the post mount (A). The slotted opening can be positioned in any direction.
- Determine the height of the bottom rail. The bottom rail mounting screws will screw into the rail stabilizer (H).
- Secure the rail stabilizer (H) to the post mount (A) using one #10 x 1 in. Phillips pan head rail stabilizer screw (G) through the slotted area of the rail stabilizer (H).
- Repeat for the top rail stabilizer (H). The top rail mounting screws will screw into the the top rail stabilizer (H).





Questions, problems, missing parts? Before returning to the store,
call Fiberon Customer Service
8 a.m. - 5 p.m., EST, Monday - Friday

1-800-230-7547

FIBERONDECKING.COM

Retain this manual for future use.