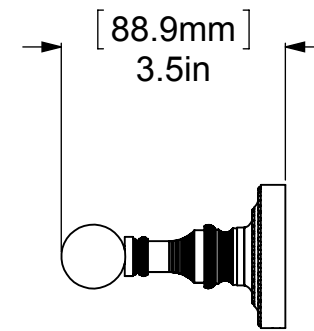
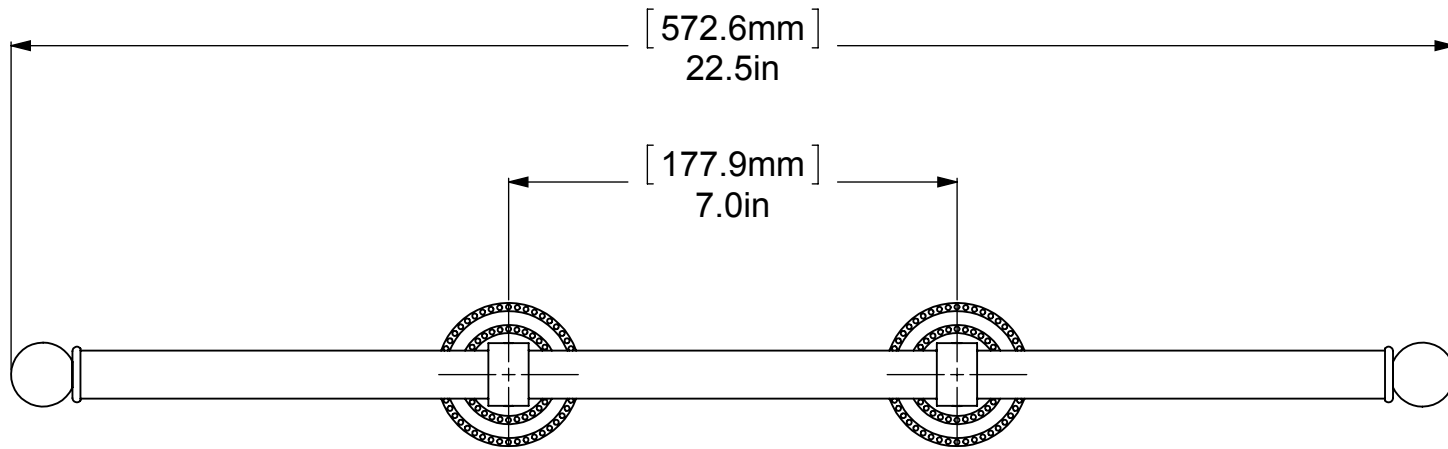
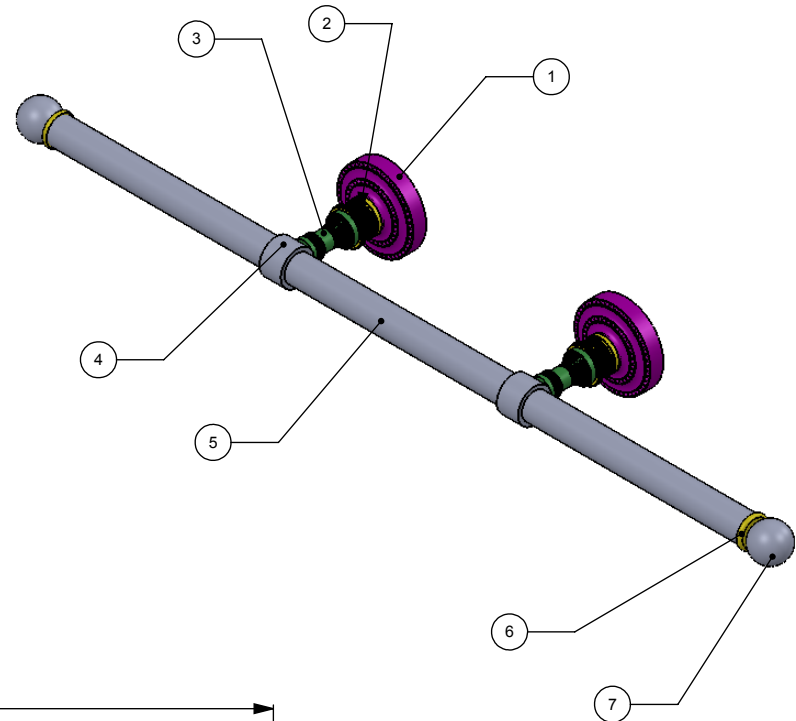


ITEM NO.	P/N	Description	QTY.
1	BPDT	BACKPLATE	2
2	NKSL-58	Neck	2
3	NKSL-25	SUPPORT	2
4	HB1T-1	HUB	2
5	TU34-6.5	MID TUBE	3
6	CRRD-34	CHECK RING	2
7	BL1T-1	END BALL	2




UNLESS OTHERWISE STATED

.X	±.3mm
.XX	±.15mm
.XXX	±.008mm

COPYRIGHT © Allied Brass 2016



THIRD ANGLE PROJECTION

DRAWN	6/13/2016	I.M	MATERIAL:	BRASS	FINISH	TBD
CHECKED	6/13/2016	P.D	DESCRIPTION:		QUANTITY	TBD
APPROVED	6/13/2016	R.A	GUEST TOWEL BAR		DRAWING No.	REV
					DT-GT-3	0
				SCALE	1:3	SHEET: 01 A4