

DUSK-TO-DAWN

SPEC SHEET



Commercial Electric's Outdoor High-Output LED Wall Pack and Area Security Light with integral Dusk to Dawn photocell features high-performance LEDs saving 85% on energy bills. Its dimensions match most 150-Watt traditional metal halide commercial wall packs allowing for easy upgrades and replacements. Dimming feature enables the user to control the amount of light output, from ambient to high-output brightness of 6,800-Lumen. The Dual-Control Enabled feature allows for both Dusk to Dawn operation for automatic nighttime on/daytime off ensuring efficient energy usage or normal Switch-Controlled operation for more hands on control.

LED TECHNOLOGY		LIGHTING PERFORMANCE	
LUMENS	6800		
SYSTEM WATTAGE	50W		
MOUNTING	Wall Mount		
FREQUENCY	50-60 HZ		
THD	<20%		
PF	>0.9		
AMBIENT OPERATING RANGE	-20-40°C		
INPUT VOLTAGE	120-277V		
EFFICACY	>136 LM/W		
LED CHIP	Lumileds® LED		
DRIVER	YG® driver technology		
PHOTOCELL	Yes		
DIMMABLE	Yes (0-10V)		
DRIVER EFFICIENCY	>85%		
STANDARD LIFETIME	>50,000 hours		
STANDARD WARRANTY	5 Years		
WATER PROOFING GRADE	IP65		
WEIGHT	12.12 lbs		
CCT	4000 Kelvin (Bright White)		
DIMENSIONS	14.3" x 7.5" x 9.2"		

LIGHT APPEARANCE (CCT)	
4000K	
	

PRODUCT PERFORMANCE AT A GLANCE

SYSTEM WATTAGE	LED WATTAGE	LUMENS	LP/W	CRI	REPLACES (MH)
50W	45W	6800 lm	136 lm/w	≥70	175W

HOUSING

High-grade commercial quality die-cast aluminum housing with UV-stabilized boroscillate prismatic glass lens, mounted with stainless steel hardware.

OPTICS

Direct LED distribution with white reflective light distribution refractor. Prismatic glass lens reduces glare while providing even and wide light distribution.

FINISH

Fade, weather, and abrasion resistant, electrostatically applied, thermally cured, triglycidyl isocyanurate (TGIC) textured polyester powdercoat finish. Paint is dark bronze.

IP RATING & LISTINGS

LED light engine is weather proof rated IP65.
DLC 4.2, cULus, FCC Certified

MOUNTING

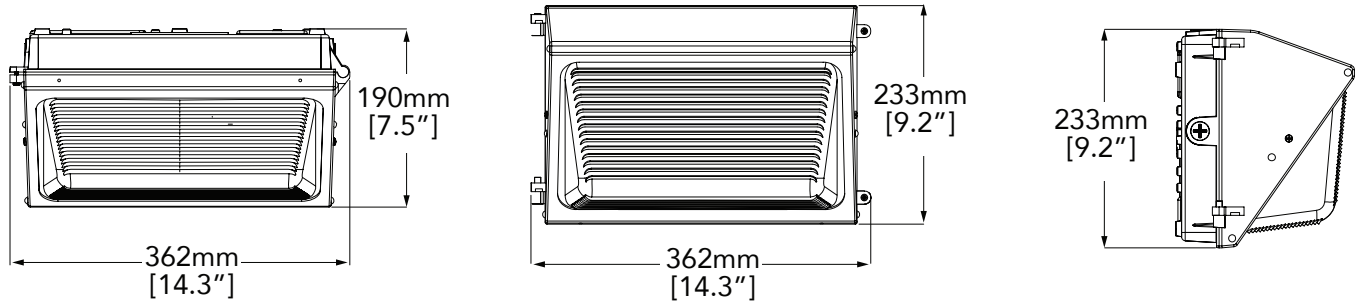
Easy knock-outs on back box allows mounting to any standard 3 1/2" to 4" square and octagonal or 4 inch round electrical junction boxes. Can also be flush mounted to any surface and wired via conduit entries.

APPLICATION

Ideal for both residential and commercial applications requiring high brightness and a large coverage area. Perfect for wall perimeter lighting, garages, large backyards, commercial loading bays, warehouses, apartment complexes, hotels, office and retail complexes.

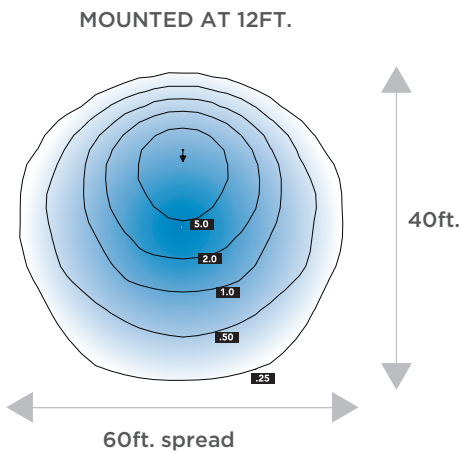
*All results according to IESNA - LM79-2008
*Light Output reported as total integrated lumens (light source & fixture)

PRODUCT LINE DRAWING

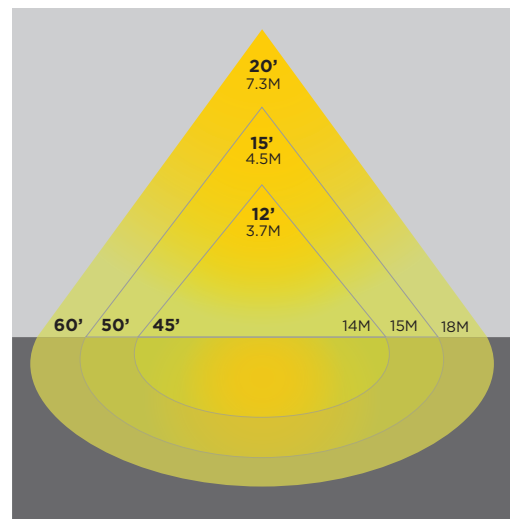


SUGGESTED MOUNTING HEIGHT:
8-20FT. (2.4-6M)

2D PHOTOMETRIC VIEW



3D PHOTOMETRIC VIEW



APPLICATIONS

